



US00D967091S

(12) **United States Design Patent**
Lai et al.

(10) **Patent No.:** **US D967,091 S**
(45) **Date of Patent:** **** Oct. 18, 2022**

(54) **MONITOR**

(71) Applicant: **Shenzhen Oceanwing Smart Innovations Technology Co., Ltd,**
Changsha (CN)

(72) Inventors: **Jihui Lai**, Shenzhen (CN); **Chenyu Zhang**, Shenzhen (CN); **Yingpeng Li**, Shenzhen (CN); **Qin Tan**, Shenzhen (CN)

(73) Assignee: **Shenzhen Oceanwing Smart Innovations Technology Co., Ltd,**
Shenzhen (CN)

(**) Term: **15 Years**

(21) Appl. No.: **29/763,649**

(22) Filed: **Dec. 23, 2020**

(30) **Foreign Application Priority Data**

Aug. 19, 2020 (CN) 202030475292.0

(51) **LOC (13) Cl.** **14-02**

(52) **U.S. Cl.**
USPC **D14/371**

(58) **Field of Classification Search**
USPC D14/126, 300, 314, 315, 335, 336, 340,
D14/371, 372, 373, 374, 375, 376, 377,
D14/378, 379, 380, 381, 382
CPC G06F 1/1601; G06F 1/1637; G06F 1/1641;
G06F 1/1643; G06F 1/1645; G06F
1/1647; G06F 1/1649; G06F 1/165; G06F
1/1652; G06F 1/1656

See application file for complete search history.

(56) **References Cited**

U.S. PATENT DOCUMENTS

D273,584 S * 4/1984 McGarvey D14/335
D453,021 S * 1/2002 Hasegawa D14/371

6,437,974 B1 * 8/2002 Liu G09F 9/35
345/905
D493,454 S * 7/2004 Andre D14/371
D634,316 S * 3/2011 Van Den Nieuwenhuizen
G09F 9/35
D14/371
D658,175 S * 4/2012 Goetzen D14/371
D697,506 S * 1/2014 Bianco D14/371
D703,636 S * 4/2014 Falck D14/207
D806,066 S * 12/2017 McWilliam D14/314
D841,644 S * 2/2019 McWilliam D14/314
D912,639 S * 3/2021 Chang D24/185
D938,431 S * 12/2021 Han D14/440

* cited by examiner

Primary Examiner — Antoine Duval Davis

(74) *Attorney, Agent, or Firm* — Banner & Witcoff, Ltd.

(57) **CLAIM**

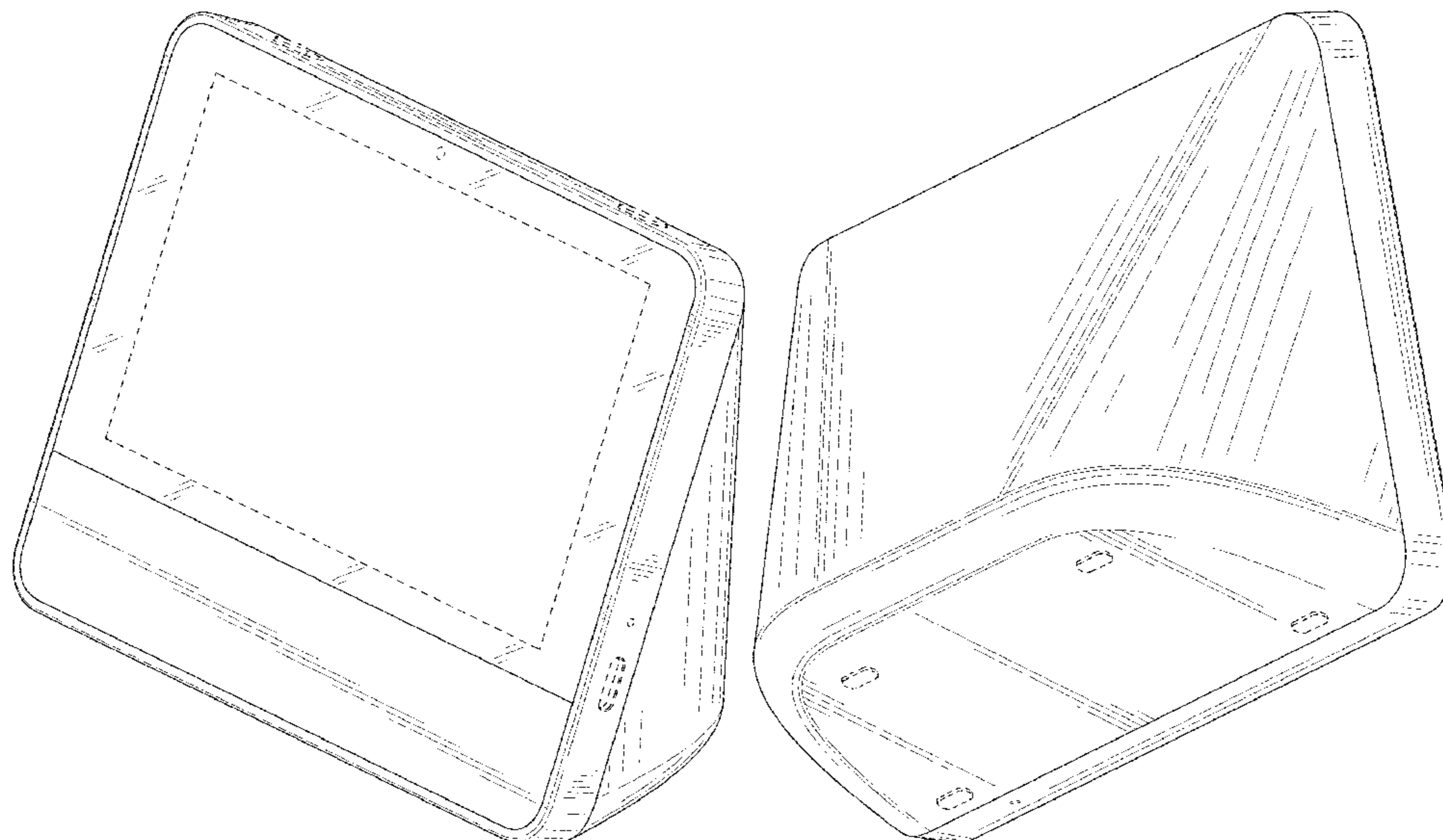
The ornamental design for a monitor, as shown and described.

DESCRIPTION

FIG. 1 is a front top perspective view of a monitor showing our new design;
FIG. 2 is a rear bottom perspective view thereof;
FIG. 3 is a front view thereof;
FIG. 4 is a rear view thereof;
FIG. 5 is a left side view thereof;
FIG. 6 is a right side view thereof;
FIG. 7 is a top view thereof; and,
FIG. 8 is a bottom view thereof.

The broken lines depict portions of the monitor that form no part of the claimed design.

1 Claim, 8 Drawing Sheets



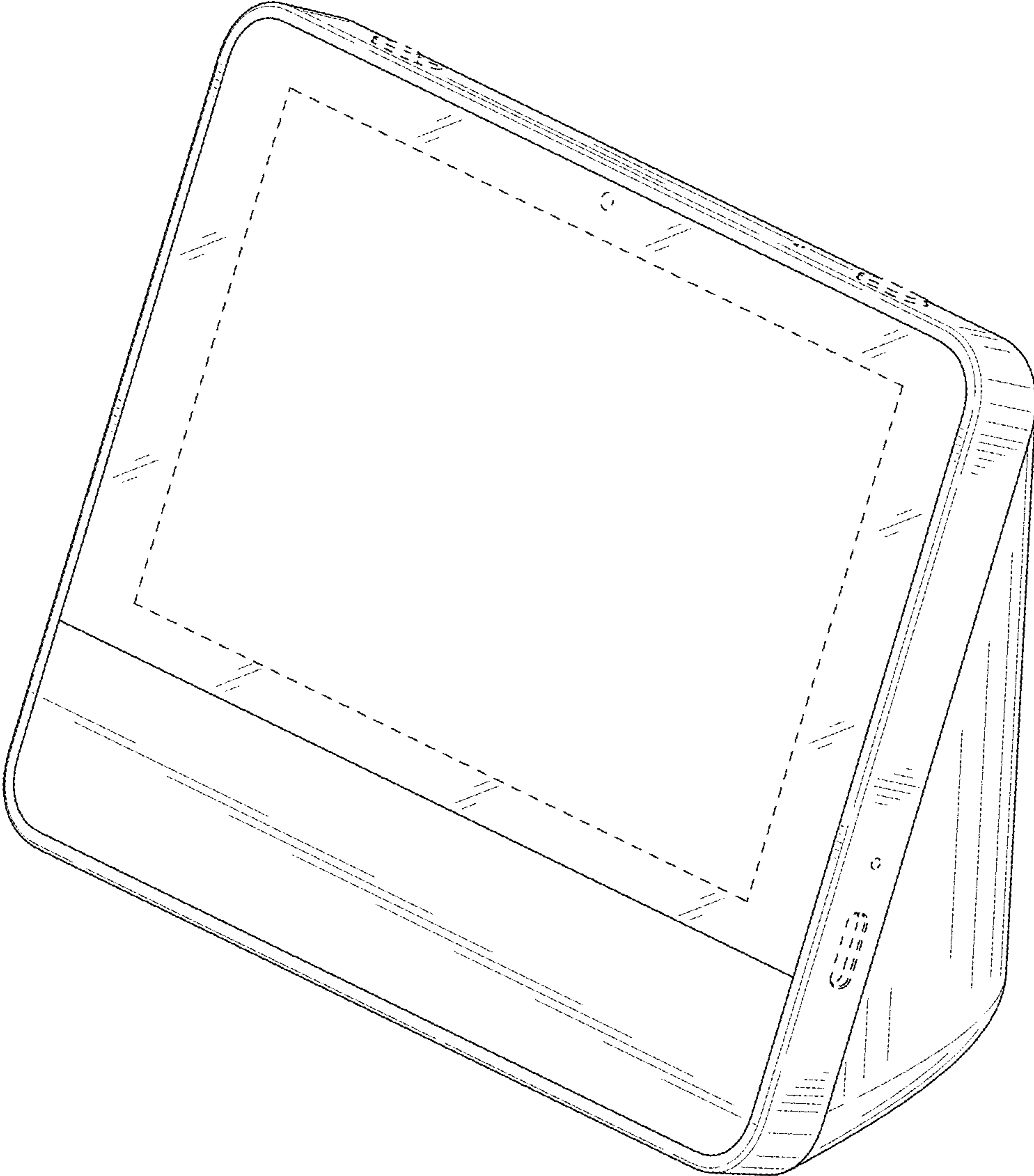


FIG. 1

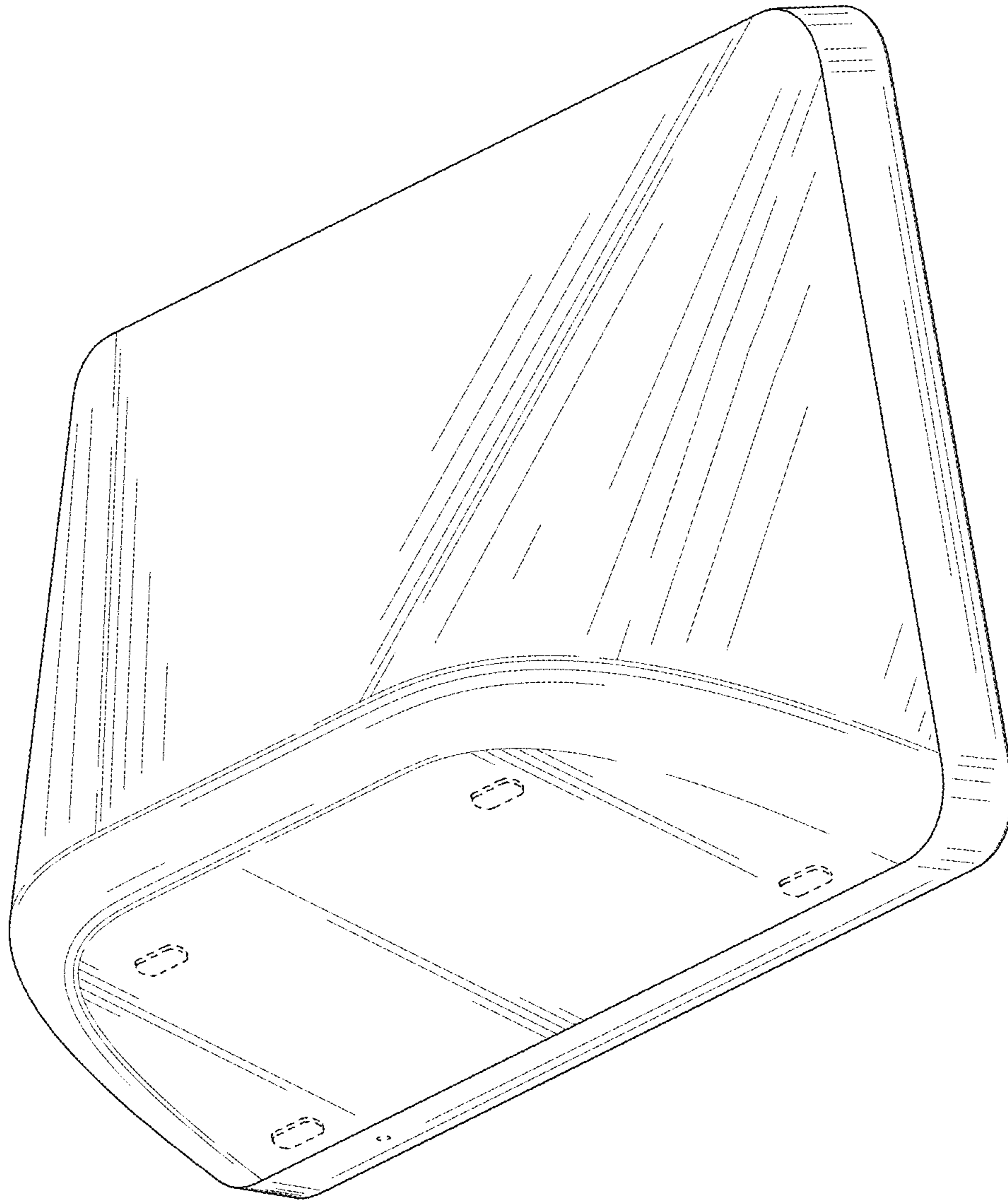


FIG. 2

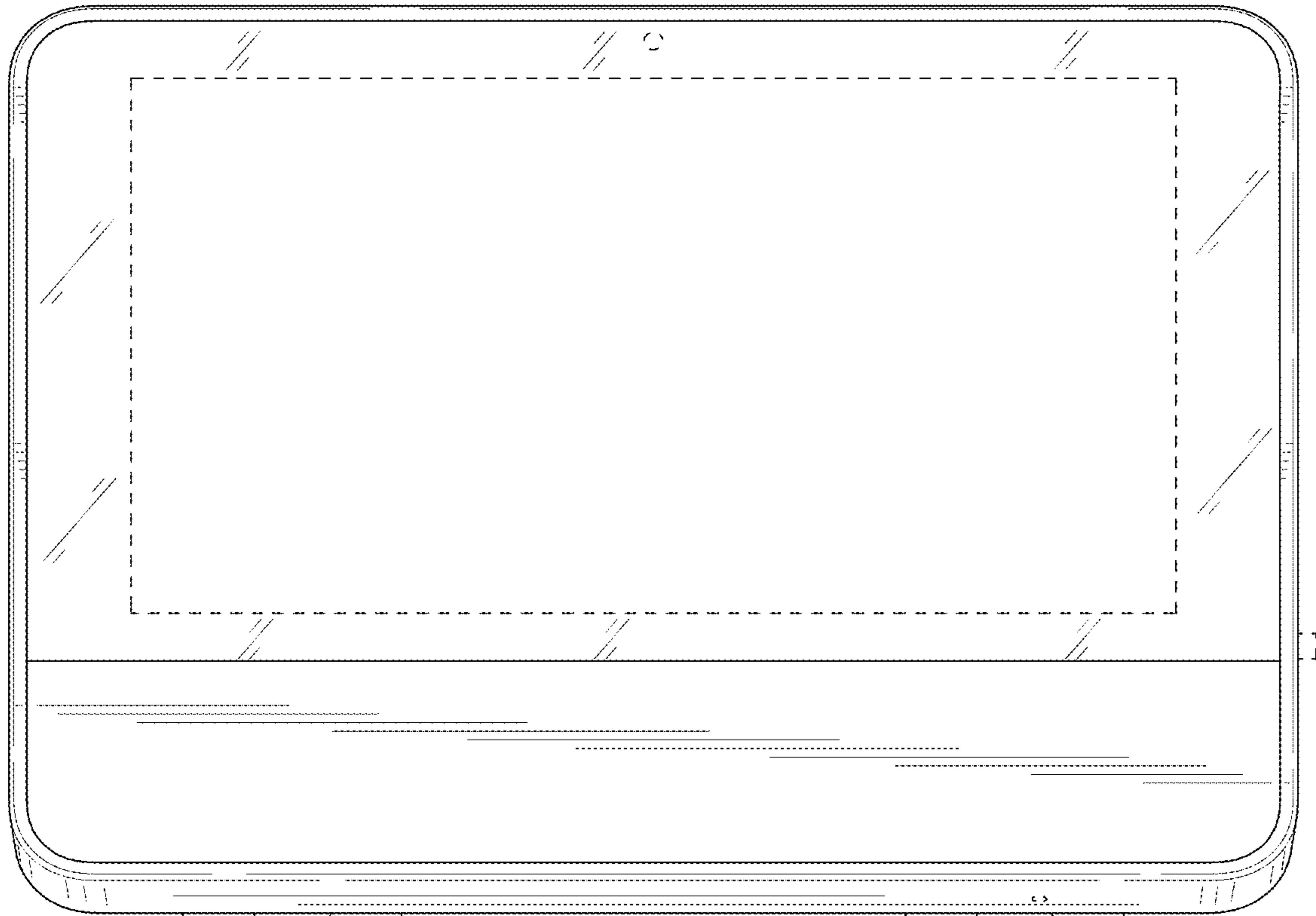


FIG. 3

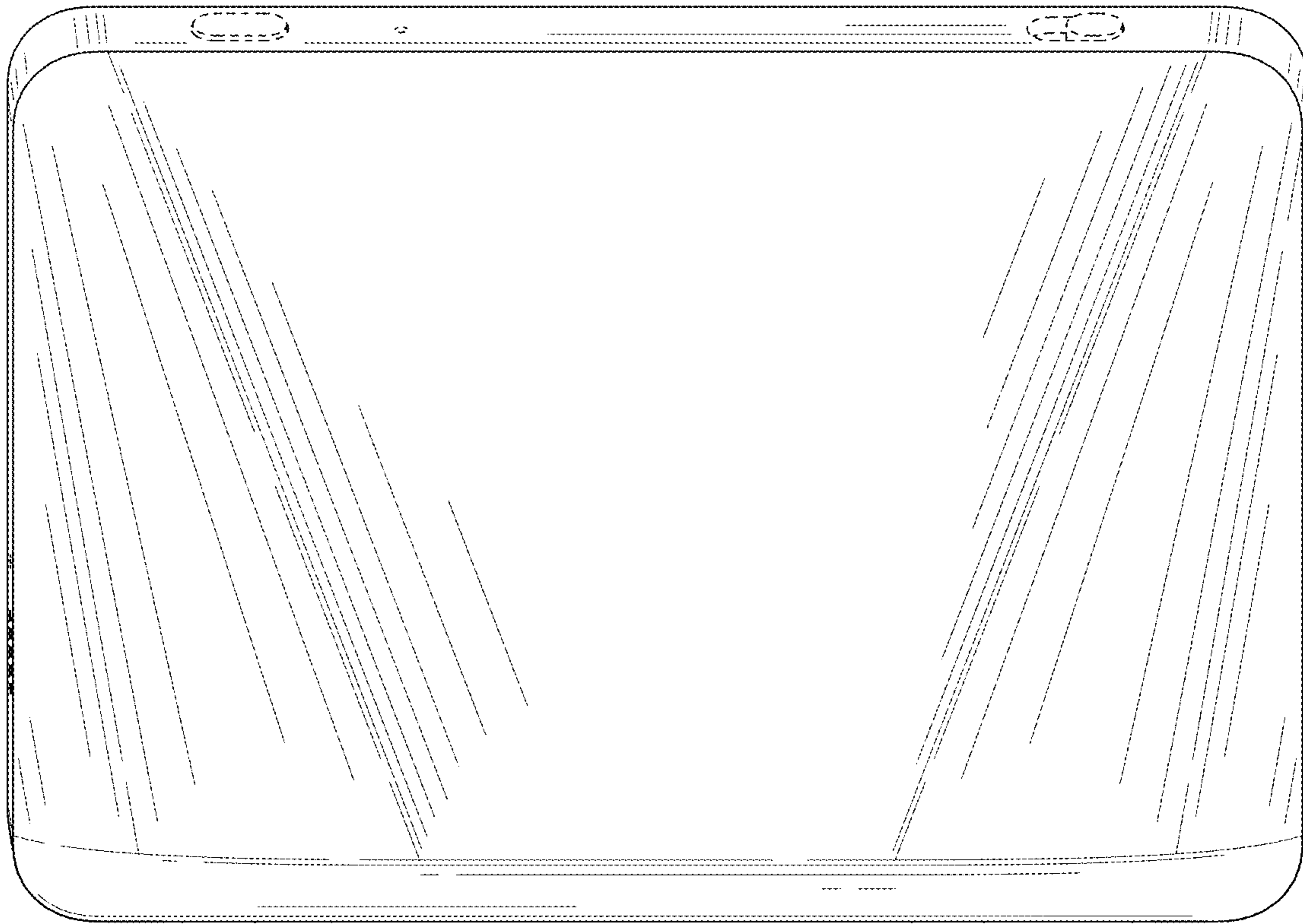


FIG. 4

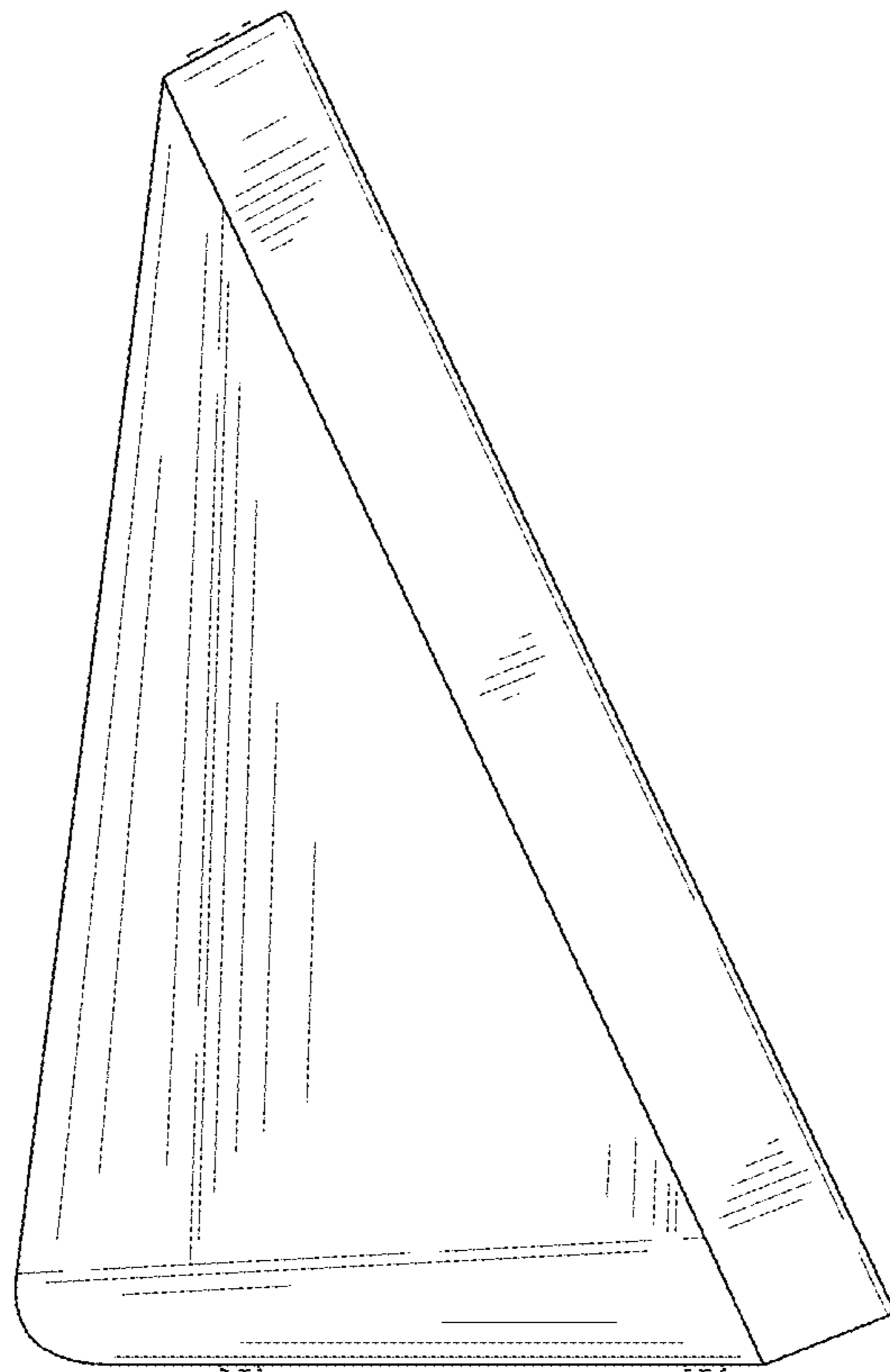


FIG. 5

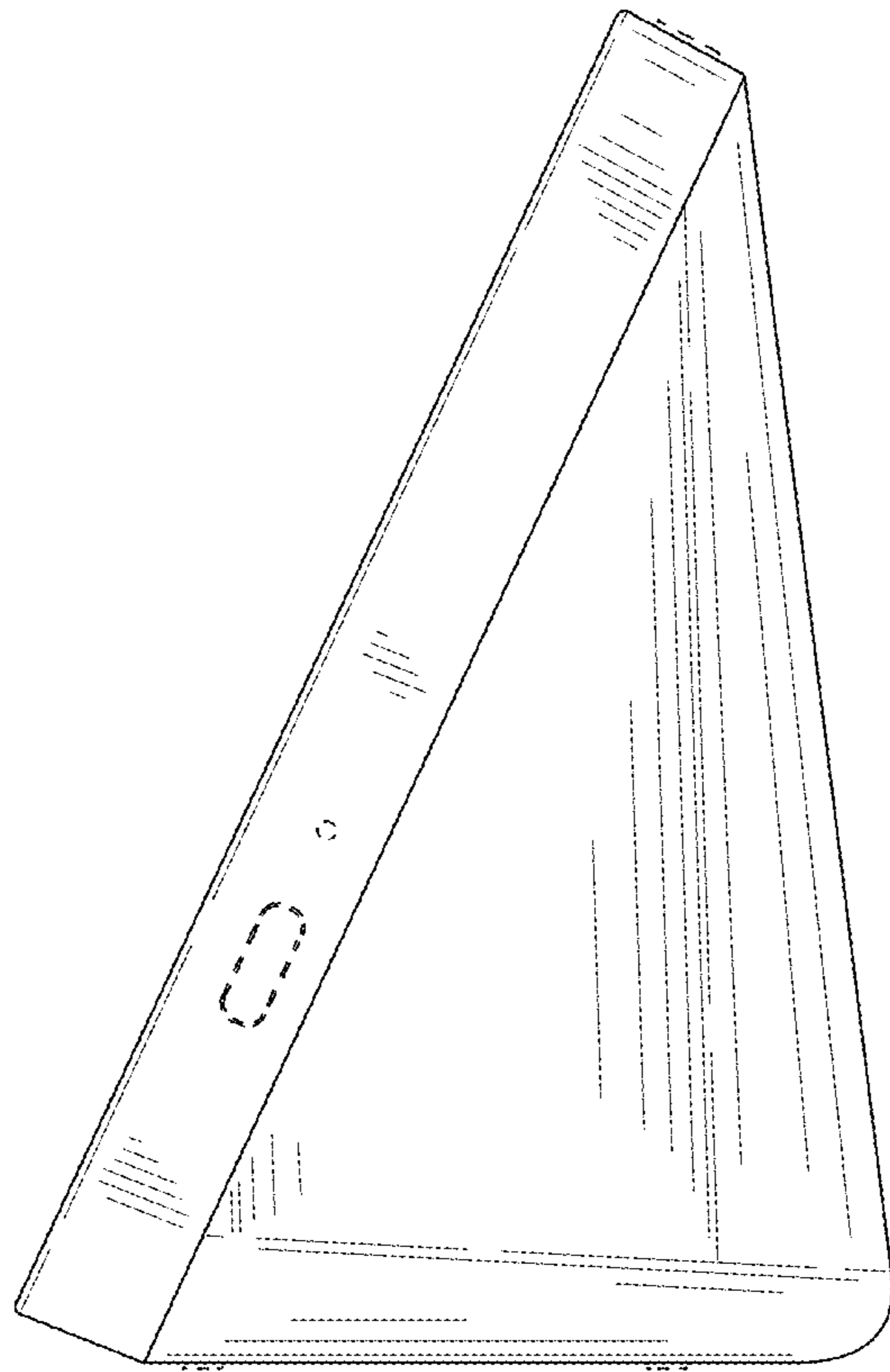


FIG. 6

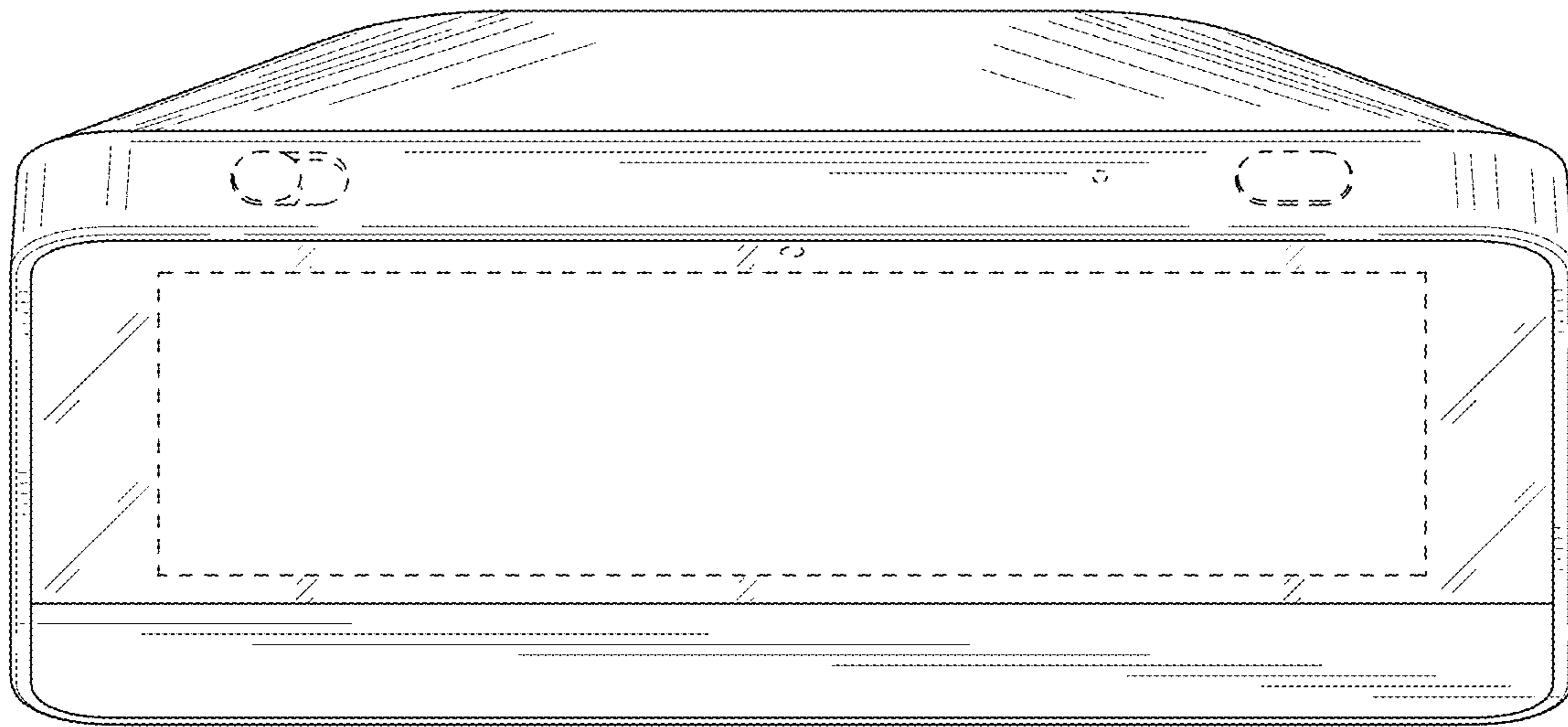


FIG. 7

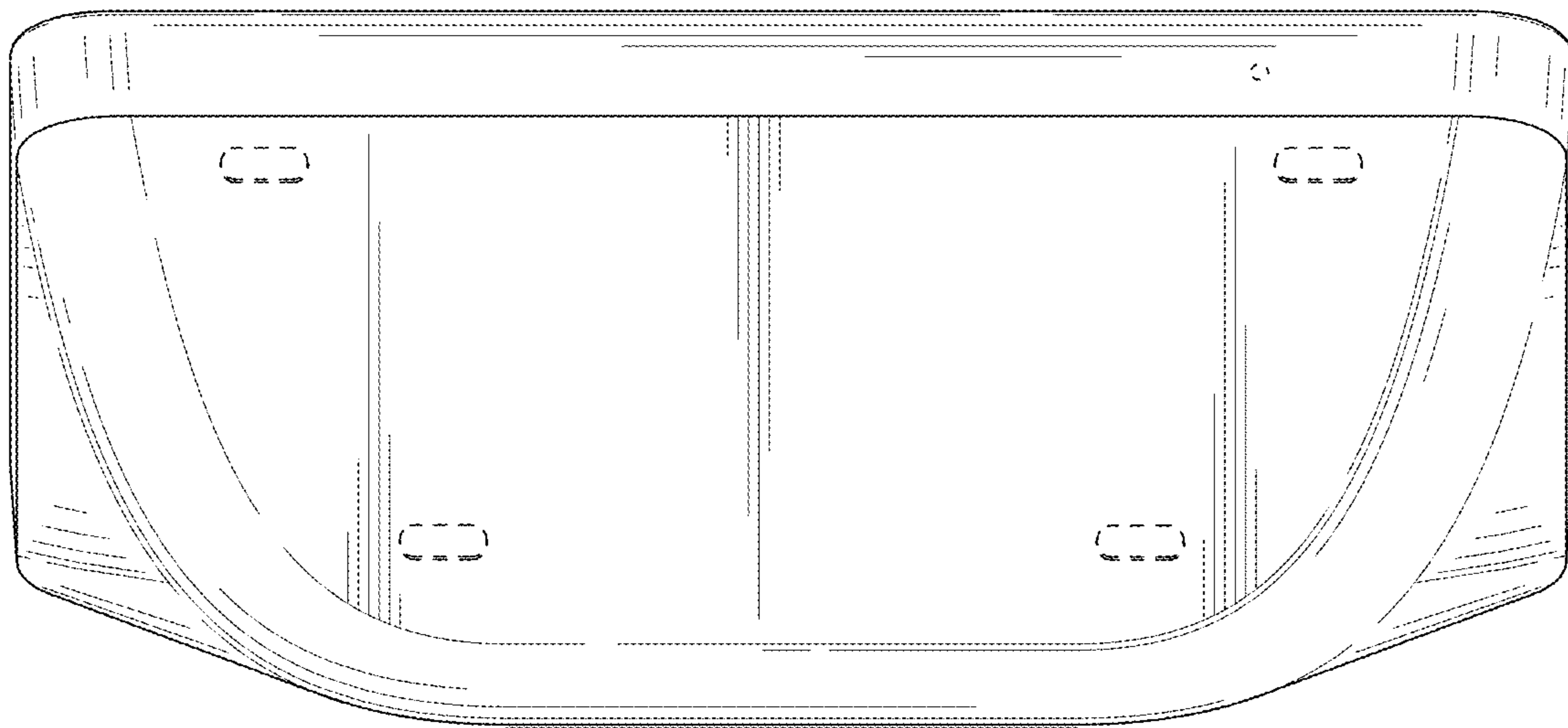


FIG. 8