



US00D967089S

(12) **United States Design Patent**
Lee et al.

(10) **Patent No.:** **US D967,089 S**
(45) **Date of Patent:** **** *Oct. 18, 2022**

(54) **MOBILE PHONE**

(71) Applicant: **LG ELECTRONICS INC.**, Seoul (KR)

(72) Inventors: **Jonghak Lee**, Seoul (KR); **Hongkyu Park**, Seoul (KR); **Jinki Min**, Seoul (KR); **Sojin Kim**, Seoul (KR); **Seunghyun Ji**, Seoul (KR)

(73) Assignee: **LG ELECTRONICS INC.**, Seoul (KR)

(*) Notice: This patent is subject to a terminal disclaimer.

(**) Term: **15 Years**

(21) Appl. No.: **29/733,752**

(22) Filed: **May 6, 2020**

(30) **Foreign Application Priority Data**

Nov. 7, 2019 (JP) 2019-024819

(51) **LOC (13) Cl.** **14-03**

(52) **U.S. Cl.**
USPC **D14/341**

(58) **Field of Classification Search**
USPC D14/336, 341, 342, 345, 348, 371, 374,
D14/378, 379, 426, 432, 439, 126, 129,
(Continued)

(56) **References Cited**

U.S. PATENT DOCUMENTS

D737,794 S * 9/2015 Lee D14/138 G
D747,301 S * 1/2016 Lee D14/248
(Continued)

FOREIGN PATENT DOCUMENTS

GB 8203667000-1000 * 5/2019
IN 269850-0001 * 8/2015

OTHER PUBLICATIONS

First Foldable Tablet Phone, tabletmonkeys.com, Sep. 5, 2017.
<https://tabletmonkeys.com/first-foldable-tablet-phone-zte-axon-multy-to-launch-in-october-according-to-leak/> (Year: 2017).*

(Continued)

Primary Examiner — Llorellys Martinez

Assistant Examiner — Kwabena A. Ankobiah

(74) *Attorney, Agent, or Firm* — Birch, Stewart, Kolasch & Birch, LLP

(57) **CLAIM**

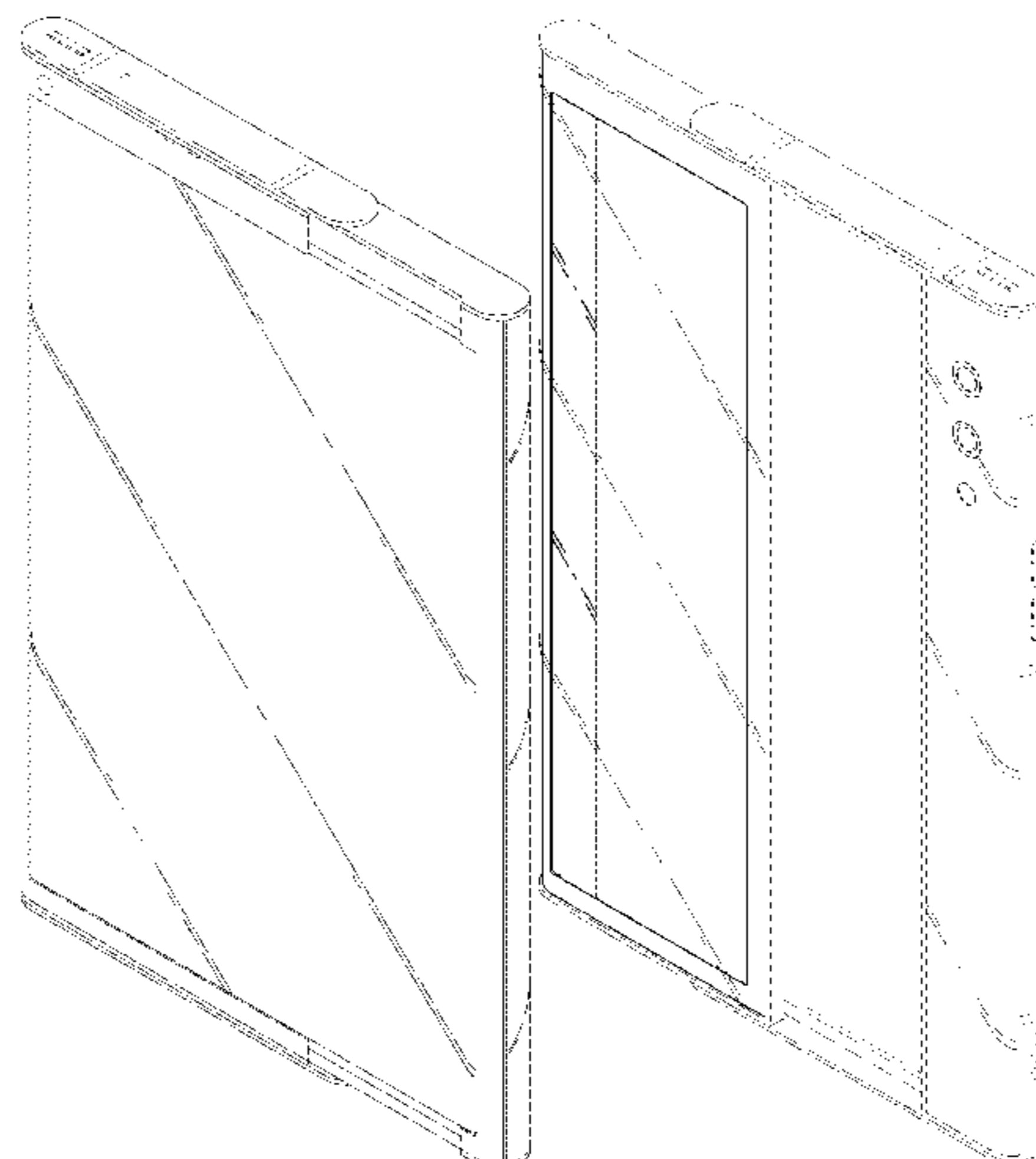
The ornamental design for a mobile phone, as shown and described.

DESCRIPTION

FIG. 1 is a front perspective view of the mobile phone showing our new design;
FIG. 2 is a front view thereof;
FIG. 3 is a rear view thereof;
FIG. 4 is a left side view thereof;
FIG. 5 is a right side view thereof;
FIG. 6 is a top plan view thereof;
FIG. 7 is a bottom plan view thereof;
FIG. 8 is a rear perspective view thereof;
FIG. 9 is another rear perspective view thereof, showing the mobile phone where a graphic is displayed;
FIG. 10 is another front perspective view thereof, showing the mobile phone of FIG. 1 in an alternate configuration;
FIG. 11 is a front view of FIG. 10;
FIG. 12 is a rear view of FIG. 10;
FIG. 13 is a left side view FIG. 10;
FIG. 14 is a right side view FIG. 10;
FIG. 15 is a top plan view FIG. 10;
FIG. 16 is a bottom plan view FIG. 10; and,
FIG. 17 is a rear perspective view FIG. 10.

The broken lines in the drawings illustrate portions of the mobile phone that form no part of the claimed design. The

(Continued)



other broken lines in FIG. 9, showing a graphic, represent environmental subject matter only and form no part of the claimed design.

1 Claim, 17 Drawing Sheets

(58) Field of Classification Search

USPC D14/130, 496, 137, 138 R, 138 AA, D14/138 AB, 138 AC, 138 AD, 138 C, D14/138 G, 147, 203.1, 203.3, 203.4, D14/203.7, 218, 247, 248, 388, 389; D6/308; D10/104.1, 50, 74; D21/324, D21/329, 330, 332; D24/186; D13/130, D13/107, 118, 119
 CPC G06F 3/041; G06F 3/0412; G06F 3/0488; G06F 3/04883; G06F 1/1613; G06F 1/1626; G06F 1/1692; G06F 2200/1633; H04M 1/0202; H04M 1/0235; H04M 1/0237; H04M 1/0239; H04M 1/0266; H04M 1/0268; H04M 1/027; H04M 1/0295; H04M 1/02; H04M 1/0279; H04M 1/0283; H04M 1/72463; H04M 1/72469; H04M 1/72454; G09G 3/344

See application file for complete search history.

(56) References Cited

U.S. PATENT DOCUMENTS

D761,251 S * 7/2016 Senda G09F 9/301 D14/341
 D768,594 S * 10/2016 Szeto D14/138 G
 D780,179 S * 2/2017 Bae D14/374
 D789,922 S * 6/2017 Yamazaki D14/341
 D790,497 S * 6/2017 Kim D14/138 AA
 D795,825 S * 8/2017 Kim D14/138 R
 D812,605 S * 3/2018 Senda D14/341
 D812,606 S * 3/2018 Senda D14/341
 D829,719 S * 10/2018 Shim D14/435
 10,904,371 B1 * 1/2021 Song G06F 1/1652
 D912,045 S * 3/2021 Han D14/138 AD
 10,936,017 B1 * 3/2021 Choi G06F 1/1643
 10,938,970 B1 * 3/2021 Lee H04M 1/0268
 10,955,876 B1 * 3/2021 Song G06F 1/1656
 10,963,014 B1 * 3/2021 Park H04M 1/0268

D917,412 S * 4/2021 Seo D14/138 AB
 D923,598 S * 6/2021 Lee H04M 1/0268
 D14/138 AD
 11,043,191 B1 * 6/2021 Kang G06F 1/1652
 11,051,413 B2 * 6/2021 Yang G06F 1/1626
 D926,718 S * 8/2021 Lee G06F 1/1624
 D14/138 AD
 D936,625 S * 11/2021 Lee D14/138 AD
 D936,626 S * 11/2021 Lee D14/138 AD
 D936,627 S * 11/2021 Lee D14/138 AD
 D940,678 S * 1/2022 Min D14/138 AD
 D940,679 S * 1/2022 Min D14/138 AD
 D940,680 S * 1/2022 Lee D14/138 AD
 2018/0102072 A1 * 4/2018 Lee G09F 9/301
 2021/0092855 A1 * 3/2021 Choi H04M 1/0268
 2021/0099557 A1 * 4/2021 Cha H04M 1/0268
 2021/0120111 A1 * 4/2021 Choi G06F 1/1624
 2021/0157366 A1 * 5/2021 Shim G06F 3/0412
 2021/0181801 A1 * 6/2021 Yin G06F 1/1652
 2021/0185164 A1 * 6/2021 Jung H04M 1/72454
 2021/0185835 A1 * 6/2021 Song H05K 5/0017
 2021/0195009 A1 * 6/2021 Choi H04M 1/0268
 2021/0218835 A1 * 7/2021 Song H04M 1/0268
 2021/0278878 A1 * 9/2021 Shim G06F 1/1677
 2021/0326569 A1 * 10/2021 Song H04M 1/0268
 2021/0336356 A1 * 10/2021 Choi H04M 1/0268
 2021/0337049 A1 * 10/2021 Noh G06F 3/04883
 2021/0405696 A1 * 12/2021 Ahn G06F 1/1624
 2022/0019260 A1 * 1/2022 Kang G06F 1/1624
 2022/0019261 A1 * 1/2022 Kang H04M 1/0277
 2022/0091636 A1 * 3/2022 Cho G06F 1/1677
 2022/0113764 A1 * 4/2022 Kwak H04M 1/0237
 2022/0121346 A1 * 4/2022 Kim G06F 3/0482
 2022/0122501 A1 * 4/2022 Kim G06F 1/1652

OTHER PUBLICATIONS

Xiaomi Mi MIX Alpha 2, www.concept-phones.com , Oct. 15, 2019. <https://www.concept-phones.com/xiaomi/xiaomi-mi-mix-alpha-2-becomes-a-scroll-and-expandable-phone-in-this-video-trailer/> (Year: 2019).*
 Huawei Mate X 2030, www.concept-phones.com, Feb. 14, 2020. <https://www.concept-phones.com/huawei/huawei-mate-x-2030-is-the-flexible-phone-of-the-future/> (Year: 2020).*
 LG Rollable phone, www.phonearena.com, Aug. 12, 2021. <https://www.phonearena.com/lg-rollable-phone-release-date-price-features-news> (Year: 2021).*

* cited by examiner

FIG. 1

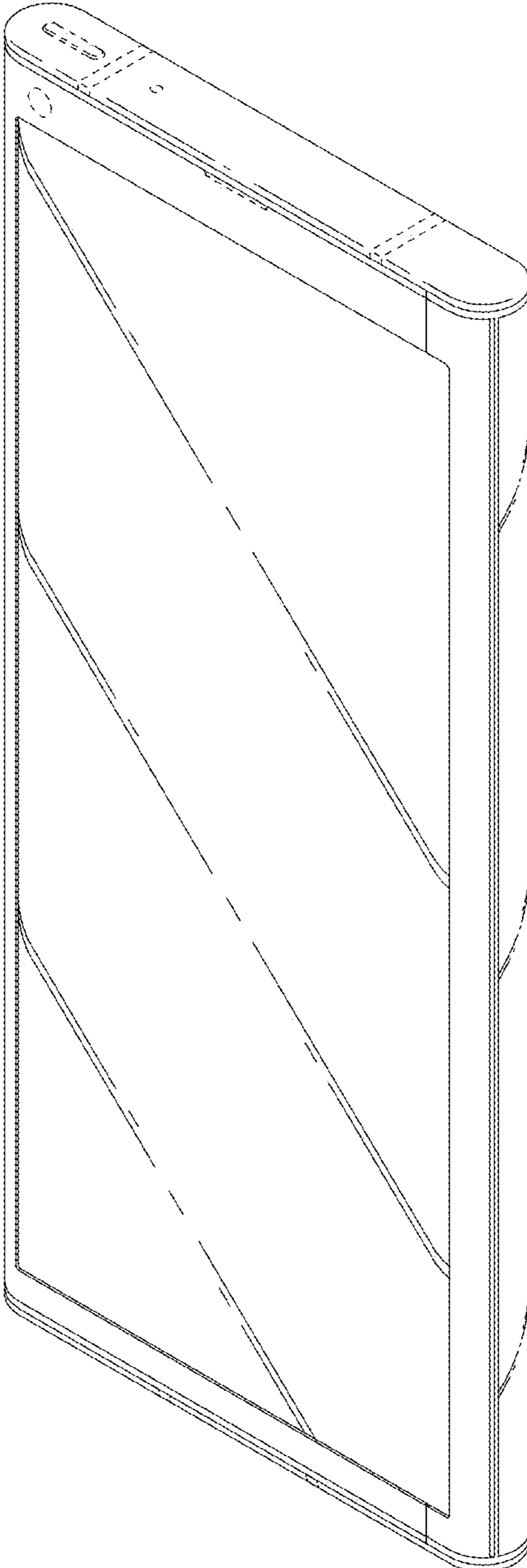


FIG. 2

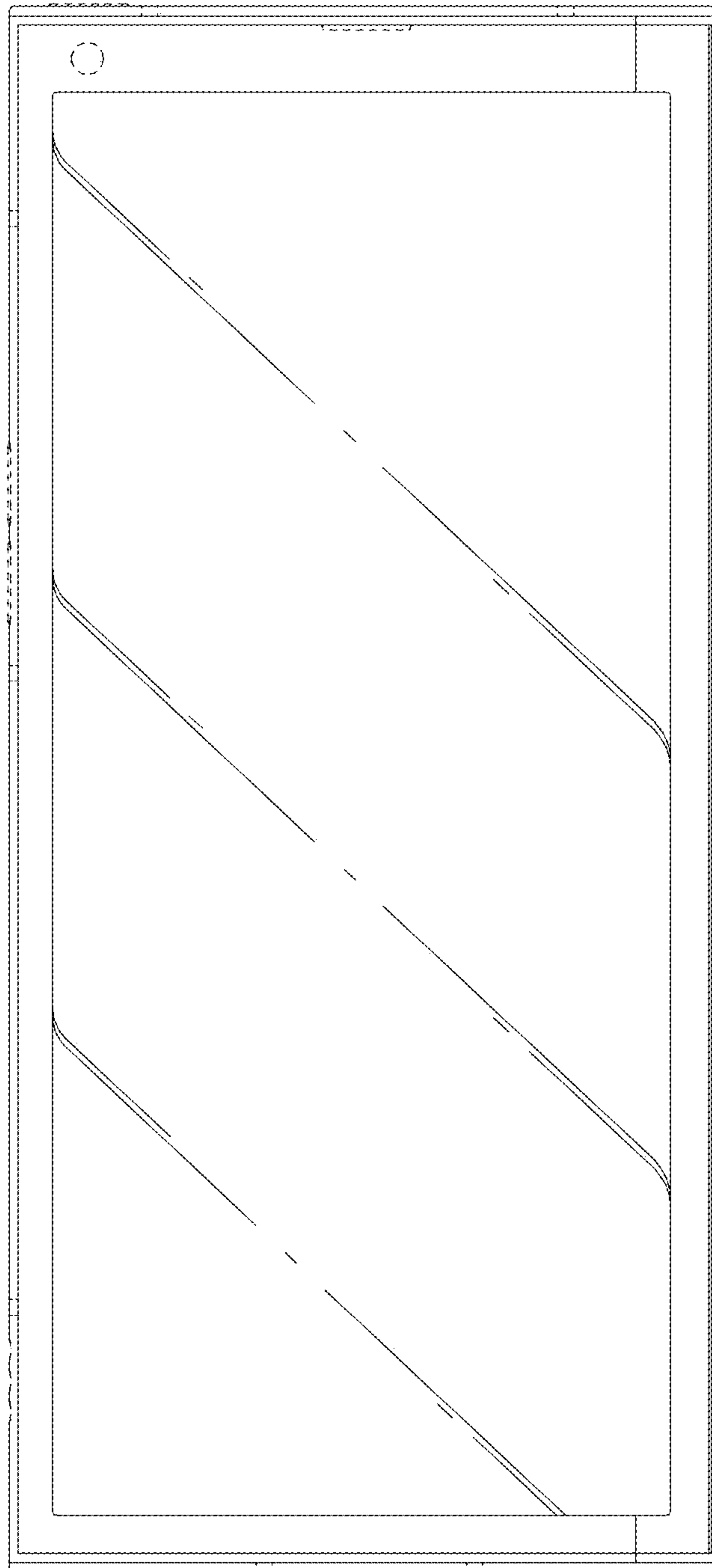


FIG. 3

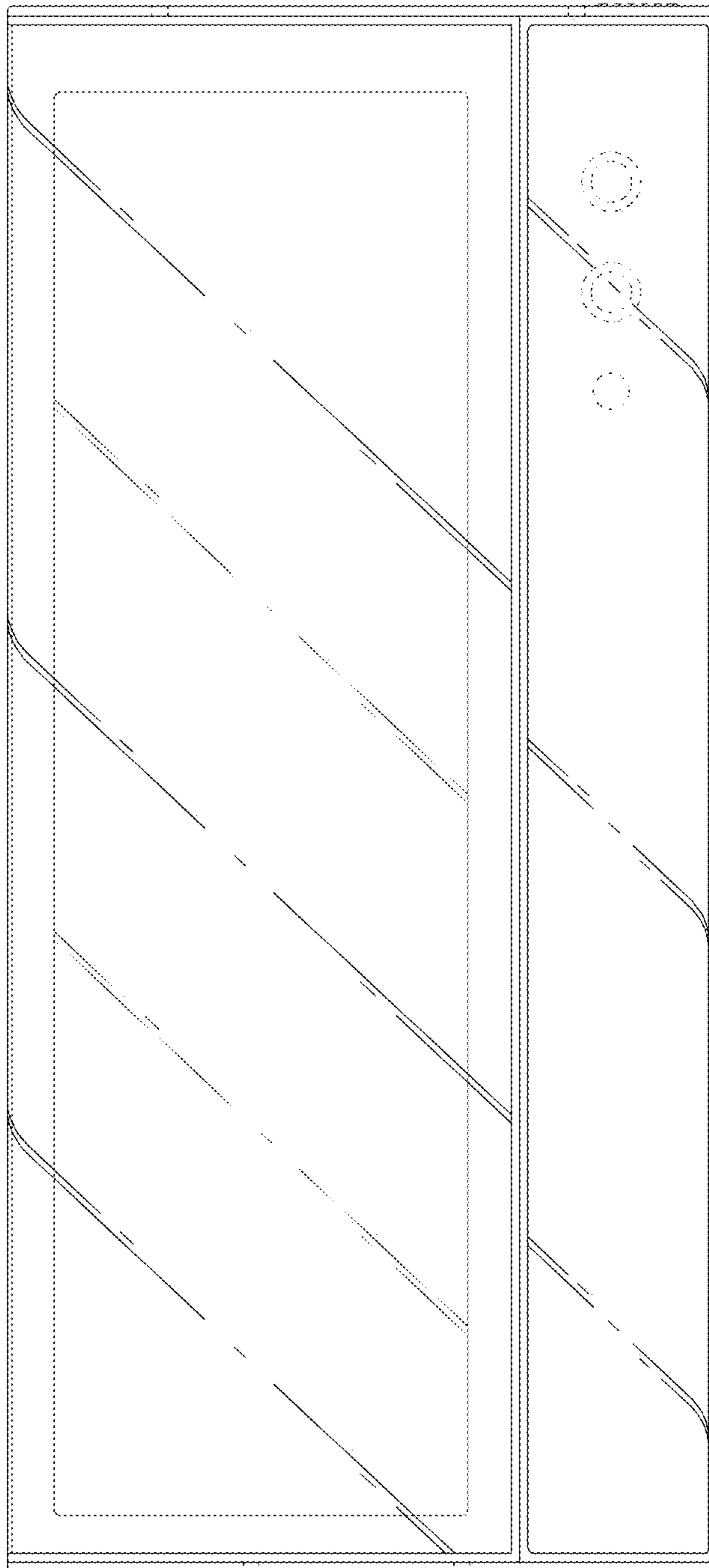


FIG. 4



FIG. 5



FIG. 6

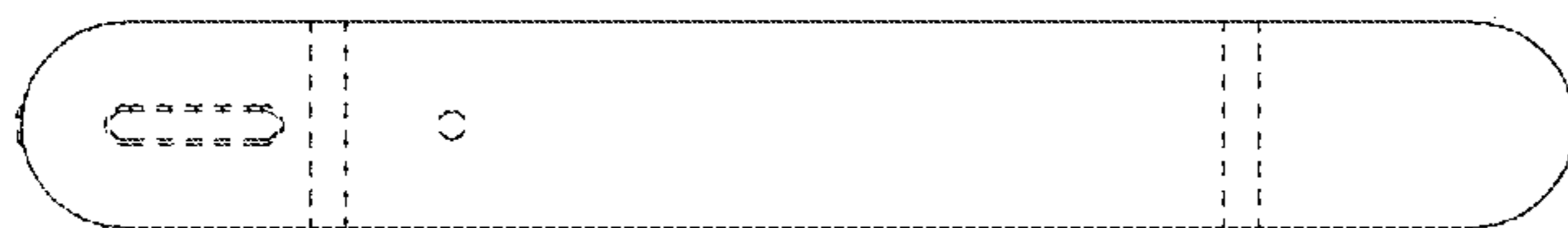


FIG. 7

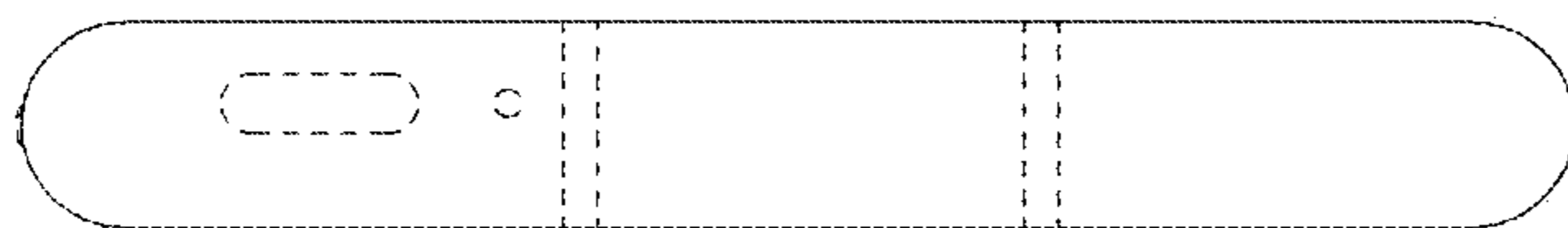


FIG. 8

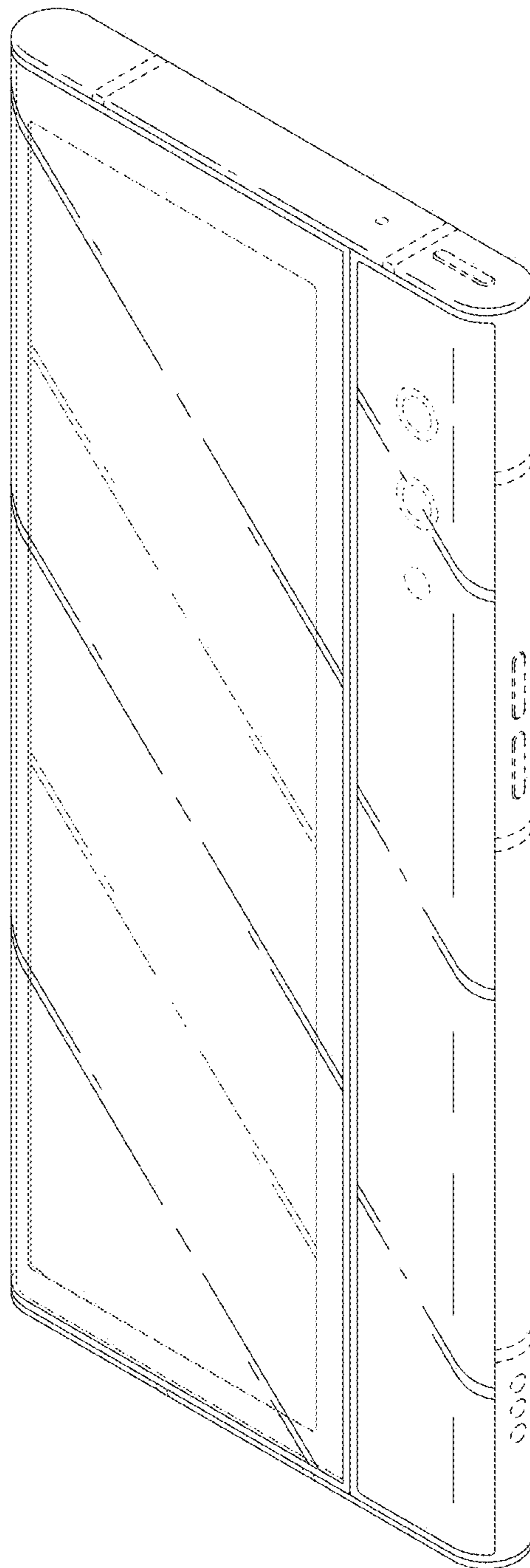


FIG. 9

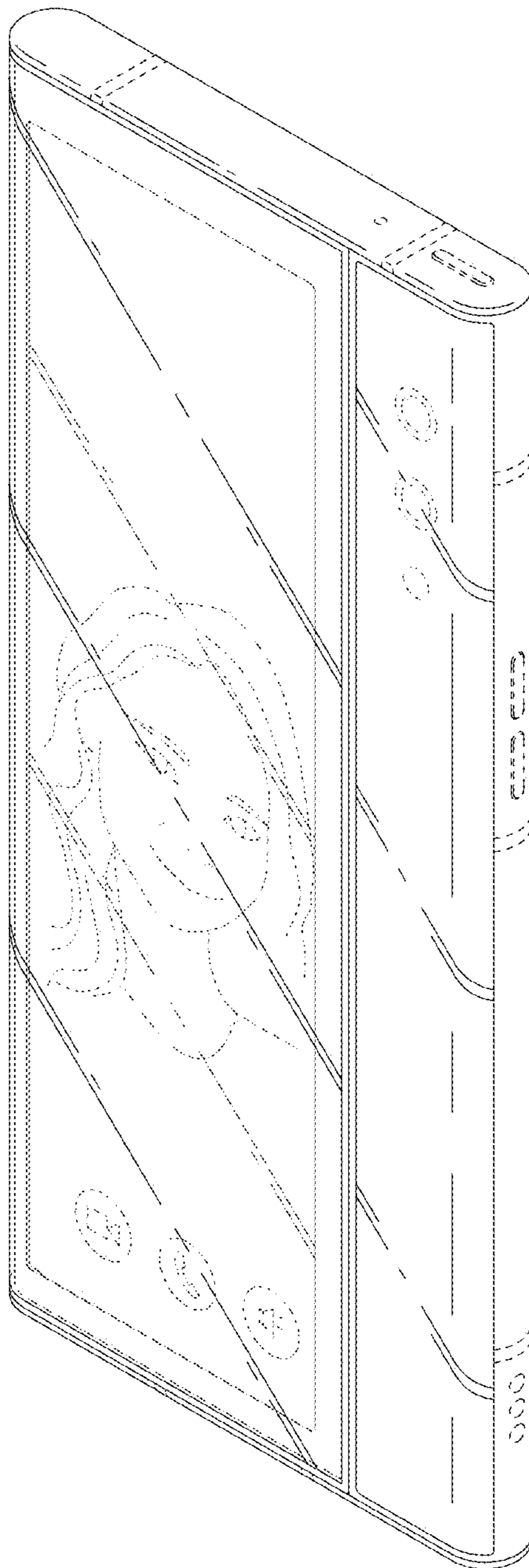


FIG. 10

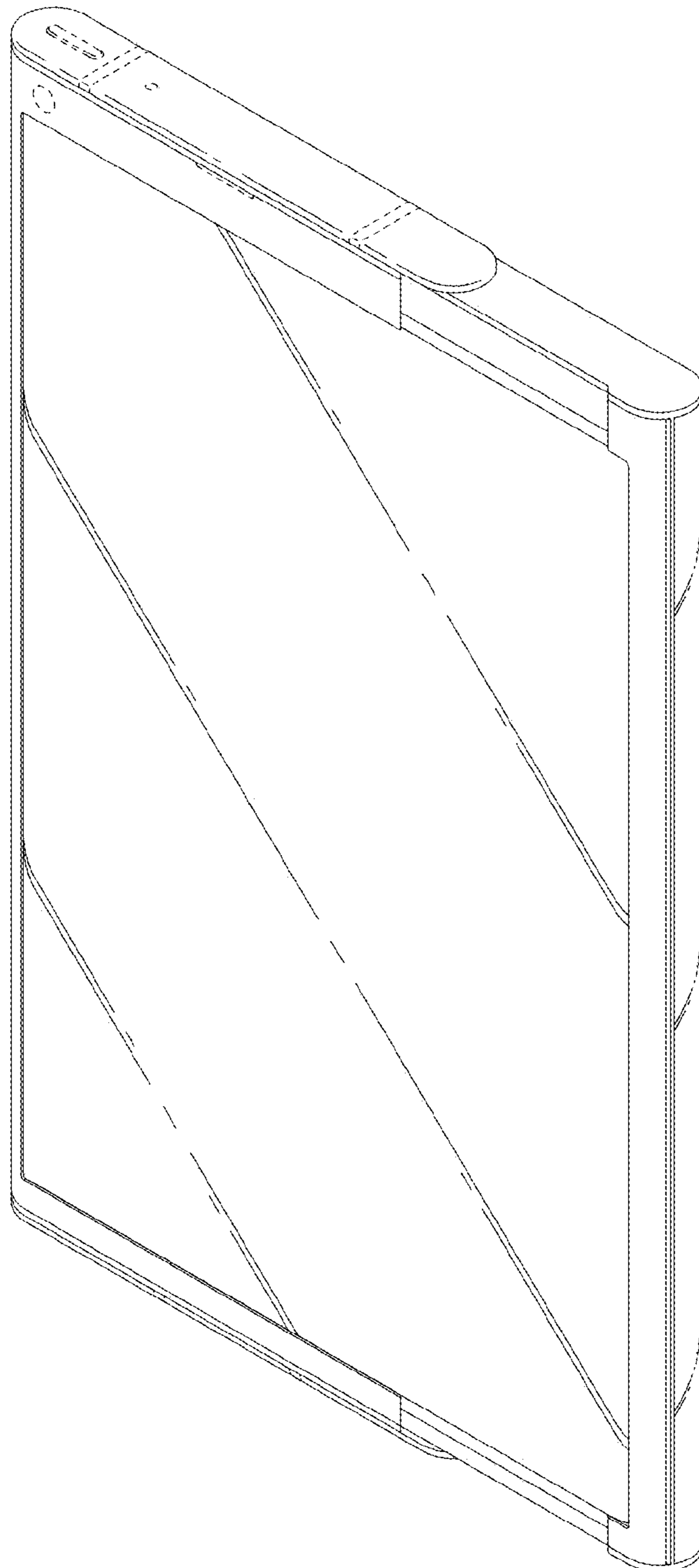


FIG. 11

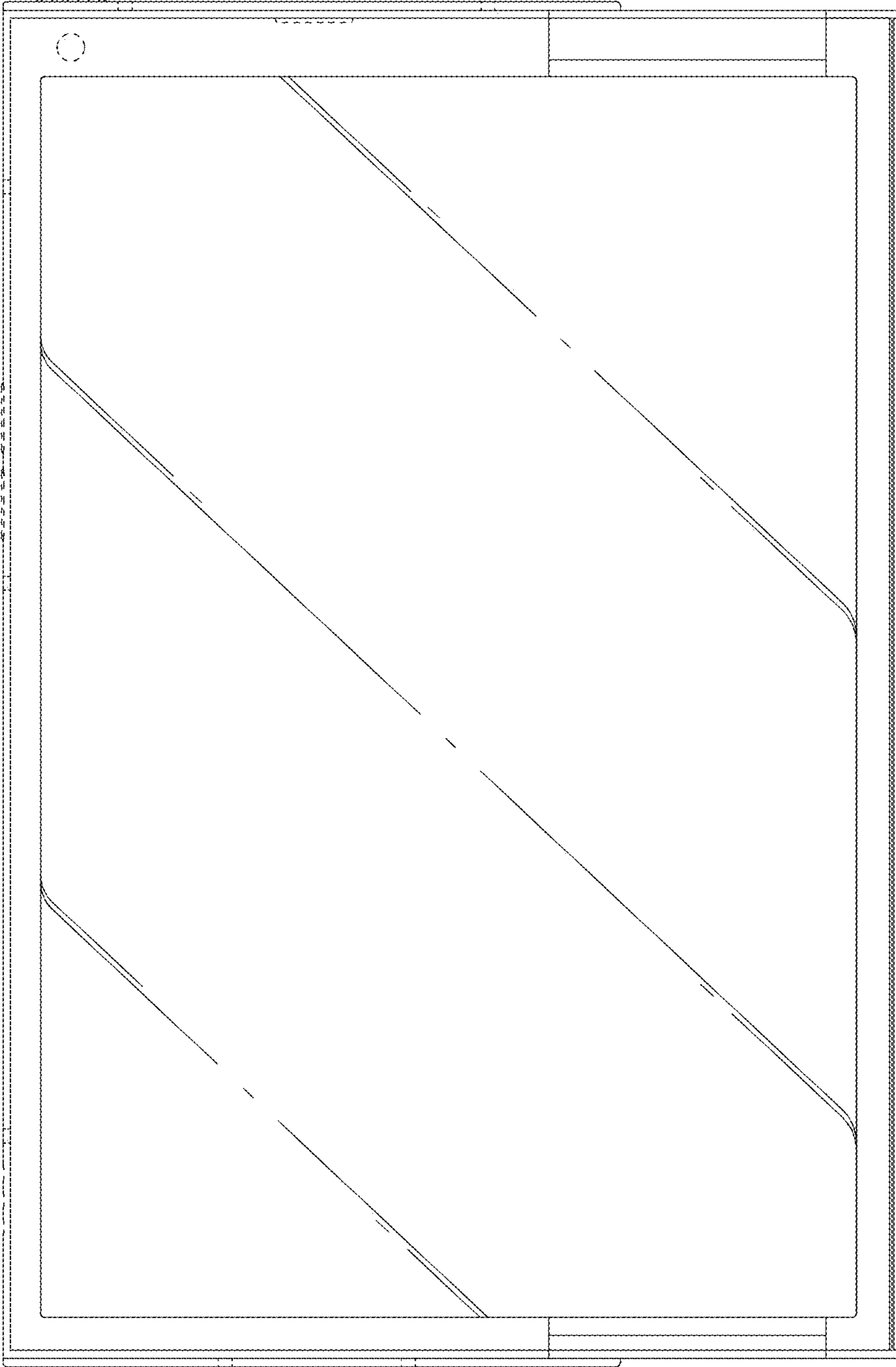


FIG. 12

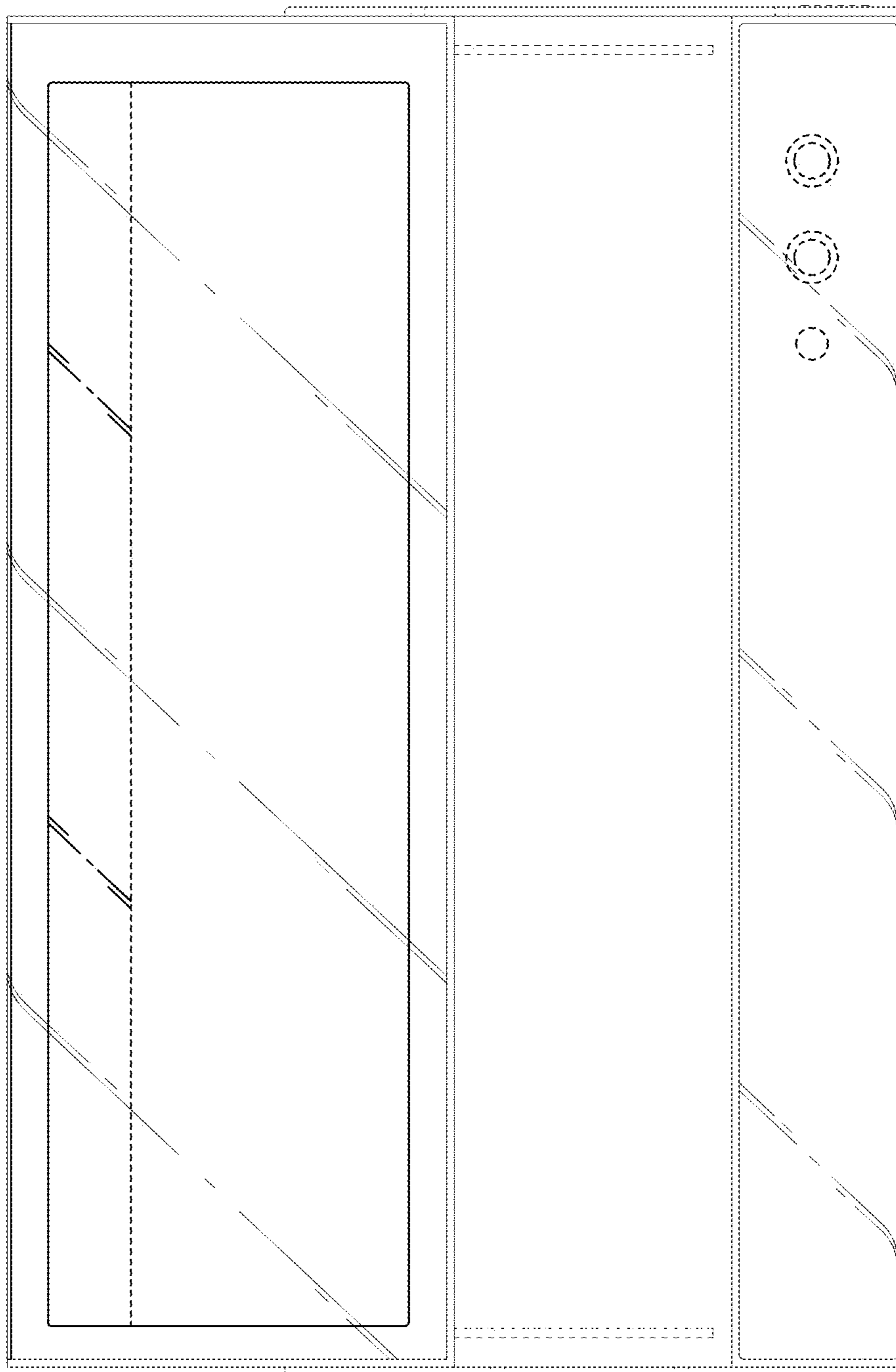


FIG. 13



FIG. 14



FIG. 15

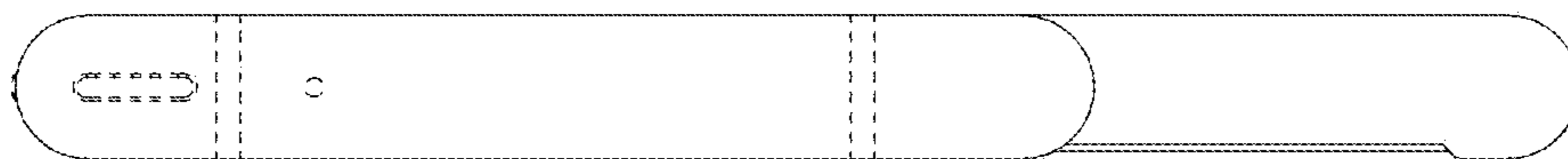


FIG. 16

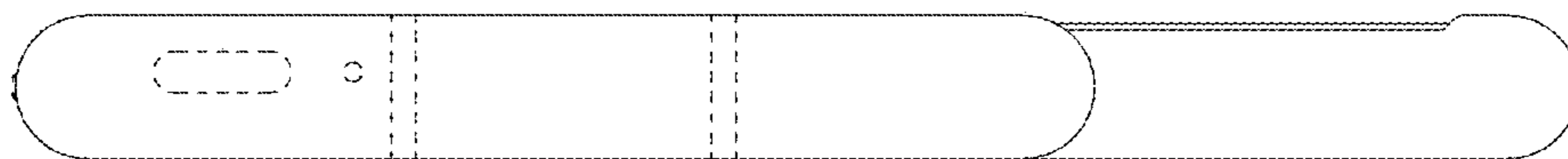


FIG. 17

