



US00D967087S

(12) **United States Design Patent**
Cai

(10) **Patent No.:** **US D967,087 S**

(45) **Date of Patent:** **** Oct. 18, 2022**

(54) **TABLET KEYBOARD**

(71) Applicant: **Jing Cai**, Guangdong (CN)

(72) Inventor: **Jing Cai**, Guangdong (CN)

(**) Term: **15 Years**

(21) Appl. No.: **29/703,145**

(22) Filed: **Aug. 23, 2019**

(51) **LOC (13) Cl.** **14-02**

(52) **U.S. Cl.**
USPC **D14/315**; D14/440

(58) **Field of Classification Search**
USPC D14/150, 168, 203.4, 203.6, 247,
D14/315-327, 331, 345-346, 371, 376,
D14/391-399, 401, 429, 434, 440,
D14/455-457, 477, 479, 507, 509;
D3/900-901; 361/679.08, 679.09,
361/679.11, 679.26, 679.27; D21/324,
D21/409, 512, 515; 455/575.1, 575.3,
455/575.8

CPC B41J 5/00; B41J 5/10; B41J 5/12; G06F
1/1664; G06F 1/1637

See application file for complete search history.

(56) **References Cited**

U.S. PATENT DOCUMENTS

- D673,559 S * 1/2013 Yang D14/318
- 8,644,893 B2 * 2/2014 Liang G06F 1/1628
455/575.1
- 8,817,457 B1 * 8/2014 Colby G06F 1/1681
361/679.29
- 9,036,340 B1 * 5/2015 Colby G06F 1/1667
361/679.29
- 9,155,211 B2 * 10/2015 Li G06F 1/1681
- 9,489,054 B1 * 11/2016 Sumsion G06F 1/1681
- D779,494 S * 2/2017 Hallier D14/440
- D807,363 S * 1/2018 Hallier D14/440
- D832,852 S * 11/2018 Jinkinson D14/440
- D832,853 S * 11/2018 Jinkinson D14/440
- D832,854 S * 11/2018 Jinkinson D14/440

- D832,856 S * 11/2018 Jinkinson D14/440
- D880,485 S * 4/2020 Zhu D14/440
- D887,416 S * 6/2020 Wu D14/440
- D892,128 S * 8/2020 Chen D14/440
- D912,063 S * 3/2021 Yan D14/440
- 2011/0199727 A1 * 8/2011 Probst G06F 1/1632
361/679.09
- 2015/0153772 A1 * 6/2015 Chang G06F 1/1632
361/679.09

(Continued)

FOREIGN PATENT DOCUMENTS

CN 302924172 * 8/2014

OTHER PUBLICATIONS

Touch Pad Keyboard Case, AnMengZinLing, amazon.com, published by AnMengZinLing on May 28, 2020 © 1996-2020 Amazon.com, Inc., online, site visited Sep. 23, 2020. Available at URL: <https://www.amazon.com/TouchPad-Keyboard-MatePad-Backlits-Bluetooth/dp/B089FL18TH?th=1> (Year: 2020).*

Primary Examiner — Sandra Snapp
Assistant Examiner — Altaira J Swangin

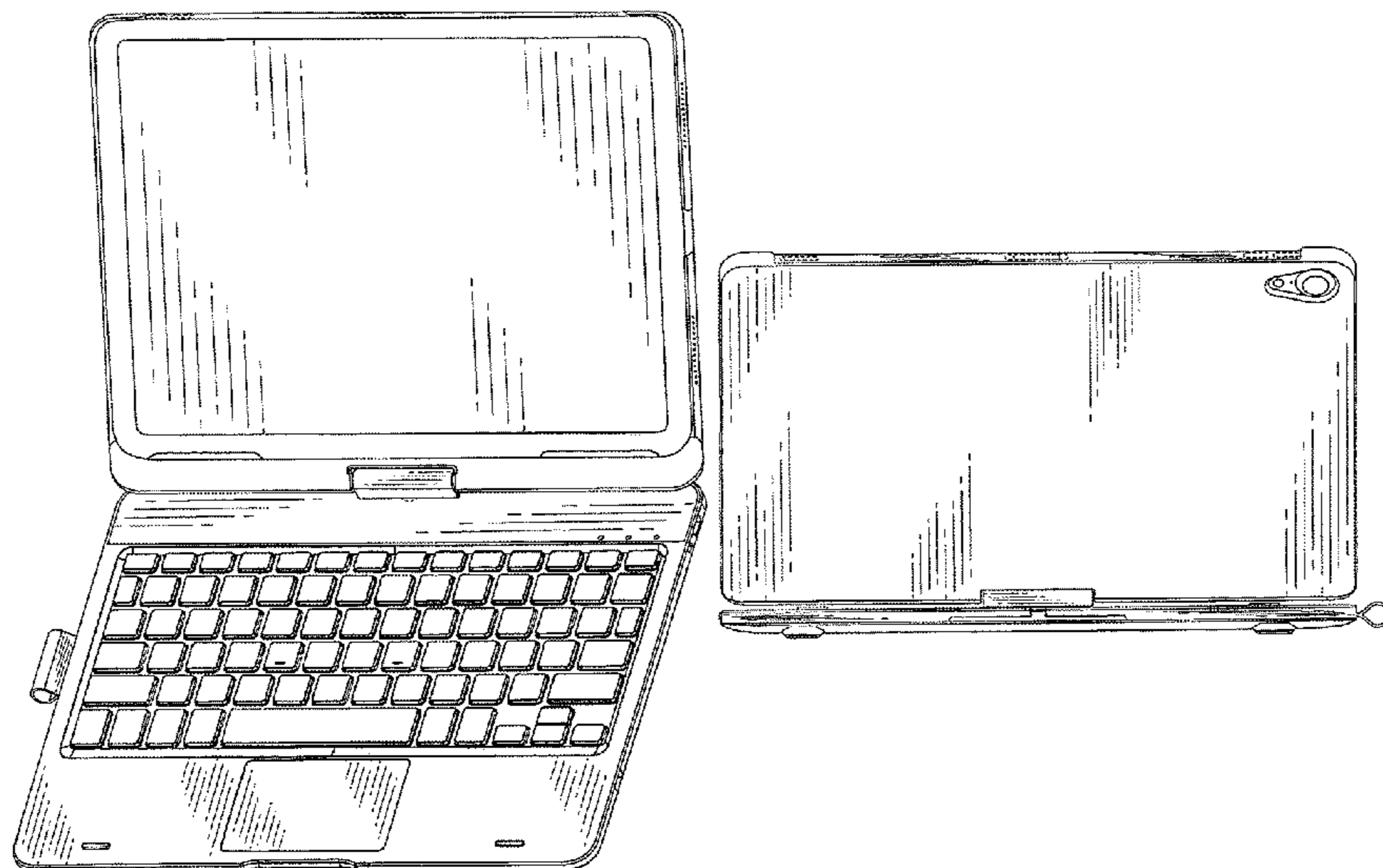
(57) **CLAIM**

The ornamental design for a tablet keyboard, as shown and described.

DESCRIPTION

FIG. 1 is a perspective view of a tablet keyboard showing my new design;
FIG. 2 is a front elevation view thereof;
FIG. 3 is a rear elevation view thereof;
FIG. 4 is a left side elevation view thereof;
FIG. 5 is a right side elevation view thereof;
FIG. 6 is a top plan view thereof; and,
FIG. 7 is a bottom plan view thereof.
The broken lines depict environment only and form no part of the claimed design.

1 Claim, 7 Drawing Sheets



(56)

References Cited

U.S. PATENT DOCUMENTS

2015/0296068	A1*	10/2015	Chin	A45C 13/002
					455/575.8
2018/0218858	A1*	8/2018	Wang	H01H 13/82
2018/0356862	A1*	12/2018	Lai	G06F 1/1616
2020/0004301	A1*	1/2020	Cai	G06F 1/1683

* cited by examiner

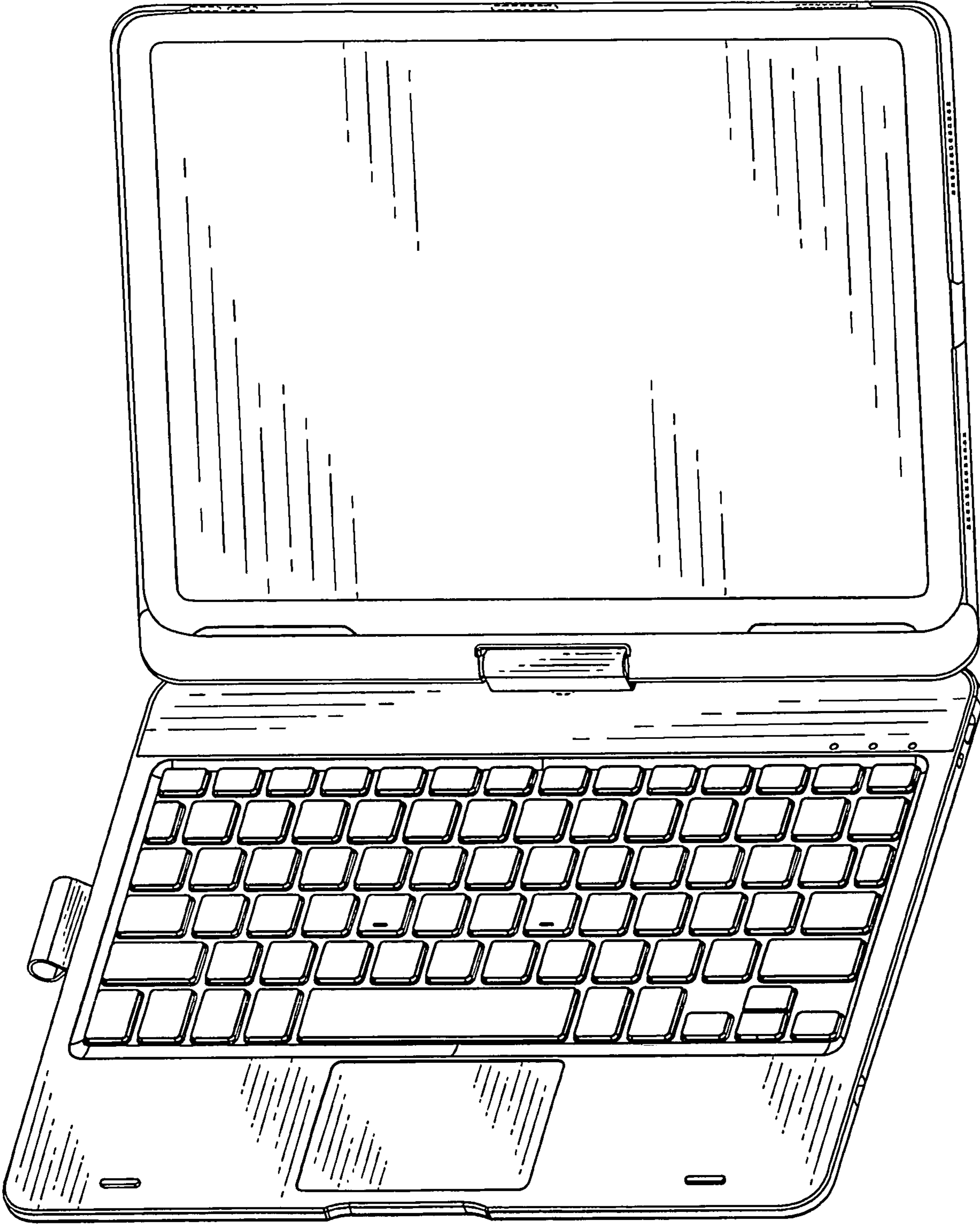


FIG. 1

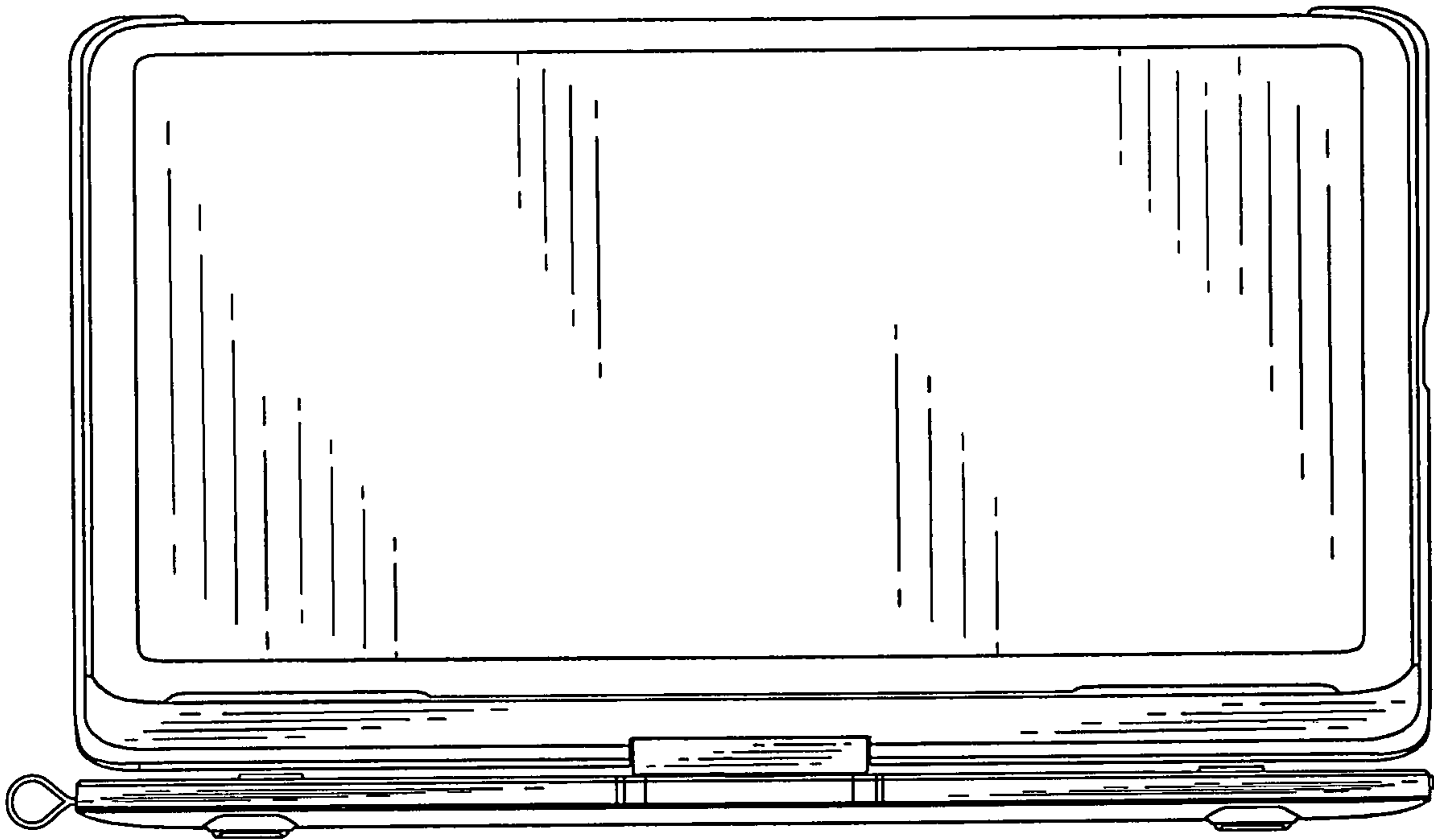


FIG. 2

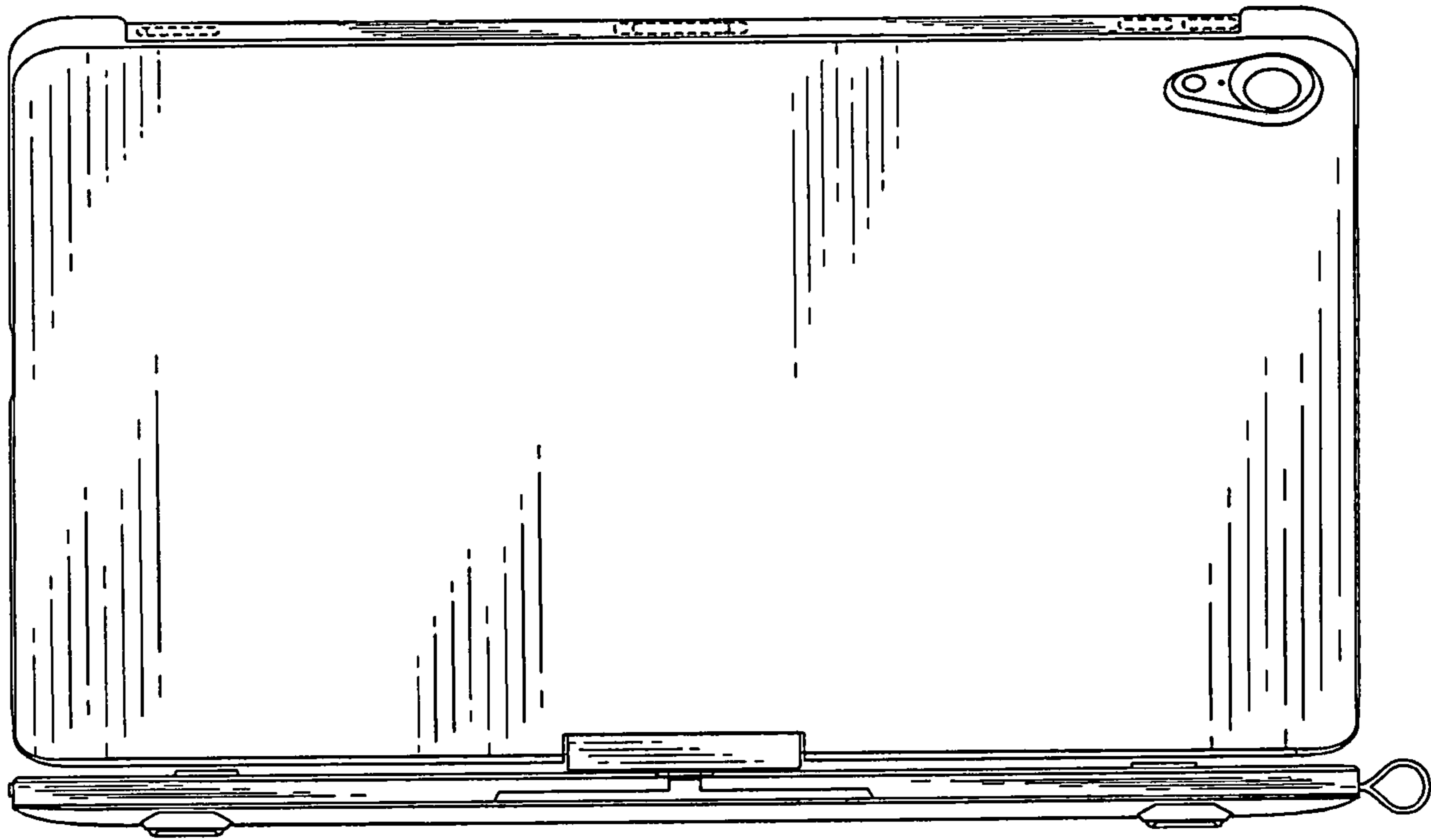
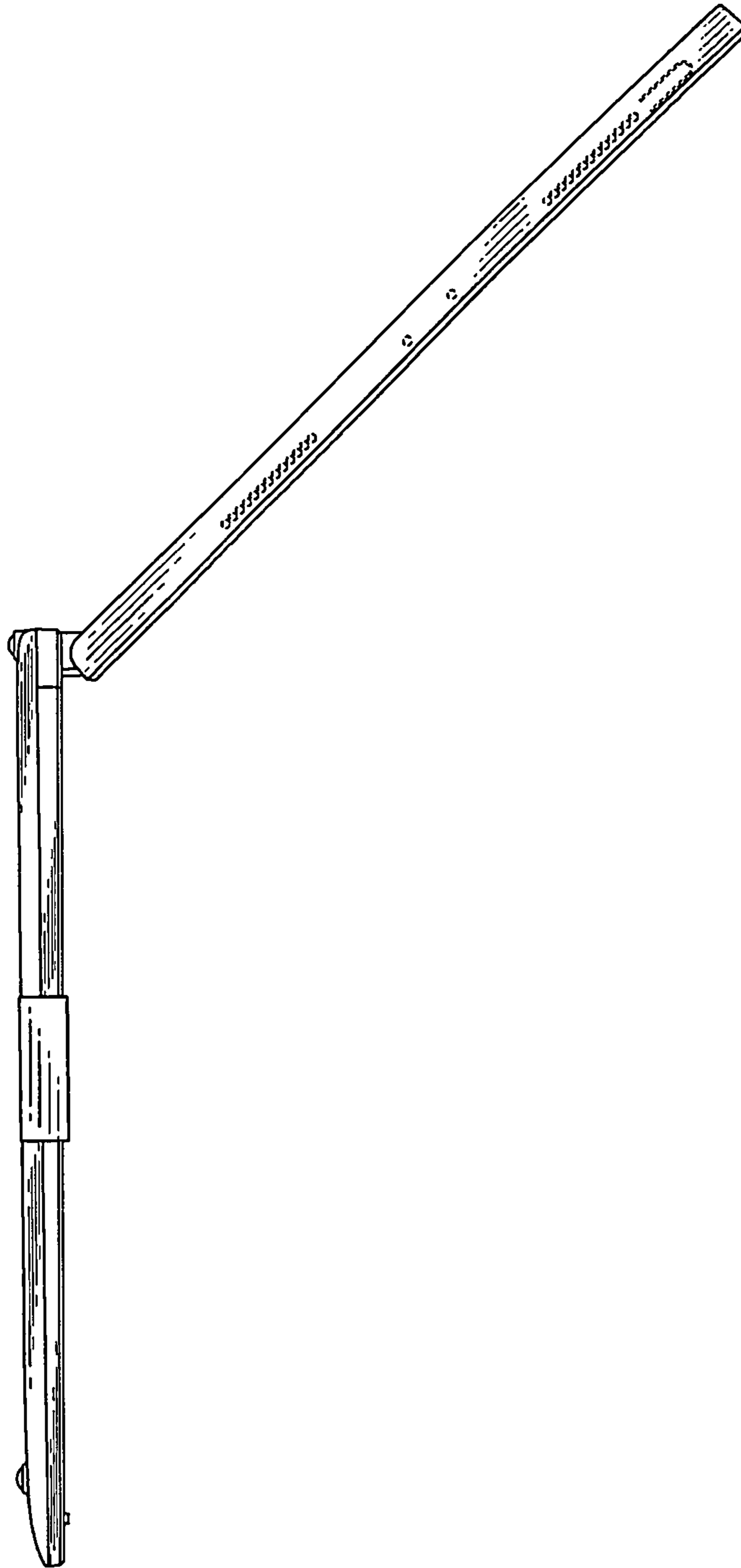


FIG. 3



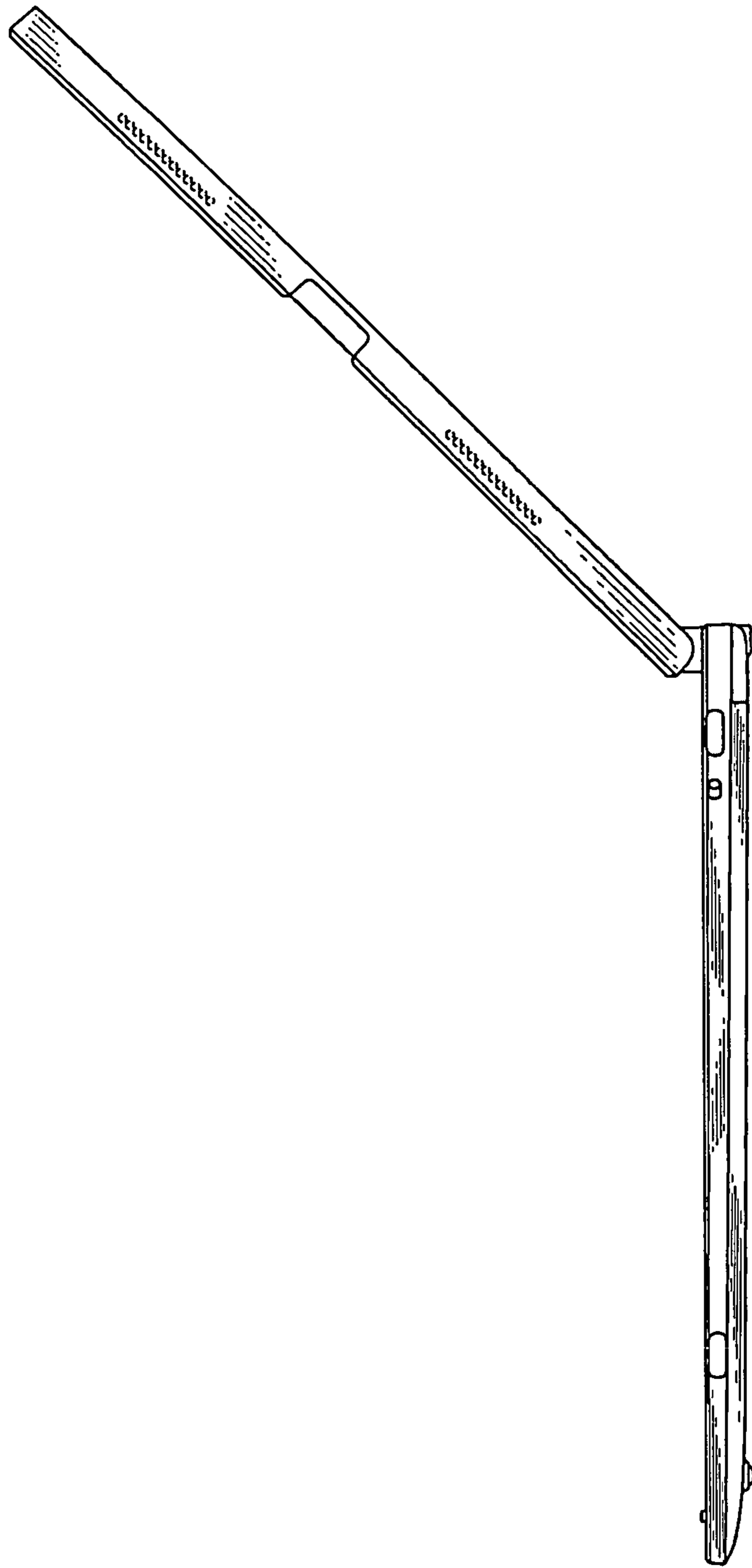


FIG. 5

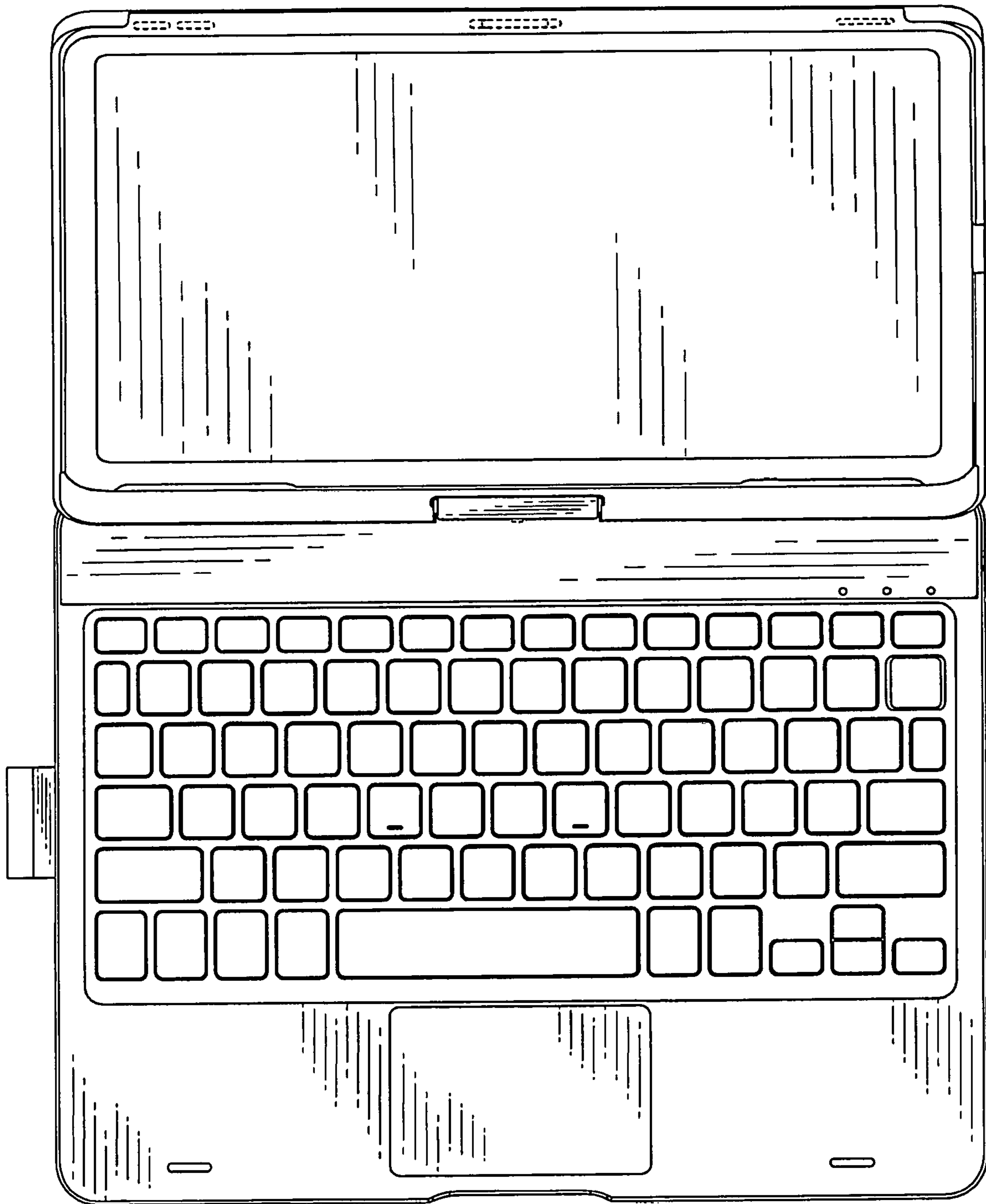


FIG. 6

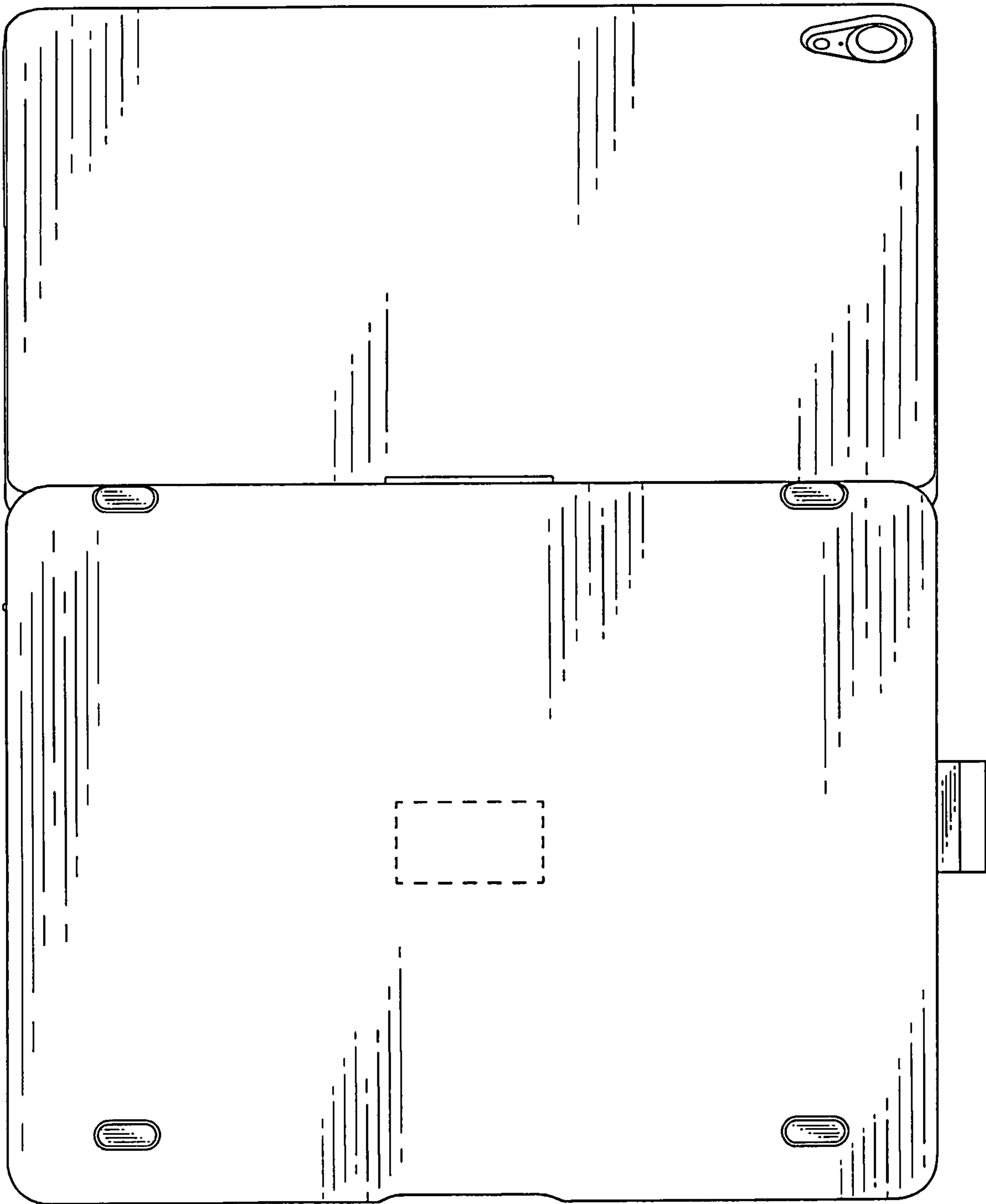


FIG. 7