



US00D967086S

(12) **United States Design Patent** (10) **Patent No.:** **US D967,086 S**
Wang (45) **Date of Patent:** **** Oct. 18, 2022**

(54) **MOBILE PHONE STAND**

(71) Applicant: **Hanping Wang**, Wuhan (CN)

(72) Inventor: **Hanping Wang**, Wuhan (CN)

(**) Term: **15 Years**

(21) Appl. No.: **29/820,968**

(22) Filed: **Dec. 27, 2021**

(51) **LOC (13) Cl.** **14-03**

(52) **U.S. Cl.**
USPC **D14/253**

(58) **Field of Classification Search**
USPC D14/217, 248, 251, 252, 253, 432, 434,
D14/440, 447, 457; D12/114, 223, 400,
D12/407, 415, 425
CPC A45F 2200/0516; A45F 2200/0525; A45F
2200/0508; A45F 2200/025; B62J 50/225
See application file for complete search history.

(56) **References Cited**

U.S. PATENT DOCUMENTS

D504,564 S *	5/2005	Robertson, Jr.	D3/218
D676,371 S *	2/2013	Son	D12/415
D709,074 S *	7/2014	Tsui	D14/447
D719,951 S *	12/2014	Fenton	D14/253
D742,387 S *	11/2015	Xiang	D14/447
D753,126 S *	4/2016	Alesi	D14/447
D770,171 S *	11/2016	Lai	D3/218
D847,789 S *	5/2019	Virhiä	D14/217
D887,417 S *	6/2020	Yarbough	D14/447
D894,168 S *	8/2020	Lou	D14/253
D898,730 S	10/2020	Comelek		
D908,689 S *	1/2021	Chen	D14/253
D929,391 S	8/2021	Chen		
D933,646 S *	10/2021	Liao	D12/415
D934,229 S *	10/2021	Chapuis	D14/447
D934,235 S *	10/2021	Liao	D12/415

D936,645 S *	11/2021	Deng	D12/114
D941,827 S *	1/2022	You	D14/447
2014/0305985 A1 *	10/2014	Chang	A45F 5/021 224/676

OTHER PUBLICATIONS

Amazon.com_ Gentsy Bike Phone Mount, first available Nov. 17, 2021 [online], retrieved Aug. 25, 2022, available at URL: <https://a.co/d/cmbdy1q> (Year: 2021).*

* cited by examiner

Primary Examiner — Wendy L Arminio

Assistant Examiner — Carrie S Gelula

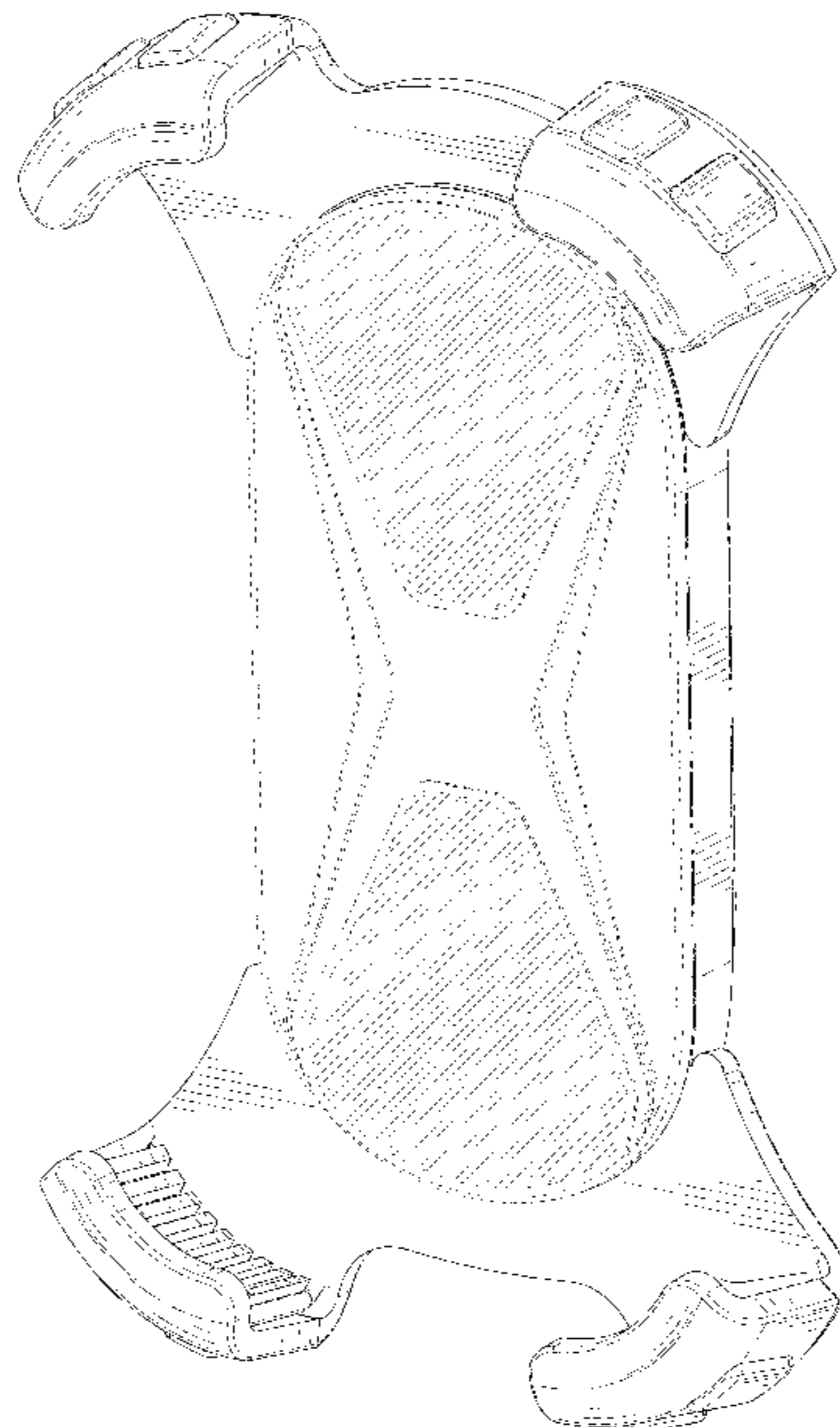
(57) **CLAIM**

The ornamental design for a mobile phone stand, as shown and described.

DESCRIPTION

FIG. 1 is a perspective view of a mobile phone stand showing my new design;
FIG. 2 is another perspective view thereof;
FIG. 3 is a front elevational view thereof;
FIG. 4 is a rear elevational view thereof;
FIG. 5 is a left side elevational view thereof;
FIG. 6 is a right side elevational view thereof;
FIG. 7 is a top plan view thereof;
FIG. 8 is a bottom plan view thereof;
FIG. 9 is a perspective view of the mobile phone stand where the mobile phone stand is in a first configuration of use;
FIG. 10 is a perspective view of the mobile phone stand where the mobile phone stand is in a second configuration of use; and,
FIG. 11 is a perspective view of the mobile phone stand where the mobile phone stand is in a third configuration of use.
The broken lines in the drawings depict portions of the mobile phone stand that form no part of the claimed design.

1 Claim, 11 Drawing Sheets



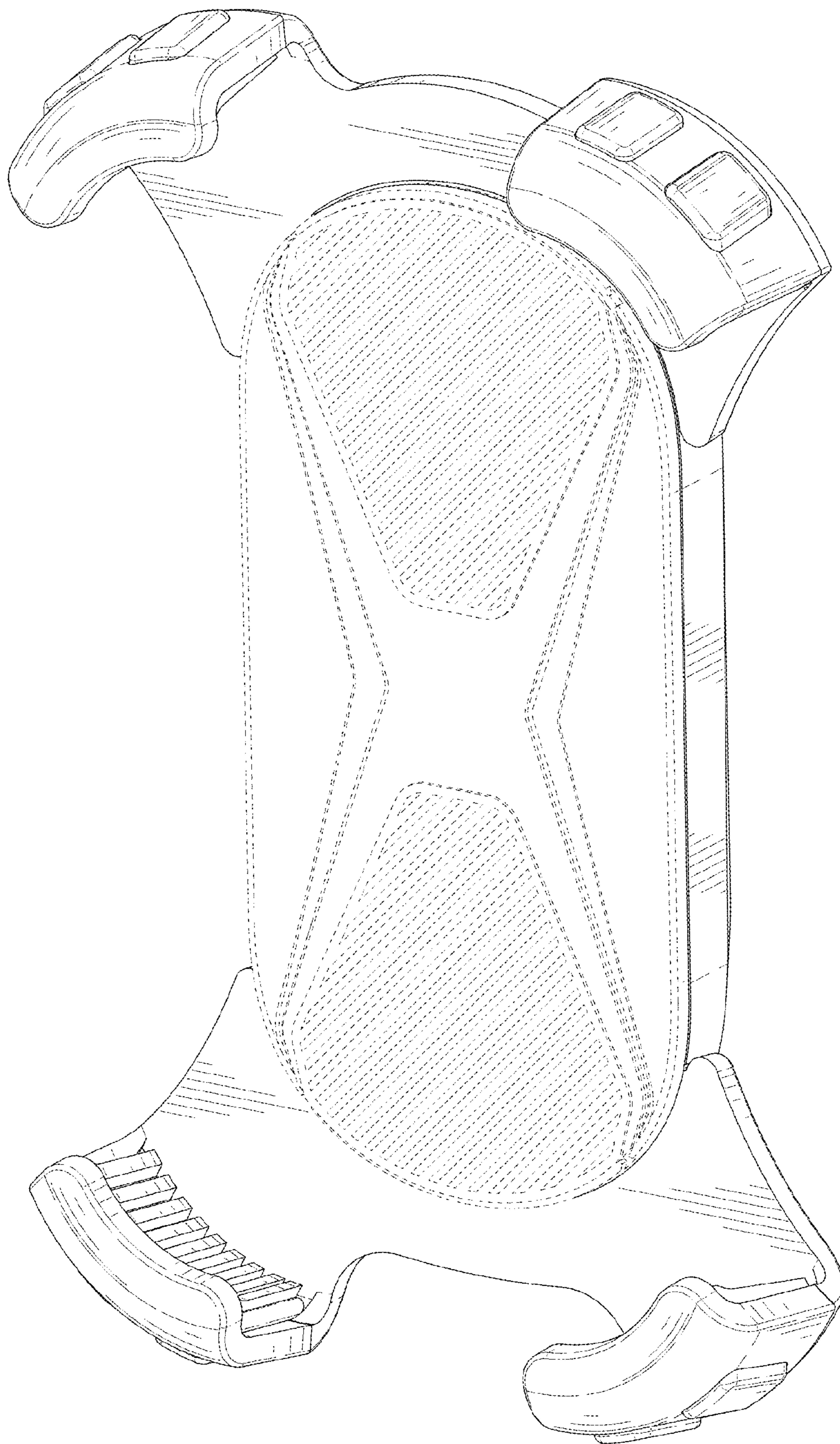


FIG. 1

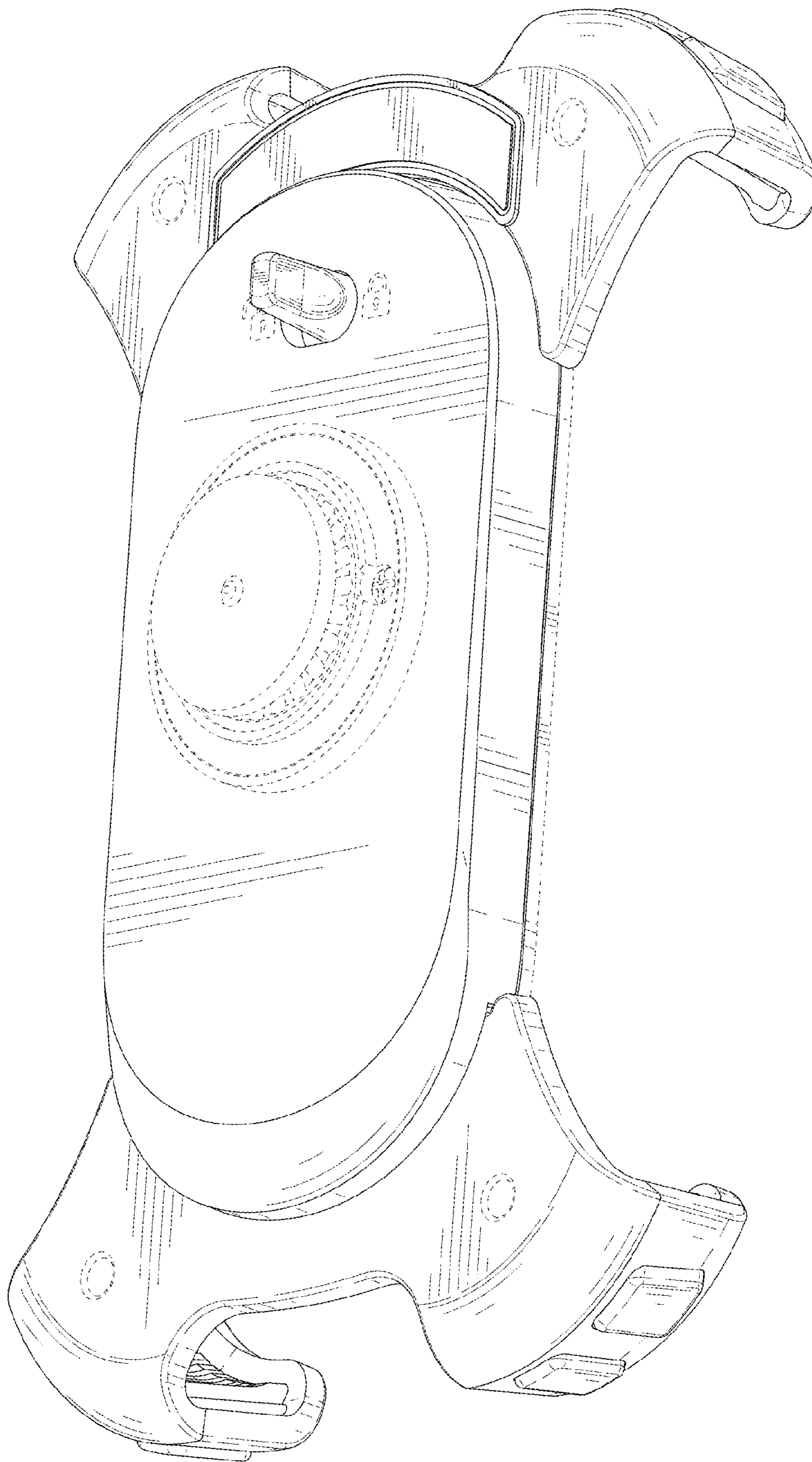


FIG. 2

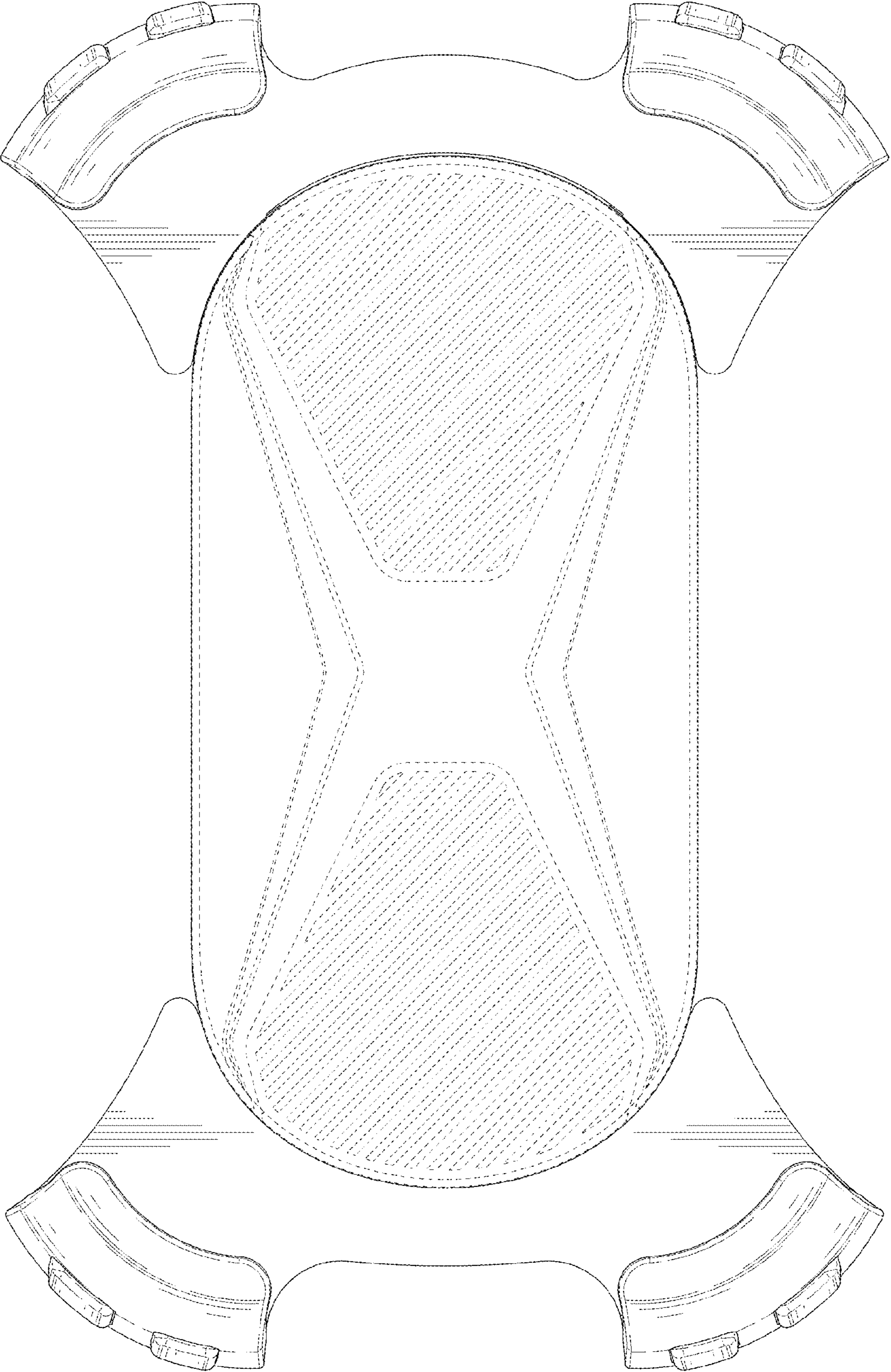


FIG. 3

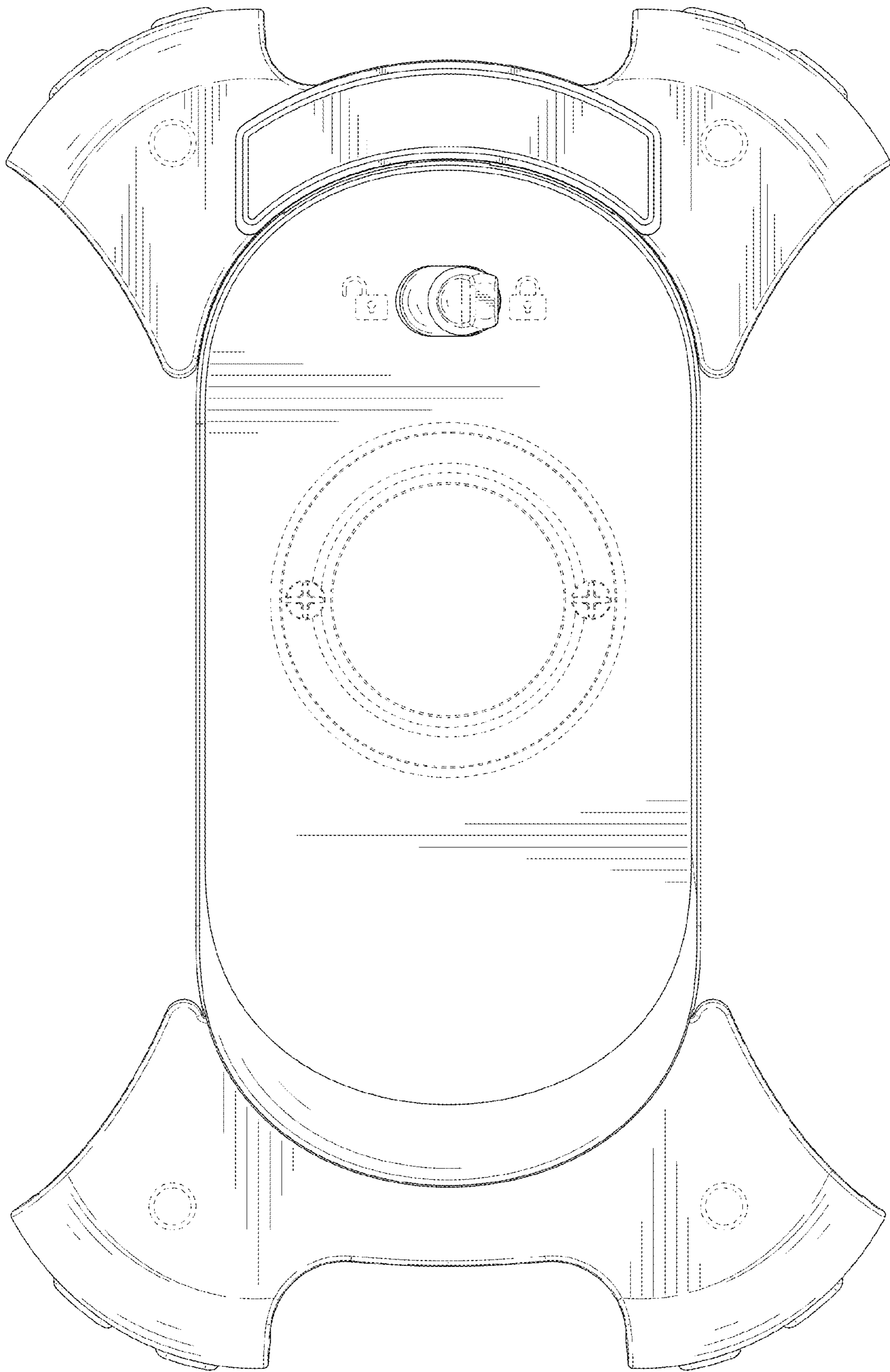


FIG. 4

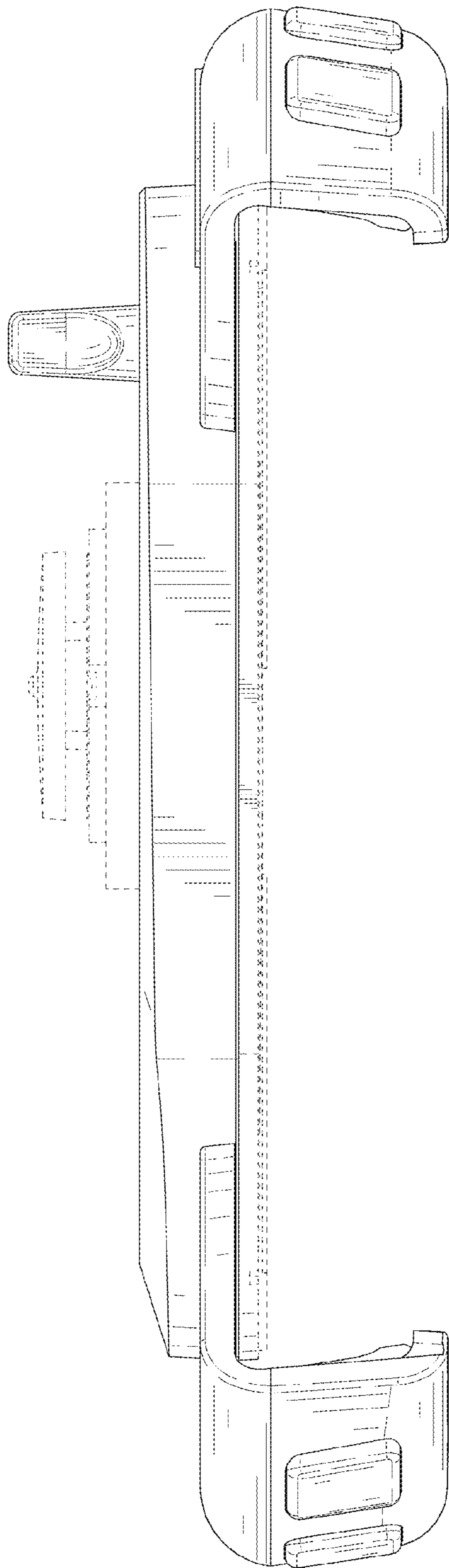


FIG. 5

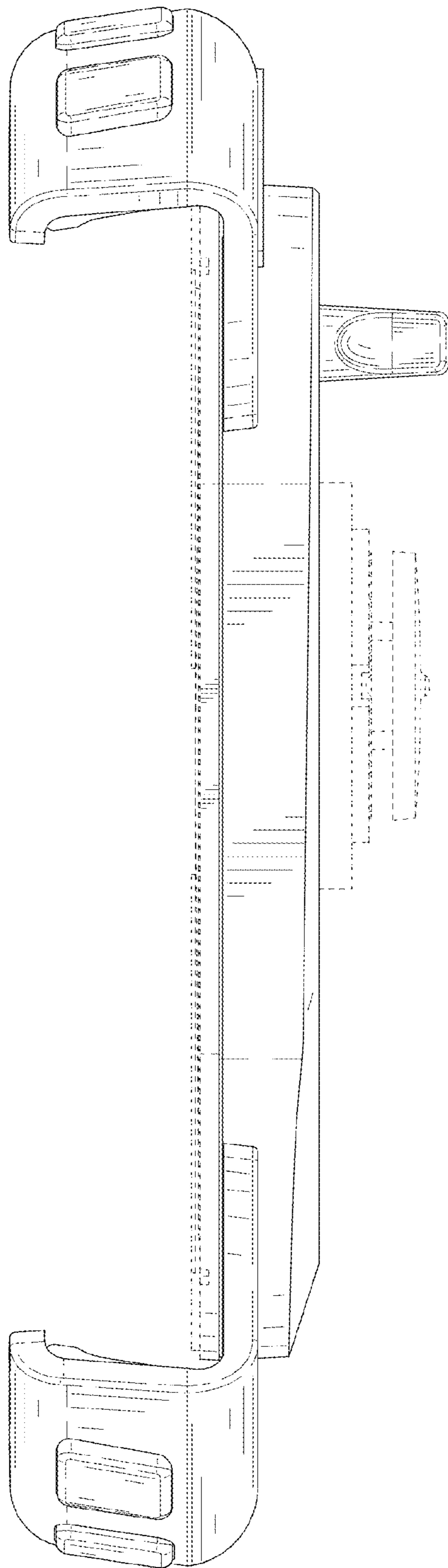


FIG. 6

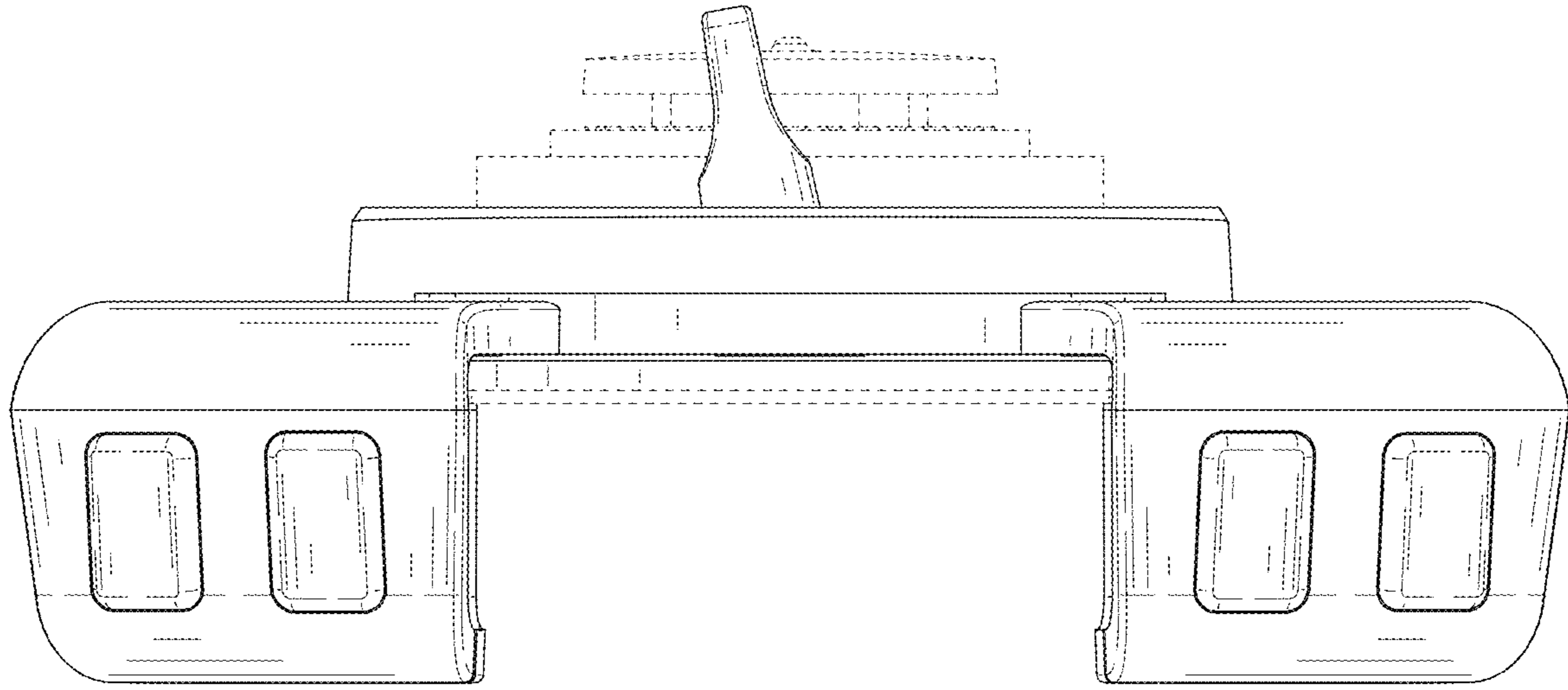


FIG. 7

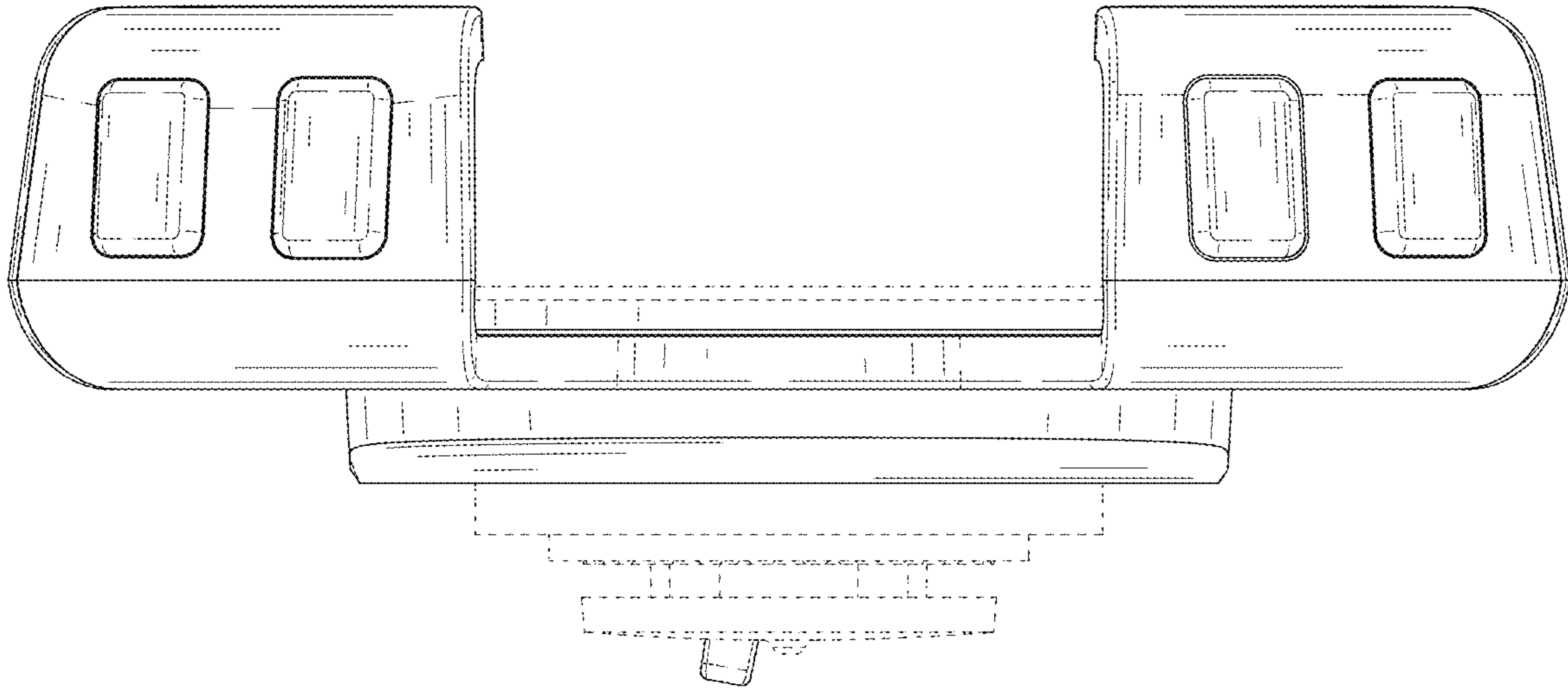


FIG. 8

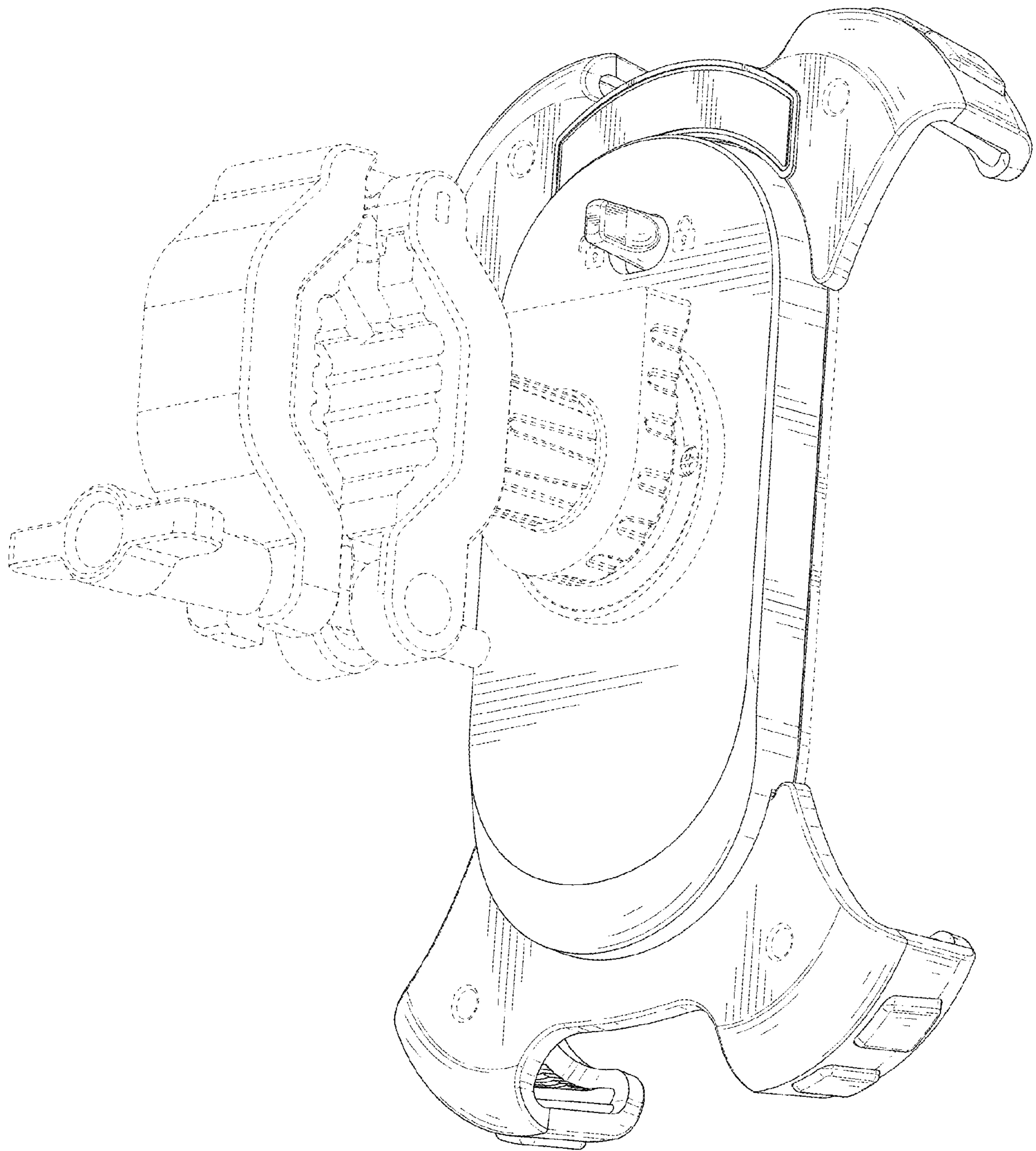


FIG. 9

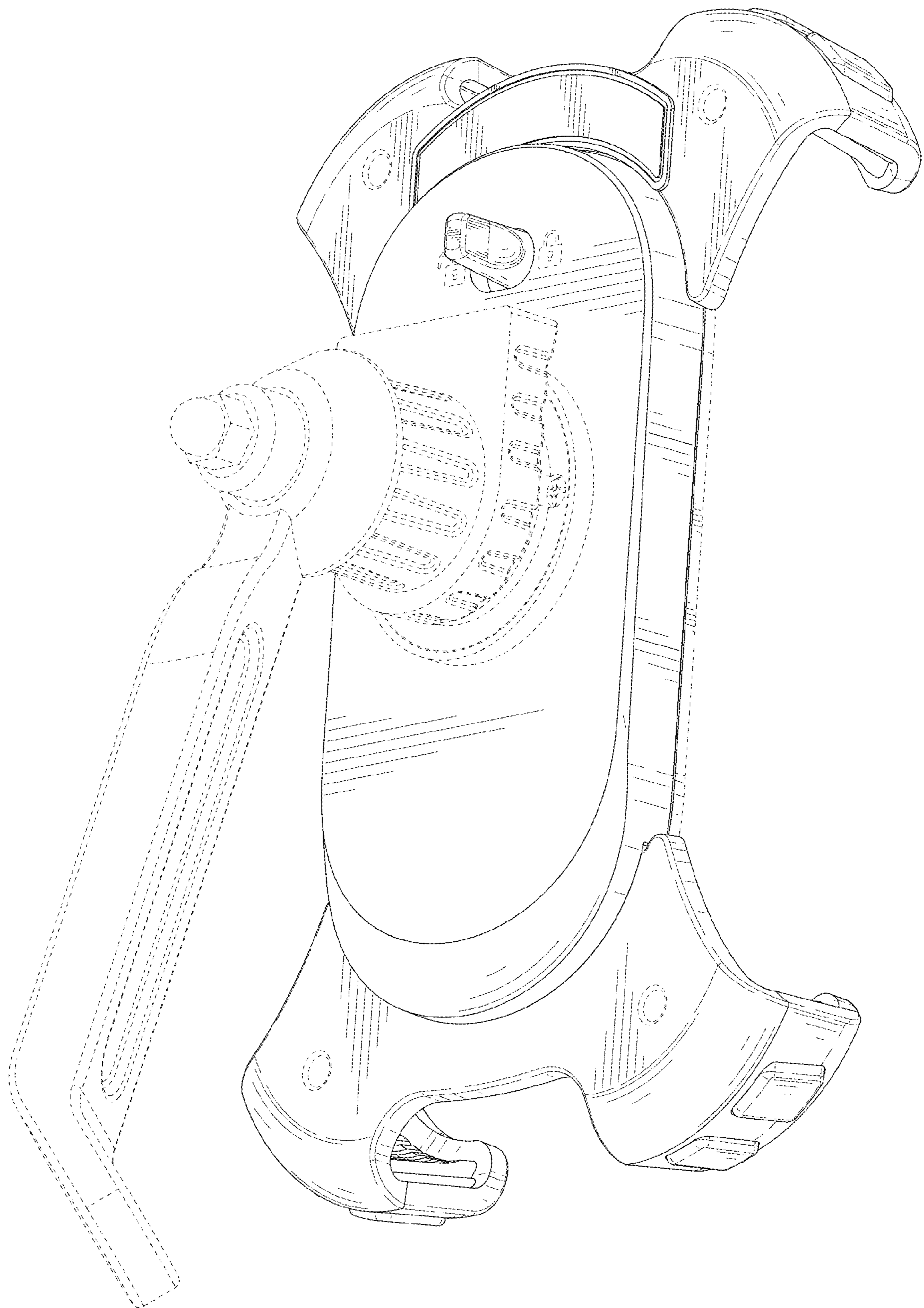


FIG. 10

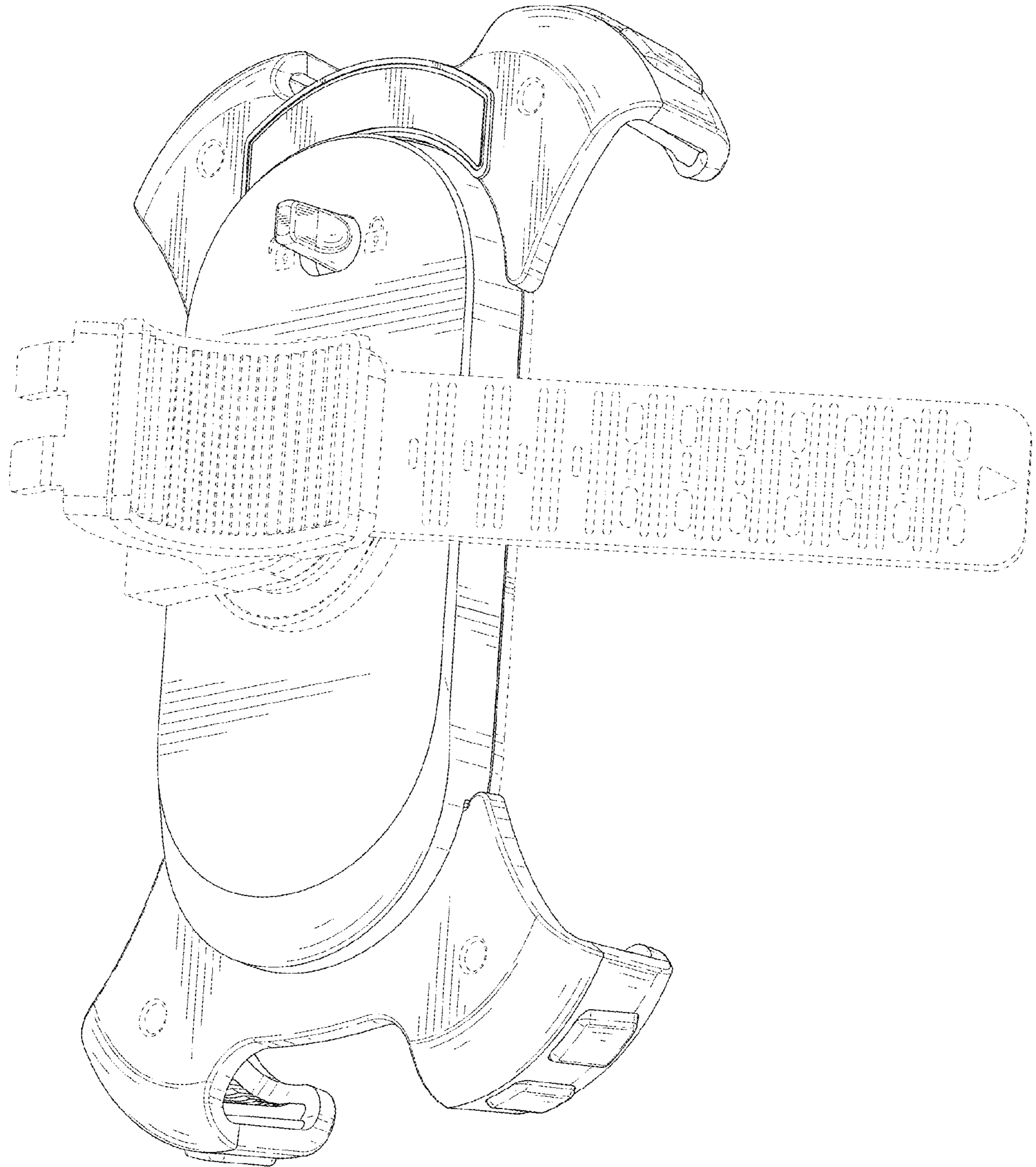


FIG. 11