



US00D967080S

(12) **United States Design Patent** (10) **Patent No.:** **US D967,080 S**
Wong et al. (45) **Date of Patent:** **** Oct. 18, 2022**

(54) **WIRELESS INTEGRATED ANTENNA**

FOREIGN PATENT DOCUMENTS

(71) Applicant: **SG Wireless Limited**, Hong Kong
(HK)

CN 306284856 * 1/2021
CN 306460798 * 4/2021

(Continued)

(72) Inventors: **Wing Tak Kenneth Wong**, Hong Kong
(HK); **Hoi Ming Wong**, Hong Kong
(HK); **Xiao Mao Dai**, Hong Kong (HK)

OTHER PUBLICATIONS

(73) Assignee: **SG Wireless Limited**, Hong Kong
(HK)

TP Link, "USB WiFi Adapter for Desktop" . . . , available at
amazon.com, date first available Aug. 26, 2020, site visited Jul. 13,
2022, available at URL: <https://a.co/d/9dNLbVR> (Year: 2020).*

(Continued)

(**) Term: **15 Years**

Primary Examiner — Daniel J Domino

Assistant Examiner — Samina Vieth

(21) Appl. No.: **29/753,136**

(74) *Attorney, Agent, or Firm* — Idea Intellectual Limited;
Margaret A. Burke; Sam T. Yip

(22) Filed: **Sep. 30, 2020**

(57) **CLAIM**

The ornamental design for a wireless integrated antenna, as
shown and described.

(30) **Foreign Application Priority Data**

DESCRIPTION

Apr. 1, 2020 (CN) 202030122292.2

Apr. 1, 2020 (HK) 2015901.2

(51) **LOC (13) Cl.** **14-03**

(52) **U.S. Cl.**
USPC **D14/230**

(58) **Field of Classification Search**
USPC D14/230, 232, 234–238; D12/42, 32,
D12/400

CPC H01Q 7/10; H01Q 13/10; H01Q 9/285;
H01Q 19/30; H01Q 19/12; H01Q 1/38;
H01Q 1/36; H01Q 2/0027; H01Q 1/48;

(Continued)

A portion of the disclosure of this patent document contains
material, which is subject to copyright protection. The
copyright owner has no objection to the facsimile reproduc-
tion by anyone of the patent document or the patent disclo-
sure, as it appears in the Patent and Trademark Office patent
file or records, but otherwise reserves all copyright rights
whatsoever.

FIG. 1 is a perspective view of a wireless integrated antenna
showing our new design;

FIG. 2 is a front view thereof;

FIG. 3 is an enlarged partial view of portion "A" in FIG. 2;

FIG. 4 is a rear view thereof;

FIG. 5 is a left view thereof;

FIG. 6 is a right view thereof;

FIG. 7 is a top view thereof;

FIG. 8 is an enlarged top view thereof;

FIG. 9 is a bottom view thereof; and,

FIG. 10 is an enlarged bottom view thereof.

(56) **References Cited**

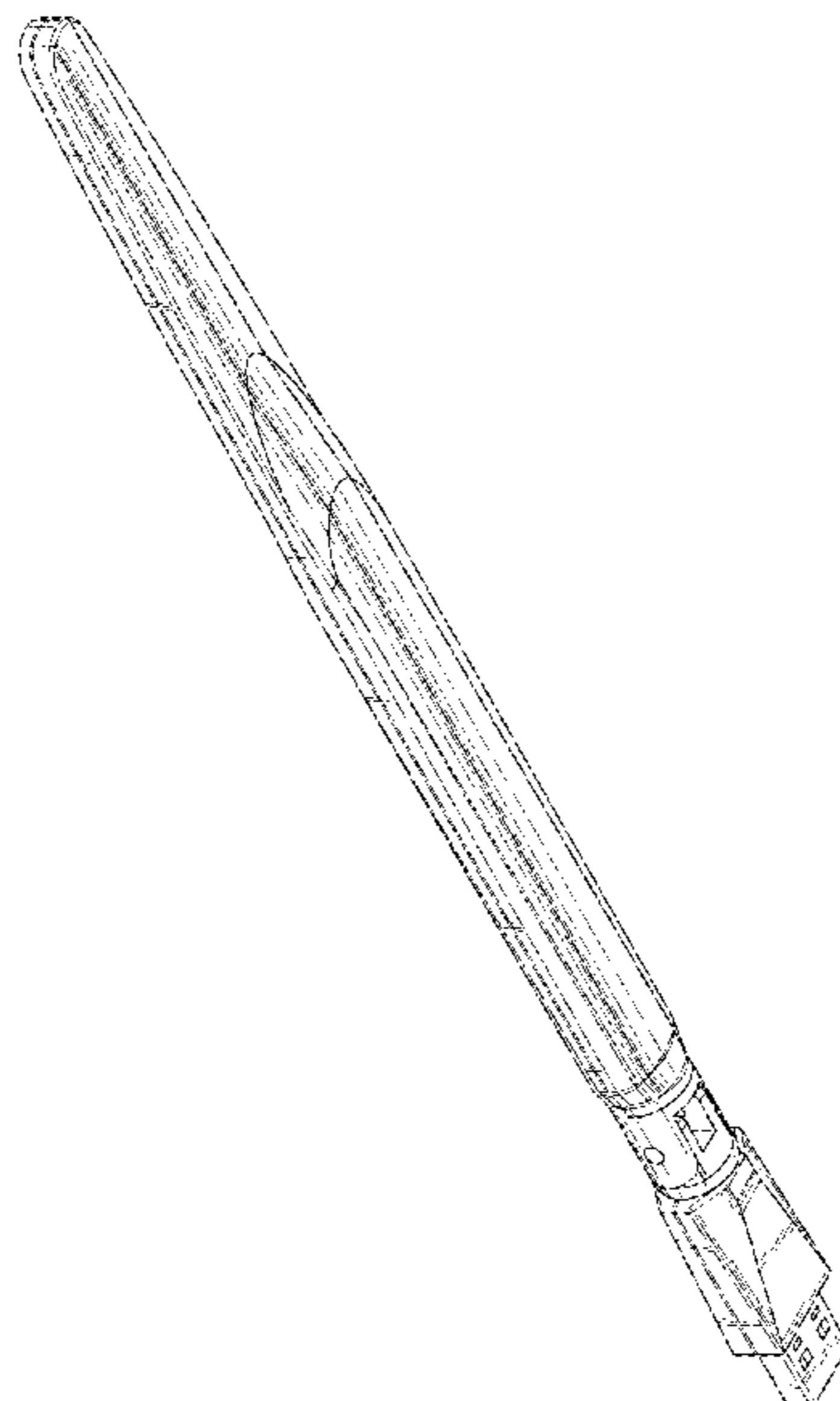
U.S. PATENT DOCUMENTS

D371,369 S * 7/1996 Feldman D14/230

D382,565 S * 8/1997 Martinson D14/230

(Continued)

1 Claim, 8 Drawing Sheets



(58) **Field of Classification Search**

CPC H01Q 9/045; H01Q 1/243; H04B 1/0475;
H04B 1/034; H05K 11/00
See application file for complete search history.

(56) **References Cited**

U.S. PATENT DOCUMENTS

D493,389 S	*	7/2004	Pyykonen	B62M 27/02 D12/7
D516,060 S	*	2/2006	Wu	D14/230
D525,239 S	*	7/2006	Lai	D14/230
D559,838 S	*	1/2008	Yuba	D14/230
D580,419 S	*	11/2008	Wu	D14/230
D827,410 S	*	9/2018	Earley	D12/400
D852,785 S	*	7/2019	Zheng	D14/230
D853,363 S	*	7/2019	Zheng	D14/230
D860,562 S	*	9/2019	Rasmussen	D32/34
D870,083 S	*	12/2019	Zhao	D14/230
D928,750 S	*	8/2021	Li	D14/230
D944,781 S	*	3/2022	Cran	D14/230

FOREIGN PATENT DOCUMENTS

CN	306746206	*	8/2021
CN	306847412	*	9/2021
CN	306984940	*	12/2021
CN	307159662	*	3/2022

OTHER PUBLICATIONS

EDUP, USB WiFi Adapter for PC . . . , available at amazon.com, date first available Dec. 3, 2019, site visited 0/13/2022, available at URL: <https://a.co/d/8laPvbA> (Year: 2019).*

Laird, “DBA6927C1—FSMAM: Dipole Blade Omnidirectional Antenna . . . ”, available at arcantenna.com, date published 2011, site visited Jul. 13, 2022, available at URL: <https://cdn.shopify.com/s/files/1/0345/4055/2323/files/dba6927.pdf?v=1595960153> (Year: 2011).*

L-com, “Dual Band Rubber Duck Antenna . . . ”, available at l-com.com, date published Dec. 5, 2011, site visited Jul. 13, 2022, available at URL: https://www.l-com.com/wireless-antenna-24-ghz-5-ghz-dual-band-rubber-duck-antenna-rp-sma-plug-connector?gclid=EA1a1QobChM1xsfW1qj2-AIVTeHIC3e8gxaEAQYDCABEgKDmPD_BwE (Year: 2011).*

Pulse, “IcebladeWT: WiFi 2.4 . . . ”, available at arcantenna.com, date published Jul. 19, 2016, site visited Jul. 13, 2022, available at URL: <https://www.arcantenna.com/products/icebladewt-wifi-2-4-5-8ghz-tnc> (Year: 2016).*

* cited by examiner

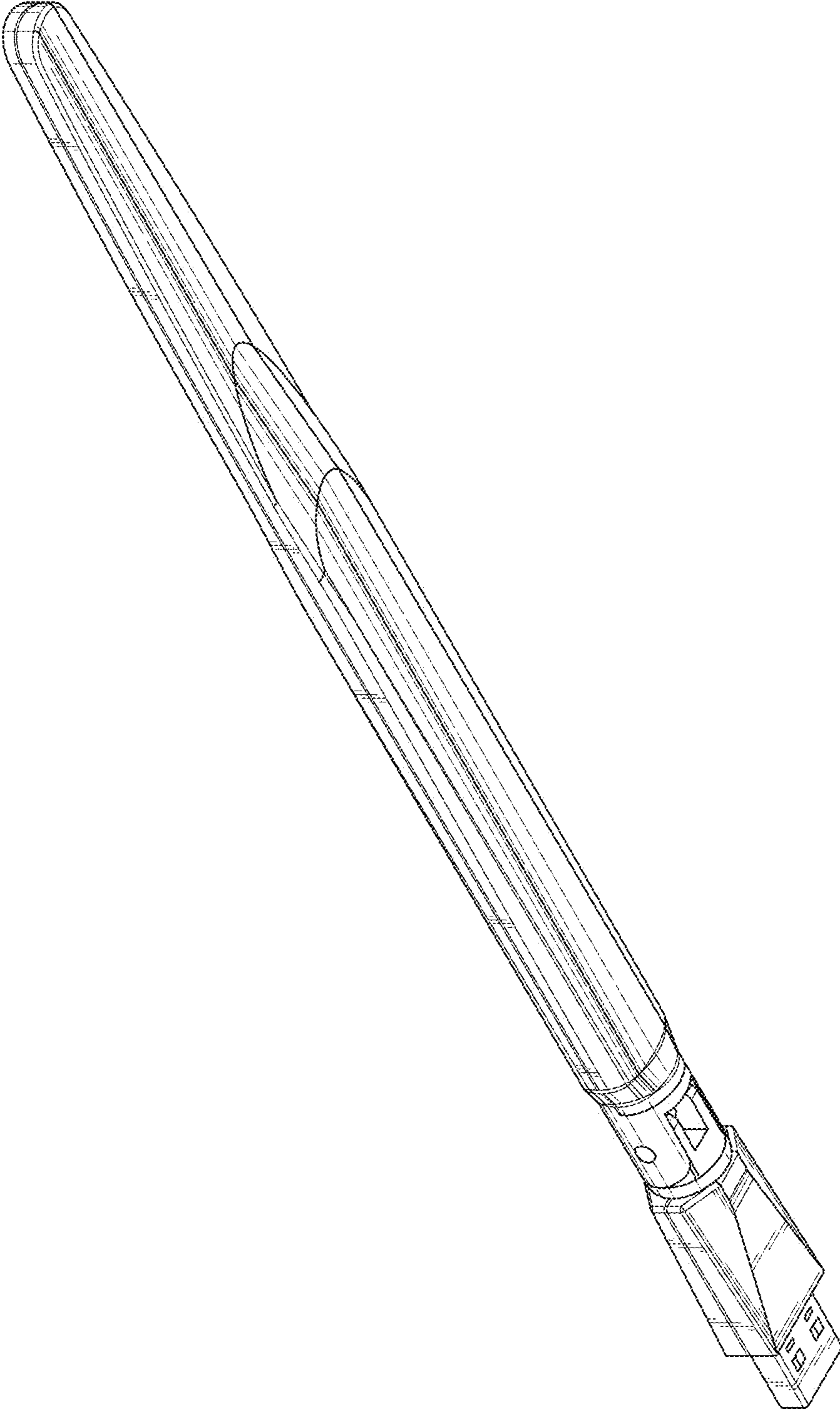


FIG. 1

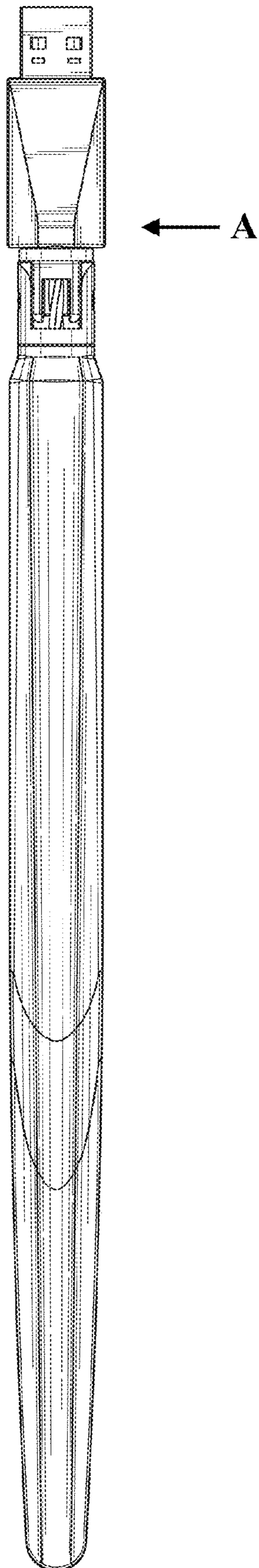


FIG. 2

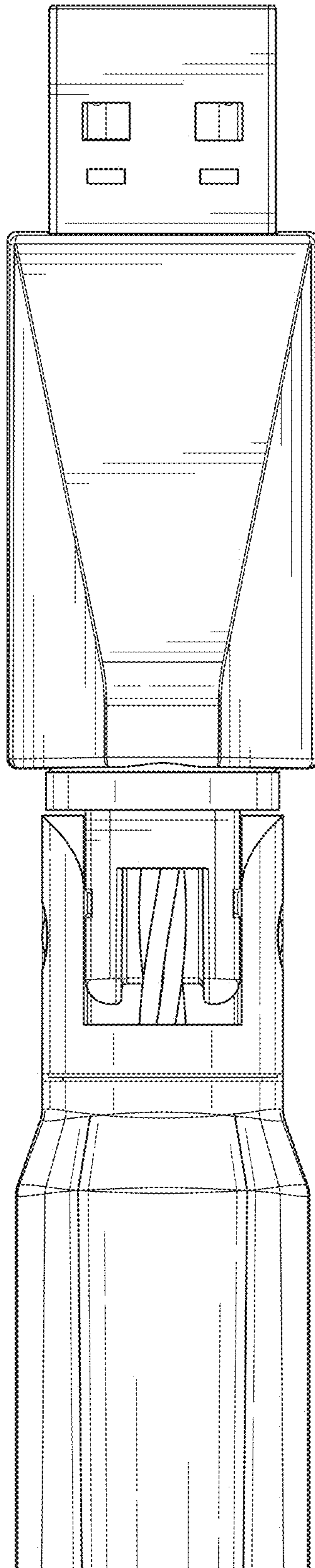


FIG. 3

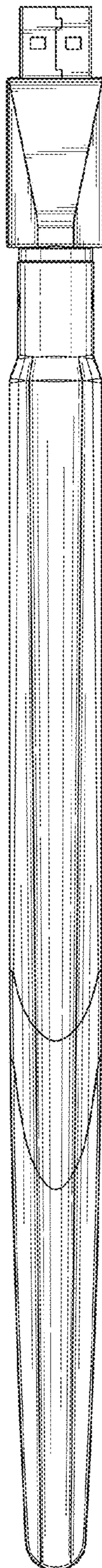


FIG. 4

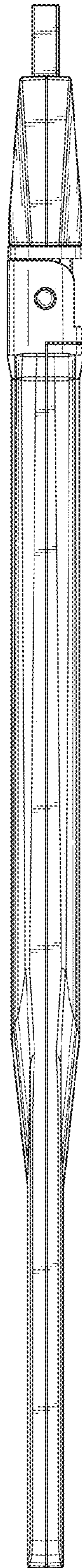


FIG. 5

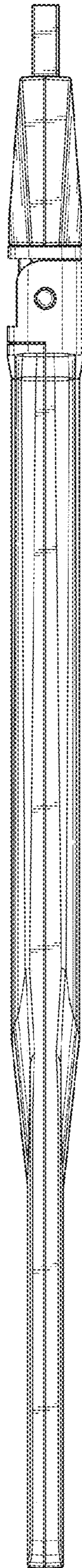


FIG. 6

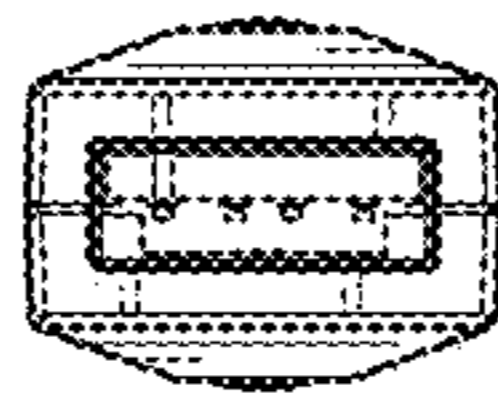


FIG. 7

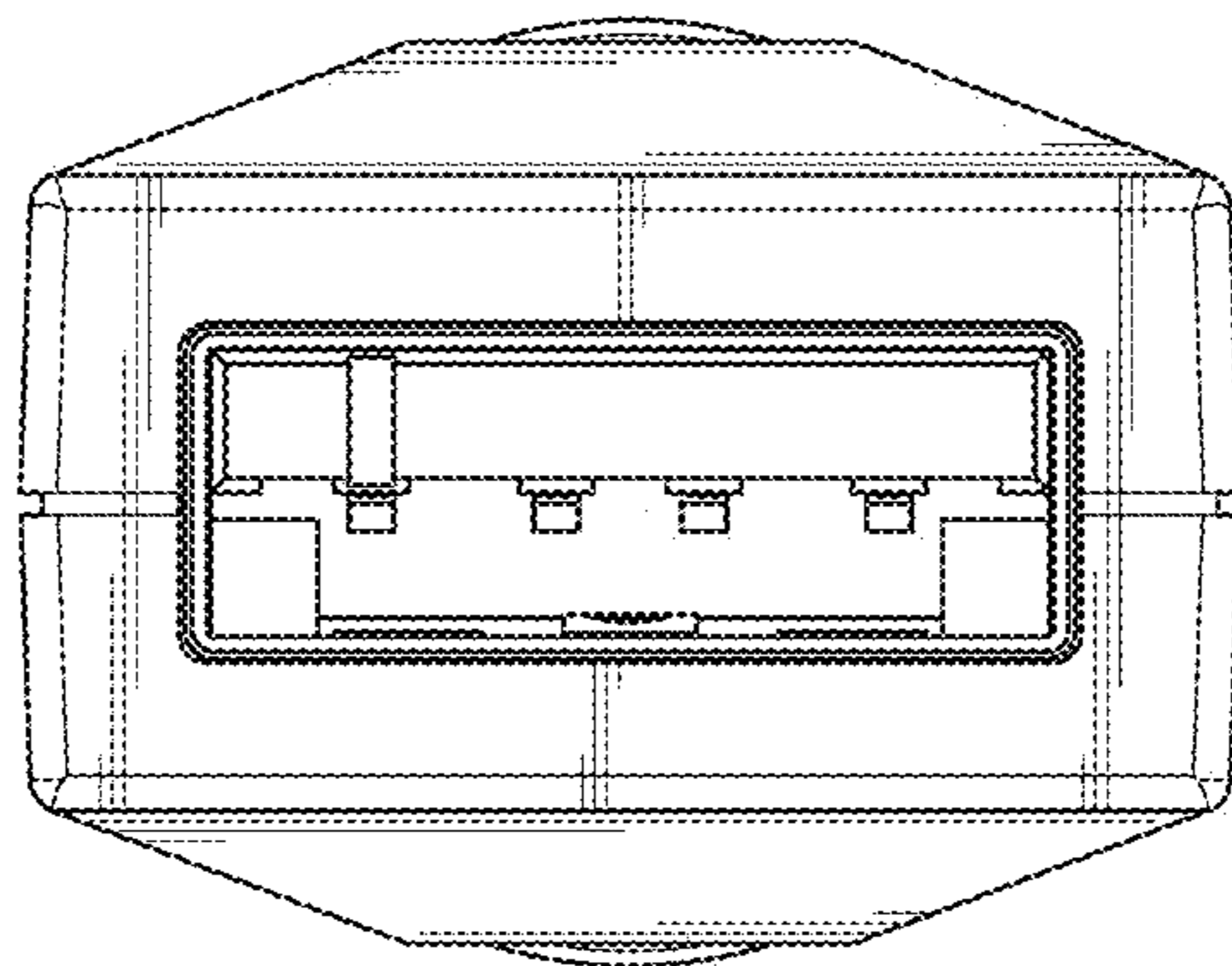


FIG. 8

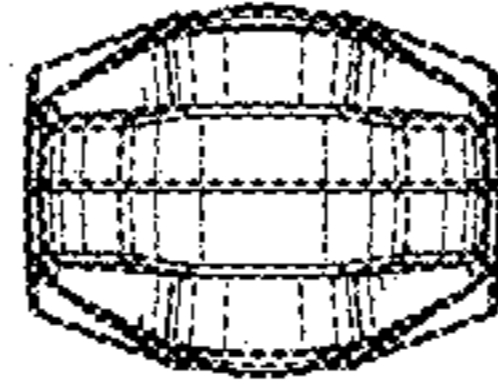


FIG. 9

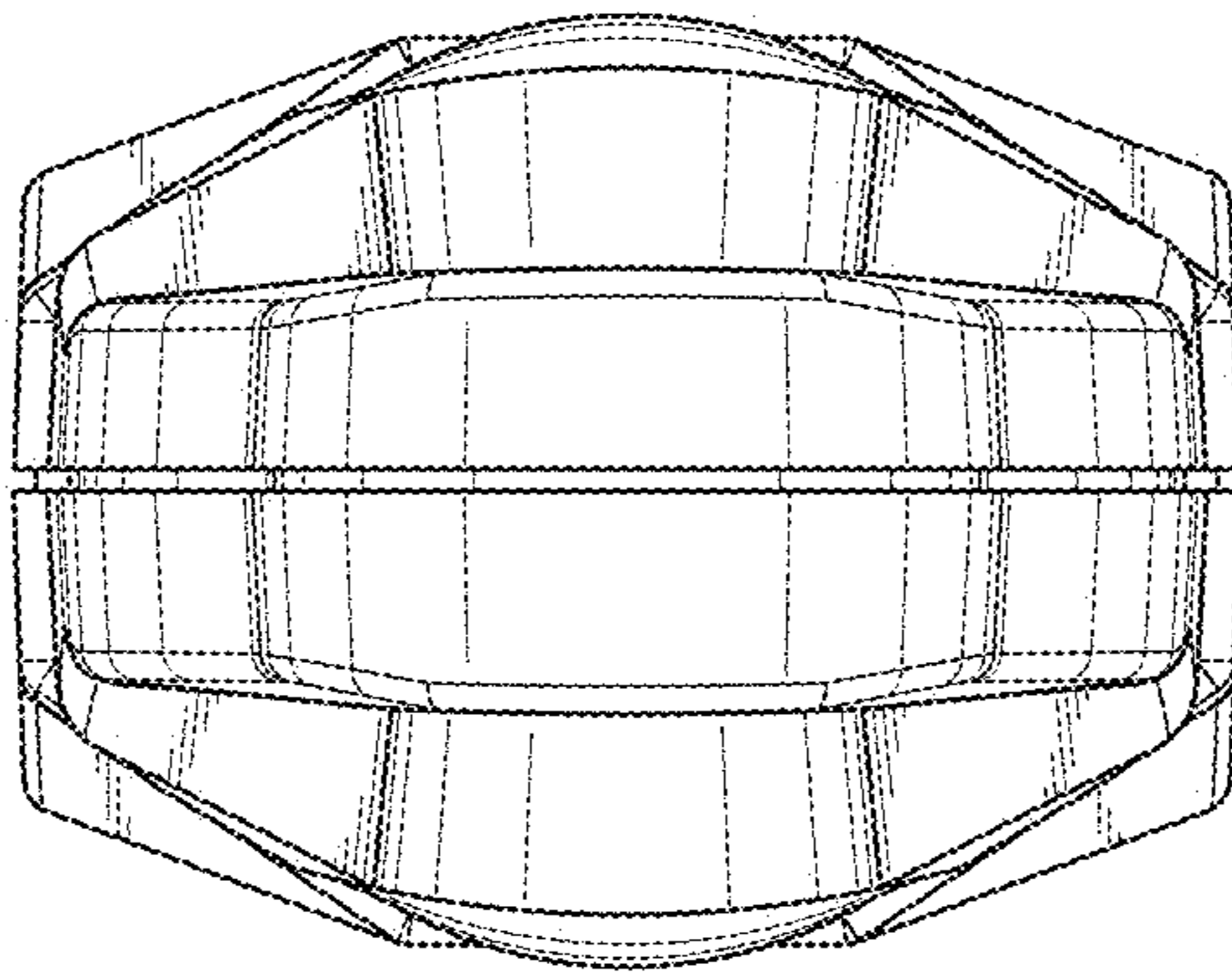


FIG. 10