



US00D967079S

(12) **United States Design Patent** (10) **Patent No.:** **US D967,079 S**
Miller et al. (45) **Date of Patent:** **** Oct. 18, 2022**

(54) **MICROPHONE**

FOREIGN PATENT DOCUMENTS

(71) Applicant: **Shure Acquisition Holdings, Inc.**,
Niles, IL (US)

CN 306824680 * 4/2021
CN 306695482 * 7/2021

(72) Inventors: **John Matthew Miller**, Grayslake, IL
(US); **Michael Alan Diamond**,
Arlington Heights, IL (US)

OTHER PUBLICATIONS

(73) Assignee: **Shure Acquisition Holdings, Inc.**,
Niles, IL (US)

SM7B, first available Jun. 2, 2019 [online], [retrieved Jan. 19, 2022], Available from the Internet, URL:<https://web.archive.org/web/20190602133131/https://www.shure.com/en-US/products/microphones/sm7b (Year: 2019).*

(**) Term: **15 Years**

USB Microphone, first available May 19, 2019 [online], [retrieved Jan. 19, 2022], Available from the Internet, URL:<https://www.amazon.com/dp/B07SGB9329/ref=cm_sw_em_r_mt_dp_5Z0XA4QP4C5JMDP260RW>. (Year: 2019).*

(21) Appl. No.: **29/750,265**

(Continued)

(22) Filed: **Sep. 11, 2020**

(51) **LOC (13) Cl.** **14-01**

Primary Examiner — Shawn T Gingrich

(52) **U.S. Cl.**

Assistant Examiner — Russell Carnell Smith, Jr.

USPC **D14/228**

(74) *Attorney, Agent, or Firm* — Banner & Witcoff, Ltd.

(58) **Field of Classification Search**

USPC D14/150, 154, 155, 158, 160, 172, 221,
D14/224, 225, 226, 227, 228, 229;
D17/99; D21/405, 513

(57) **CLAIM**

CPC H04R 19/00; H04R 19/04; H04R 1/04;
H04R 1/08; H04R 1/326; H04R 1/406;
H04R 29/004; H04R 2410/00; H04R
2410/01; H04R 2410/03; H04R 2410/05;
H04R 2410/07; H04R 2420/07; H04R
17/02

The ornamental design for a microphone, as shown and described.

See application file for complete search history.

DESCRIPTION

(56) **References Cited**

U.S. PATENT DOCUMENTS

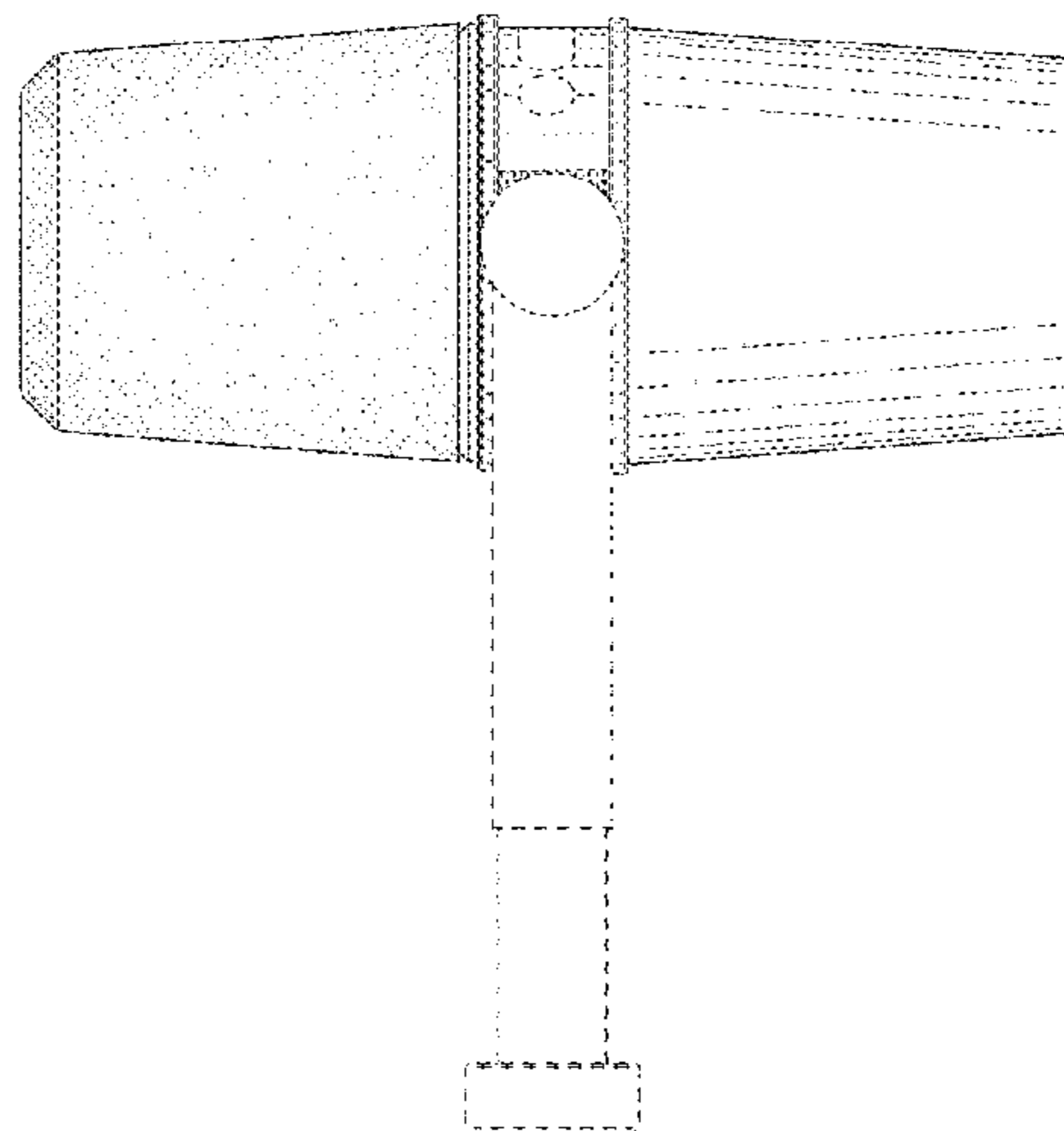
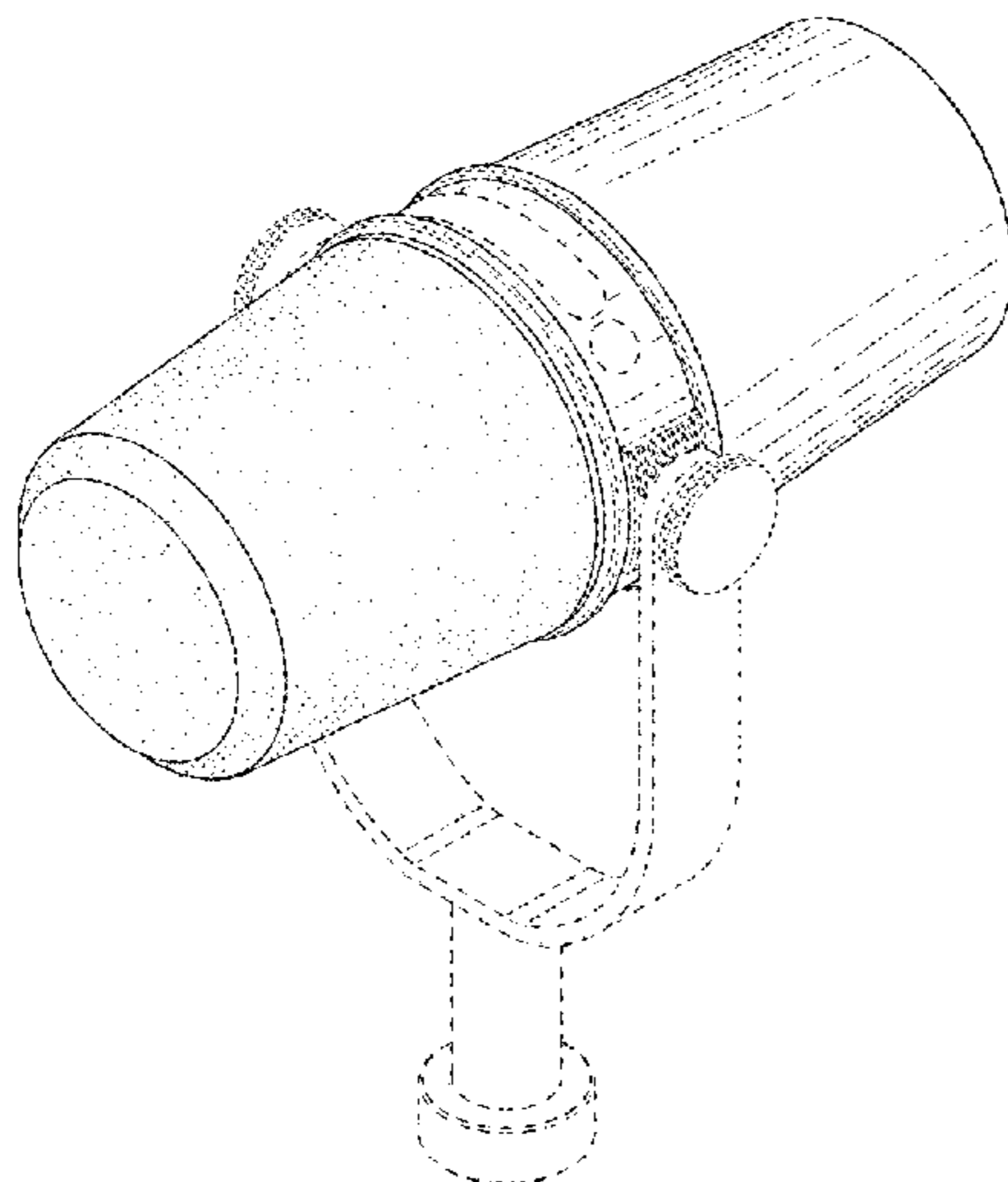
D400,540 S * 11/1998 Cruver, IV D14/228
D412,708 S * 8/1999 Okon D14/228
D430,864 S * 9/2000 Chung D14/228
D431,554 S * 10/2000 Chung D14/228
D441,354 S * 5/2001 Jing D14/228
D448,364 S * 9/2001 Chung D14/228
D457,876 S * 5/2002 Chung D14/228
D475,038 S * 5/2003 Jarodsky D14/228
D475,039 S * 5/2003 Thornton D14/228

FIG. 1 is a top, front, right perspective view of a microphone showing our new design;
FIG. 2 is a front view thereof;
FIG. 3 is a rear view thereof;
FIG. 4 is a right side view thereof;
FIG. 5 is a left side view thereof;
FIG. 6 is a top view thereof; and,
FIG. 7 is a bottom view thereof.

The uneven-length broken lines and the even-length broken lines immediately adjacent to the shaded area define the bounds of the claimed design and form no part thereof. The remaining even-length broken lines show portions of the microphone that form no part of the claimed design. The stippling of FIGS. 1-2 and 4-7 does not represent any particular color, pattern, material, texture, or finish.

(Continued)

1 Claim, 7 Drawing Sheets



(56)

References Cited

U.S. PATENT DOCUMENTS

D516,546	S	*	3/2006	Sobol	D14/228
D535,645	S	*	1/2007	Probst	D14/225
D603,849	S	*	11/2009	Durrett	D14/228
D604,274	S	*	11/2009	Durrett	D14/228
D746,797	S	*	1/2016	Chen	D14/228
D834,004	S	*	11/2018	Chen	D14/226
D834,564	S	*	11/2018	Chen	D14/226
D839,856	S	*	2/2019	Chen	D14/228
D842,278	S	*	3/2019	Tong	D14/227
D842,846	S	*	3/2019	Mai	D14/225
D848,404	S	*	5/2019	Chen	D14/227
D849,721	S	*	5/2019	Chen	D14/227
D850,423	S	*	6/2019	Chen	D14/227
D851,073	S	*	6/2019	Tong	D14/227
D855,584	S	*	8/2019	Laine	D14/216
D864,921	S	*	10/2019	Mai	D14/227
D864,922	S	*	10/2019	Mai	D14/227
D868,754	S	*	12/2019	Chou	D14/225
D890,141	S	*	7/2020	Chen	D14/228
D890,732	S	*	7/2020	Chen	D14/227
D899,407	S	*	10/2020	Mai	D14/227
D902,283	S	*	11/2020	Kao	D16/208
D905,023	S	*	12/2020	Renwick	D14/227
D910,605	S	*	2/2021	Renwick	D14/227
D917,429	S	*	4/2021	Xiang	D14/225
D917,430	S	*	4/2021	Mai	D14/225
D917,432	S	*	4/2021	Mai	D14/227
D917,433	S	*	4/2021	Wang	D14/228
D918,184	S	*	5/2021	Xiang	D14/225
D918,186	S	*	5/2021	Mai	D14/227
D918,876	S	*	5/2021	Mai	D14/227
D919,604	S	*	5/2021	Mai	D14/227
D925,505	S	*	7/2021	Wang	D14/228
D925,506	S	*	7/2021	Wang	D14/228
D930,624	S	*	9/2021	Renwick	D14/227
D933,640	S	*	10/2021	Zhou	D14/229
2021/0160611	A1	*	5/2021	Balgemann		

OTHER PUBLICATIONS

Shure MV7, first available Oct. 26, 2020 [online], [retrieved Jan. 19, 2022], Available from the Internet, URL:<https://www.amazon.com/dp/B08G7RG9ML/ref=cm_sw_em_r_mt_dp_VH8Q6D4F4FHSQ0R1NPFW>. (Year: 2020).*

HyperX SoloCast, first available Nov. 2, 2020 [online], [retrieved Jan. 19, 2022], Available from the Internet, URL:<https://www.amazon.com/dp/B08KFL3SFV/ref=cm_sw_em_r_mt_dp_W60PJWFVJMZZVE0JZRKQ>. (Year: 2020).*

“For Studio Sound That Speaks Volumes,” from Shure website; retrieved Dec. 15, 2020; first date of publication of website pages unknown but SM7B product shown on website pages first sold more than one year prior to filing date of present application, URL<<https://www.shure.com/en-US/products/microphones/sm7b>>. (10 pages). Shure 2010 Product Catalog, p. 21, published 2010, Shure Incorporated (1 page).

Shure 2014 Product Catalog, p. 9, published 2014, Shure Incorporated (1 page).

Shure Catalog, p. 7 with header “unidirectional dynamic microphones,” published 1974, Shure Brothers Incorporated (1 page).

Shure Pro Products Catalog, p. 4 with header “Professional Studio/unidirectional dynamic microphone,” published 1986, Shure Brothers, Incorporated (1 page).

Shure Professional Products Data, p. 3 with side banner “Technical Data Shure Models SM5A and SM5B Unidirectional Boom Microphones,” published 1964 and/or 1965, Shure Brothers Incorporated (1 page).

Shure 2018 Product Catalog, p. 11, published 2018, Shure Incorporated (1 page).

AEA R84A, first available Mar. 23, 2018 [online], [retrieved Jan. 31, 2022], Available from the Internet, URL:<https://www.amazon.com/dp/B07BKQM6ST/ref=cm_sw_em_r_mt_dp_1EJBKBWPVPWGJW1D1ZJ7>. (Year: 2018).

* cited by examiner

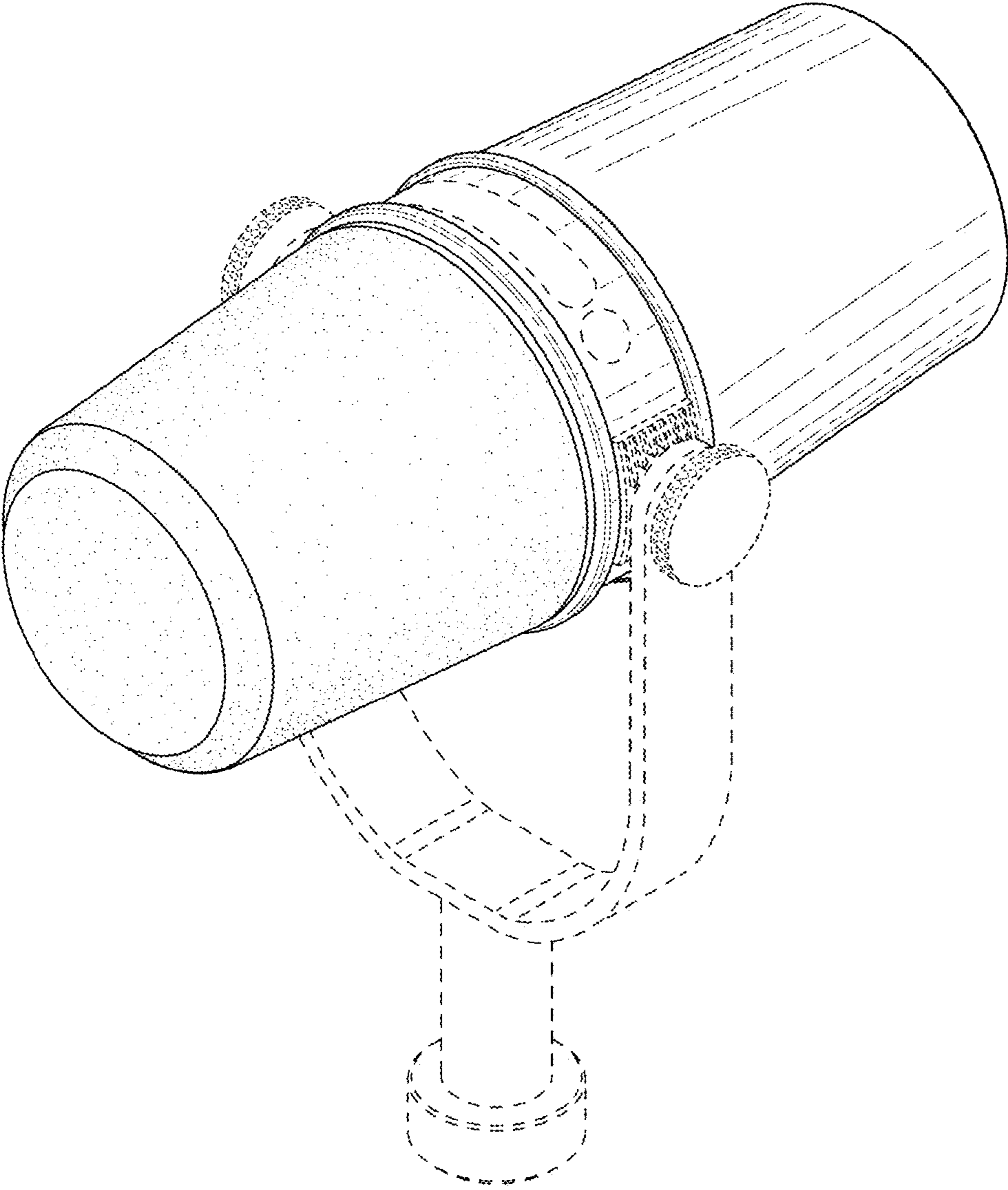


FIG. 1

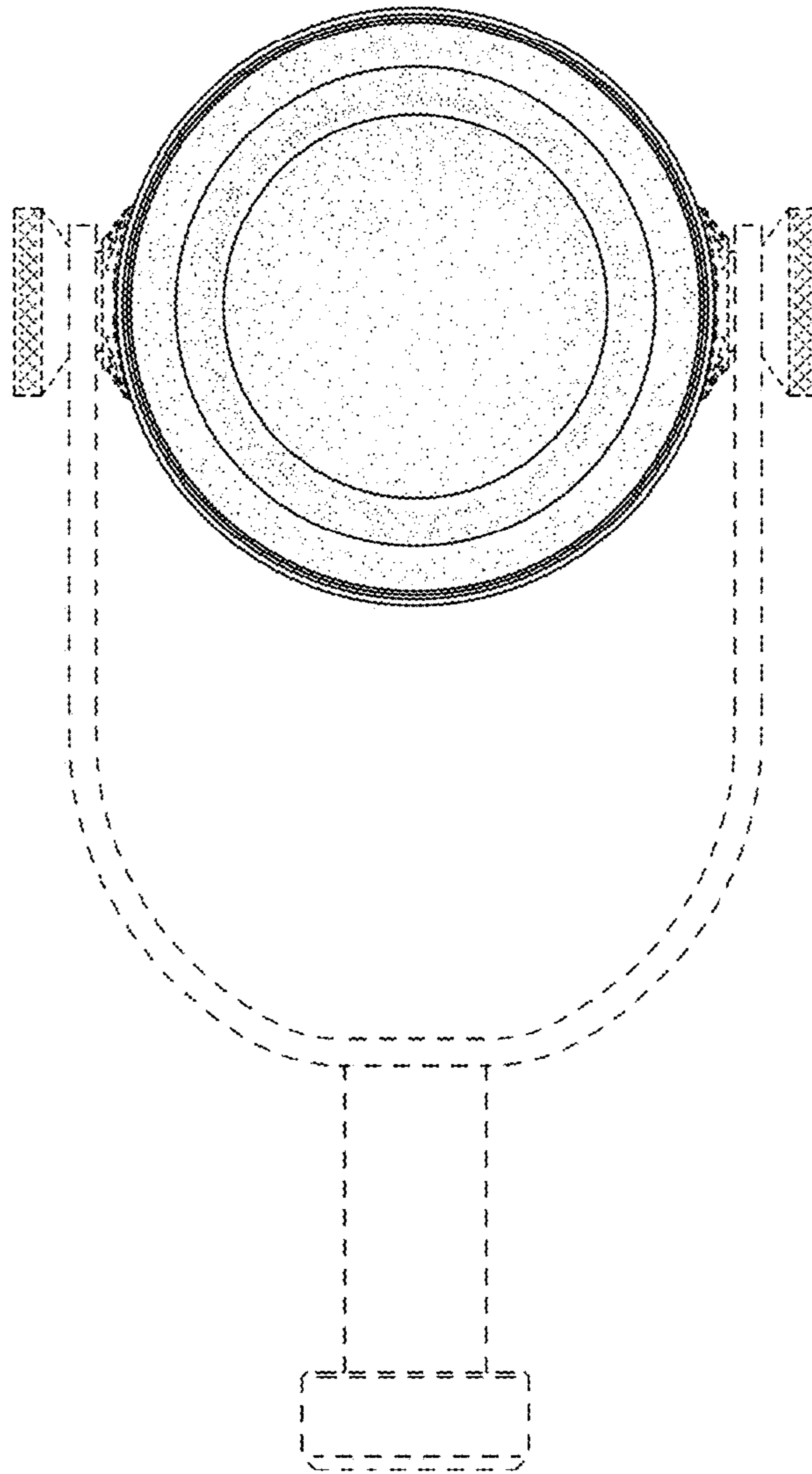


FIG. 2

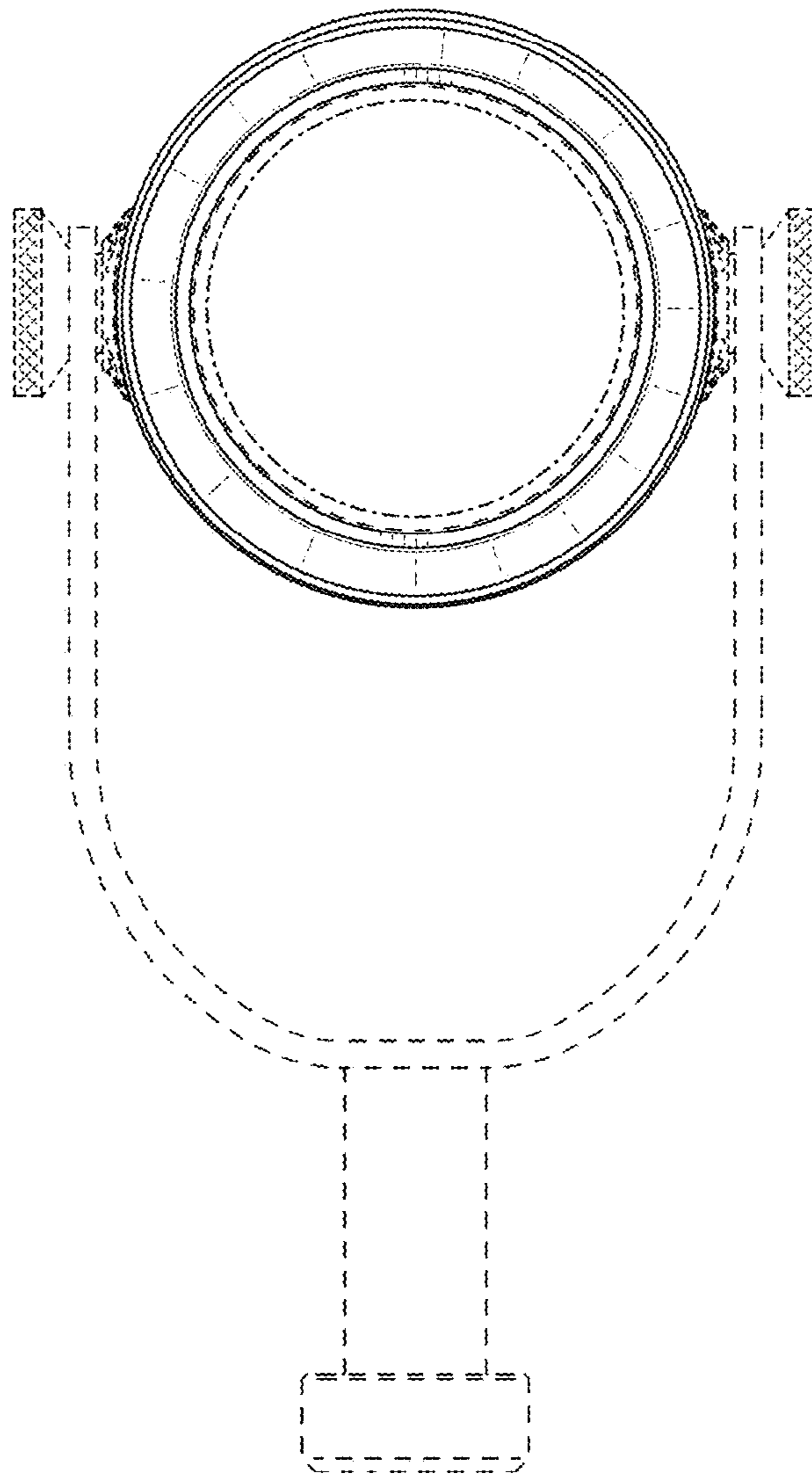


FIG. 3

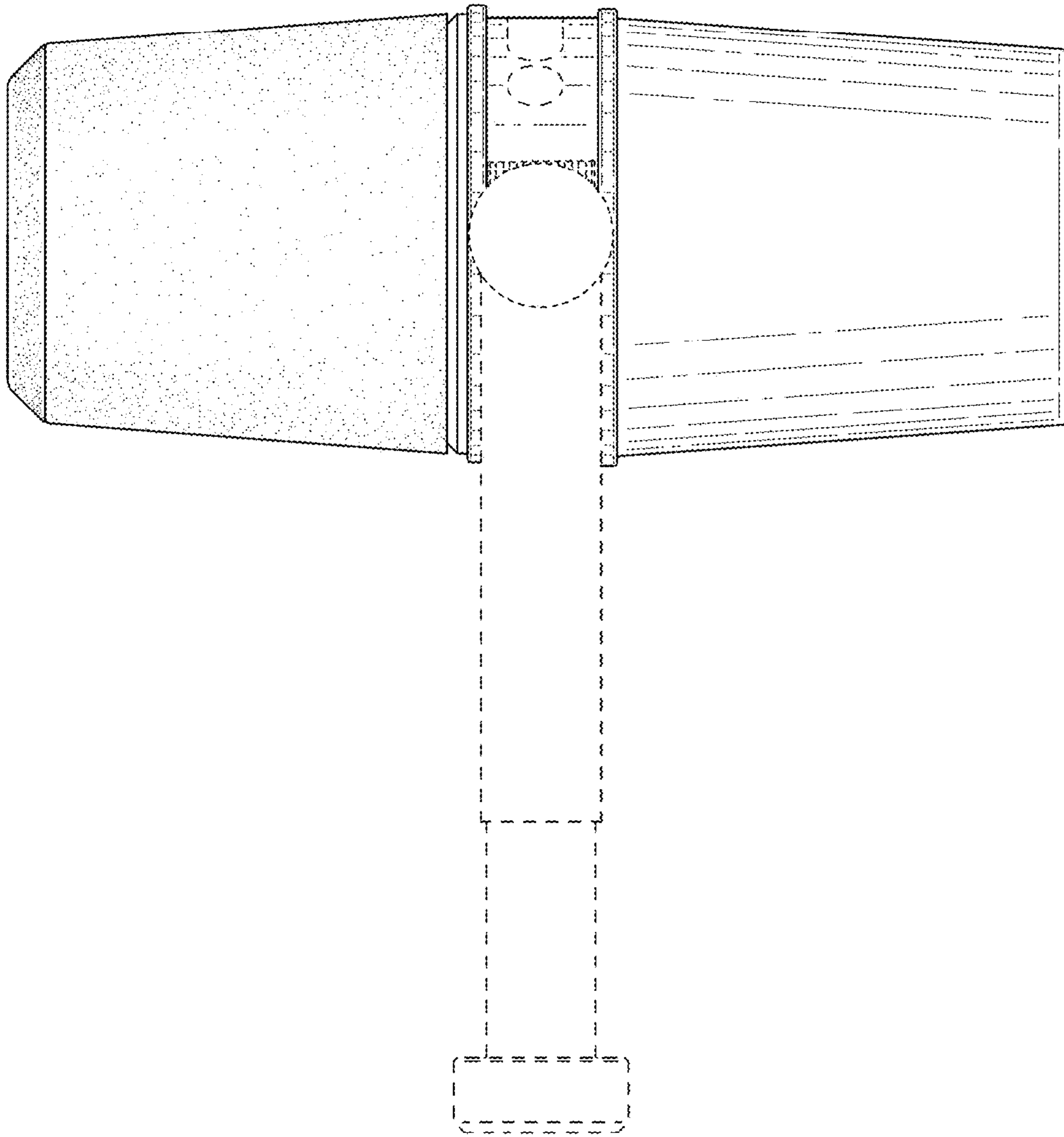


FIG. 4

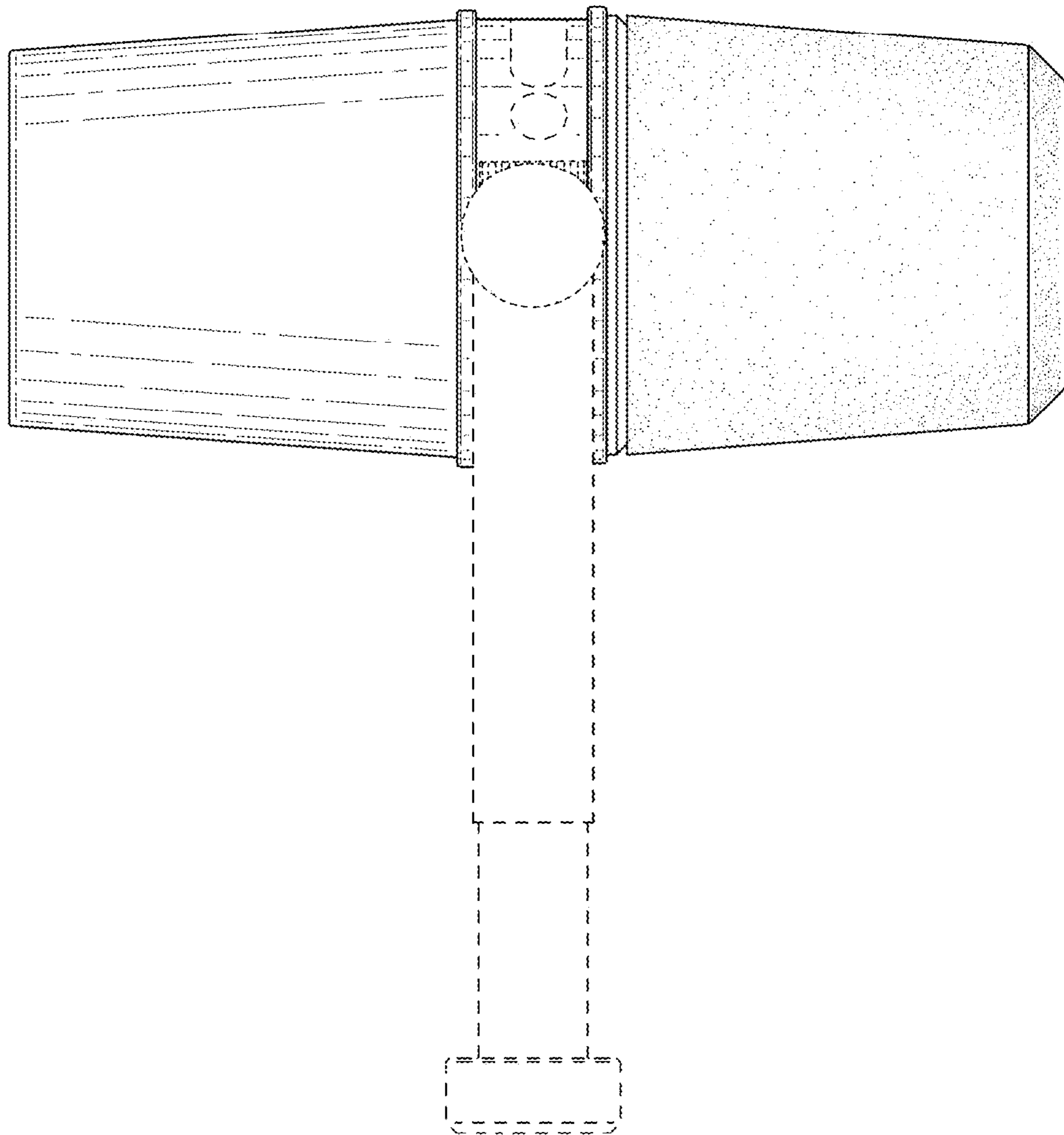


FIG. 5

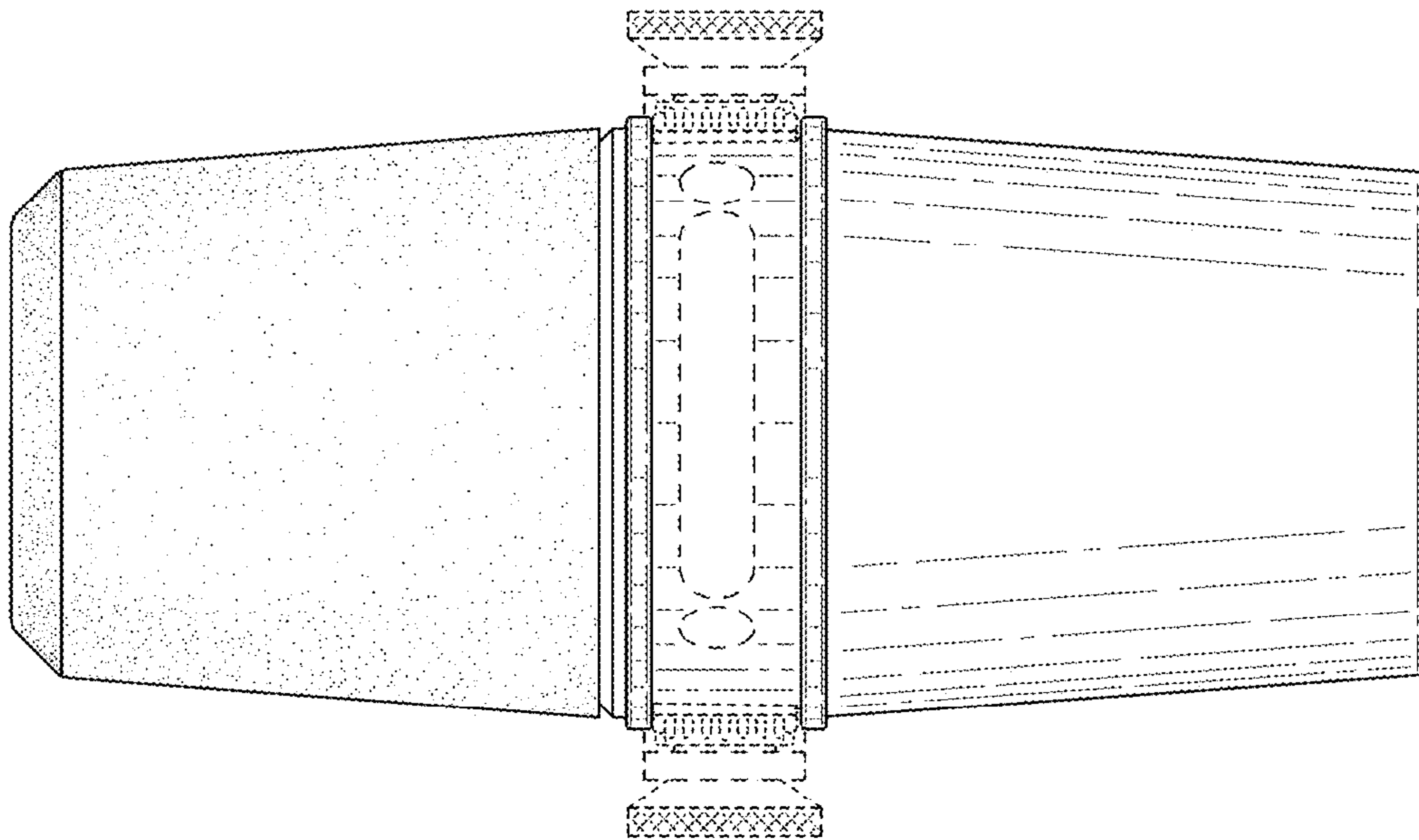


FIG. 6

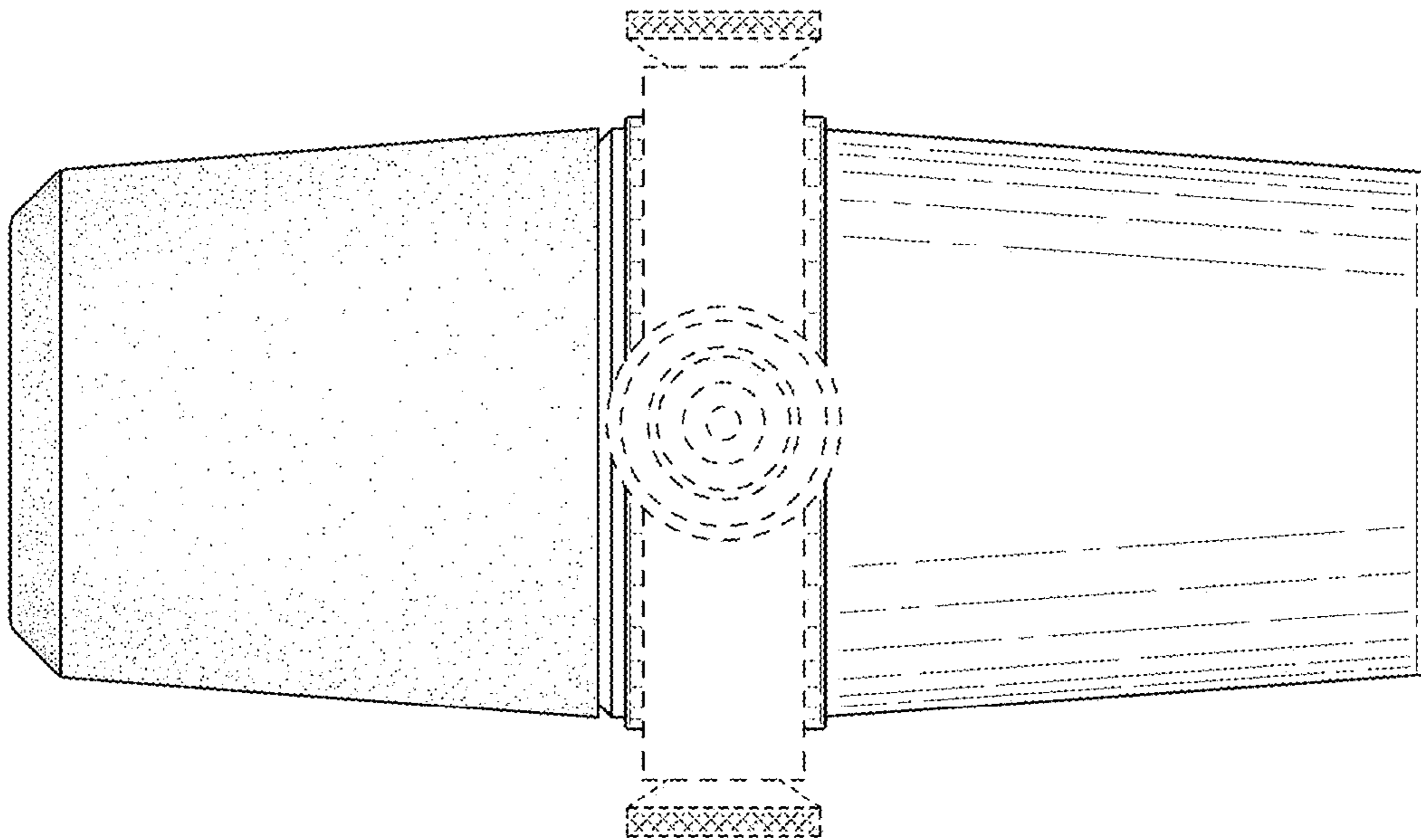


FIG. 7