



US00D967077S

(12) **United States Design Patent** (10) **Patent No.:** **US D967,077 S**
Liu (45) **Date of Patent:** **** Oct. 18, 2022**

(54) **MICROPHONE**

FOREIGN PATENT DOCUMENTS

(71) Applicant: **Shenzhen Jing Peng Xing Electronic Technology Co., Ltd., Shenzhen (CN)**

CN 306363417 * 3/2021
CN 306760861 * 8/2021
GB 6138668 * 5/2021

(72) Inventor: **Qi Liu, Shenzhen (CN)**

OTHER PUBLICATIONS

(**) Term: **15 Years**

Tisy USB Microphone, date first available: Aug. 17, 2020, [retrieved Jul. 13, 2022], Retrieved from Internet, URL: <https://www.amazon.com/dp/B08G19M7QS/ref=sspa_dk_detail_9?psc=1&pf_rd_p=3481f441-61ac-4028-9c1a-7f9ce8ec50c5&pf_rd_r=XTHESPZ28P%E2%80%A6> (Year: 2020).*

(21) Appl. No.: **29/785,014**

(22) Filed: **May 24, 2021**

(Continued)

(51) **LOC (13) Cl.** **14-01**

(52) **U.S. Cl.**

USPC **D14/225**

Primary Examiner — Messina L Smith

Assistant Examiner — Aram Kwon

(58) **Field of Classification Search**

USPC D14/155–159, 160–173, 187–188,
D14/189–198, 203.1–203.8, 204–216,
D14/217–222, 224–229, 257–258, 496,
D14/498–506; D6/672–673, 675.1, 682
CPC H04R 1/02; H04R 1/021; H04R 1/025;
H04R 1/026; H04R 1/028; H04R 1/06;
H04R 1/105; H04R 1/323; H04R 1/403;
H04R 1/2803; H04R 1/2834
See application file for complete search history.

(57) **CLAIM**

The ornamental design for a microphone, as shown and described.

DESCRIPTION

(56) **References Cited**

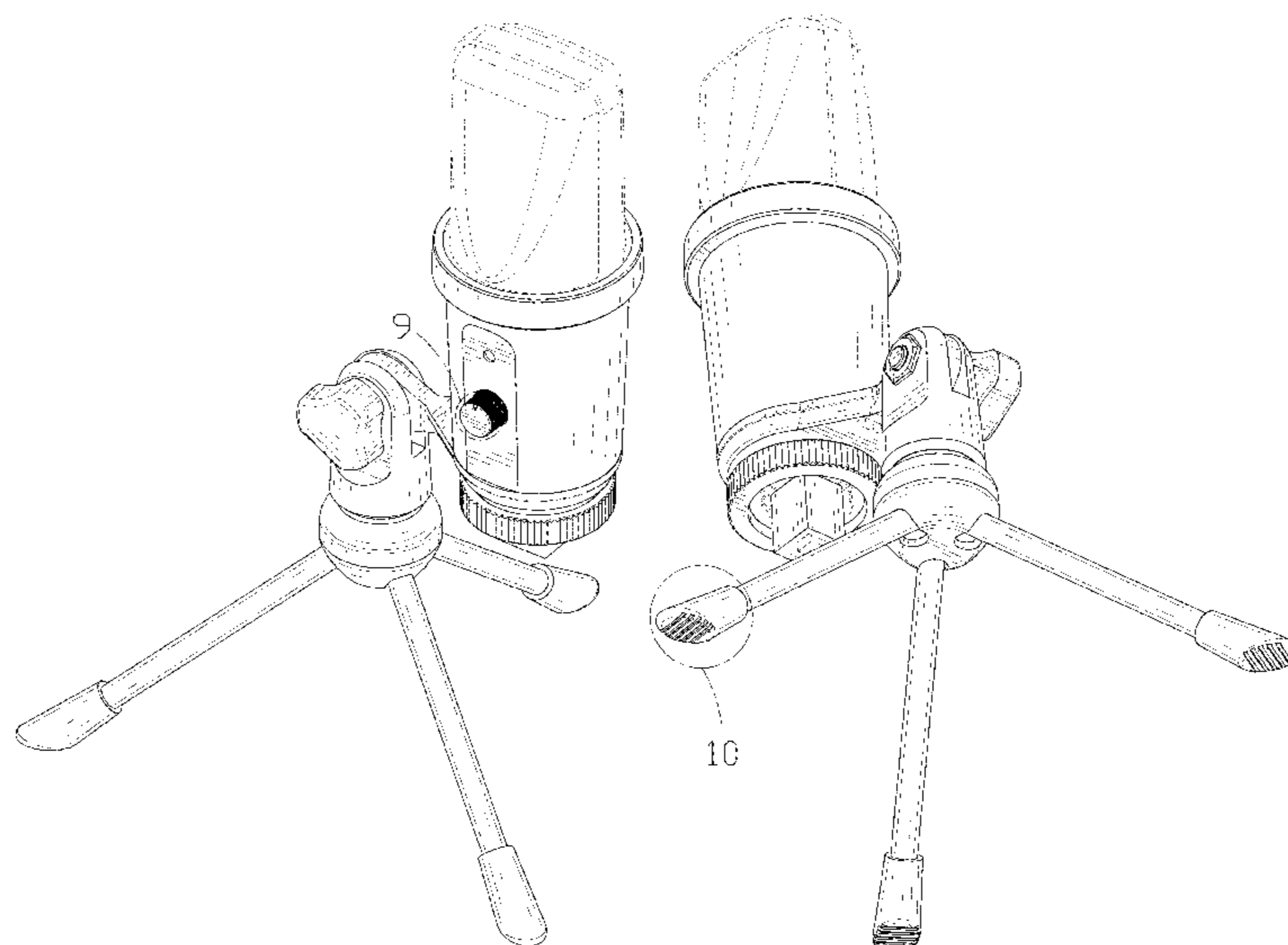
U.S. PATENT DOCUMENTS

D673,204 S * 12/2012 Bae D16/244
D746,797 S * 1/2016 Chen D14/228
D839,856 S * 2/2019 Chen D14/228
D849,721 S * 5/2019 Chen D14/227
D850,423 S * 6/2019 Chen D14/227
D864,921 S * 10/2019 Mai D14/227
D864,922 S * 10/2019 Mai D14/227
D919,604 S 5/2021 Mai
D960,875 S * 8/2022 Mai D14/227
2008/0253601 A1 * 10/2008 Hilderman H04R 1/08
381/363
2013/0313394 A1 * 11/2013 Hogan H04R 1/08
248/499

FIG. 1 is a front and top perspective view of a microphone, showing my new design;
FIG. 2 is a rear and bottom perspective view thereof;
FIG. 3 is a front elevation view thereof;
FIG. 4 is a rear elevation view thereof;
FIG. 5 is a left side elevation view thereof;
FIG. 6 is a right side elevation view thereof;
FIG. 7 is a top plan view thereof;
FIG. 8 is a bottom plan view thereof;
FIG. 9 is an enlarged view of an encircled portion of the microphone labeled 9 in FIG. 1; and,
FIG. 10 is an enlarged view of an encircled portion of the microphone labeled 10 in FIG. 2.

The evenly-dashed broken lines in the figures illustrate portions of the microphone that form no part of the claimed design. The dash-dot broken lines in FIGS. 1, 2, 9 and 10 encircling portions that are illustrated in enlargements form no part of the claimed design.

1 Claim, 10 Drawing Sheets



(56)

References Cited

OTHER PUBLICATIONS

Xtream M4, date not available, [retrieved Jul. 13, 2022], Retrieved from Internet, URL: <<https://www.adeso.com/product/cardioid-usb-microphone-with-stand/>> (Year: 2022).*

Fifine K669 USB Microphone, review date: May 3, 2017, [retrieved Jul. 13, 2022], Retrieved from Internet, URL: <<https://fifinemicrophone.com/products/usb-microphone-with-volume-control-k669-669b>> (Year: 2017).*

MAONO Voice Changer, review date: Jul. 7, 2021, [retrieved Jul. 13, 2022], Retrieved from Internet, URL: <https://www.alibaba.com/product-detail/MAONO-Voice-Changer-Musical-Mixer-Instrument_62286067802.html> (Year: 2021).*

Professional USB Condenser Microphone, date not available, [retrieved Jul. 13, 2021], Retrieved from Internet, URL: <<https://www.mytrendyphone.eu/shop/professional-usb-condenser-microphone-tripod-stand-ak-5-264902p.html>> (Year: 2022).*

* cited by examiner

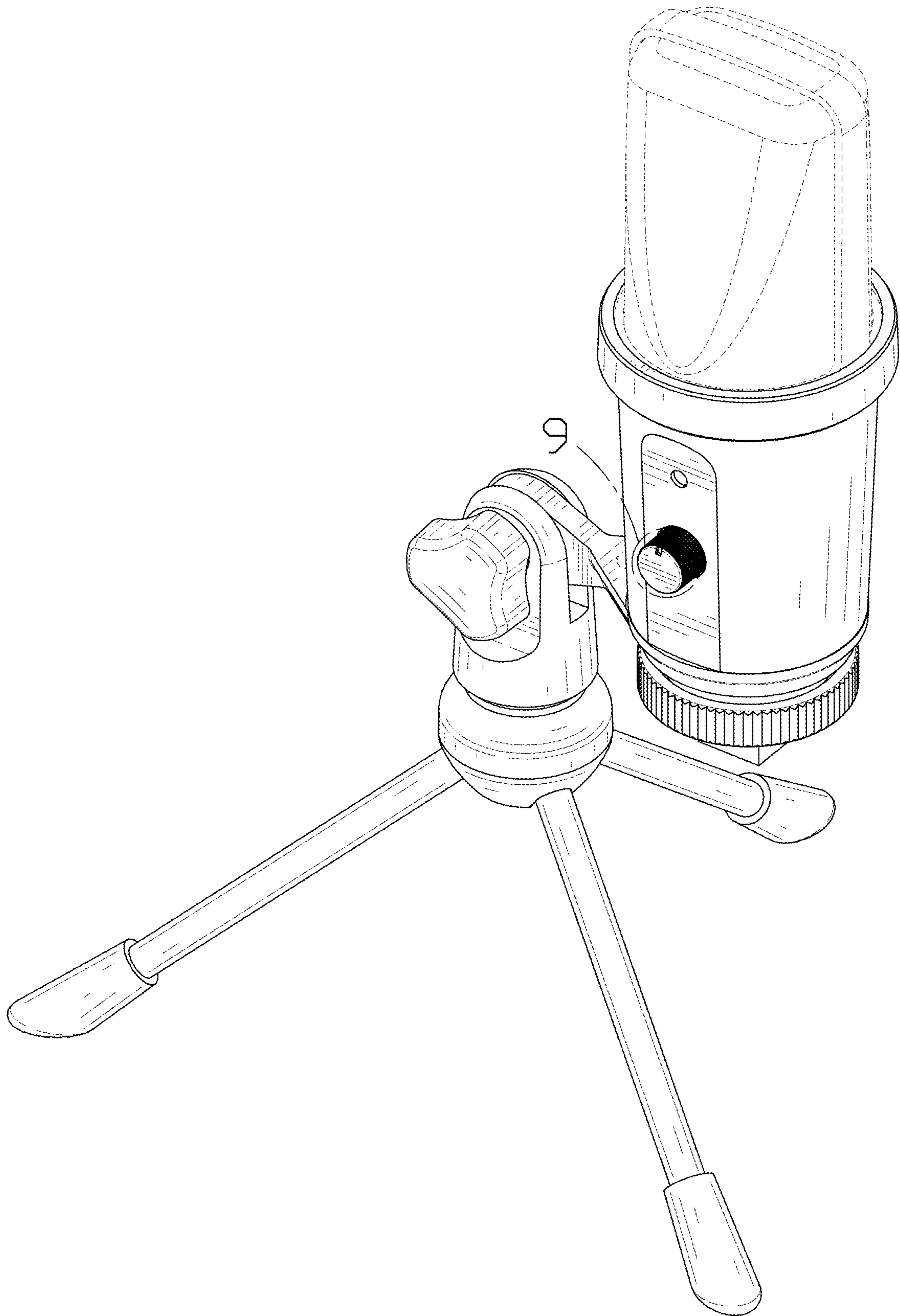
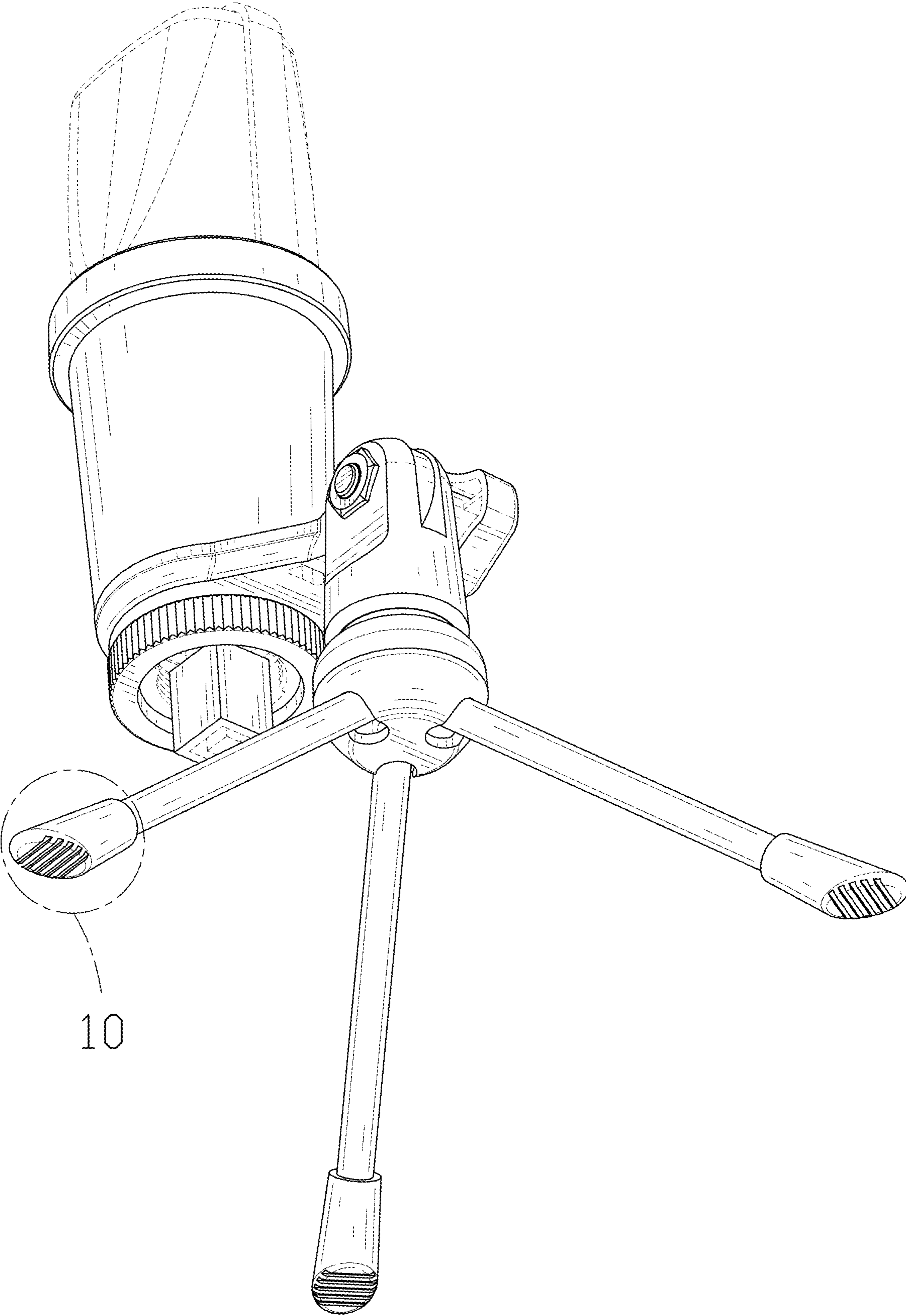


FIG. 1



10

FIG. 2

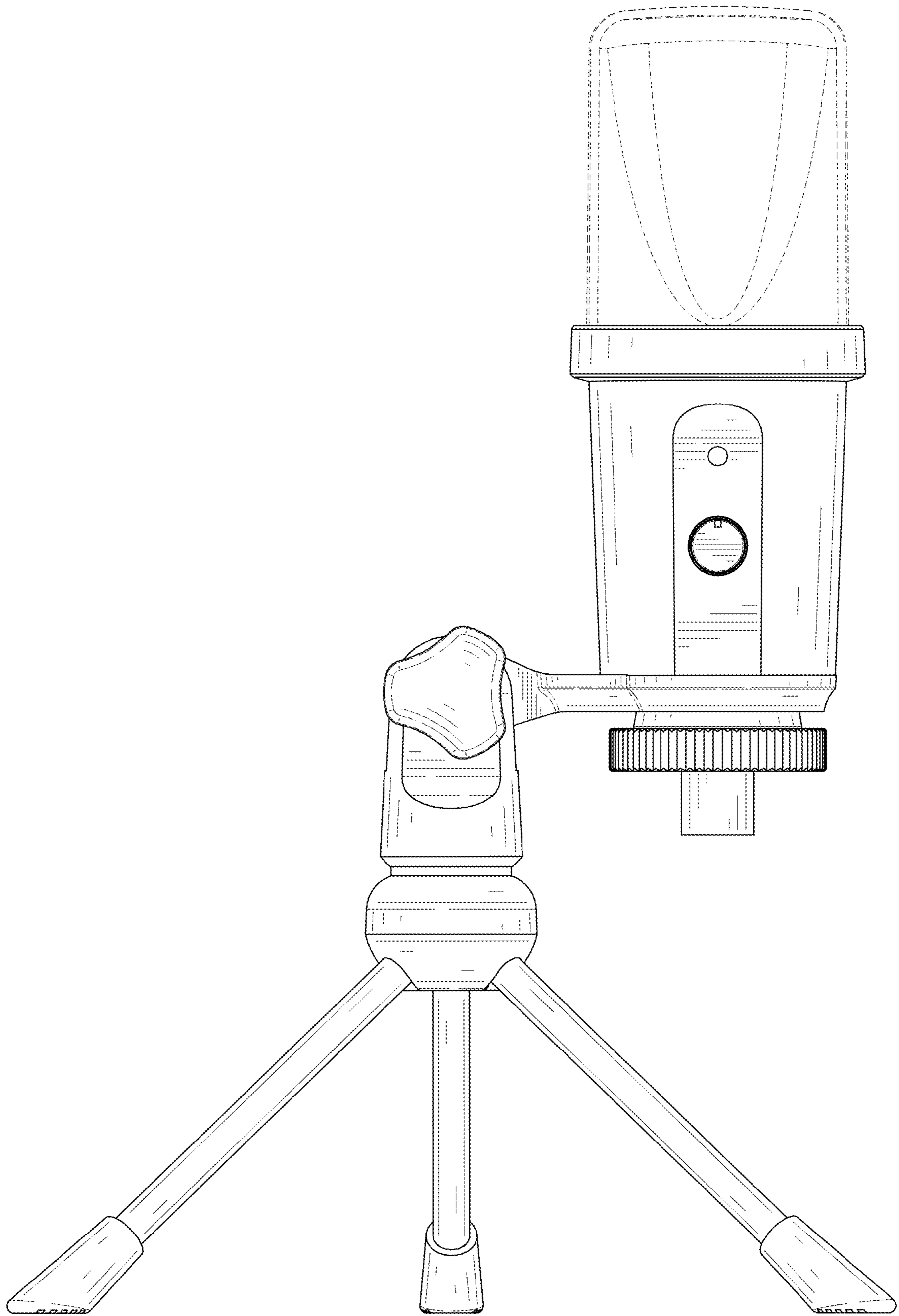


FIG. 3

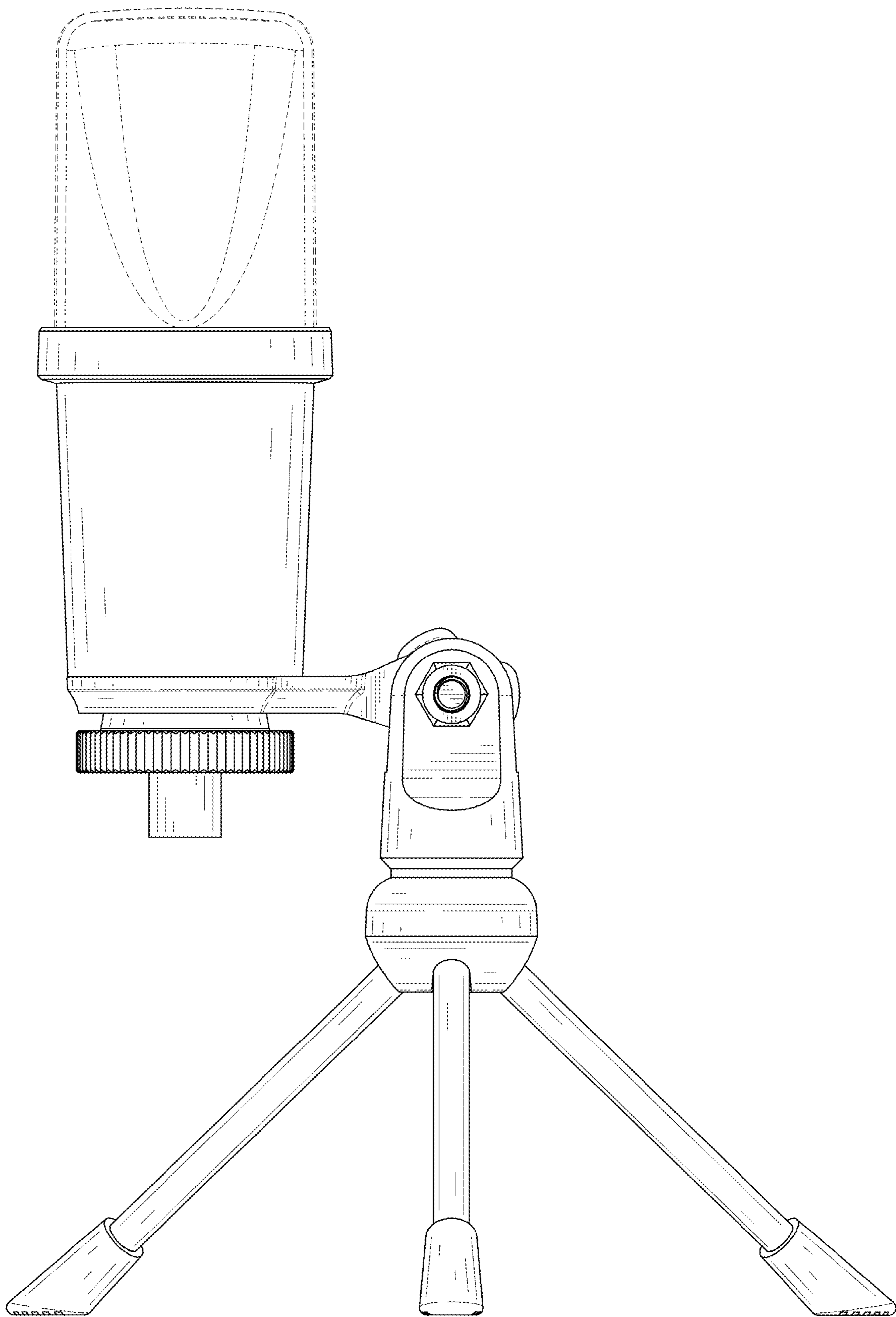


FIG. 4

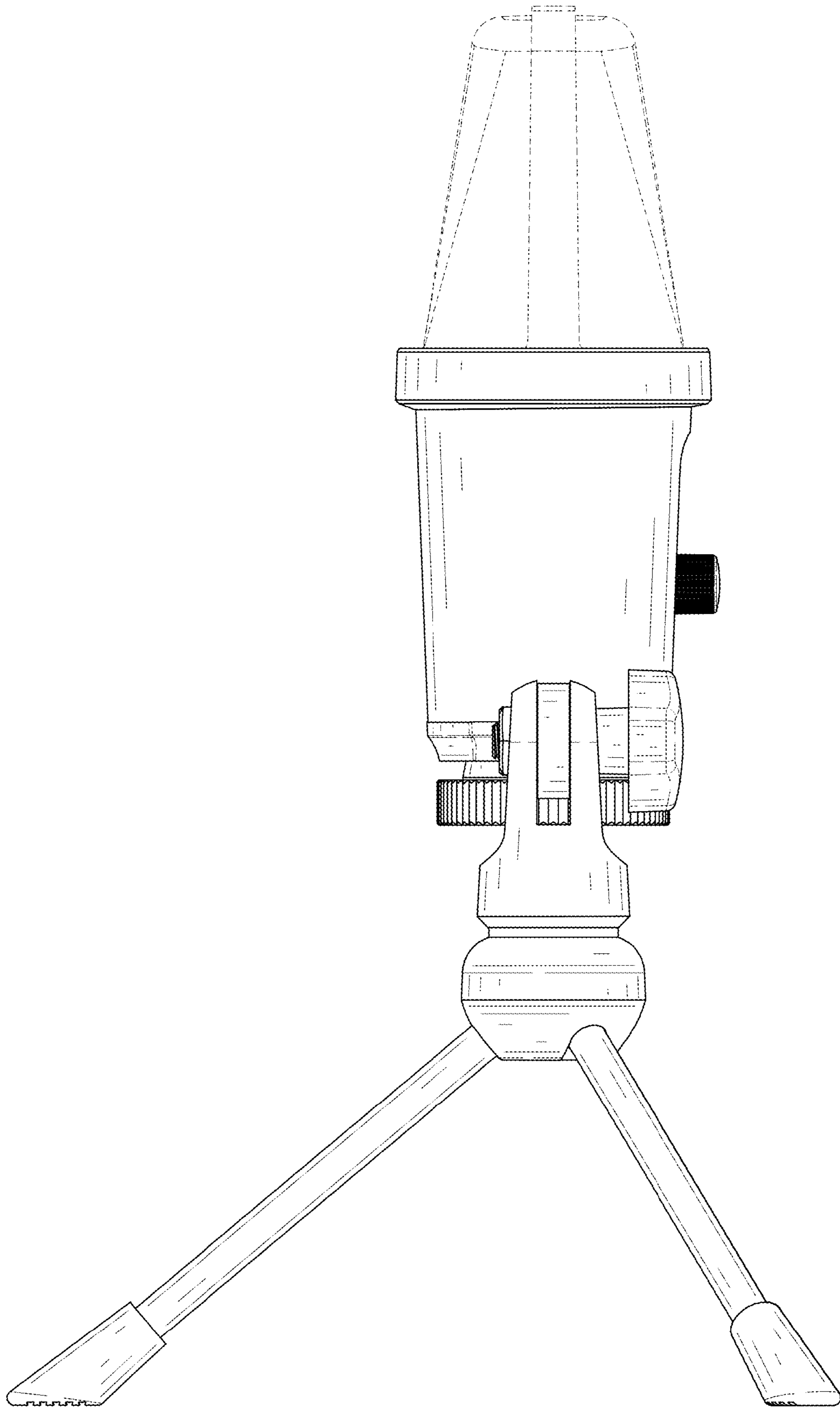


FIG. 5

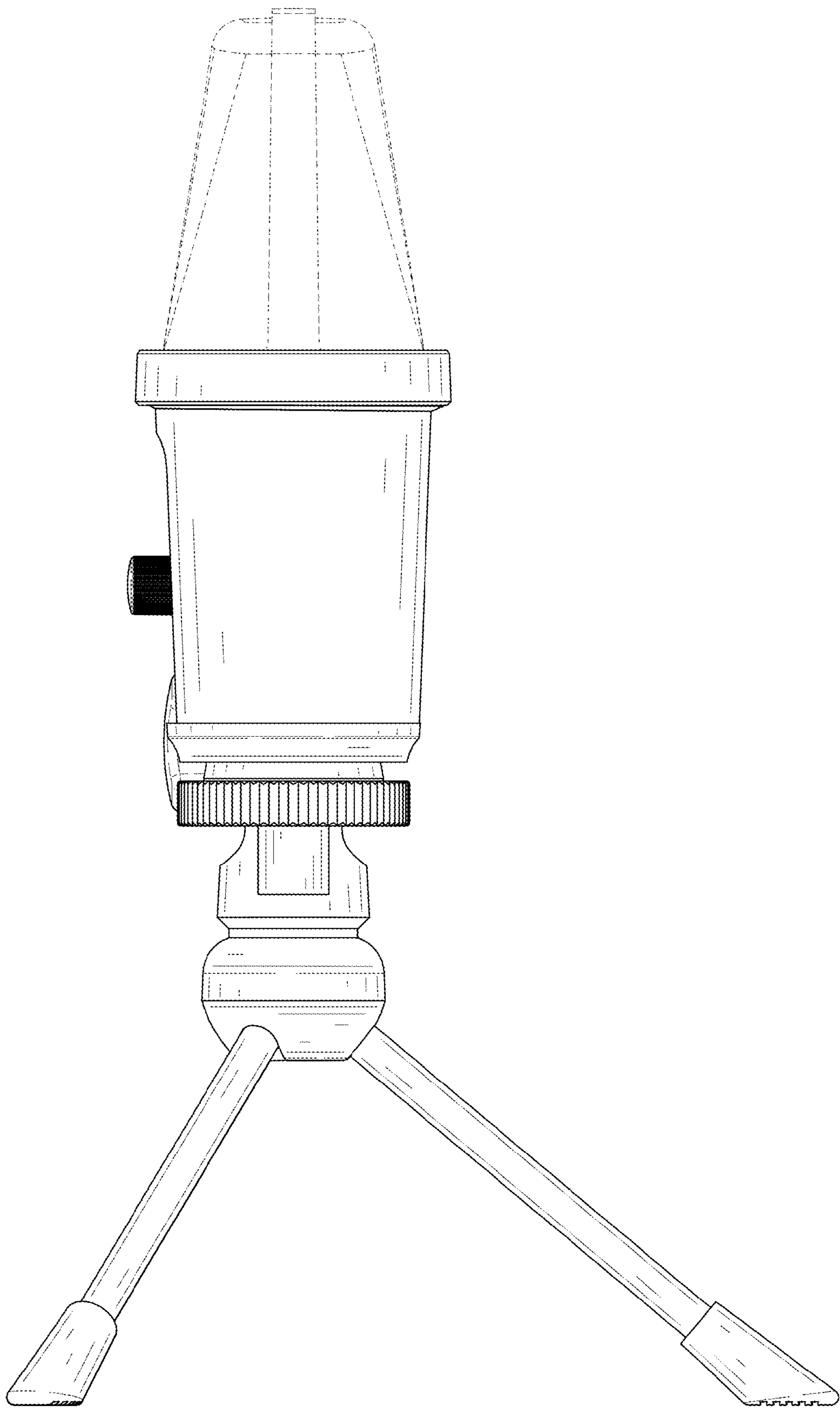


FIG. 6

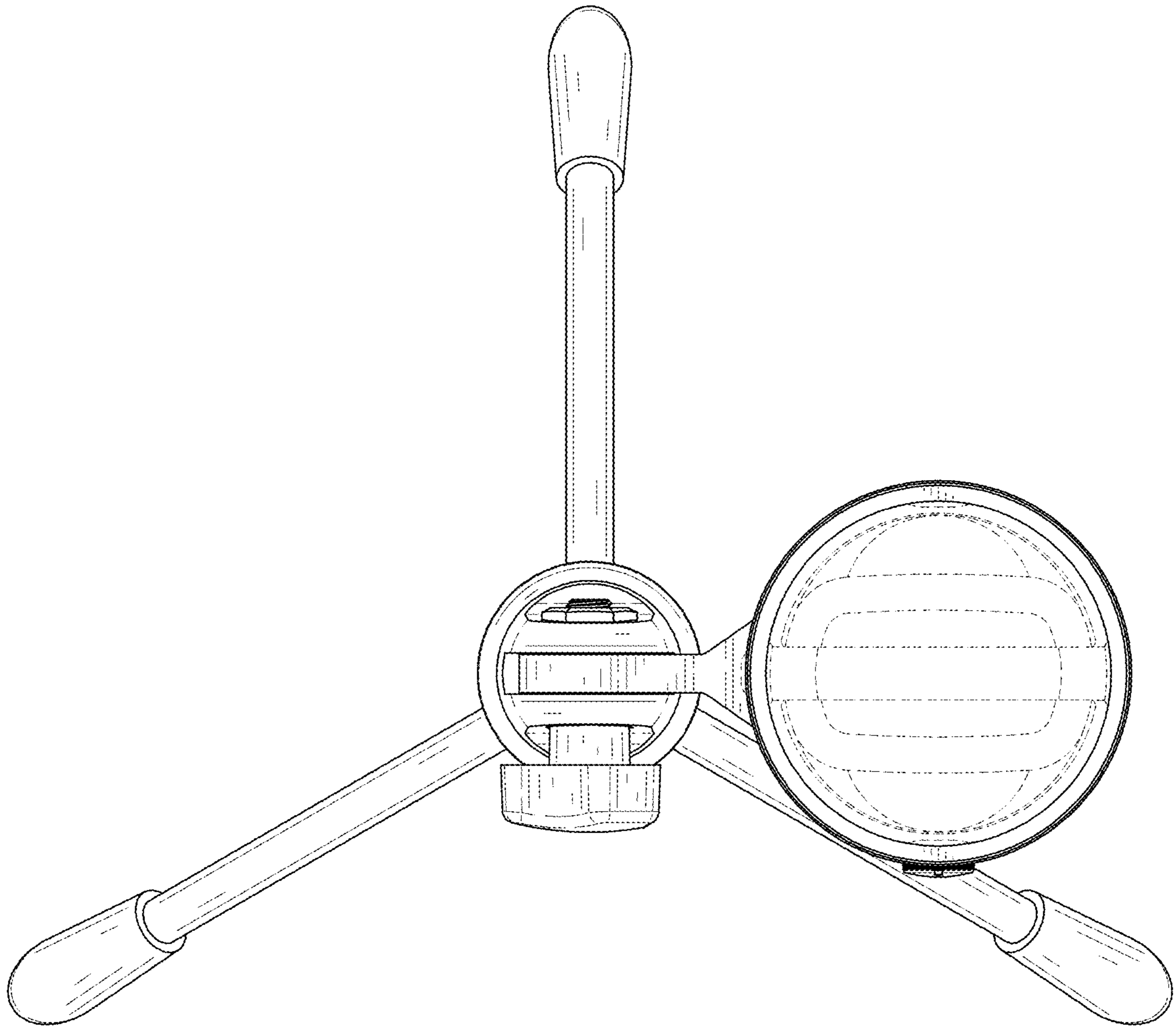


FIG. 7

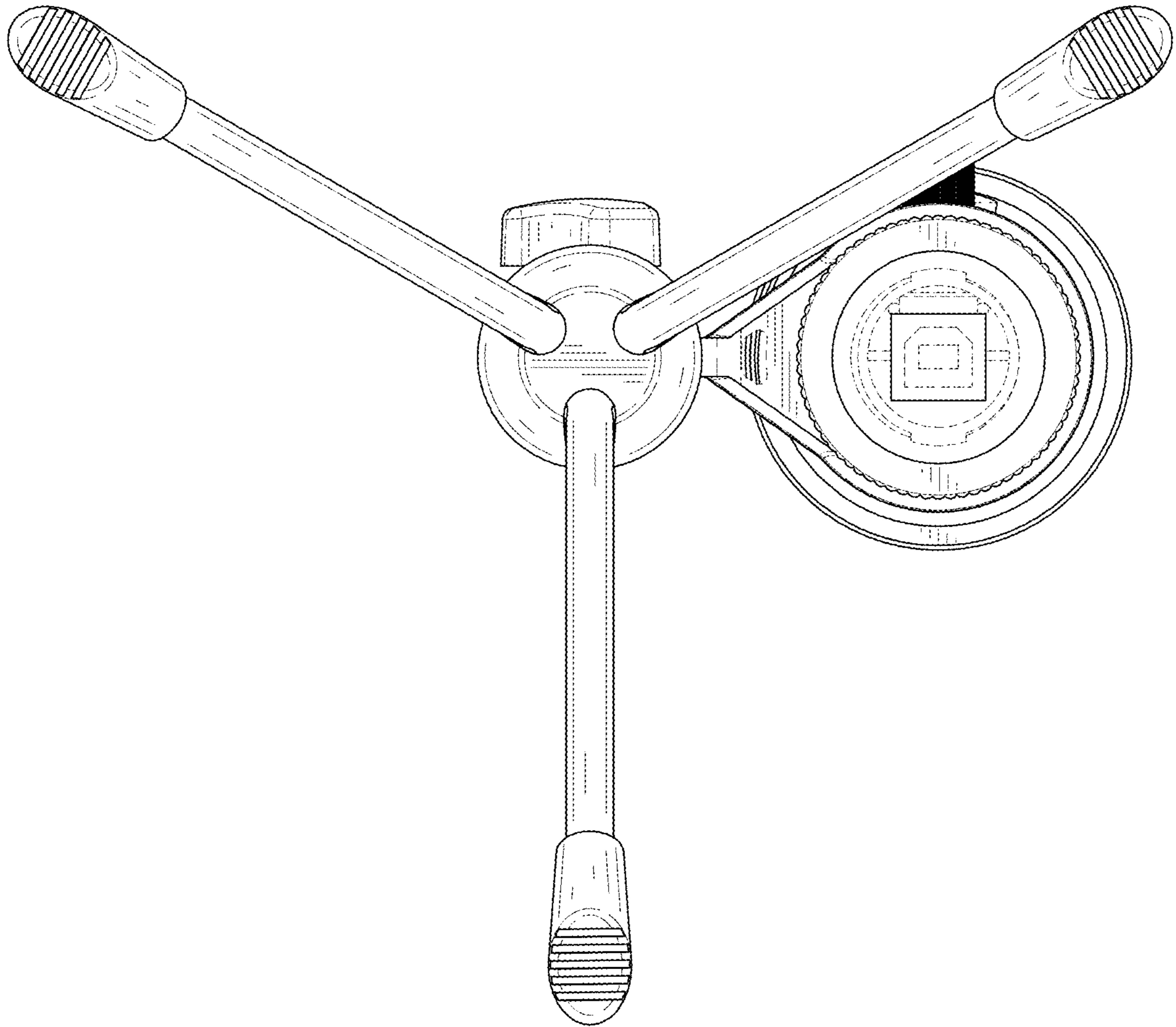


FIG. 8

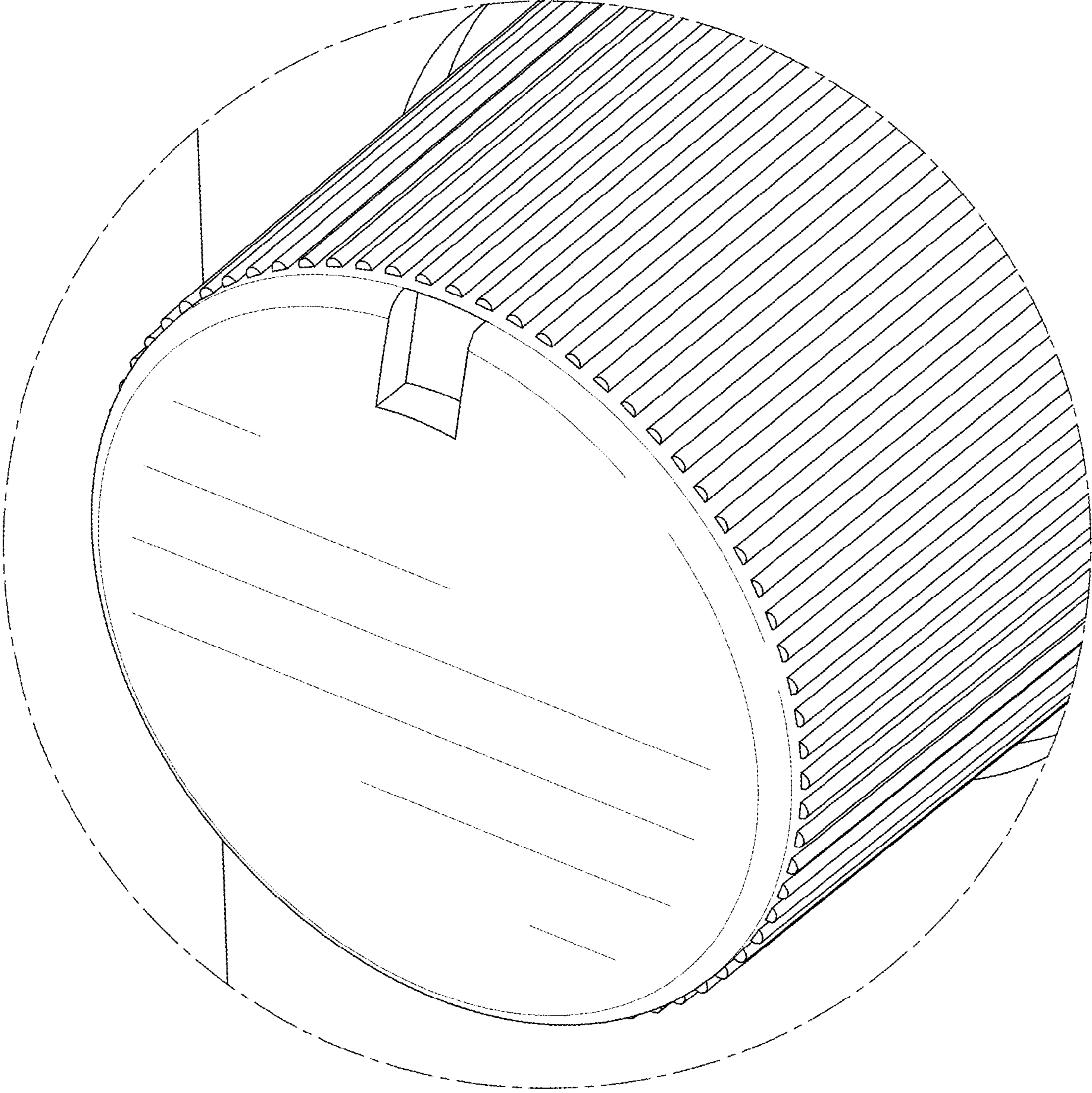


FIG. 9

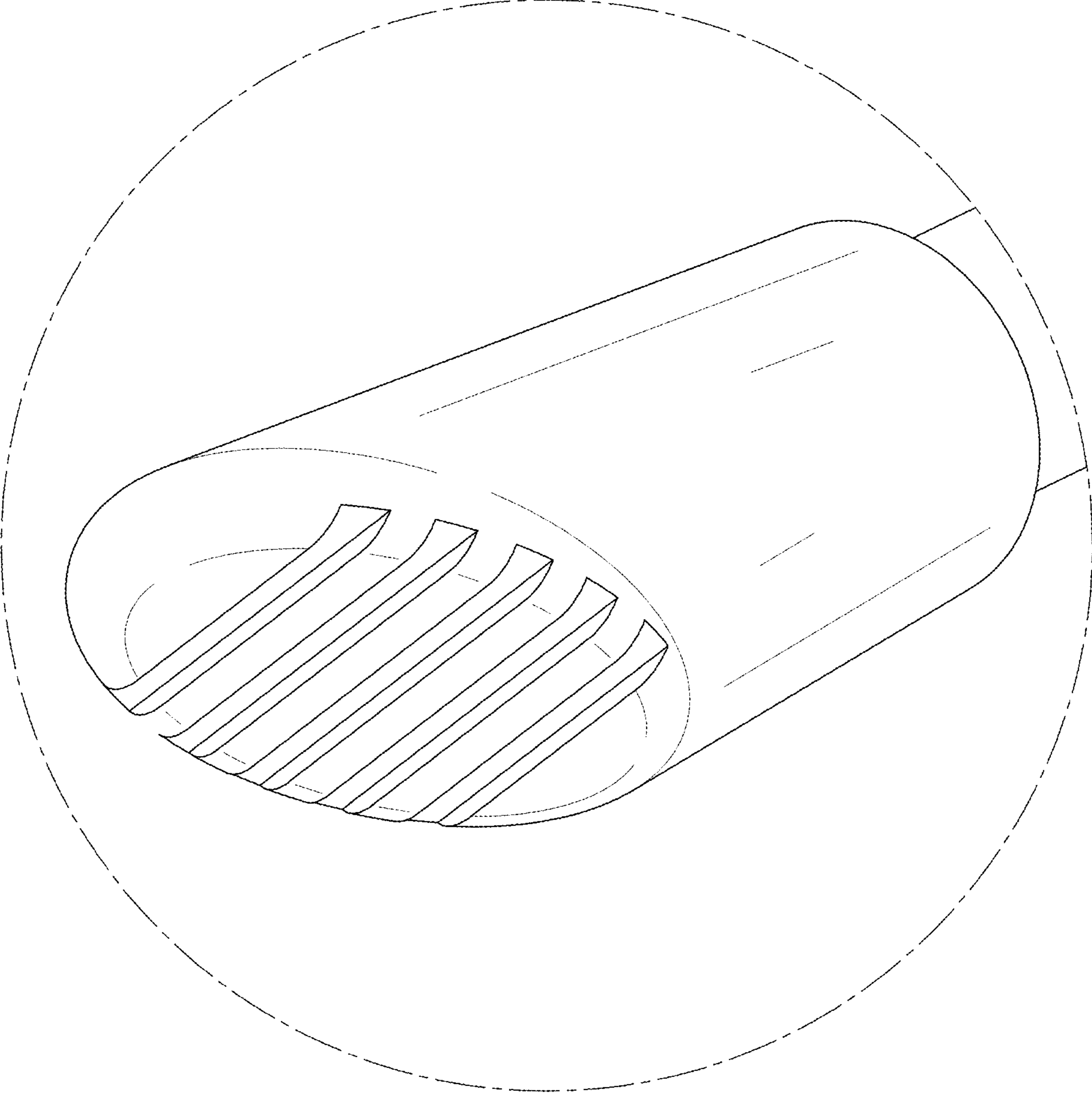


FIG. 10