



US00D967076S

(12) **United States Design Patent**  
**Iizuka et al.**

(10) **Patent No.:** **US D967,076 S**  
(45) **Date of Patent:** **\*\* Oct. 18, 2022**

(54) **MICROPHONE**

(71) Applicant: **SONY CORPORATION**, Tokyo (JP)

(72) Inventors: **Hiroimi Iizuka**, Kanagawa (JP); **Yuuji Hirasawa**, Kanagawa (JP); **Yohei Sakuraba**, Kanagawa (JP)

(73) Assignee: **SONY GROUP CORPORATION**, Tokyo (JP)

(\*\*) Term: **15 Years**

(21) Appl. No.: **29/704,742**

(22) Filed: **Sep. 6, 2019**

(30) **Foreign Application Priority Data**

Mar. 28, 2019 (JP) ..... D2019-006721  
Jul. 12, 2019 (JP) ..... D2019-015834  
Jul. 12, 2019 (JP) ..... D2019-015835  
Jul. 12, 2019 (JP) ..... D2019-015836

(51) **LOC (13) Cl.** ..... **14-01**

(52) **U.S. Cl.**  
USPC ..... **D14/225**

(58) **Field of Classification Search**  
USPC ..... D14/221, 224, 225, 226, 227, 228, 229,  
D14/150, 154, 155, 158, 160, 172  
CPC ..... H04R 19/04; H04R 19/00; H04R 1/406;  
H04R 1/08; H04R 1/04; H04R 1/326;  
H04R 29/004; H04R 2410/00; H04R  
2410/01; H04R 2410/03; H04R 2410/05;  
H04R 2410/07; H04R 2420/07; H04R  
17/02

See application file for complete search history.

(56) **References Cited**

**U.S. PATENT DOCUMENTS**

D246,781 S \* 12/1977 Krolopp ..... D14/225  
D250,708 S \* 1/1979 Sakaguchi ..... D14/225  
D258,282 S \* 2/1981 Koseki ..... D14/225

D299,340 S \* 1/1989 Tani ..... D14/150  
5,291,325 A \* 3/1994 Elliott ..... H04B 1/202  
398/106  
D351,555 S \* 10/1994 Blott ..... D9/432  
5,638,455 A \* 6/1997 Peiker ..... H04M 1/02  
381/355

(Continued)

**FOREIGN PATENT DOCUMENTS**

FR 2686756 A1 \* 7/1993 ..... H04M 1/62  
GB 2416300 A \* 1/2006 ..... F16M 11/046

(Continued)

**OTHER PUBLICATIONS**

ECM-B1M | Sony | Accessory, announced Jul. 16, 2019 [online],  
retrieved Aug. 28, 2020, retrieved from internet, [https://www.youtube.com/watch?v=Vu5-U07EK10&feature=youtu.be.\\*](https://www.youtube.com/watch?v=Vu5-U07EK10&feature=youtu.be.*)

(Continued)

*Primary Examiner* — Messina L Smith  
(74) *Attorney, Agent, or Firm* — Michael Best and  
Friedrich LLP

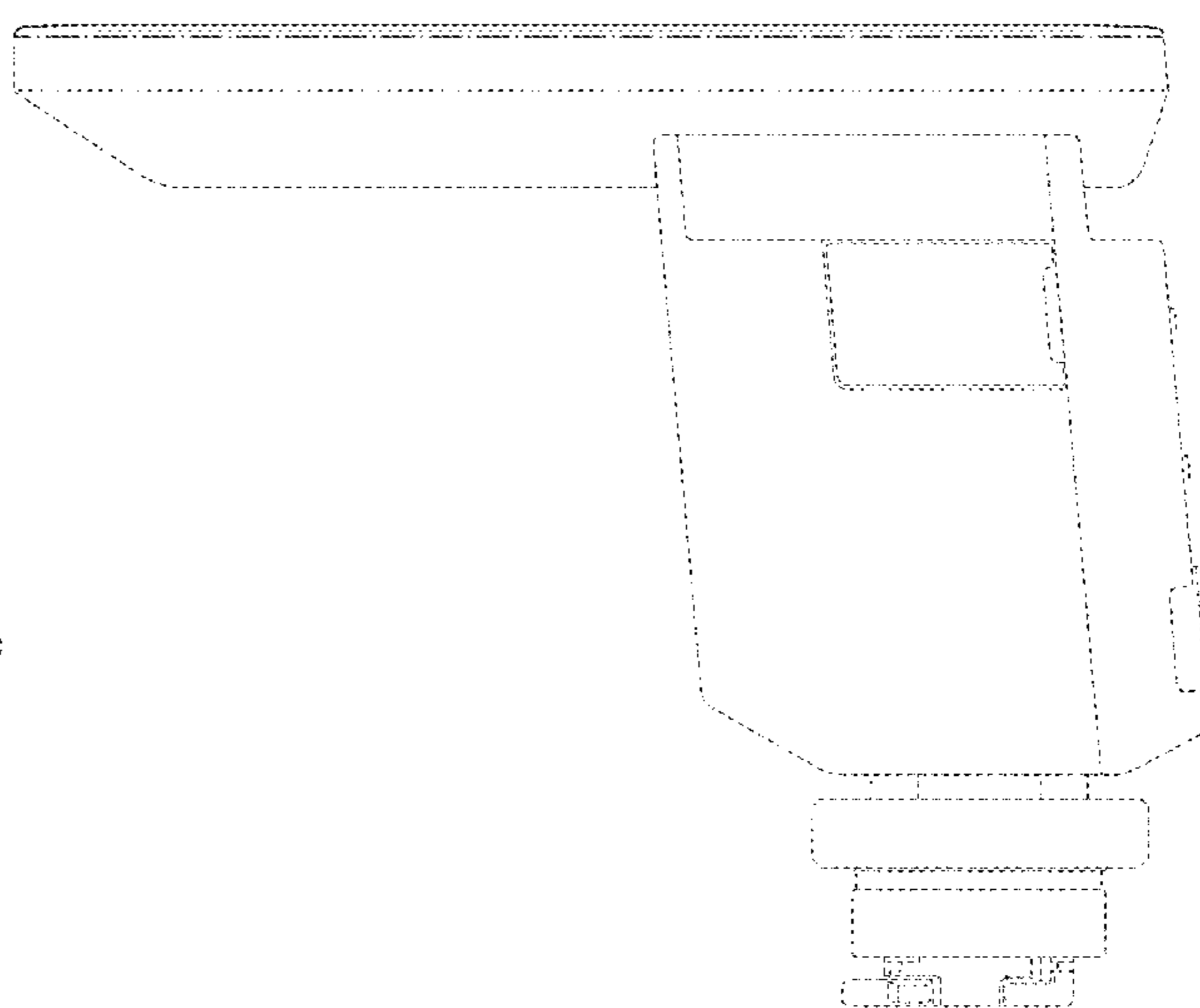
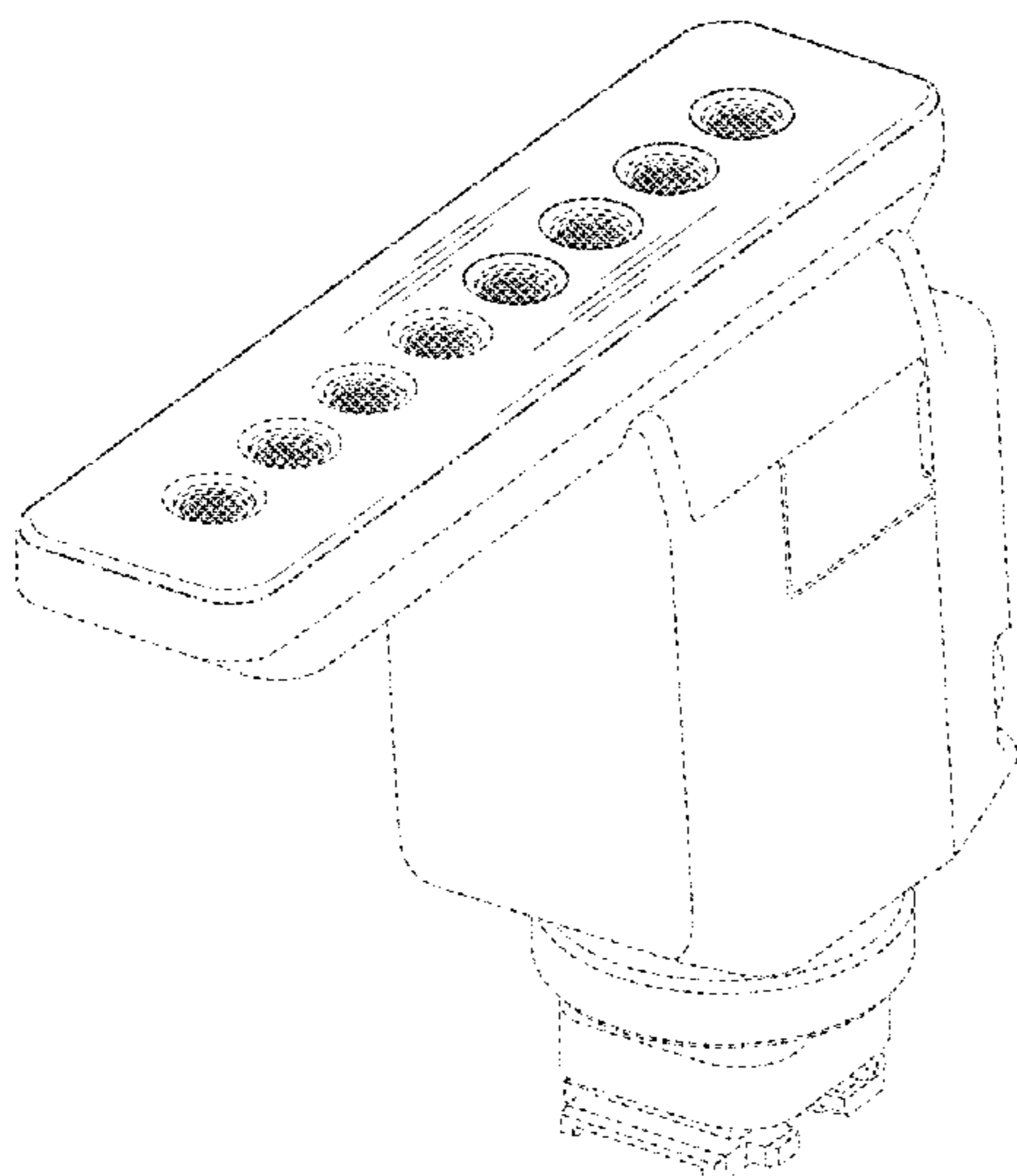
(57) **CLAIM**

The ornamental design for a microphone, as shown and described.

**DESCRIPTION**

FIG. 1 is a perspective view of a microphone showing our new design;  
FIG. 2 is a right side elevational view thereof;  
FIG. 3 is a left side elevational view thereof;  
FIG. 4 is a top plan view thereof;  
FIG. 5 is a front elevational view thereof; and,  
FIG. 6 is a rear elevational view thereof.  
The broken lines illustrating portions of the microphone form no part of the claimed design. The dot-dash broken lines defining the boundaries of the claimed design form no part of the claimed design.

**1 Claim, 5 Drawing Sheets**



(56)

References Cited

U.S. PATENT DOCUMENTS

D384,077 S \* 9/1997 Frasse ..... D14/229  
 6,137,883 A \* 10/2000 Kaschke ..... H04M 1/0202  
 379/433.07  
 D457,869 S \* 5/2002 Narita ..... D14/150  
 D507,261 S \* 7/2005 Griffin ..... D14/226  
 D512,691 S 12/2005 Hisatsune  
 D584,296 S \* 1/2009 Lesch ..... D14/229  
 7,565,178 B1 \* 7/2009 Sitachitt ..... H04M 1/035  
 379/430  
 D600,232 S \* 9/2009 Lee ..... D14/137  
 D619,123 S \* 7/2010 Lau ..... D14/224  
 D626,537 S \* 11/2010 Lee ..... D14/227  
 7,848,785 B2 \* 12/2010 Jung ..... H04M 1/035  
 455/575.1  
 D659,668 S \* 5/2012 Neumann ..... D14/155  
 D672,751 S \* 12/2012 Davies ..... D14/215  
 D685,756 S \* 7/2013 Liu ..... D14/155  
 D697,433 S \* 1/2014 Pong ..... D9/758  
 D704,076 S \* 5/2014 Poandl ..... D10/2  
 D712,377 S \* 9/2014 Delrue ..... D14/213  
 D794,598 S \* 8/2017 Clerc ..... D14/150  
 D823,281 S \* 7/2018 Garrett ..... D14/208  
 D827,619 S \* 9/2018 Johnson ..... D14/229  
 D843,975 S \* 3/2019 Ge ..... D14/221  
 D853,348 S \* 7/2019 Liu ..... D14/155  
 2002/0172383 A1 \* 11/2002 Tanabe ..... H04R 19/04  
 381/174  
 2004/0252856 A1 \* 12/2004 Masuda ..... H04R 1/26  
 381/340  
 2005/0212979 A1 \* 9/2005 Morita ..... A63F 13/22  
 348/734  
 2007/0144826 A1 \* 6/2007 An ..... H04R 1/403  
 181/199  
 2008/0247586 A1 \* 10/2008 Takano ..... H04R 1/38  
 381/361  
 2008/0302945 A1 \* 12/2008 Morrison ..... H04R 1/026  
 248/562  
 2009/0057117 A1 \* 3/2009 Jang ..... D06F 34/32  
 200/314  
 2009/0060247 A1 \* 3/2009 Suzuki ..... H04R 1/08  
 381/364  
 2009/0245545 A1 \* 10/2009 Schmidt ..... H04R 1/403  
 381/182  
 2010/0220877 A1 \* 9/2010 Ishibashi ..... H04R 1/403  
 381/170  
 2011/0058689 A1 \* 3/2011 Sugiura ..... G06F 3/165  
 381/104  
 2012/0021686 A1 \* 1/2012 Chiang ..... H04B 1/20  
 455/41.3  
 2012/0025334 A1 \* 2/2012 Chan ..... H04R 19/04  
 257/416  
 2012/0033831 A1 \* 2/2012 Leitner ..... H04R 1/222  
 381/98  
 2012/0163624 A1 \* 6/2012 Hyun ..... H04R 3/005  
 381/92

2013/0148837 A1 \* 6/2013 Lee ..... H04R 19/016  
 381/369  
 2014/0321687 A1 \* 10/2014 Friel ..... H04R 31/00  
 381/361  
 2017/0111738 A1 \* 4/2017 Murray ..... H04B 5/0037  
 2019/0230762 A1 \* 7/2019 McDonald ..... H01H 13/023

FOREIGN PATENT DOCUMENTS

JP 1348312 S 1/2009  
 JP 1348313 S 1/2009  
 JP 2017011576 A \* 1/2017

OTHER PUBLICATIONS

Sony ECM-B1M: first-listens with DIGITAL microphone!, announced Aug. 7, 2019 [online], retrieved Aug. 28, 2020, retrieved from internet, [https://www.youtube.com/watch?v=q2\\_11O4yFD0](https://www.youtube.com/watch?v=q2_11O4yFD0).\*

Shotgun Mic, announced Jul. 4, 2020 [online], retrieved Aug. 28, 2020, retrieved from internet, <https://monkbent.net/uho-audio/>.\*

Digital Shotgun Microphone, announced Jul. 18, 2019 [online], retrieved Aug. 28, 2020, retrieved from internet, [https://www.amazon.com/Sony-ECMB1M-Digital-Shotgun-Microphone/dp/B07VHRP9RL/ref=asc\\_df\\_B07VHRP9RL/?tag=hyprod-20&linkCode=df0&hvadid=416769912938&hvpos=&hvnetw=g&hvrnd=14851864061231211373&hvpone=&hvpw=](https://www.amazon.com/Sony-ECMB1M-Digital-Shotgun-Microphone/dp/B07VHRP9RL/ref=asc_df_B07VHRP9RL/?tag=hyprod-20&linkCode=df0&hvadid=416769912938&hvpos=&hvnetw=g&hvrnd=14851864061231211373&hvpone=&hvpw=).\*

Shotgun Microphone, announced © 2020 [online], retrieved Aug. 28, 2020, retrieved from internet, <https://www.sony.com/electronics/interchangeable-lens-cameras-microphones/ecm-b1m>.\*

Ultimate Guide to Sony A7R IV Camera Accessories, announced Jul. 28, 2019 [online], retrieved Aug. 28, 2020, retrieved from internet, <https://briansmith.com/ultimate-guide-to-sony-a7-mark-iv-camera-accessories/>.\*

Comica CVM-V30 Lite Video Microphone, announced Oct. 23, 2019 [online], retrieved Aug. 10, 2021, retrieved from internet, [https://www.smartnetk.com/index.php?main\\_page=product\\_info&products\\_id=316512](https://www.smartnetk.com/index.php?main_page=product_info&products_id=316512).\*

Universal Camera Cage Top Handle Grip, announced © 2021 [online], retrieved Aug. 10, 2021, retrieved from internet, <https://www.walmart.com/ip/Universal-Camera-Cage-Top-Handle-Grip-with-1-4-Inch-3-8-Inch-Threaded-Screw-Holes-Cold-Shoe-Mounts-for-Photography-Lamp-Microphone/990308959>.\*

Acoustic Guitar Pickup Microphone, announced © 2014-2020 [online], retrieved Aug. 10, 2021, retrieved from internet, [https://www.teknistore.com/en/guitar-parts/38151-kq3-acoustic-guitar-pickup-microphone-wire-amplifier-12-holes-black.html?mobile\\_theme\\_ok](https://www.teknistore.com/en/guitar-parts/38151-kq3-acoustic-guitar-pickup-microphone-wire-amplifier-12-holes-black.html?mobile_theme_ok).\*

Holes Acoustic Guitar Sound Pickup Microphone, announced © 2012-2021 [online], retrieved Aug. 10, 2021, retrieved from internet, <https://www.fasttech.com/product/8970500-p-012-12-holes-acoustic-guitar-sound-pickup>.\*

Bass Drum O's Hole Cutter, announced 2008 [online], retrieved Aug. 10, 2021, retrieved from internet, <https://www.guitarcenter.com/Bass-Drum-Os/Hole-Cutter.gc>.\*

\* cited by examiner

FIG. 1

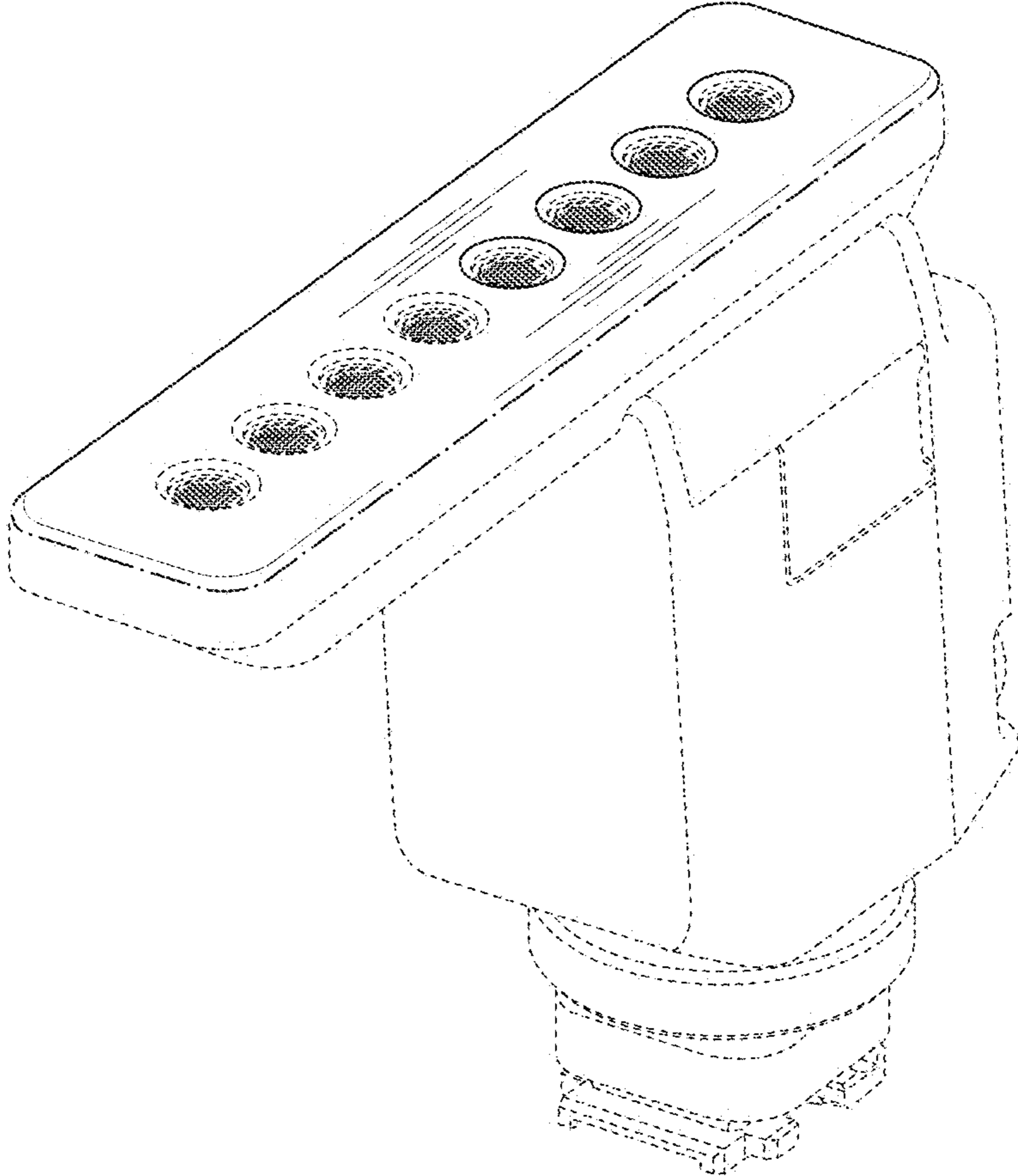


FIG.2

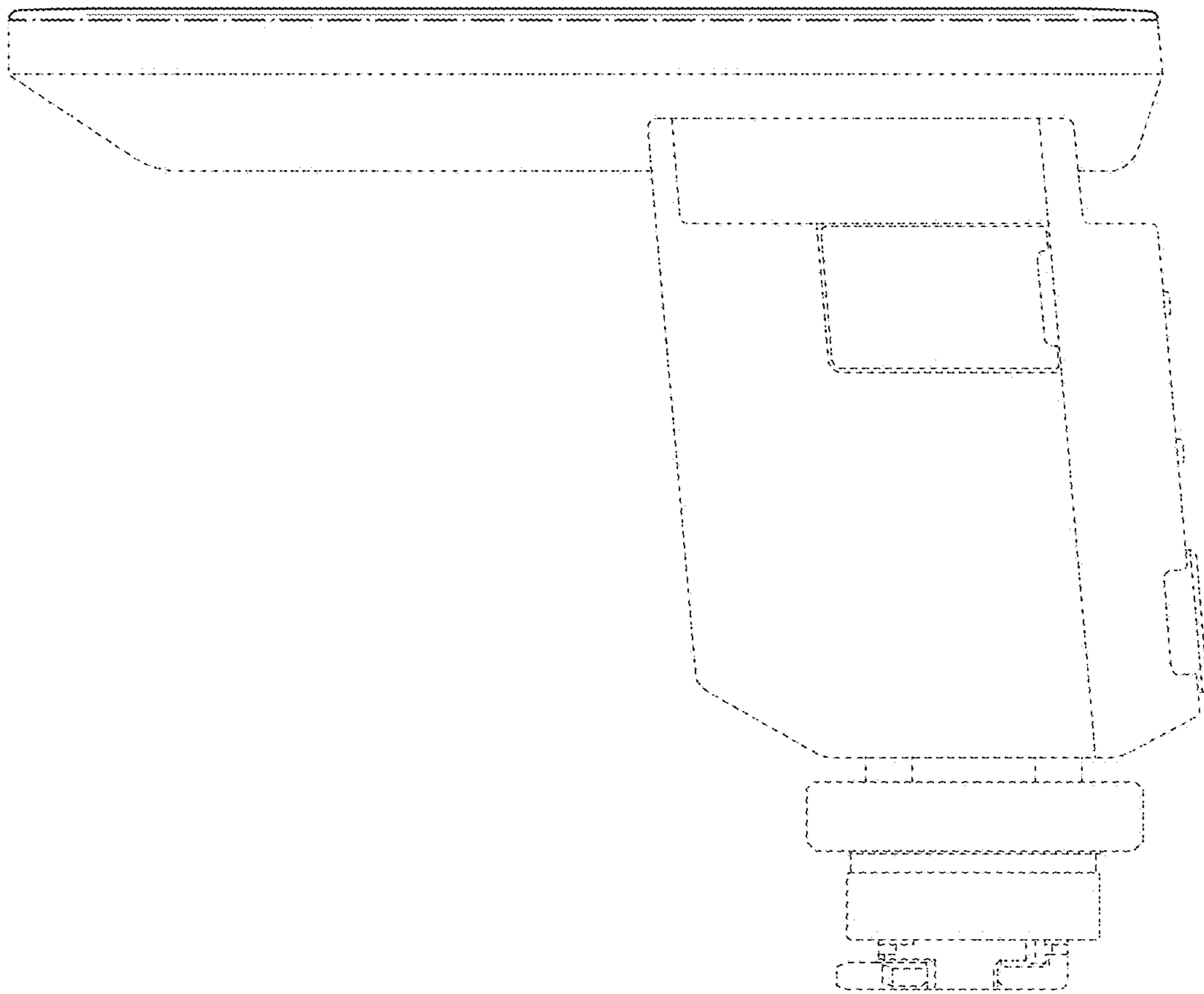


FIG.3

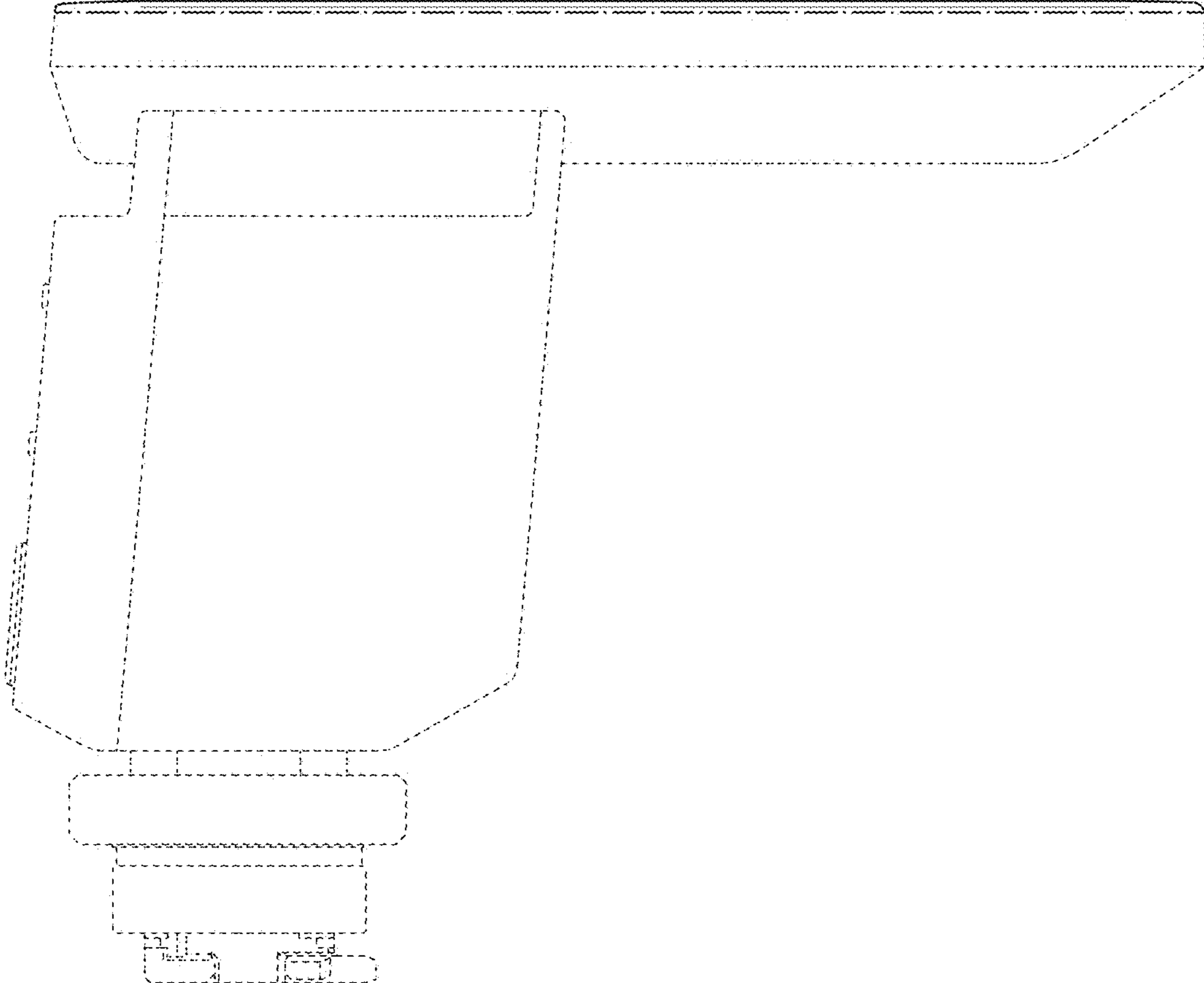


FIG.4

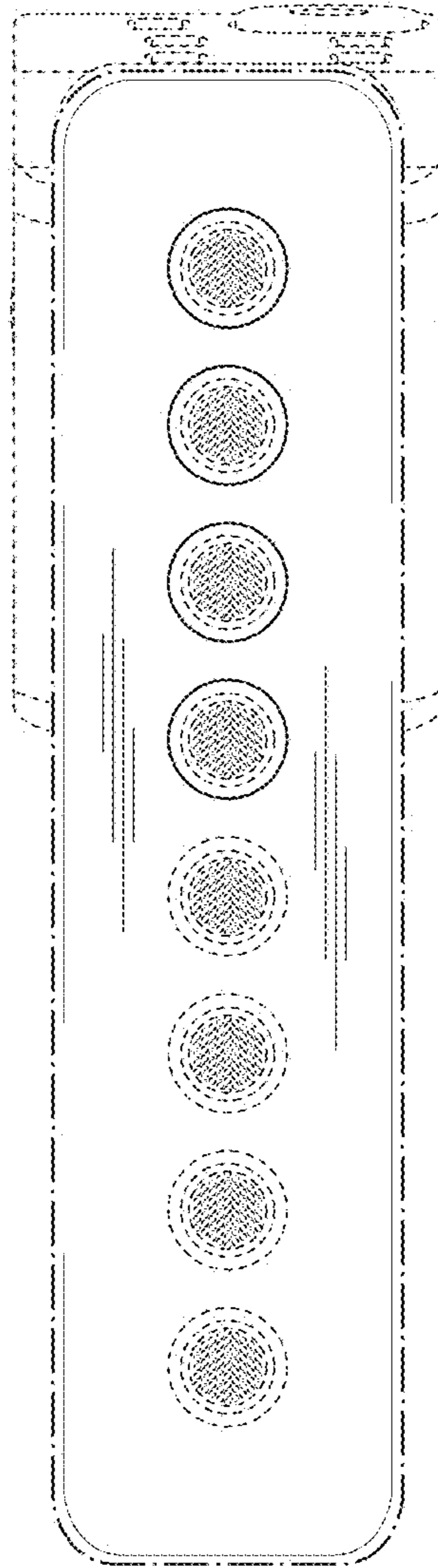


FIG.5

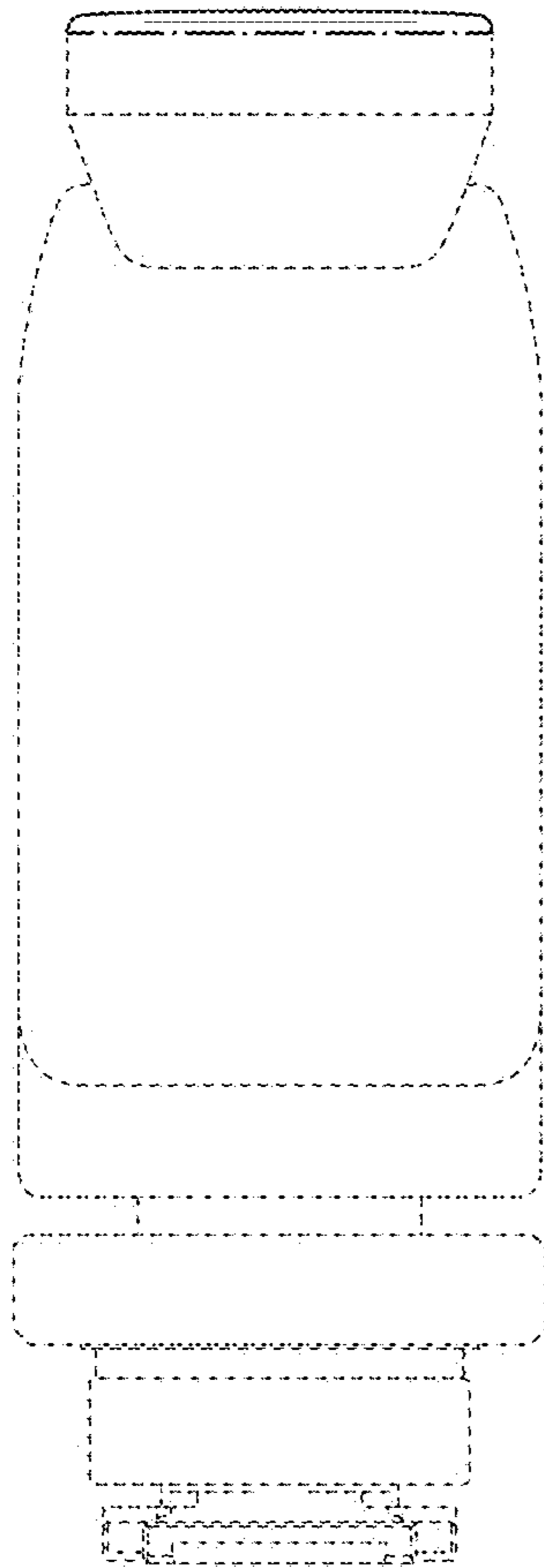


FIG.6

