

US00D967074S

(12) **United States Design Patent**
Breines

(10) **Patent No.: US D967,074 S**

(45) **Date of Patent: ** *Oct. 18, 2022**

(54) **HEADPHONE MOUNT**

(71) Applicant: **Robert Breines**, Westlake Village, CA
(US)

(72) Inventor: **Robert Breines**, Westlake Village, CA
(US)

(73) Assignee: **AP GLOBAL, INC.**, Westlake Village,
CA (US)

(*) Notice: This patent is subject to a terminal dis-
claimer.

(**) Term: **15 Years**

(21) Appl. No.: **29/665,887**

(22) Filed: **Oct. 8, 2018**

(51) **LOC (13) Cl.** **14-01**

(52) **U.S. Cl.**
USPC **D14/224; D6/682**

(58) **Field of Classification Search**

USPC ... D14/204, 209, 209.1, 210, 211, 217, 221,
D14/222, 224, 224.1, 155, 137, 229, 251,
D14/168, 149, 253, 466, 447, 252, 254;
D6/682, 675.1, 672, 673, 380, 406.3,
D6/406.6, 406.4, 406.5, 641, 648, 653,
D6/654, 655, 654.18, 655.11, 708.16,
D6/709.2, 710; D8/373, 380, 352, 353,
D8/354, 349, 371

CPC G10G 5/00; H04R 1/1091; H04R 1/1075;
F16M 11/22; A47F 2007/0085; A47F
7/146; A47F 7/00; A47F 7/0028; A47F
7/0035; A47F 7/0042; A47F 5/04; A47F
5/05; B65D 85/42; A47G 25/00; A47G
25/10; A47J 47/16

See application file for complete search history.

(56) **References Cited**

U.S. PATENT DOCUMENTS

D429,922 S * 8/2000 Walker D21/658
D737,606 S * 9/2015 King D6/682

D739,387 S * 9/2015 Fujioka D14/224
D773,201 S * 12/2016 Cardell D6/406.1
D785,380 S * 5/2017 King D6/681
D821,787 S * 7/2018 Wang D6/682
D827,617 S * 9/2018 Dillon D14/224

(Continued)

OTHER PUBLICATIONS

Headset Headphone Hanger Under Desk Swivel Hook, posted Jun.
19, 2018 [online], retrieved Aug. 1, 2019, retrieved from internet,
URL: <<https://www.amazon.com/Headphone-Headset-Adjustable-Rotating-Organizer/dp/B07DVSF875>>.*

(Continued)

Primary Examiner — Messina L Smith

(74) *Attorney, Agent, or Firm* — Vincent G. LoTempio

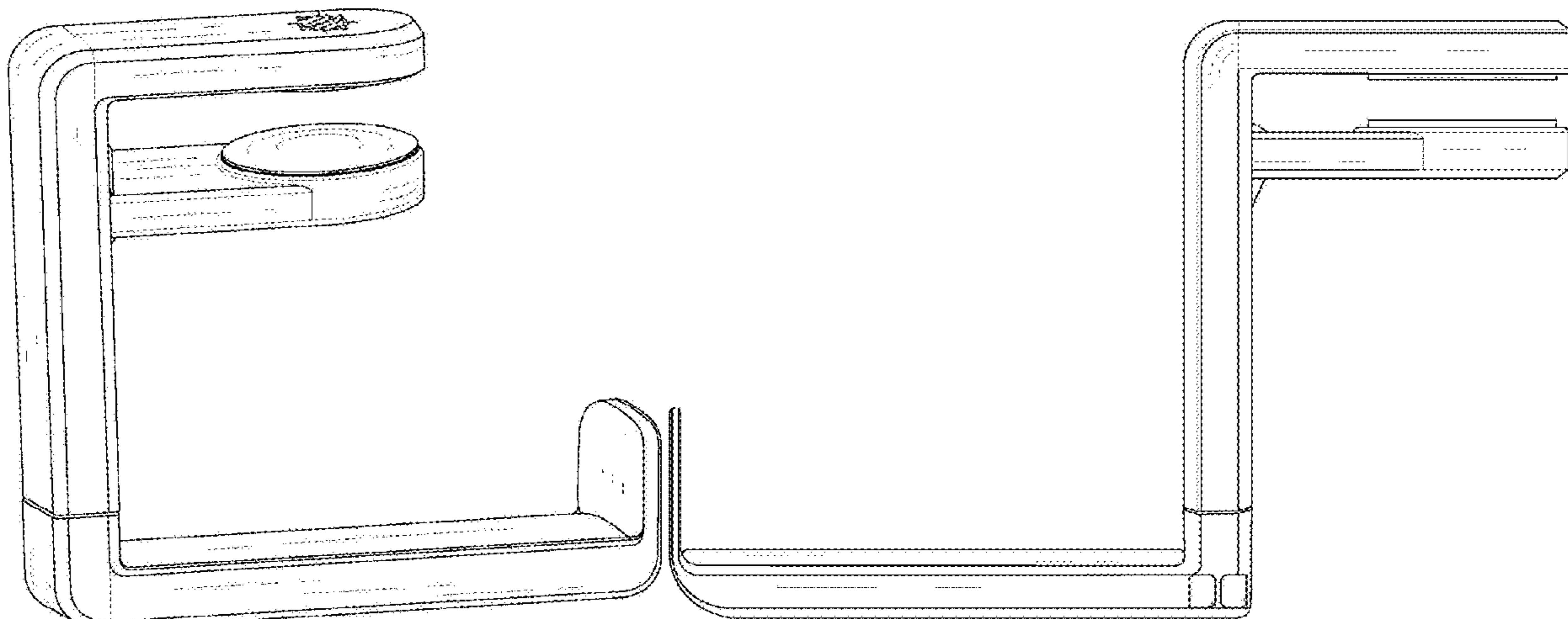
(57) **CLAIM**

I claim the ornamental design for a headphone mount, as
shown and described.

DESCRIPTION

FIG. 1 is a front left perspective view of a headphone mount,
showing the new design;
FIG. 2 is a front view thereof;
FIG. 3 is a rear view thereof;
FIG. 4 is a top view thereof;
FIG. 5 is a bottom view thereof;
FIG. 6 is a left-side view thereof, shown in an alternate
configuration;
FIG. 7 is a right-side view thereof, shown in another
alternate configuration;
FIG. 8 is a 90 degree rotatable left-side view thereof, shown
in an alternate configuration; and,
FIG. 9 is a 180 degree rotatable left-side view thereof,
shown in an alternate configuration.
The broken lines representing a logo in the FIGS. 1 and 4,
and a screw in the FIGS. 2 and 5 form no part of the claimed
design.

1 Claim, 7 Drawing Sheets



(56)

References Cited

U.S. PATENT DOCUMENTS

D834,860 S * 12/2018 McKenna D6/694
D836,368 S * 12/2018 Sorel D6/694
D861,002 S * 9/2019 Bergeron-Mirsky D6/675.3
D870,093 S * 12/2019 McSweyn D14/253
D900,067 S * 10/2020 Entelis D14/224
D908,688 S * 1/2021 Zhang D14/253
D915,389 S * 4/2021 Lin D14/253
D939,480 S * 12/2021 van Til D14/224
D951,919 S * 5/2022 Turksu D14/224
D952,612 S * 5/2022 Malone D14/224
2008/0230987 A1 * 9/2008 Jackson A63F 13/98
273/148 B
2009/0307843 A1 * 12/2009 Hookway A47B 23/046
5/425

OTHER PUBLICATIONS

Desk Headphone Hook Hanger, posted Jun. 14, 2018 [online],
retrieved Aug. 1, 2019, retrieved from internet, URL:<<https://www.amazon.com>>.*

* cited by examiner

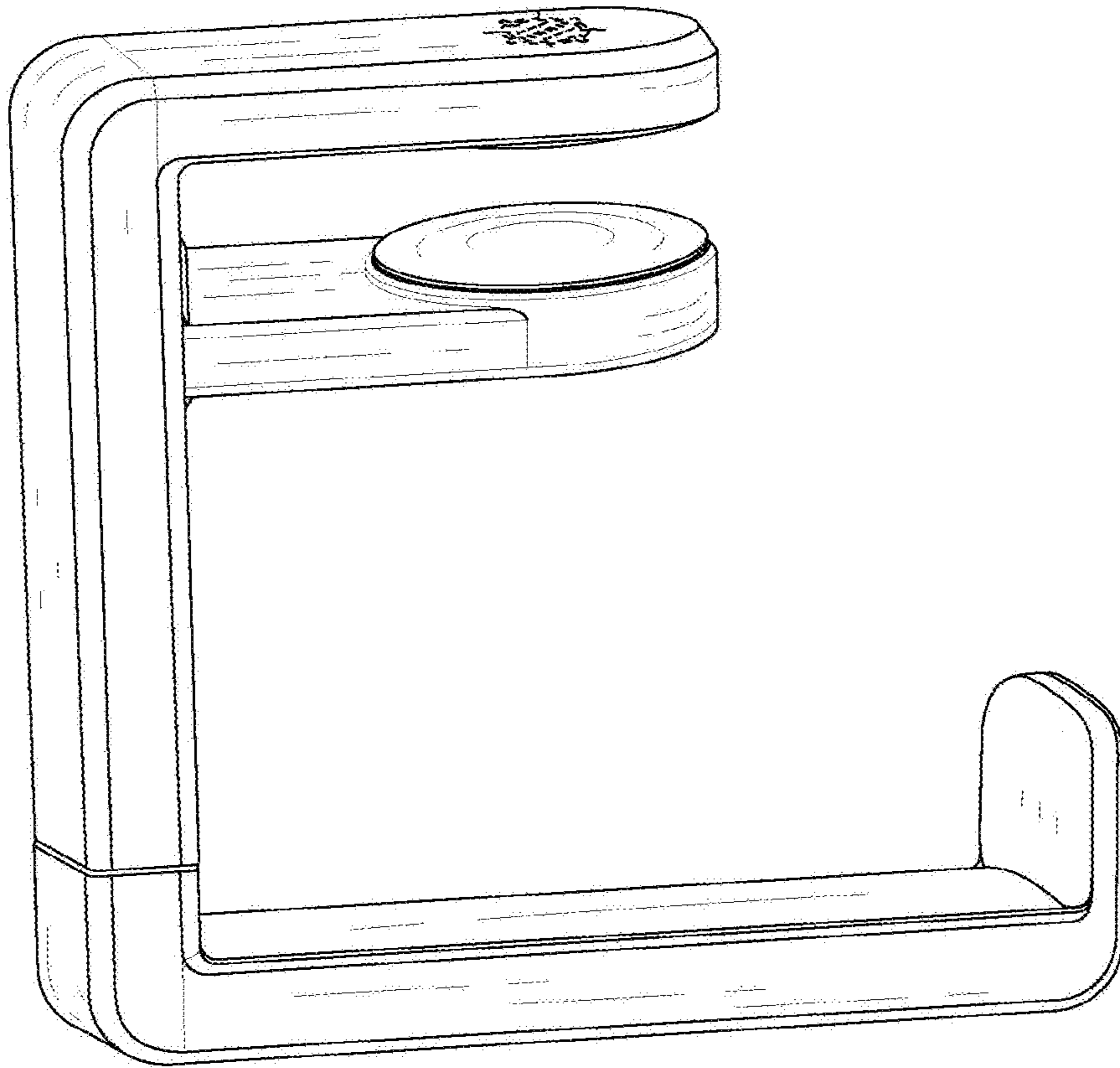


Fig. 1

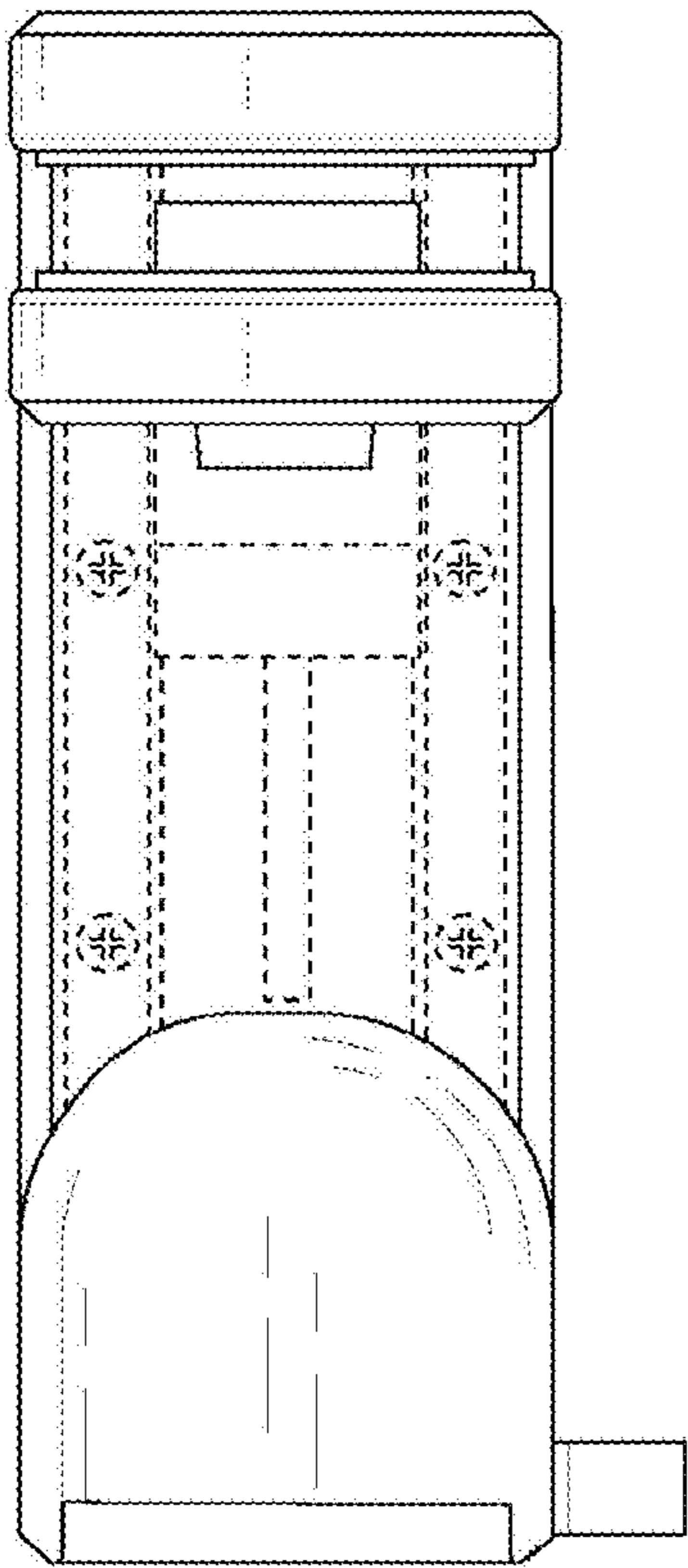


Fig. 2

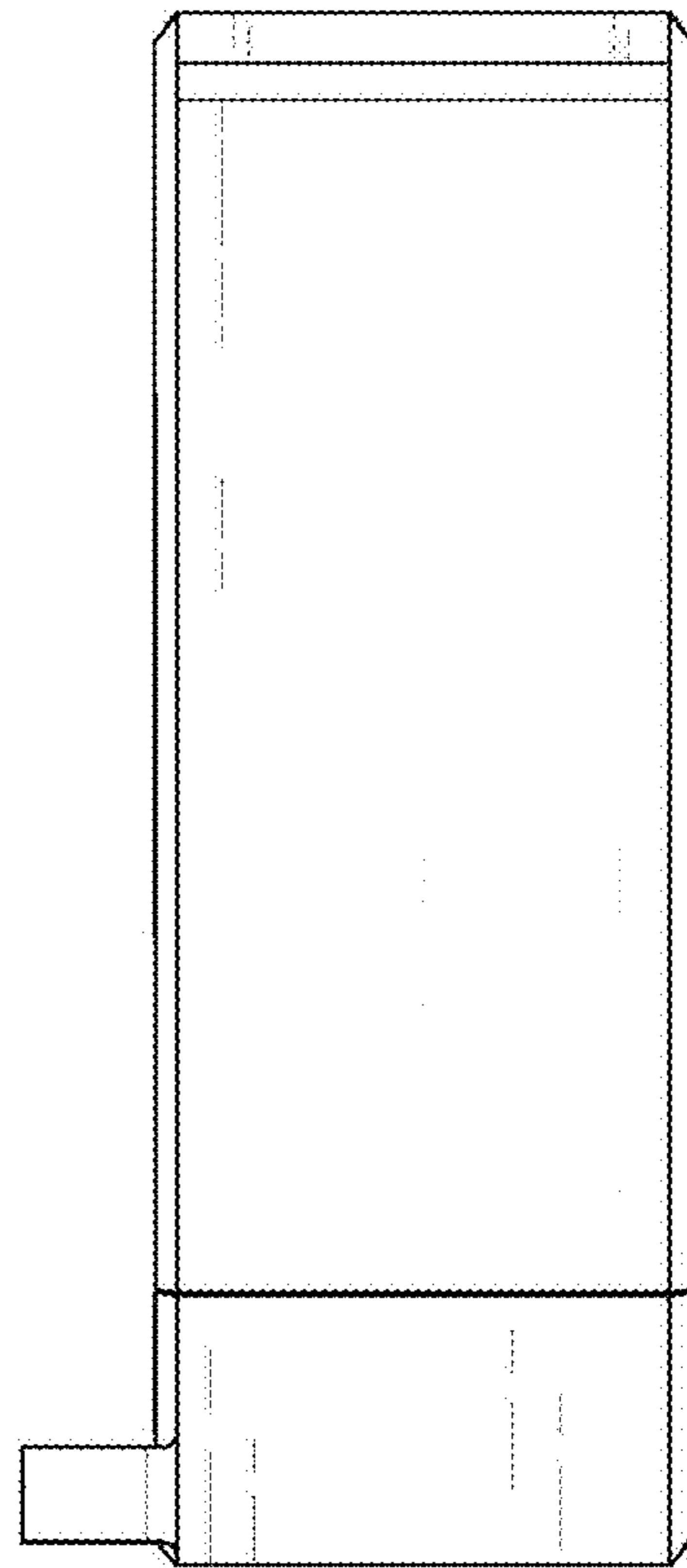


Fig. 3

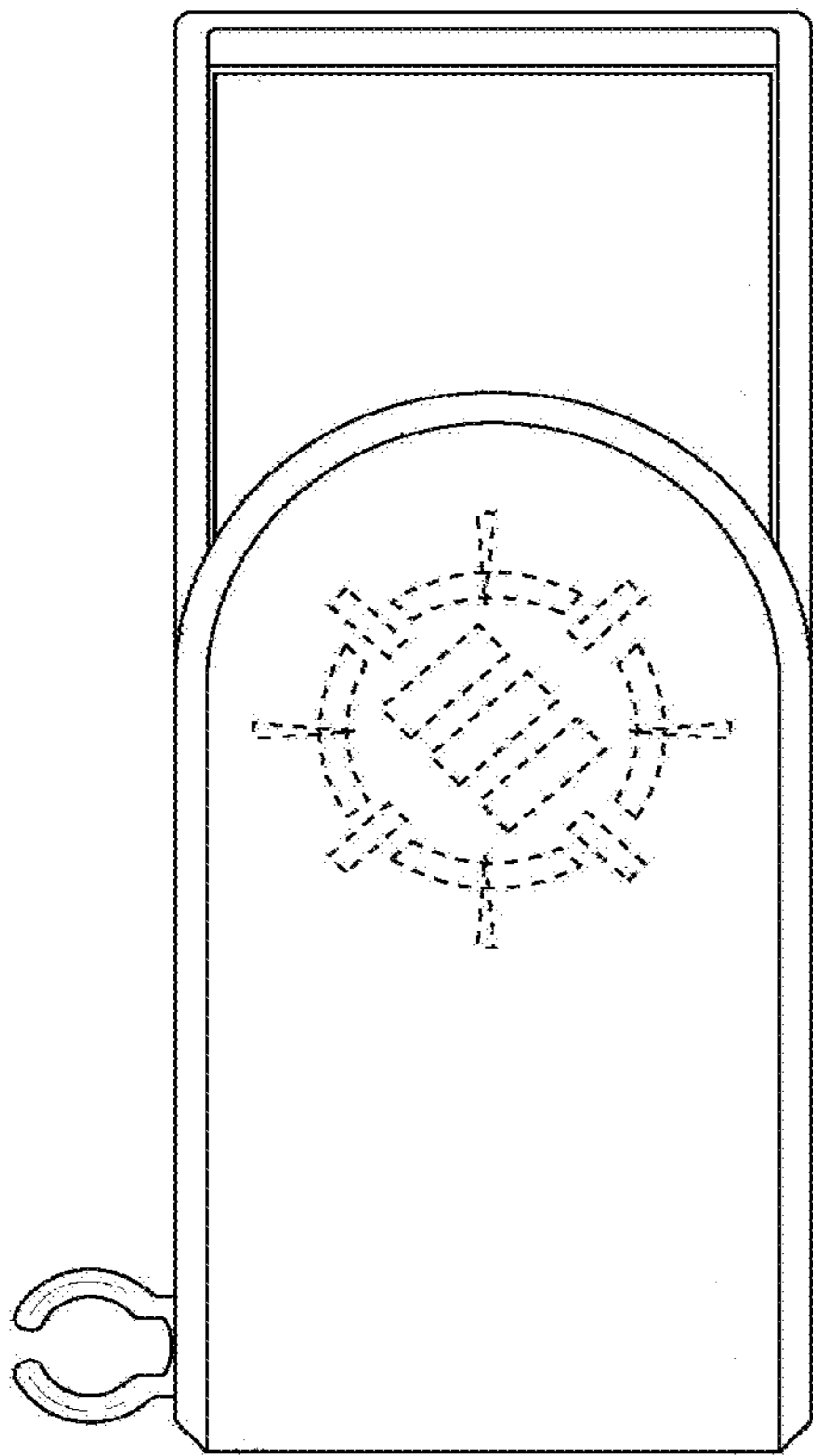


FIG. 4

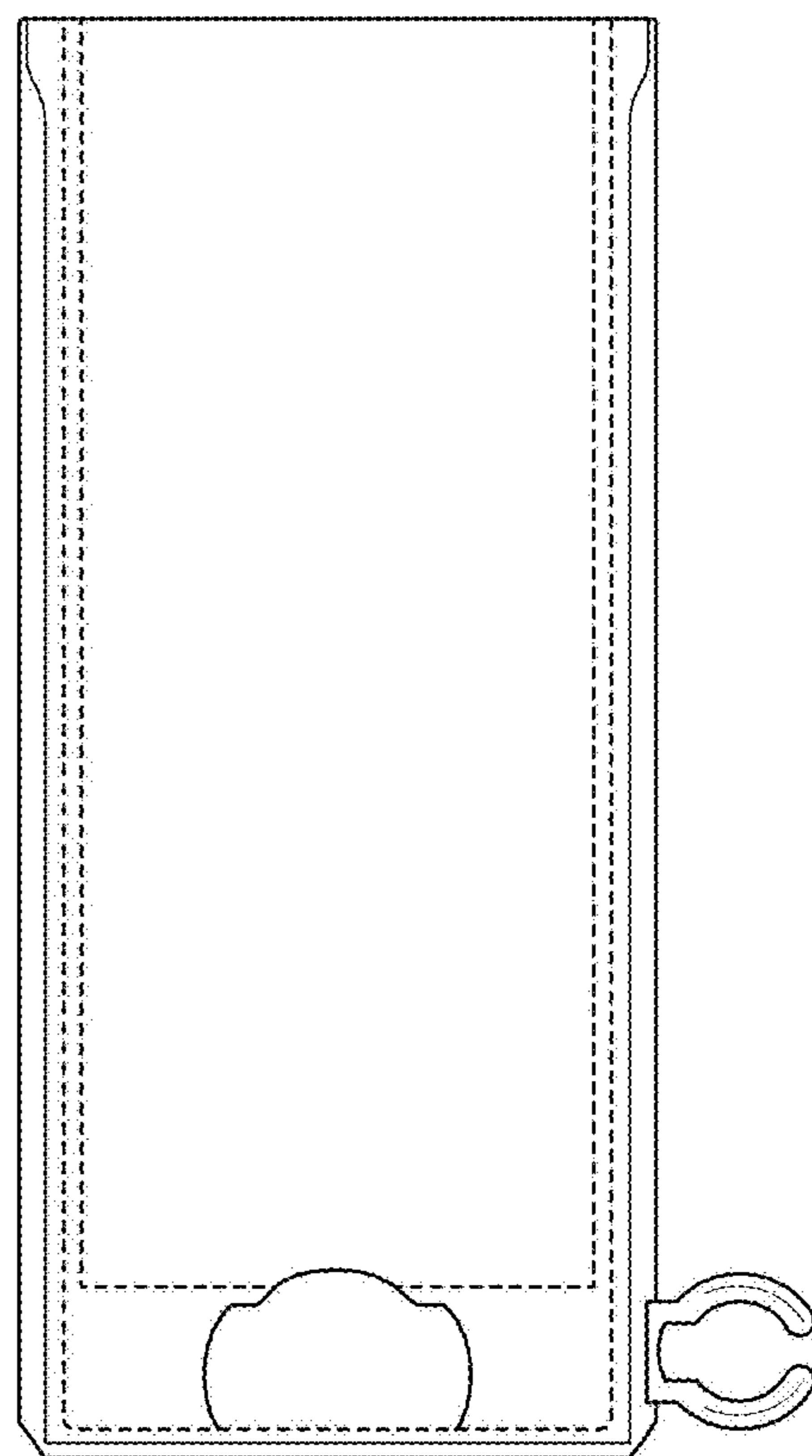


FIG. 5

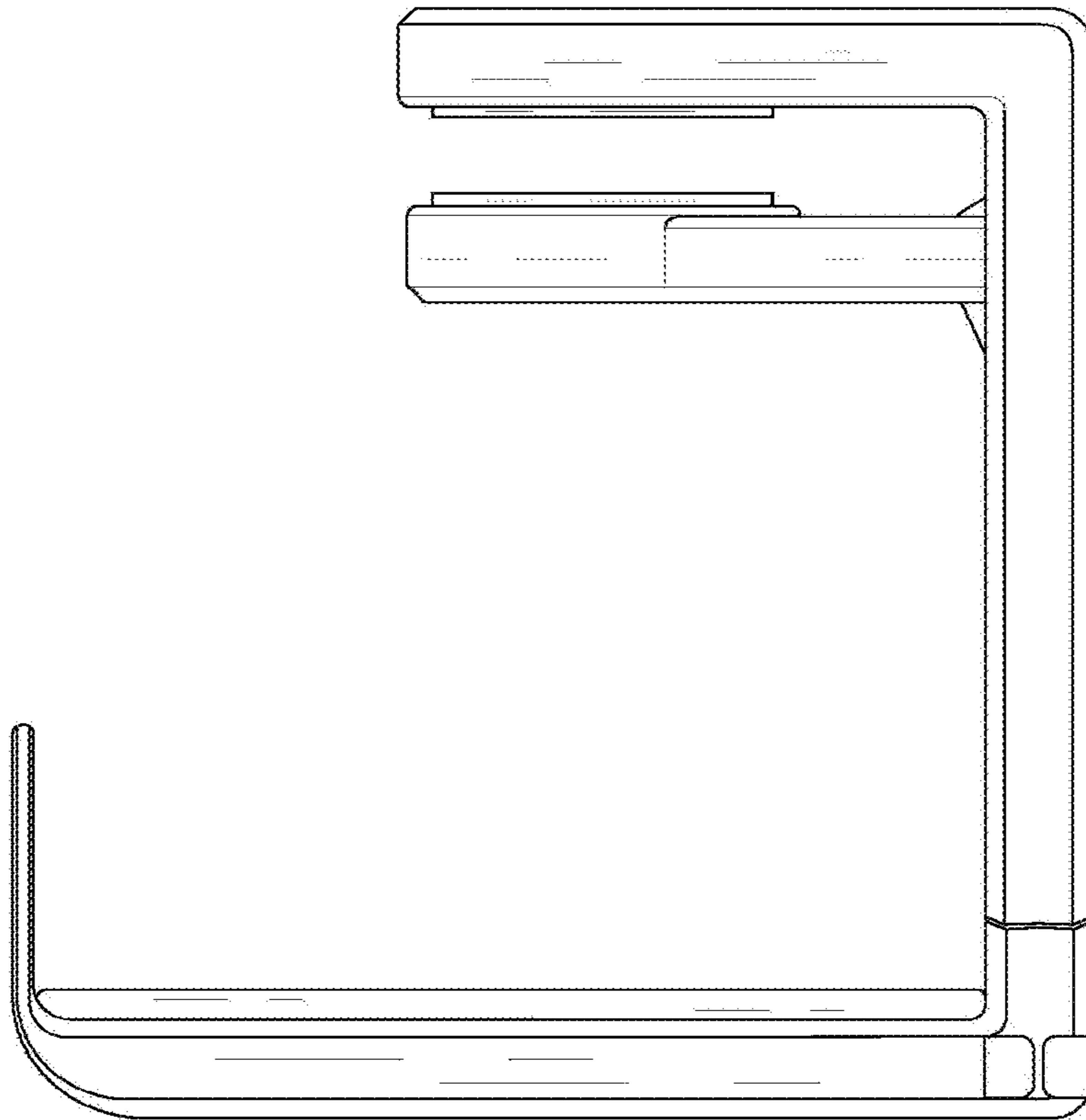


Fig. 6

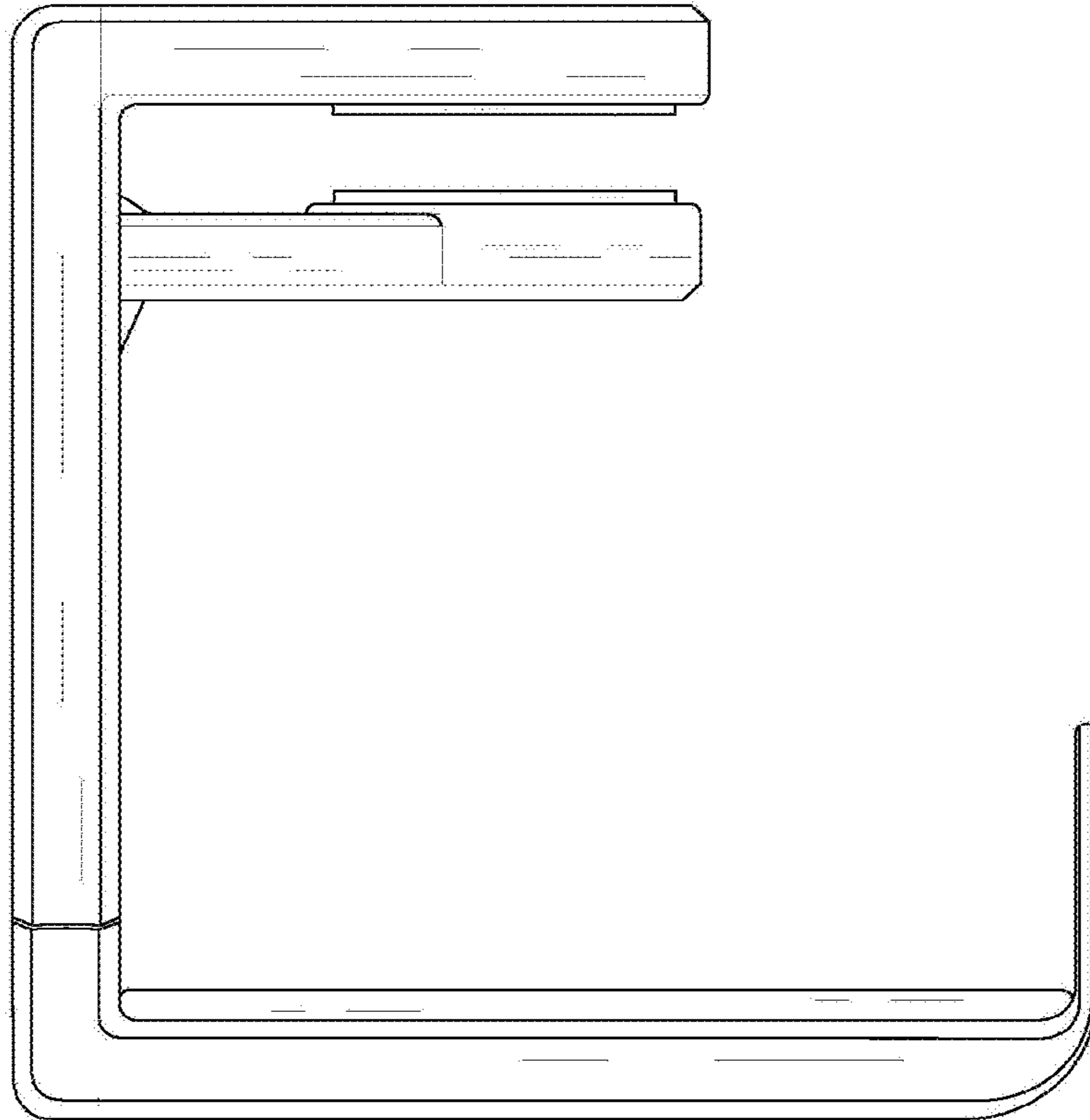


Fig. 7

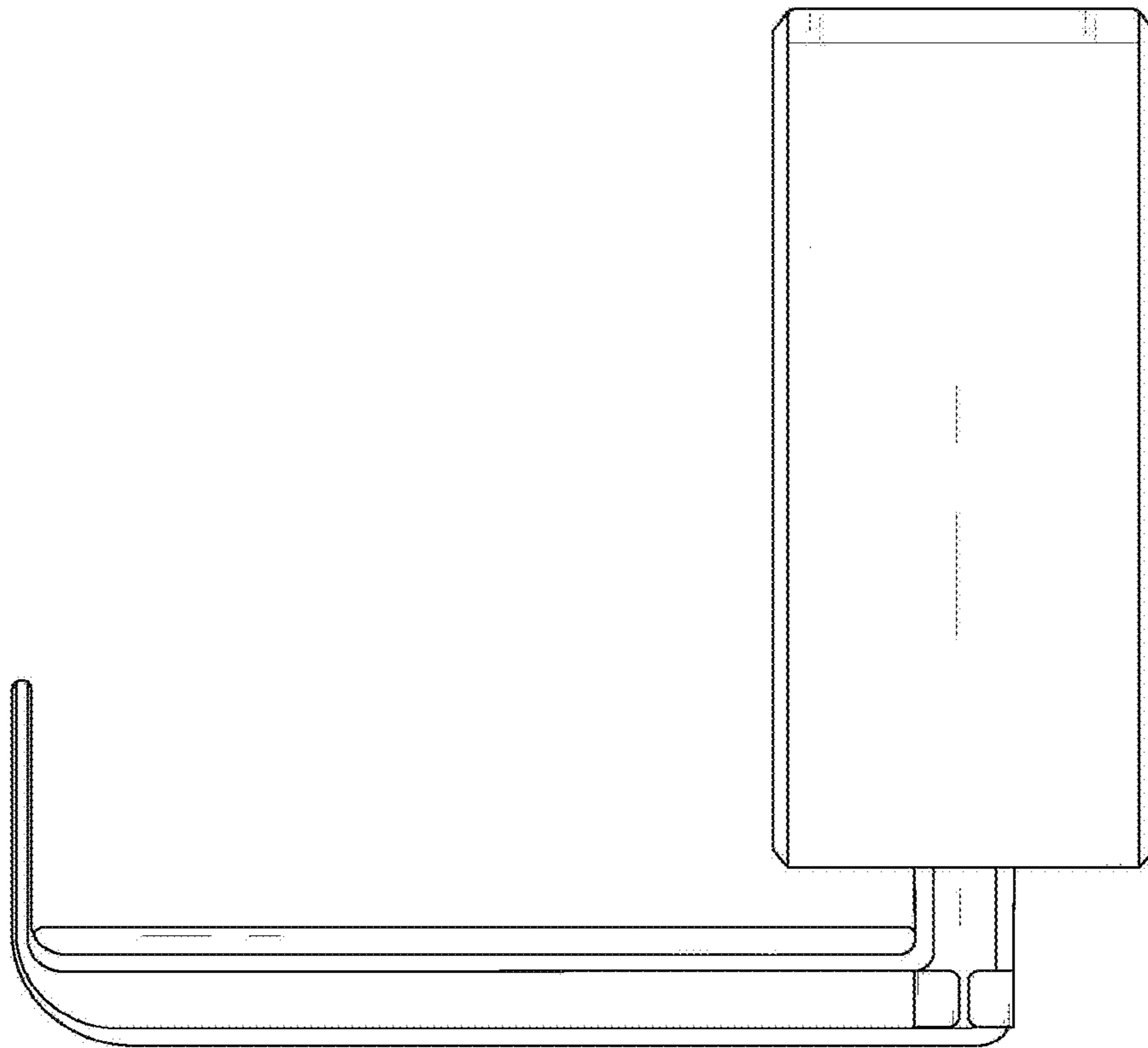


Fig. 8

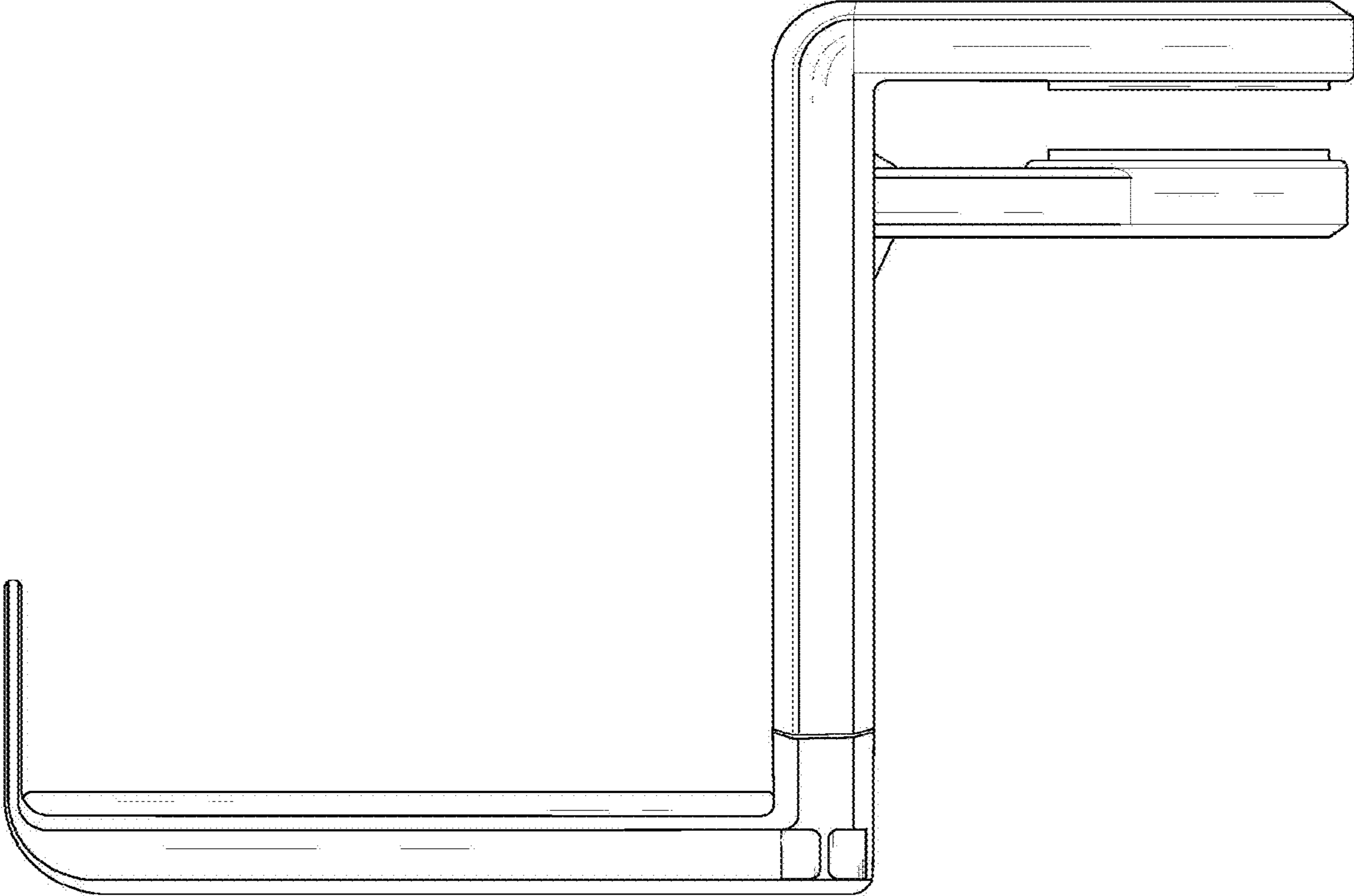


Fig. 9