



US00D967073S

(12) **United States Design Patent**
Park et al.

(10) **Patent No.: US D967,073 S**
(45) **Date of Patent: ** Oct. 18, 2022**

(54) **WIRELESS EARBUD**
(71) Applicant: **LG ELECTRONICS INC.**, Seoul (KR)
(72) Inventors: **Soonhyun Park**, Seoul (KR); **Byunghyun Yi**, Seoul (KR); **Gangho Woo**, Seoul (KR)
(73) Assignee: **LG ELECTRONICS INC.**, Seoul (KR)
(**) Term: **15 Years**

D902,184 S *	11/2020	Yang	D14/223
10,827,249 B1 *	11/2020	Pine	H04R 1/1041
D903,638 S *	12/2020	Li	D14/223
D906,292 S *	12/2020	Wang	D14/223
D908,667 S *	1/2021	He	D14/223
D920,288 S *	5/2021	Vautour	D14/223
D920,958 S *	6/2021	Ye	D14/223
D922,358 S *	6/2021	Li	D14/223
D925,492 S *	7/2021	Sugiura	D14/223
D927,466 S *	8/2021	Zhang	D14/223
D929,378 S *	8/2021	Li	D14/223
D930,615 S *	9/2021	Tanaka	D14/223
D930,617 S *	9/2021	Tanaka	D14/223

(Continued)

(21) Appl. No.: **35/512,527**
(22) Filed: **Mar. 4, 2021**
(80) **Hague Agreement Data**
Int. Filing Date: **Mar. 4, 2021**
Int. Reg. No.: **DM/213261**
Int. Reg. Date: **Mar. 4, 2021**
Int. Reg. Pub. Date: **Sep. 10, 2021**

FOREIGN PATENT DOCUMENTS

IN	342609-001-0001	*	4/2021
WO	D213261-001	*	3/2021

Primary Examiner — Paula Allen Greene
(74) *Attorney, Agent, or Firm* — Birch, Stewart, Kolasch & Birch, LLP

(30) **Foreign Application Priority Data**
Oct. 14, 2020 (KR) 30-2020-0049209
(51) **LOC (13) Cl.** **14-01**
(52) **U.S. Cl.**
USPC **D14/223**
(58) **Field of Classification Search**
USPC D14/223, 205; D13/108; D24/174;
128/864-866; 381/380-381, 322, 328
CPC H04R 1/10; H04R 25/00; H04R 25/02;
H04R 1/1016; H04R 1/1066; H04R
5/033; H04R 5/0335
See application file for complete search history.

(57) **CLAIM**

The ornamental design for a wireless earbud, as shown and described.

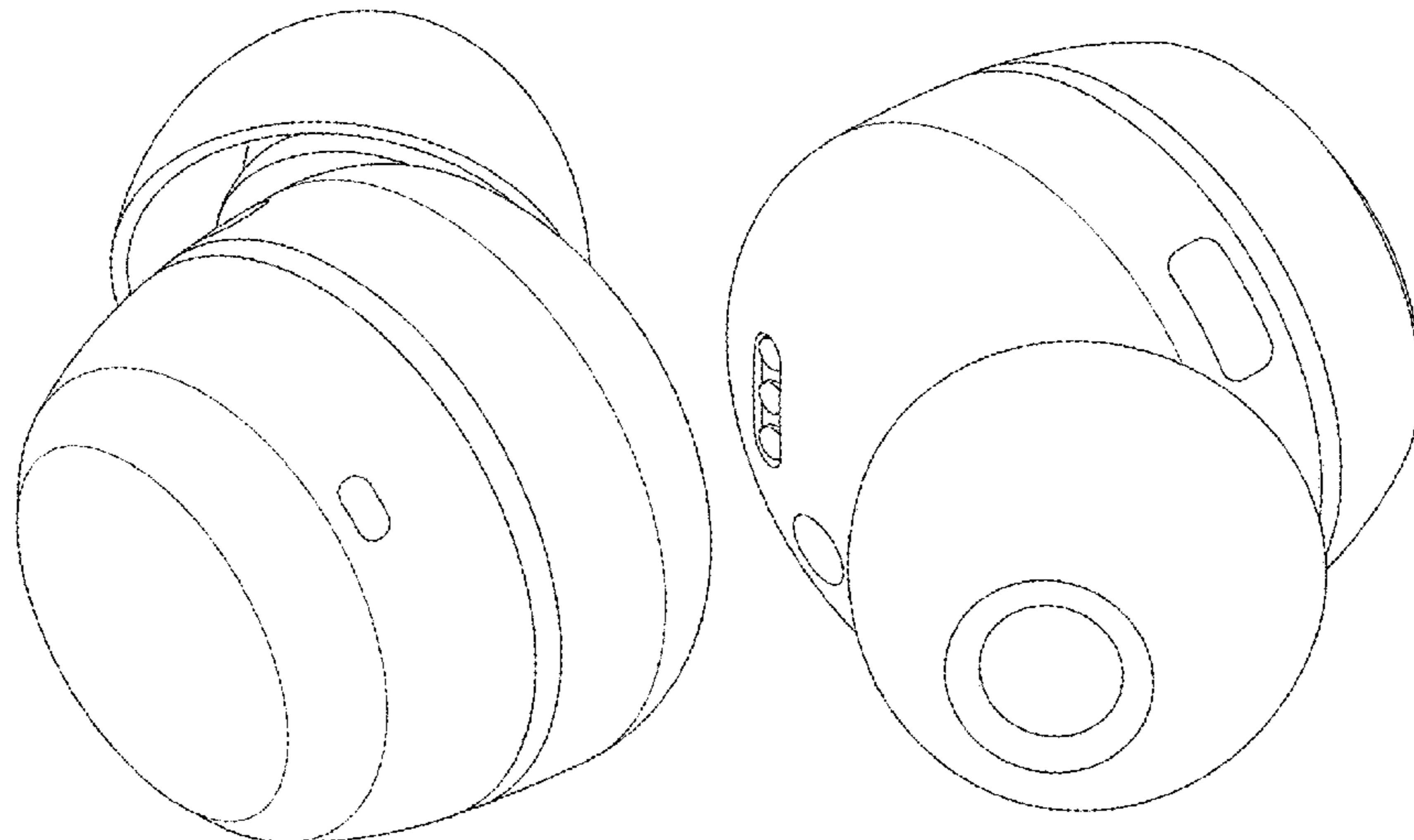
DESCRIPTION

- 1. Wireless earbud
- 1.1 : Front perspective
- 1.2 : Rear perspective
- 1.3 : Front
- 1.4 : Back
- 1.5 : Left
- 1.6 : Right
- 1.7 : Top
- 1.8 : Bottom
- 1.9 : Reference

Reproduction 1.9 is a reference view showing a use state of the claimed design; the parts shown by means of broken lines in reproduction 1.9 are not part of the claimed design.

(56) **References Cited**
U.S. PATENT DOCUMENTS
D890,727 S * 7/2020 Park D14/223
D900,064 S * 10/2020 Laffon de Mazieres D14/223

1 Claim, 9 Drawing Sheets



(56)

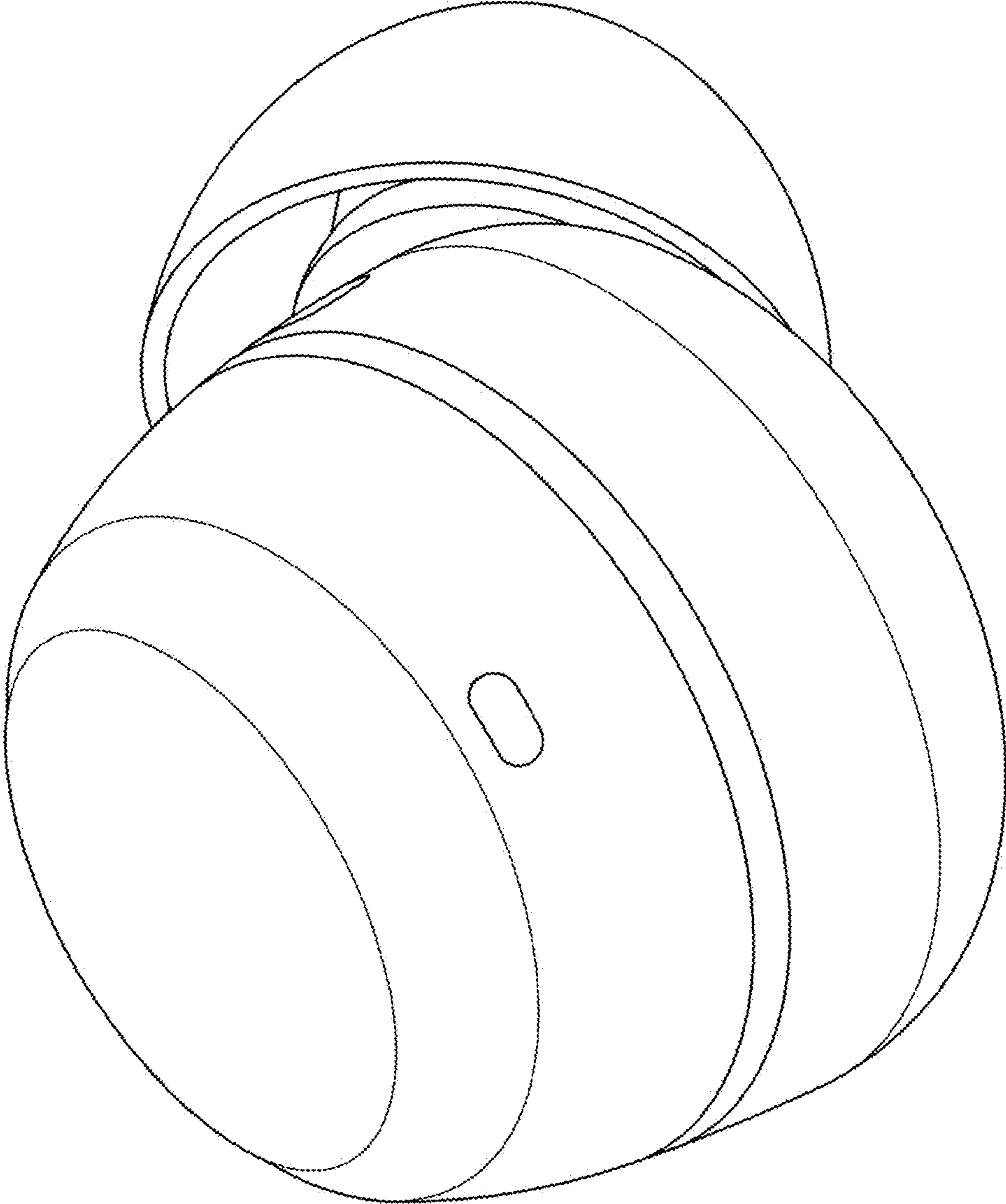
References Cited

U.S. PATENT DOCUMENTS

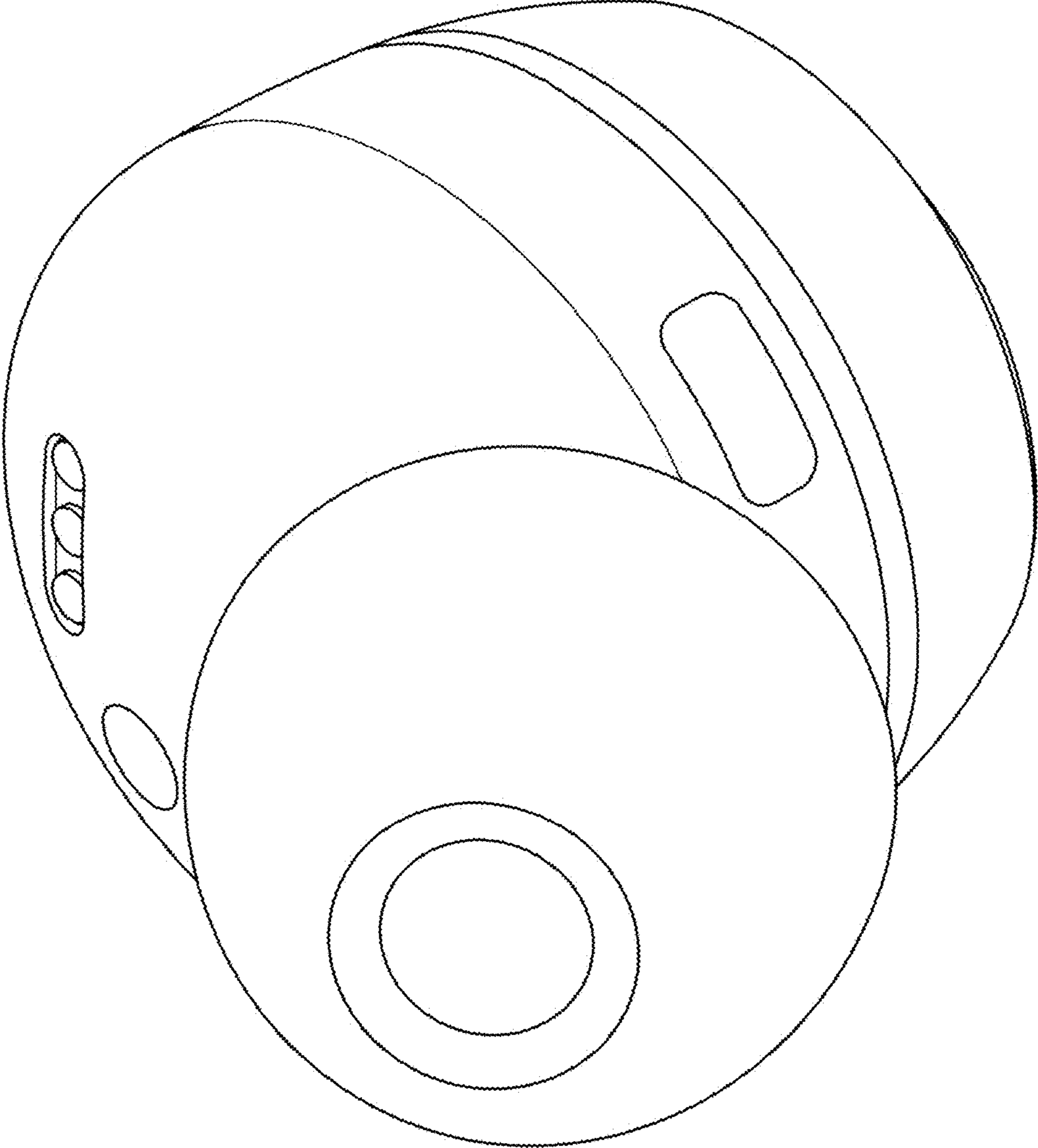
D934,841	S	*	11/2021	Takubo	D14/223
D939,479	S	*	12/2021	Wang	D14/223
D940,112	S	*	1/2022	Yi	D14/223
D941,275	S	*	1/2022	Liu	D14/223
D941,805	S	*	1/2022	Li	D14/223
D945,405	S	*	3/2022	Rose	D14/223
D948,483	S	*	4/2022	Yoneyama	D14/223
D954,027	S	*	6/2022	Chen	D14/223
D954,683	S	*	6/2022	Huang	D14/223
2020/0186906	A1	*	6/2020	Birch	H04R 1/1041
2021/0014598	A1	*	1/2021	Pine	H04R 1/1025
2021/0152921	A1	*	5/2021	Silva	H04R 1/1058
2021/0250671	A1	*	8/2021	Bigeh	H04R 1/1016
2021/0352395	A1	*	11/2021	Wang	H04R 1/1016
2021/0400370	A1	*	12/2021	Pine	H04R 1/1025
2022/0095040	A1	*	3/2022	Holley	H04R 1/1016

* cited by examiner

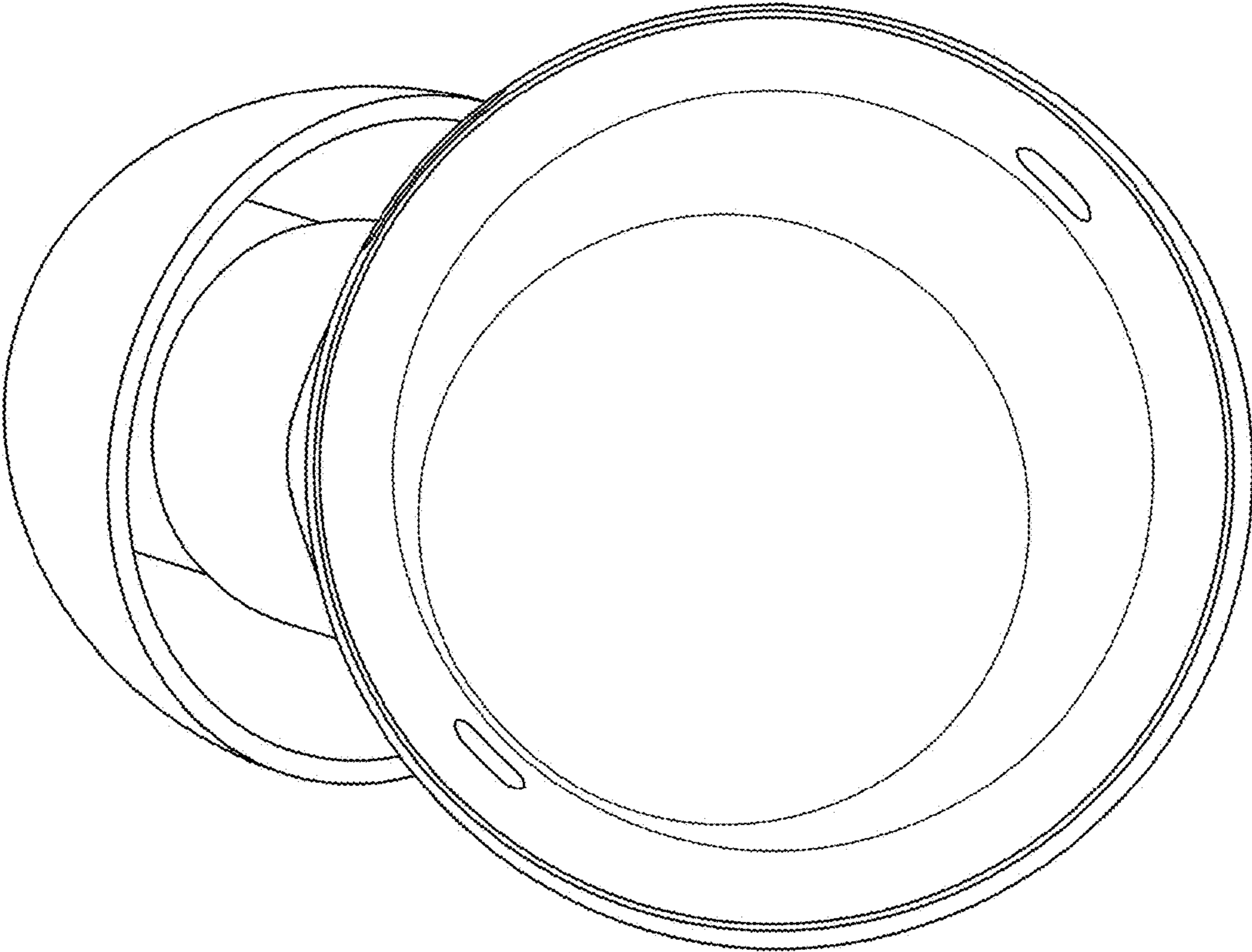
1.1



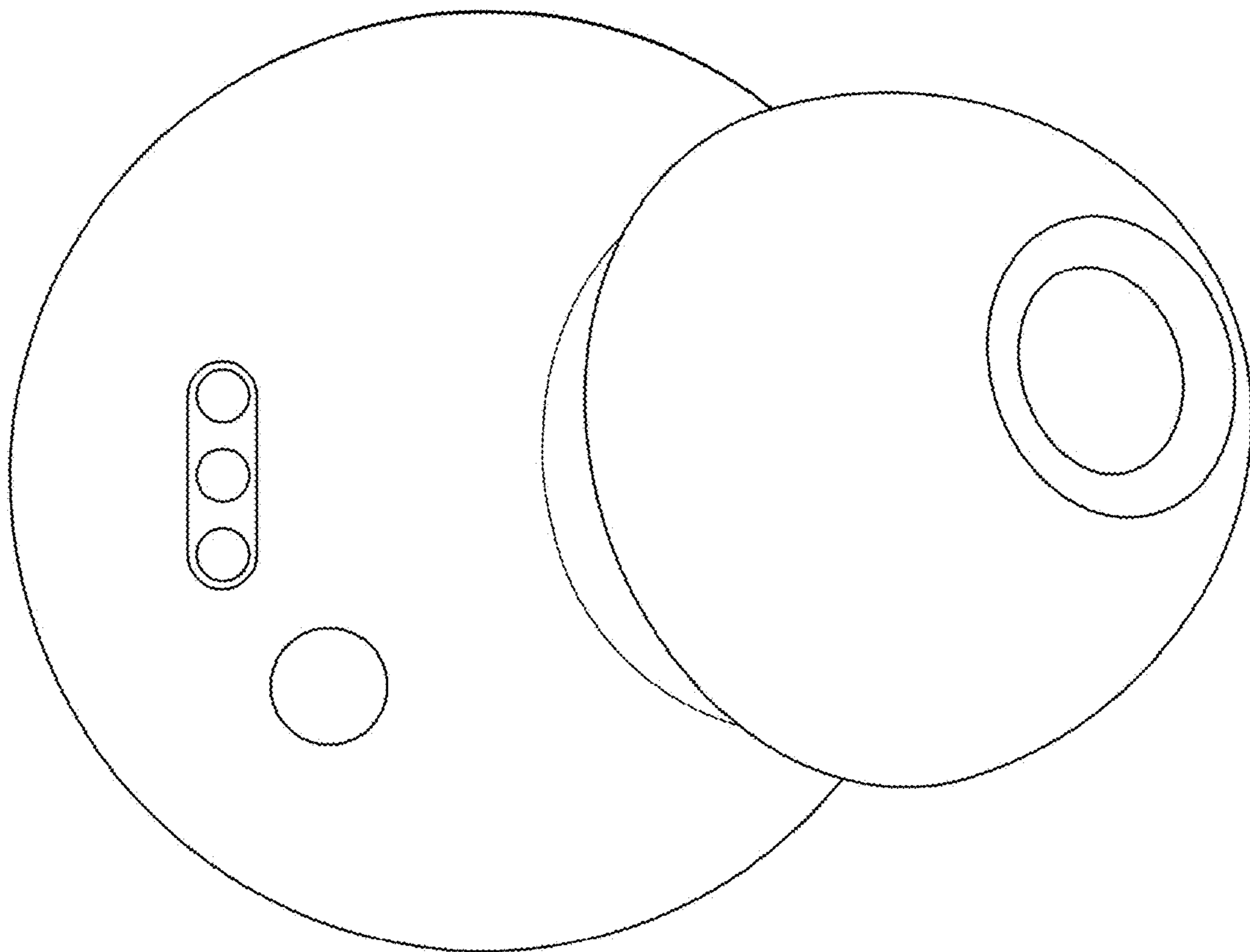
1.2



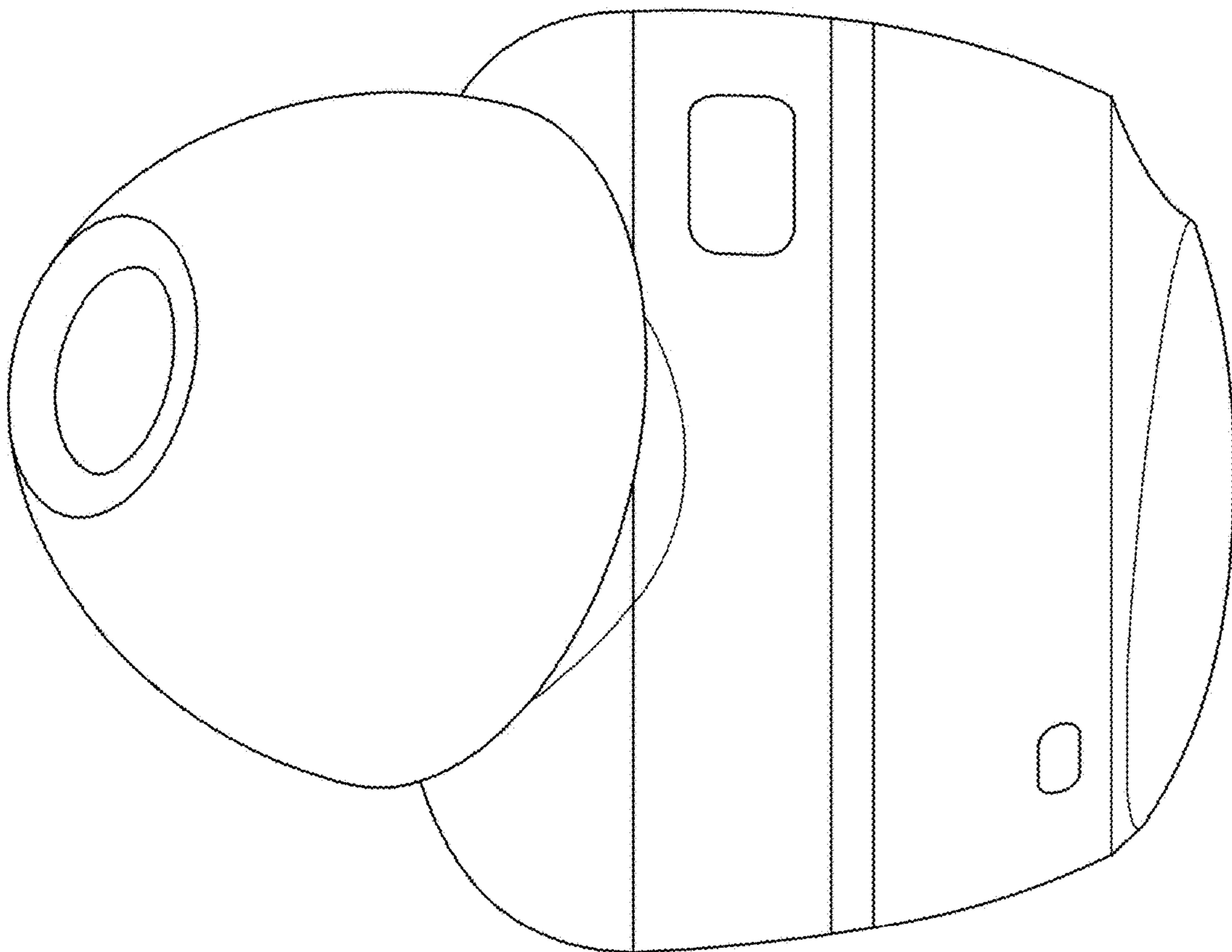
1.3



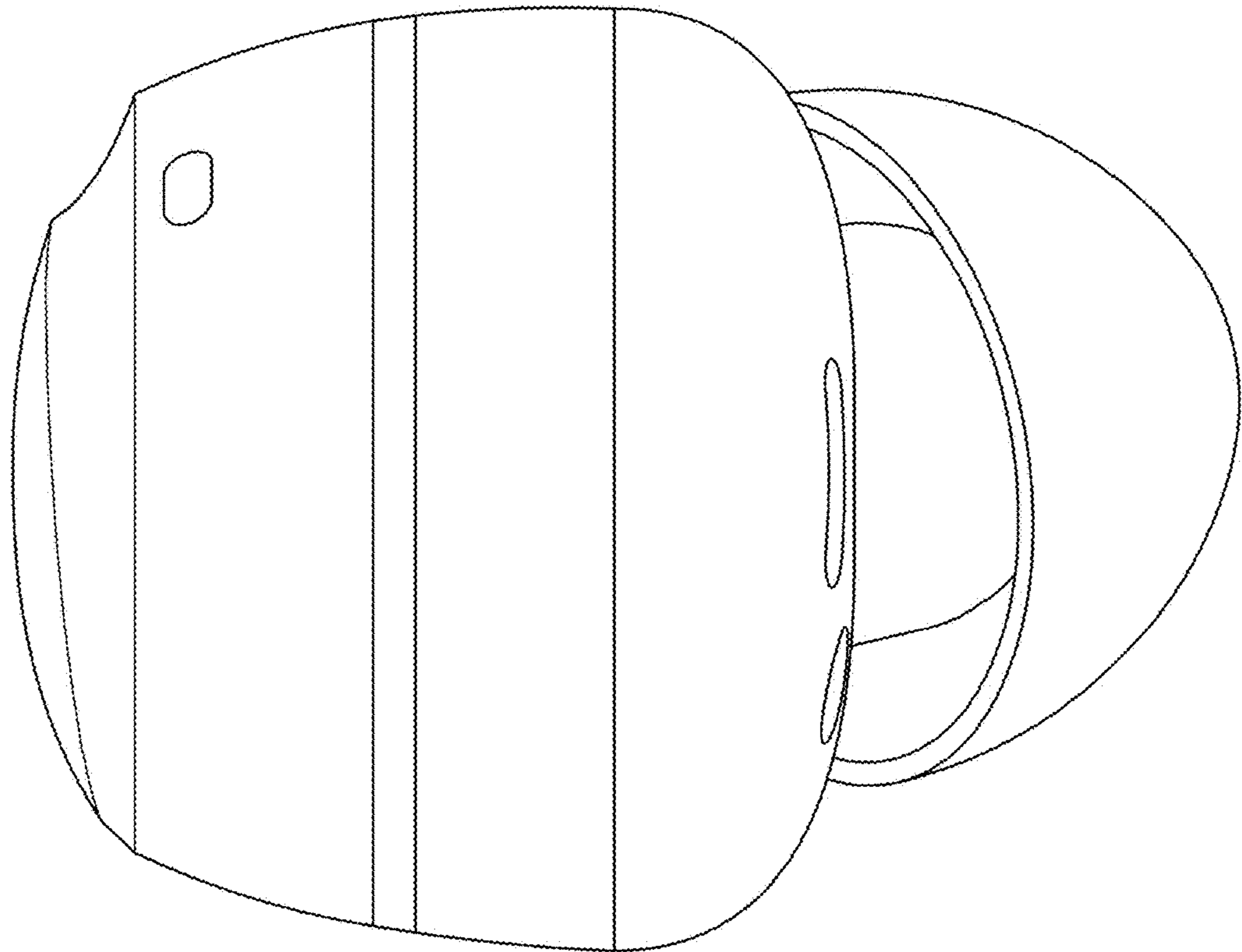
1.4



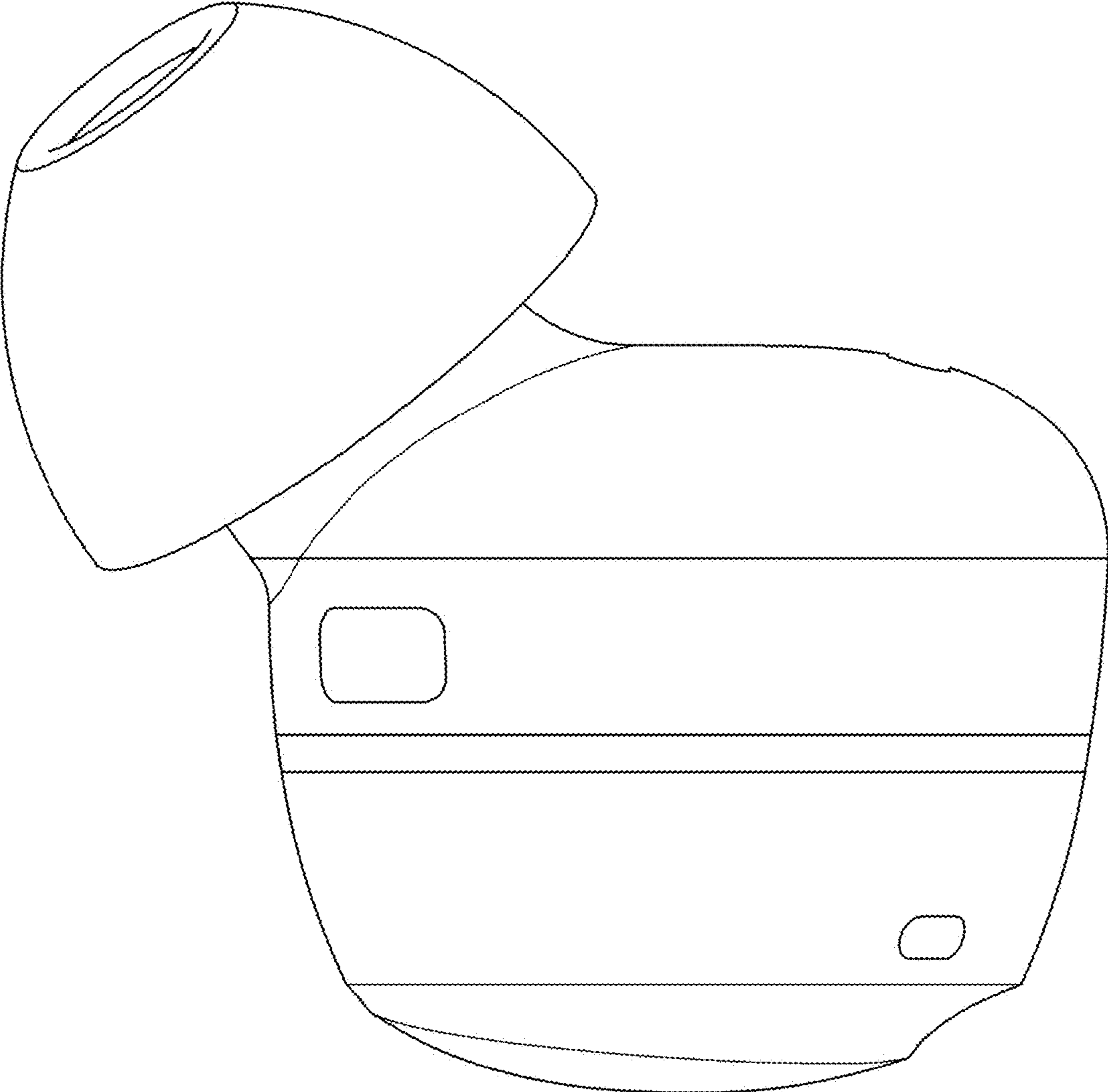
1.5



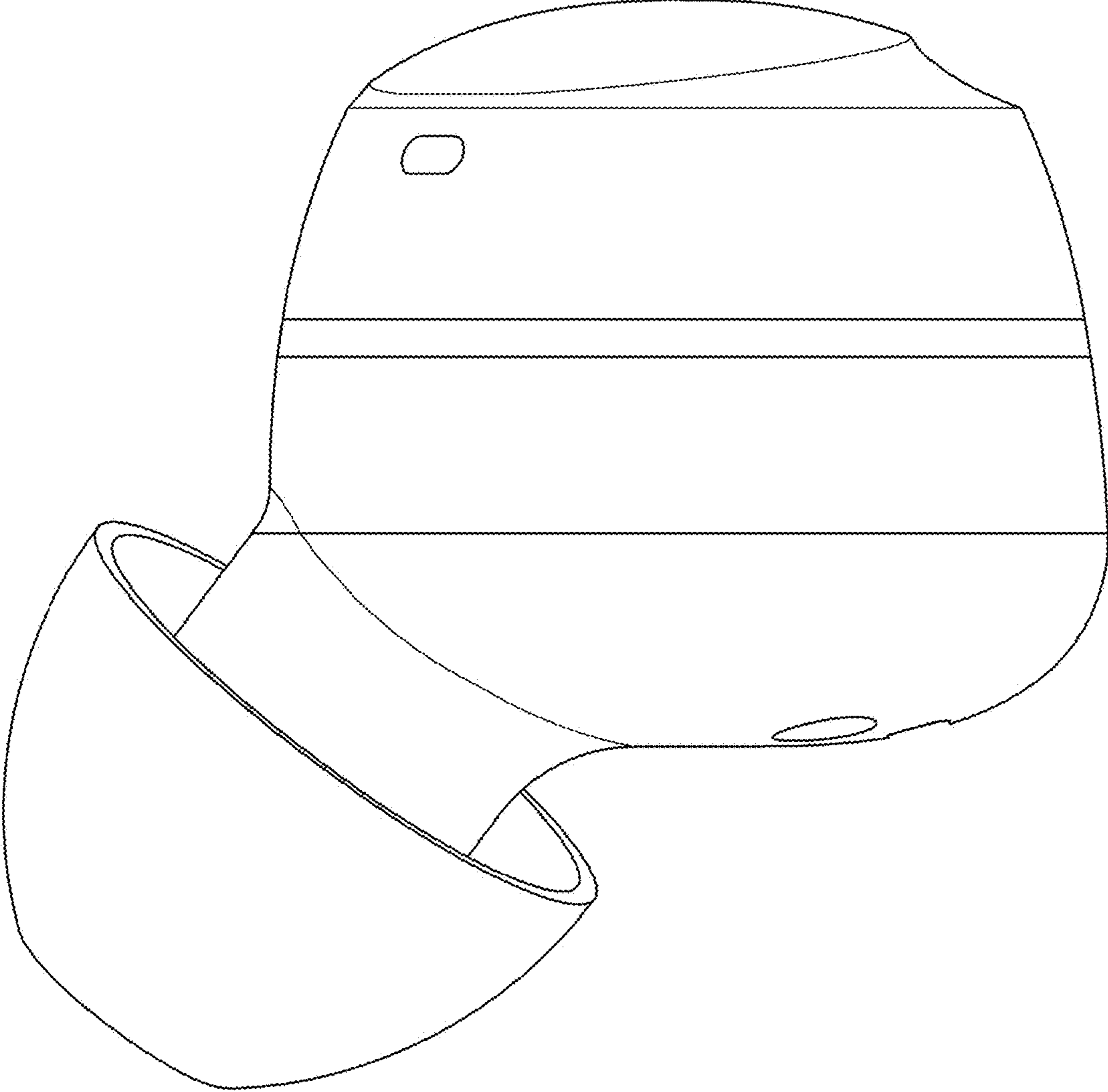
1.6



1.7



1.8



1.9

