

US00D967072S

(12) **United States Design Patent**
Wang

(10) **Patent No.:** **US D967,072 S**
(45) **Date of Patent:** **** Oct. 18, 2022**

(54) **WIRELESS EARBUDS**
(71) Applicant: **SHENZHEN WINNERSHINE ELECTRONICS CO., LTD.**, Shenzhen (CN)
(72) Inventor: **Sanjiu Wang**, Shenzhen (CN)
(73) Assignee: **SHENZHEN WINNERSHINE ELECTRONICS CO., LTD.**, Shenzhen (CN)
(**) Term: **15 Years**

D635,960 S * 4/2011 Gondo D14/223
D639,787 S * 6/2011 Quek D14/223
D656,490 S * 3/2012 Birger D14/223
D662,088 S * 6/2012 Brandis D14/223
8,265,328 B2 * 9/2012 Milde H04R 1/1066
381/381
D695,275 S * 12/2013 Chee D14/223
8,655,005 B2 * 2/2014 Birger H04R 1/1091
381/381
D743,945 S * 11/2015 Brunner D14/223
D743,946 S * 11/2015 Brunner D14/223
D792,378 S * 7/2017 Brunner D14/223
D801,952 S * 11/2017 Lian D14/223

(Continued)

(21) Appl. No.: **29/835,708**
(22) Filed: **Apr. 21, 2022**
(51) **LOC (13) Cl.** **14-01**
(52) **U.S. Cl.**
USPC **D14/223**
(58) **Field of Classification Search**
USPC D14/223, 205; D3/294; D13/108;
D24/174; 128/864-866; 381/380-381,
381/374
CPC H04R 25/00; H04R 25/02; H04R 1/1066;
H04R 1/1016; H04R 1/10; H04R 1/1083;
H04R 5/033; H04R 5/0335; H04R
1/1091; F21V 33/00
See application file for complete search history.

FOREIGN PATENT DOCUMENTS

CN 305661450 * 3/2020
EM 006950184-0001 * 9/2019

(Continued)

Primary Examiner — Paula Allen Greene
(74) *Attorney, Agent, or Firm* — Daniel M. Cohn;
Howard M. Cohn

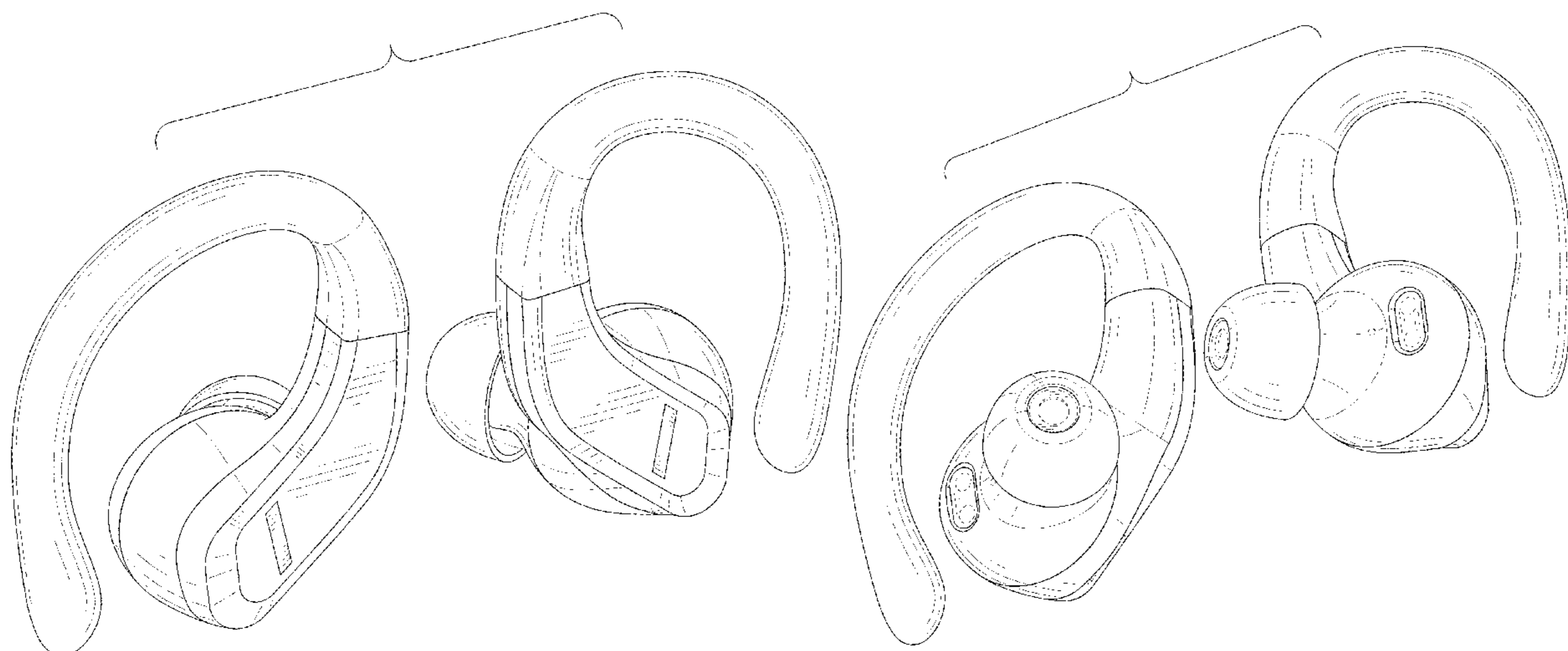
(57) **CLAIM**

The ornamental design for wireless earbuds, as shown and described.

DESCRIPTION

FIG. 1 is a perspective view of wireless earbuds showing my new design;
FIG. 2 is another perspective view thereof;
FIG. 3 is a front elevational view thereof;
FIG. 4 is a rear elevational view thereof;
FIG. 5 is a left side elevational view thereof;
FIG. 6 is a right side elevational view thereof;
FIG. 7 is a top plan view thereof; and,
FIG. 8 is a bottom plan view thereof.
The broken lines in the drawings depict portions of the wireless earbuds that form no part of the claimed design.

1 Claim, 8 Drawing Sheets



(56)

References Cited

U.S. PATENT DOCUMENTS

D806,684 S * 1/2018 Tsai D14/223
 D807,331 S * 1/2018 Morimoto D14/223
 D810,053 S * 2/2018 Otani D14/223
 D827,616 S * 9/2018 Lian D14/223
 D834,003 S * 11/2018 Maeda D14/223
 D838,692 S * 1/2019 Fu D14/223
 D843,344 S * 3/2019 Zhu D14/205
 D844,588 S * 4/2019 Brunner D14/223
 D852,784 S 7/2019 Cramer et al.
 D858,482 S * 9/2019 Ma D14/205
 D863,265 S * 10/2019 Hu D14/223
 D868,749 S * 12/2019 Brunner D14/223
 D869,434 S * 12/2019 Biao D14/205
 D869,435 S * 12/2019 Sanhua D14/205
 D870,080 S * 12/2019 Zeng D14/223
 D871,375 S * 12/2019 Meyer D14/223
 D873,247 S * 1/2020 Zhu D14/223
 D873,789 S * 1/2020 Hu D14/223
 D881,839 S 4/2020 Hardi
 D881,850 S * 4/2020 Zhang D14/223
 D888,023 S * 6/2020 Gao D14/223
 D890,137 S * 7/2020 Ma D14/223
 D890,725 S * 7/2020 Liu D14/223
 D899,089 S * 10/2020 Yu D3/297
 D902,891 S * 11/2020 Liu D14/223
 D905,002 S * 12/2020 Koneru D3/319
 D915,357 S * 4/2021 Gao D14/223
 D918,865 S * 5/2021 Bellham D14/205

D919,595 S * 5/2021 Ott D14/223
 D928,125 S * 8/2021 Brunner D14/223
 D932,472 S * 10/2021 Wang D14/223
 D941,806 S * 1/2022 Liu D14/223
 D945,401 S * 3/2022 Lee D14/223
 D946,554 S * 3/2022 Sasaki D14/223
 2003/0044038 A1 * 3/2003 Shirata H04R 1/105
 381/381
 2003/0048916 A1 * 3/2003 Chen H04R 1/1058
 381/322
 2005/0058280 A1 * 3/2005 Ma H04R 1/1041
 379/430
 2012/0140976 A1 * 6/2012 Birger H04M 1/6066
 381/381
 2012/0257773 A1 * 10/2012 Liu H04R 1/1066
 381/381
 2018/0146280 A1 * 5/2018 Tang H04R 1/1091
 2019/0069072 A1 * 2/2019 Ansari H04R 1/1016
 2021/0067879 A1 * 3/2021 Li H04R 1/1008
 2021/0076118 A1 * 3/2021 Struzik H04R 1/105
 2021/0195312 A1 * 6/2021 Woo H04R 1/1066
 2022/0014833 A1 * 1/2022 Lee H04R 1/105
 2022/0095029 A1 * 3/2022 Zheng H04R 1/1008

FOREIGN PATENT DOCUMENTS

EM 008862395-0001 * 2/2022
 EM 008937676-0001 * 4/2022
 GB 6191896 * 2/2022
 JP D1661079 * 5/2020

* cited by examiner

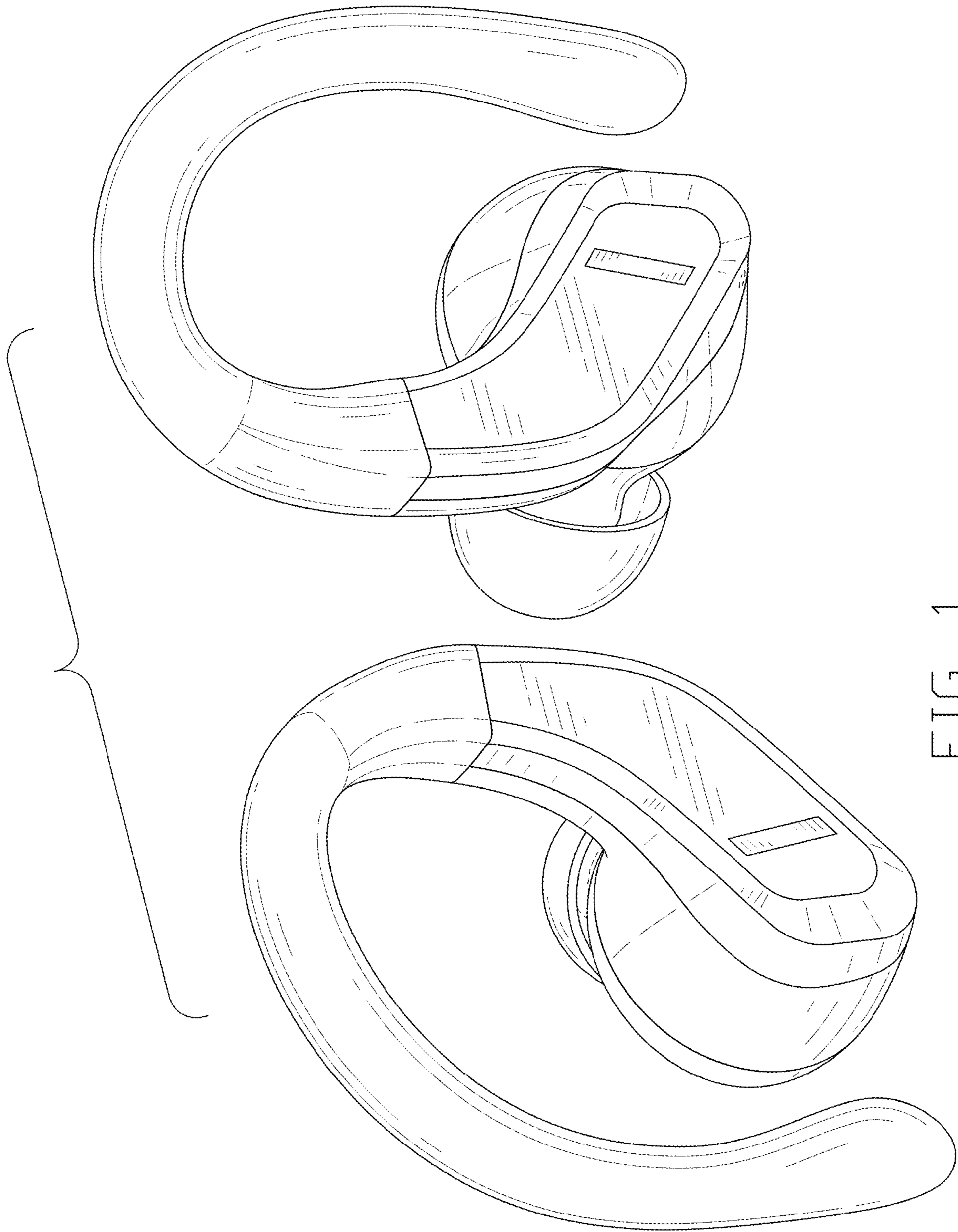


FIG. 1



FIG. 2

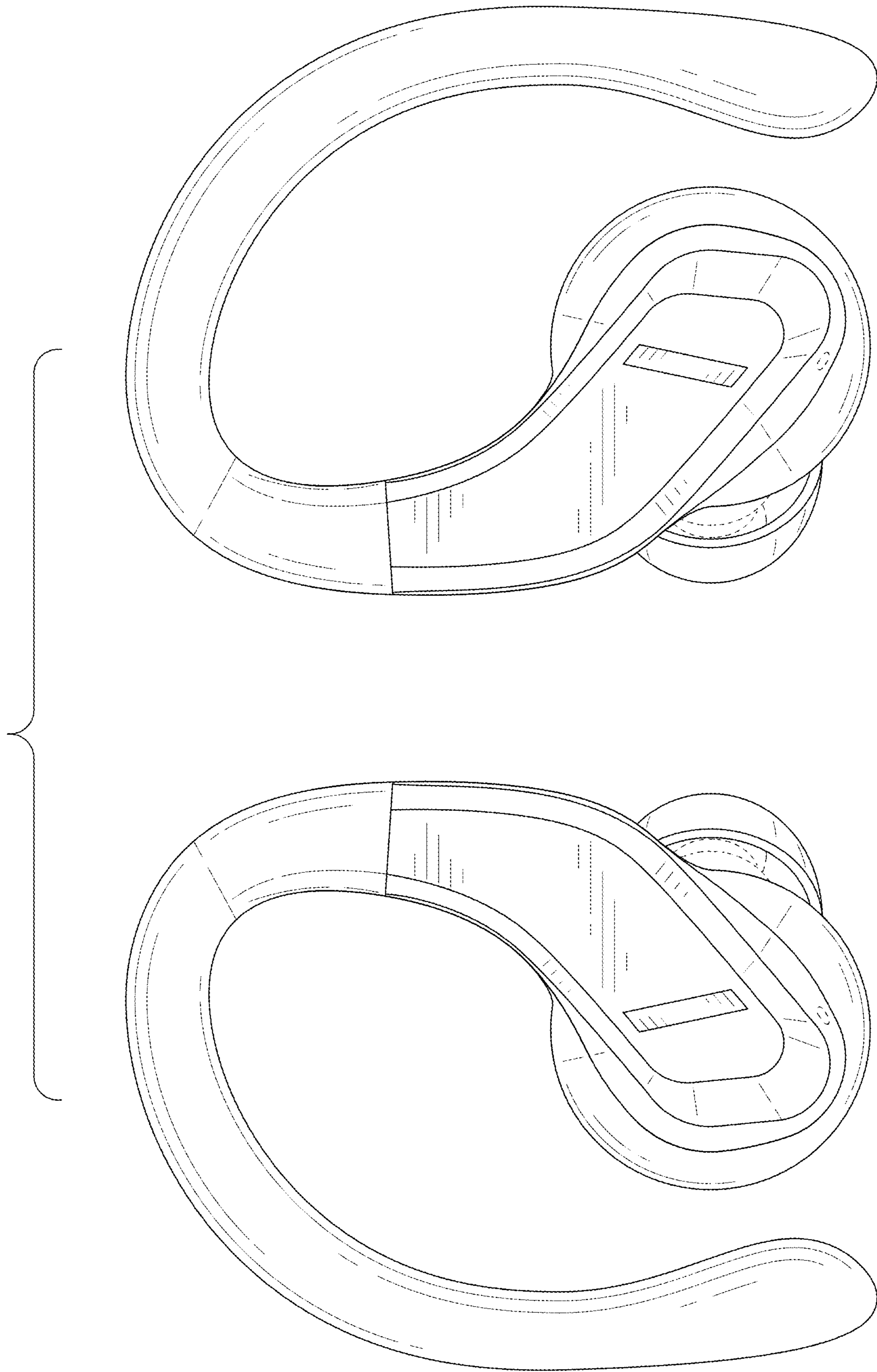


FIG. 3

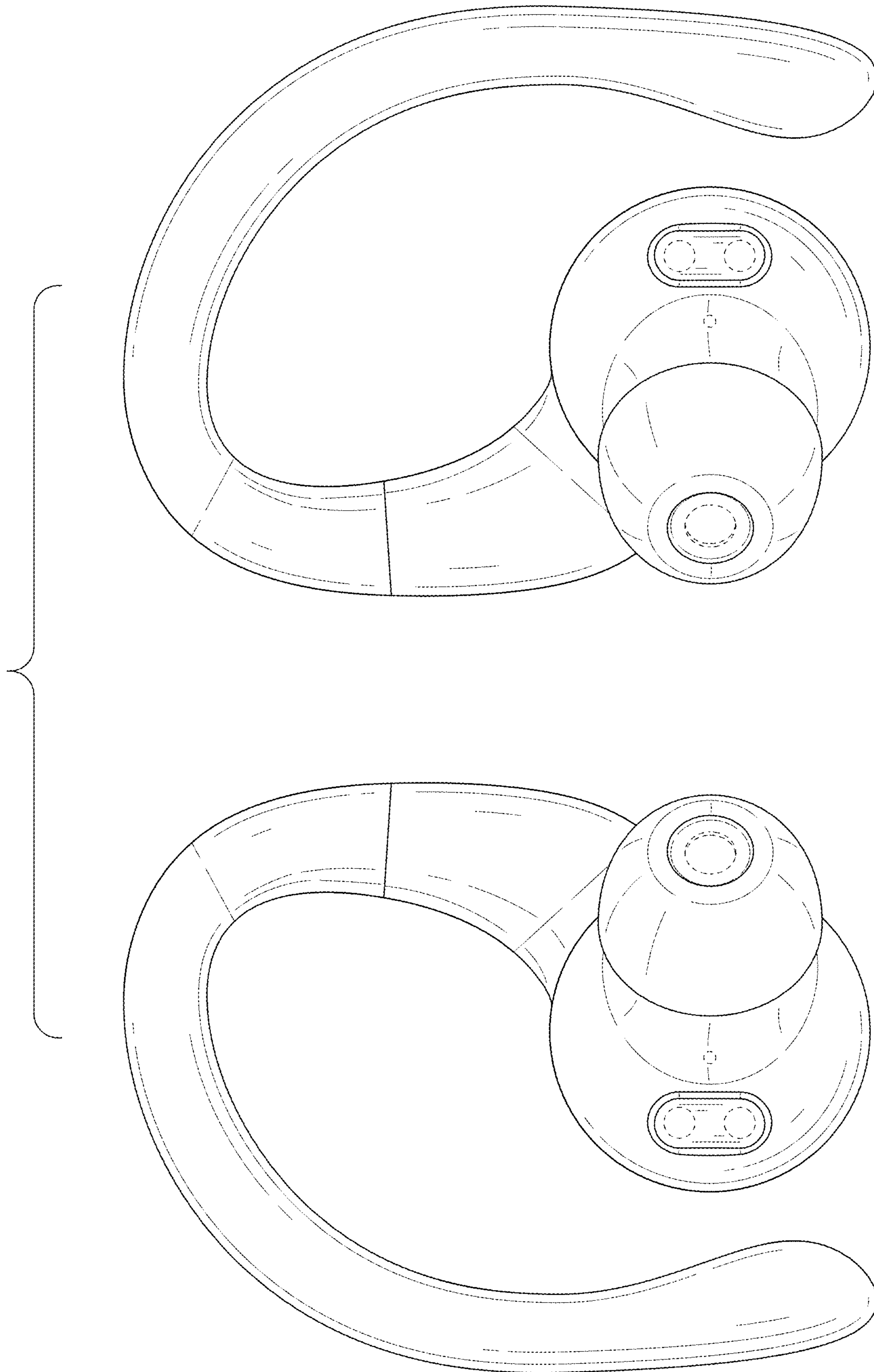


FIG. 4

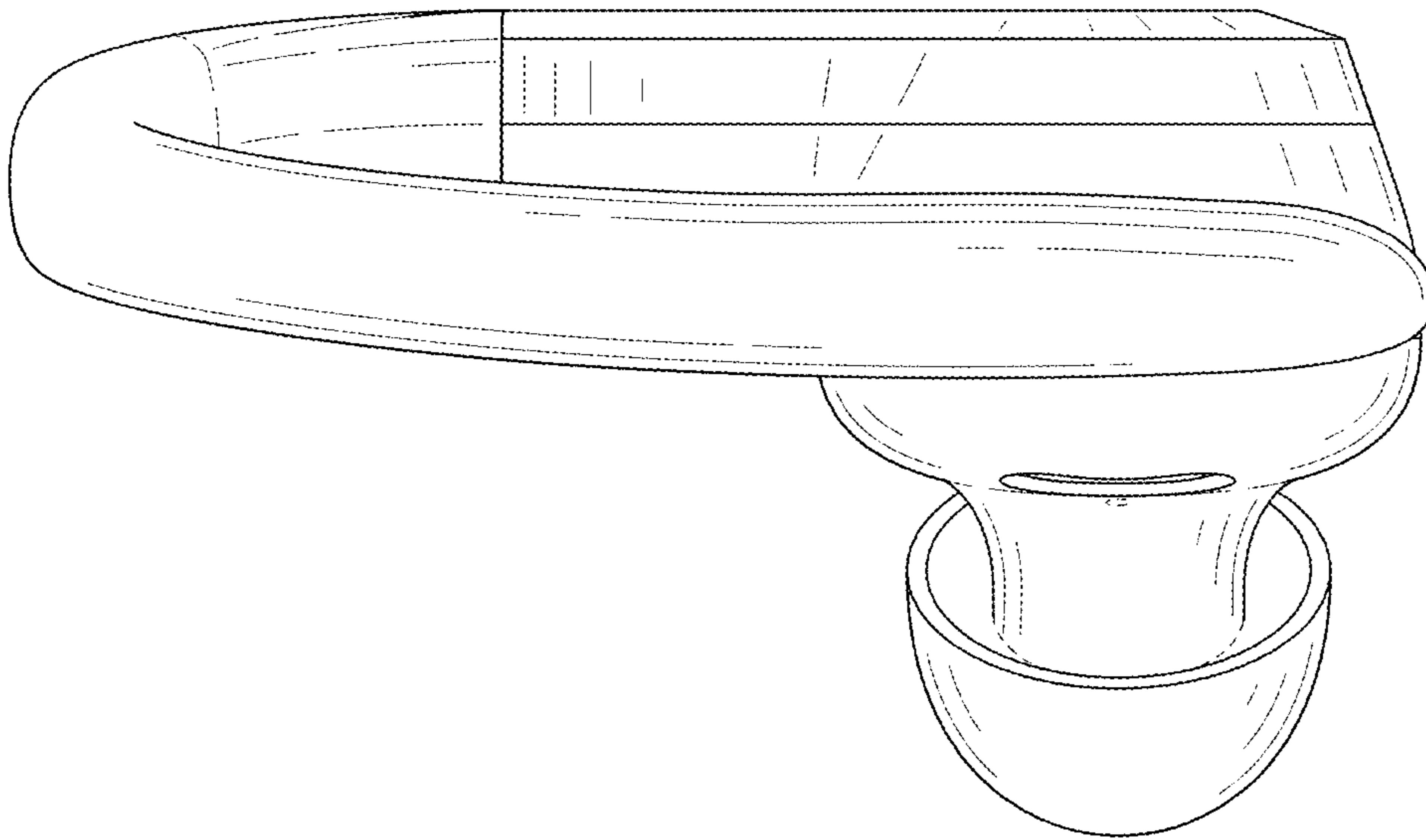


FIG. 5

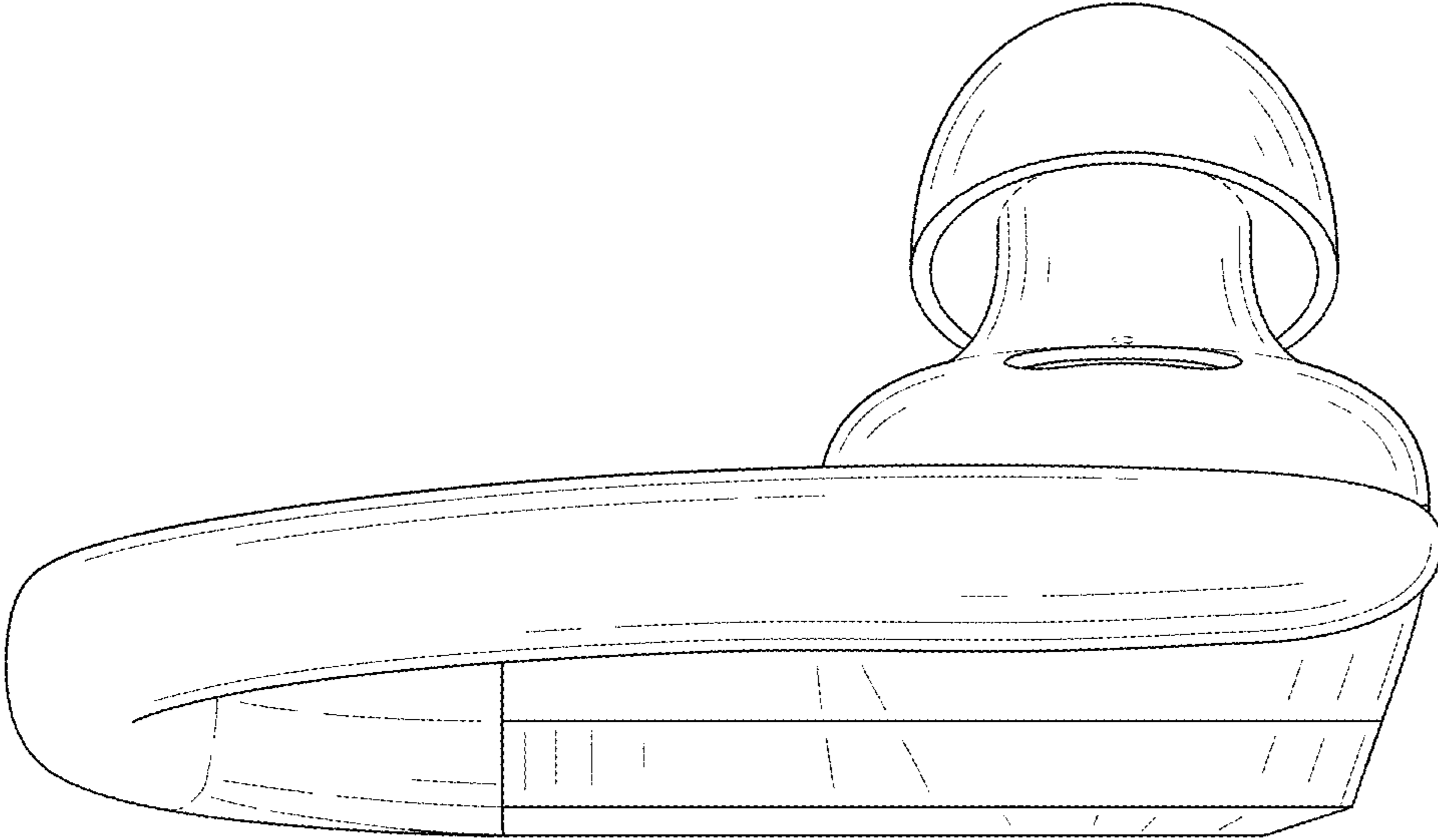


FIG. 6

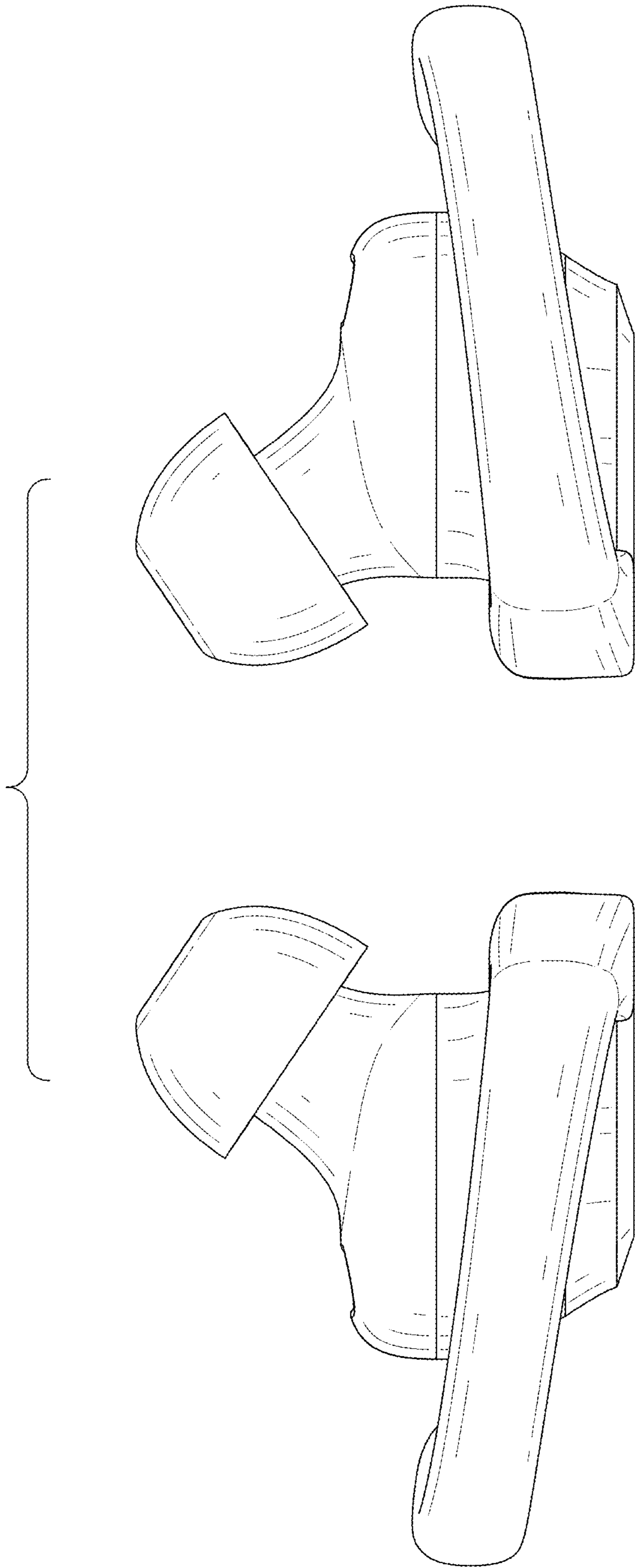


FIG. 7

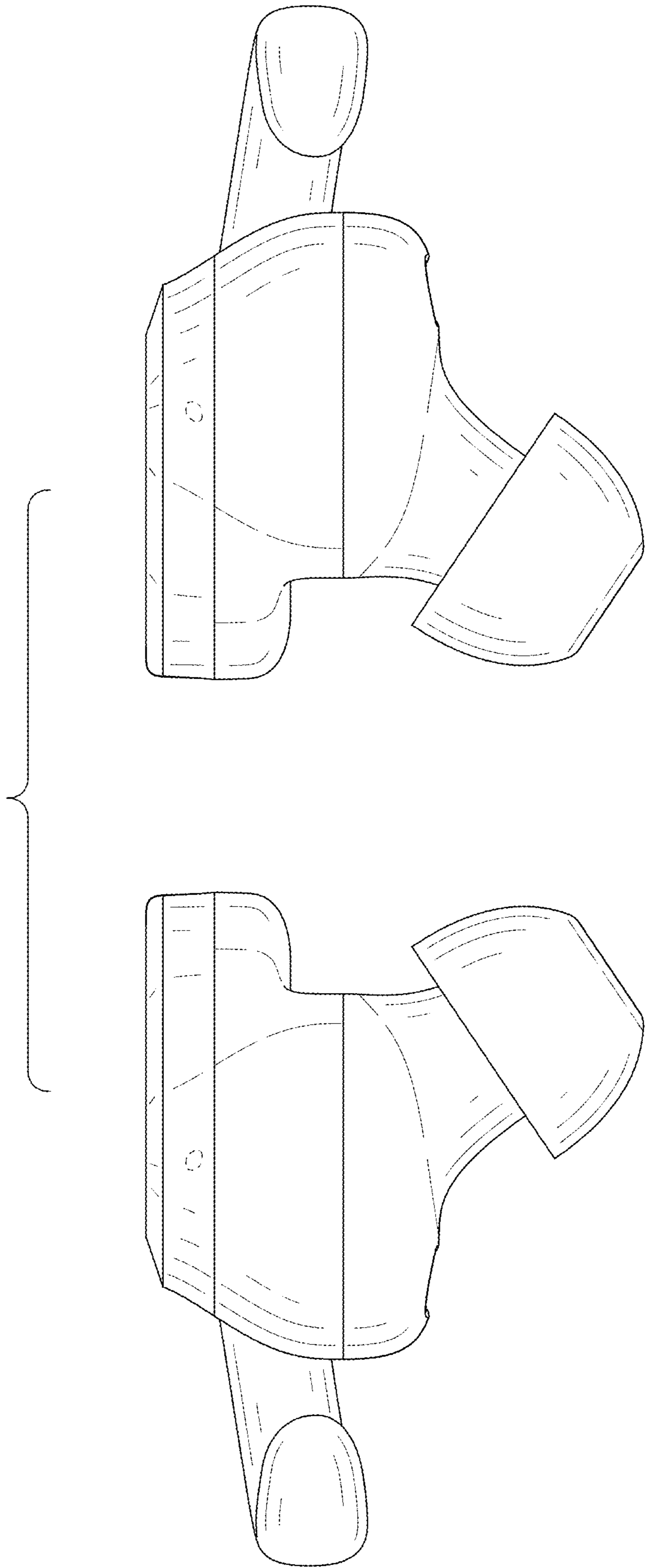


FIG. 8