



US00D967071S

(12) **United States Design Patent** (10) **Patent No.:** **US D967,071 S**  
**Wu** (45) **Date of Patent:** **\*\* Oct. 18, 2022**

(54) **SET OF EARPHONES**

(71) Applicant: **Tao Wu**, Maoming (CN)

(72) Inventor: **Tao Wu**, Maoming (CN)

(\*\*) Term: **15 Years**

(21) Appl. No.: **29/832,703**

(22) Filed: **Mar. 29, 2022**

(51) **LOC (13) Cl.** ..... **14-01**

(52) **U.S. Cl.**  
USPC ..... **D14/223**

(58) **Field of Classification Search**  
USPC ..... D14/204–206, 223  
CPC .. H04R 1/1083; H04R 1/1041; H04R 1/1016;  
H04R 5/0335  
See application file for complete search history.

(56) **References Cited**

**U.S. PATENT DOCUMENTS**

D506,462 S *	6/2005	Han	.....	D14/205
D574,367 S *	8/2008	Jaakkola	.....	D14/223
D624,529 S *	9/2010	Huang	.....	D14/206
D649,533 S *	11/2011	Lee	.....	D14/223
D650,369 S *	12/2011	Park	.....	D14/223
D695,275 S *	12/2013	Chee	.....	D14/223
D786,216 S *	5/2017	Silva	.....	D14/205
D822,646 S *	7/2018	Dang	.....	D14/223
D850,408 S *	6/2019	Kawabata	.....	D14/206
D852,784 S *	7/2019	Cramer	.....	H04R 1/105 D14/223
D870,065 S *	12/2019	Kosaka	.....	D14/218
D876,398 S *	2/2020	Cai	.....	
D886,804 S *	6/2020	Cho	.....	D14/206
D890,137 S *	7/2020	Ma	.....	D14/223
D896,200 S *	9/2020	Ott	.....	D14/205
D916,055 S *	4/2021	Xiao	.....	D14/223
D916,056 S *	4/2021	Boyd	.....	D14/223
D918,180 S *	5/2021	Bailey	.....	D14/223
D938,941 S *	12/2021	Iwahori et al.	.....	
D941,806 S *	1/2022	Liu	.....	D14/223

D949,831 S *	4/2022	Kim	.....	D14/223
2007/0104345 A1 *	5/2007	Yang	.....	H04R 1/1066 381/381
2016/0073186 A1 *	3/2016	Searl	.....	H04R 1/105 381/380
2016/0100237 A1 *	4/2016	Blouse	.....	H04R 1/105 381/378

(Continued)

**FOREIGN PATENT DOCUMENTS**

CN	205179304 U *	4/2016	.....	H04R 1/1008
CN	307135418	* 3/2021		

(Continued)

**OTHER PUBLICATIONS**

Ear Hook earbud deals, Curry website 2022, site visited Jul. 12, 2022, [https://www.currys.co.uk/tv-and-audio/headphones/headphones/ear-hook-headphones.\\*](https://www.currys.co.uk/tv-and-audio/headphones/headphones/ear-hook-headphones.*)

*Primary Examiner* — John R Yeh

(74) *Attorney, Agent, or Firm* — Jeenam Park

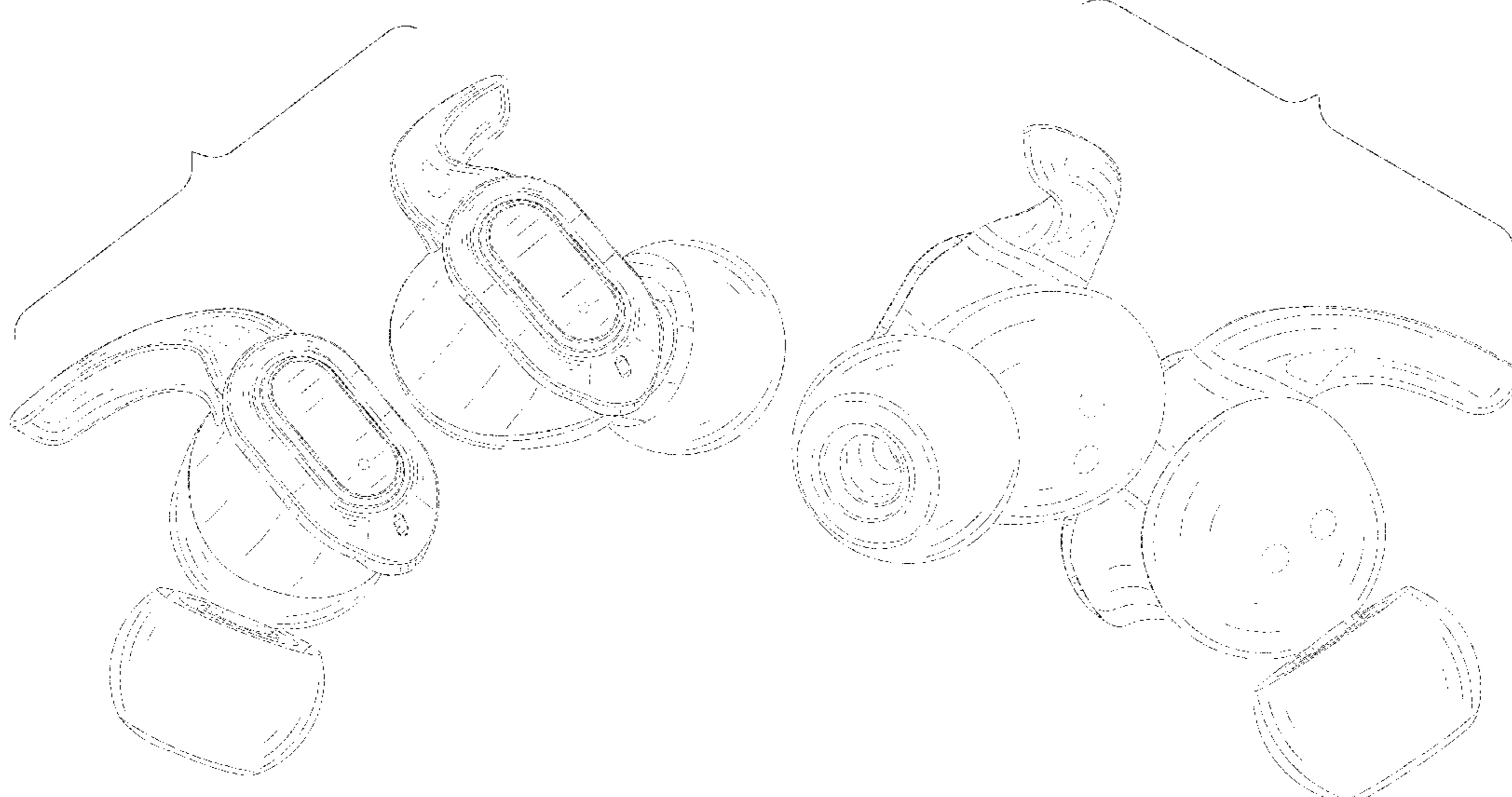
(57) **CLAIM**

The ornamental design for a set of earphones, as shown and described.

**DESCRIPTION**

FIG. 1 is a front perspective view of my design for a set of earphones;  
FIG. 2 is a rear perspective view thereof;  
FIG. 3 is a front view thereof;  
FIG. 4 is a rear view thereof;  
FIG. 5 is a left side view thereof;  
FIG. 6 is a right side view thereof;  
FIG. 7 is a top view thereof; and,  
FIG. 8 is a bottom view thereof.  
The broken lines depict portions of the set of earphones that form no part of the claimed design.

**1 Claim, 8 Drawing Sheets**



(56)

**References Cited**

U.S. PATENT DOCUMENTS

2019/0231197 A1 \* 8/2019 Kirszenblat ..... H04R 1/1016

FOREIGN PATENT DOCUMENTS

CN 307034583 \* 12/2021

FR 3020737 A1 \* 11/2015 ..... G10K 11/22

\* cited by examiner

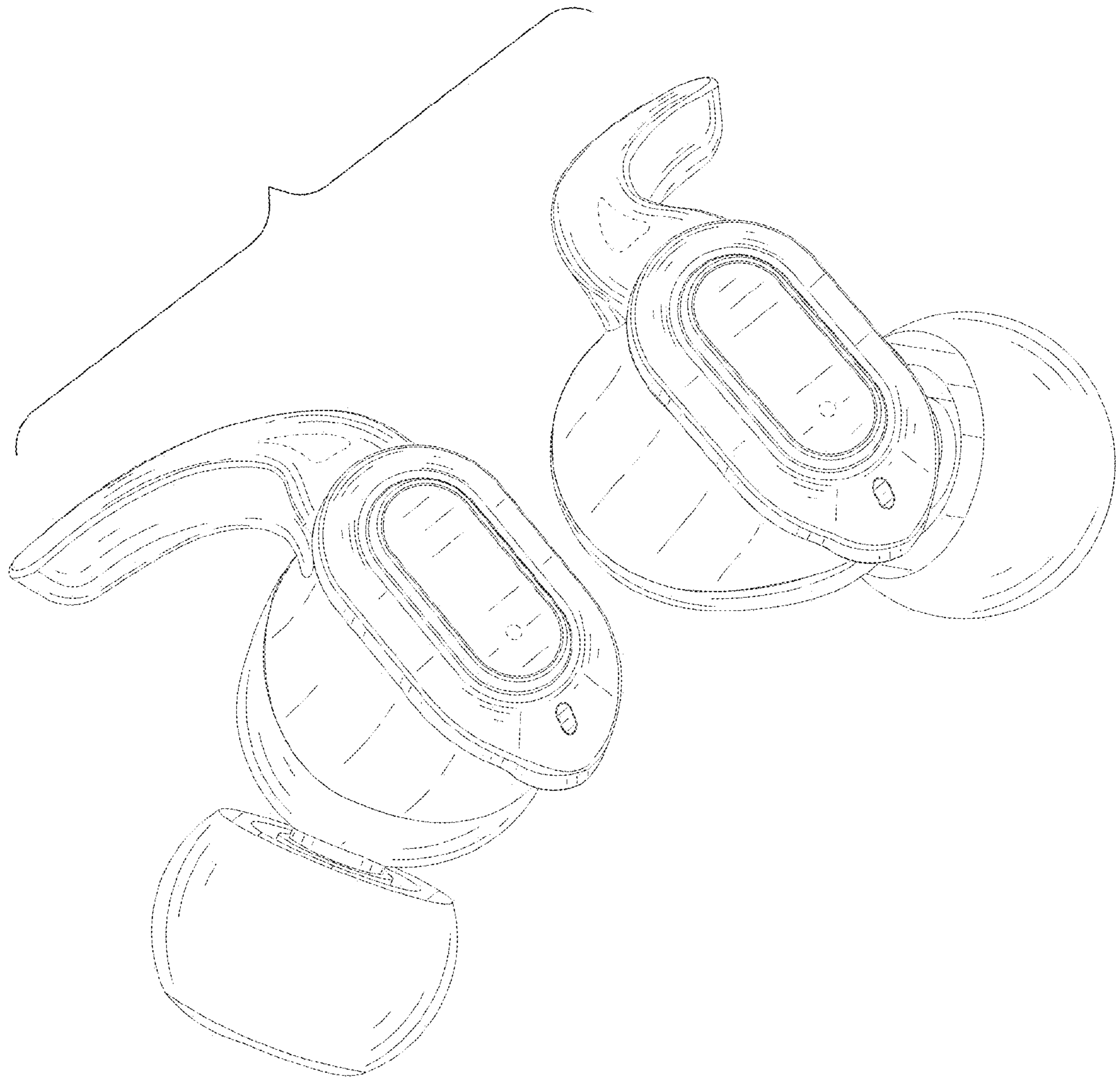


FIG. 1

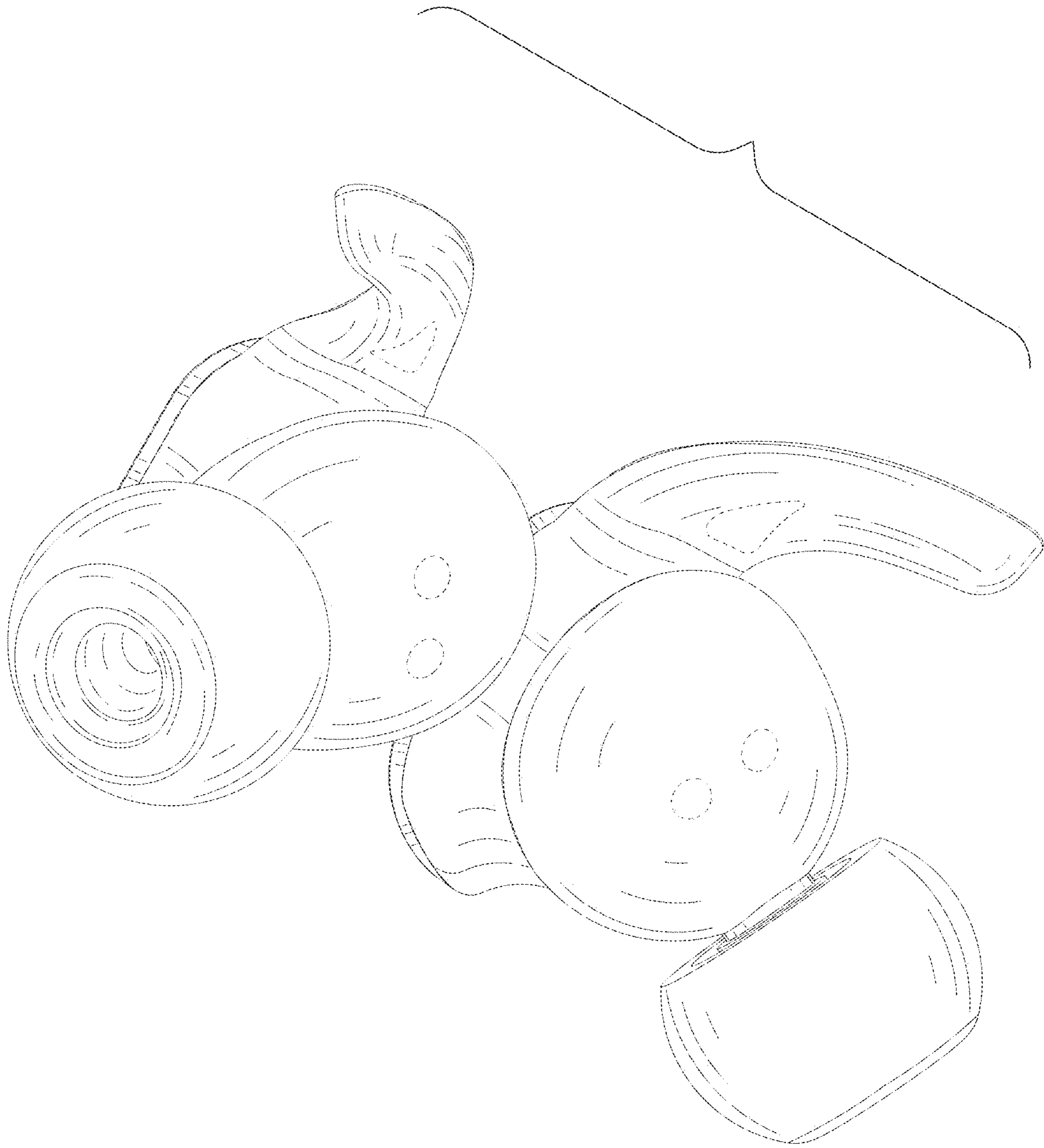


FIG. 2



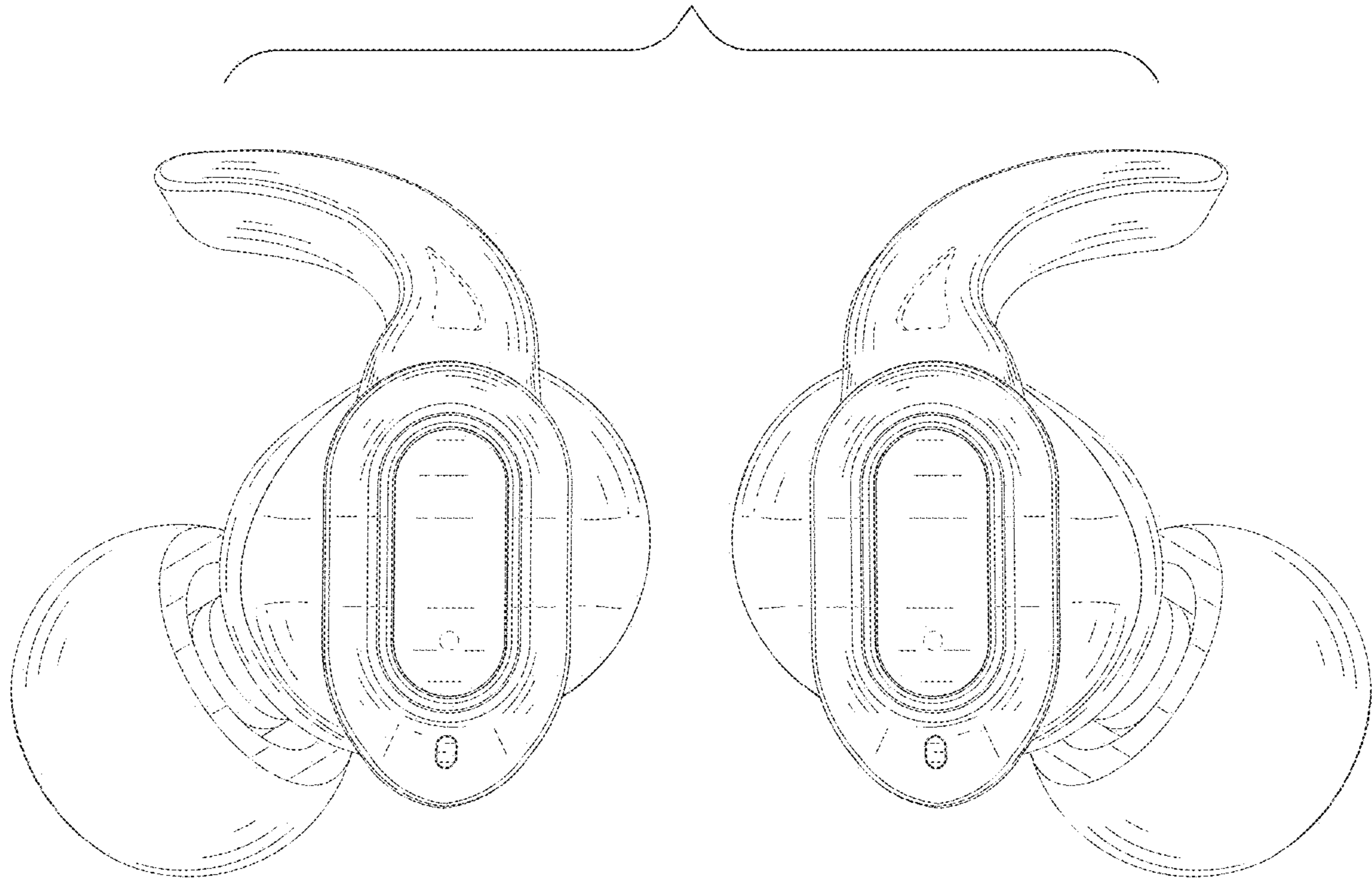


FIG. 3

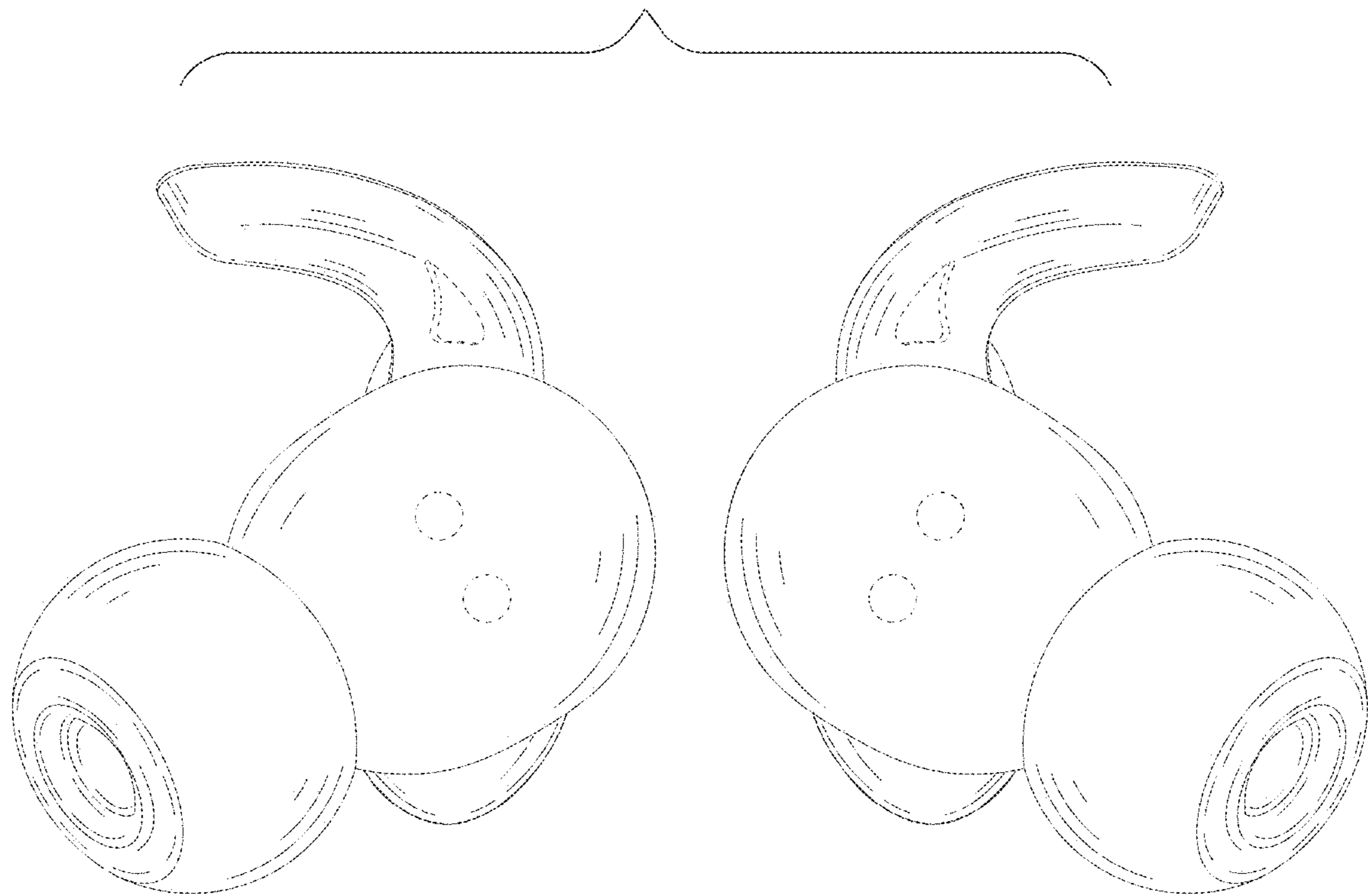


FIG. 4

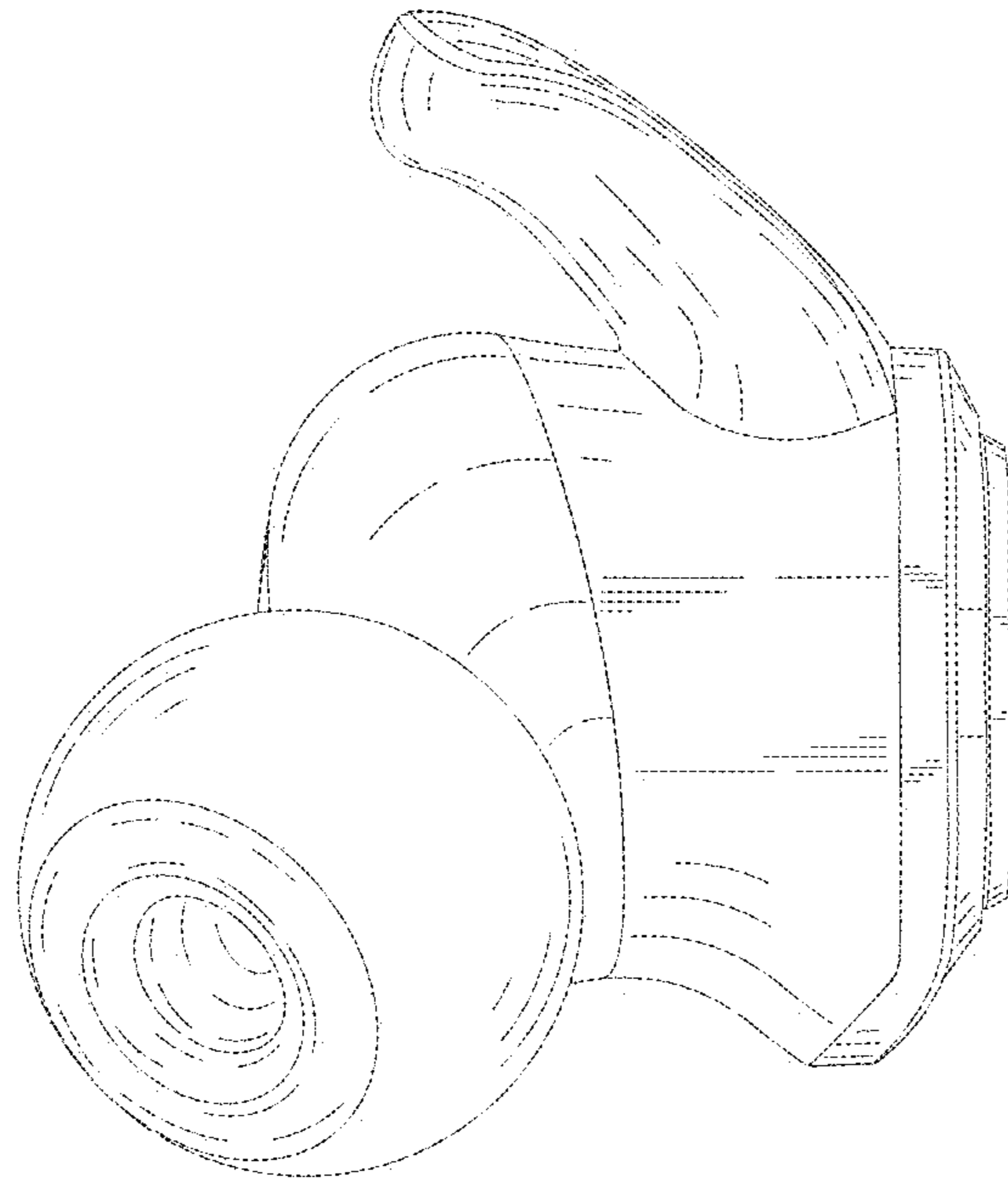


FIG. 5

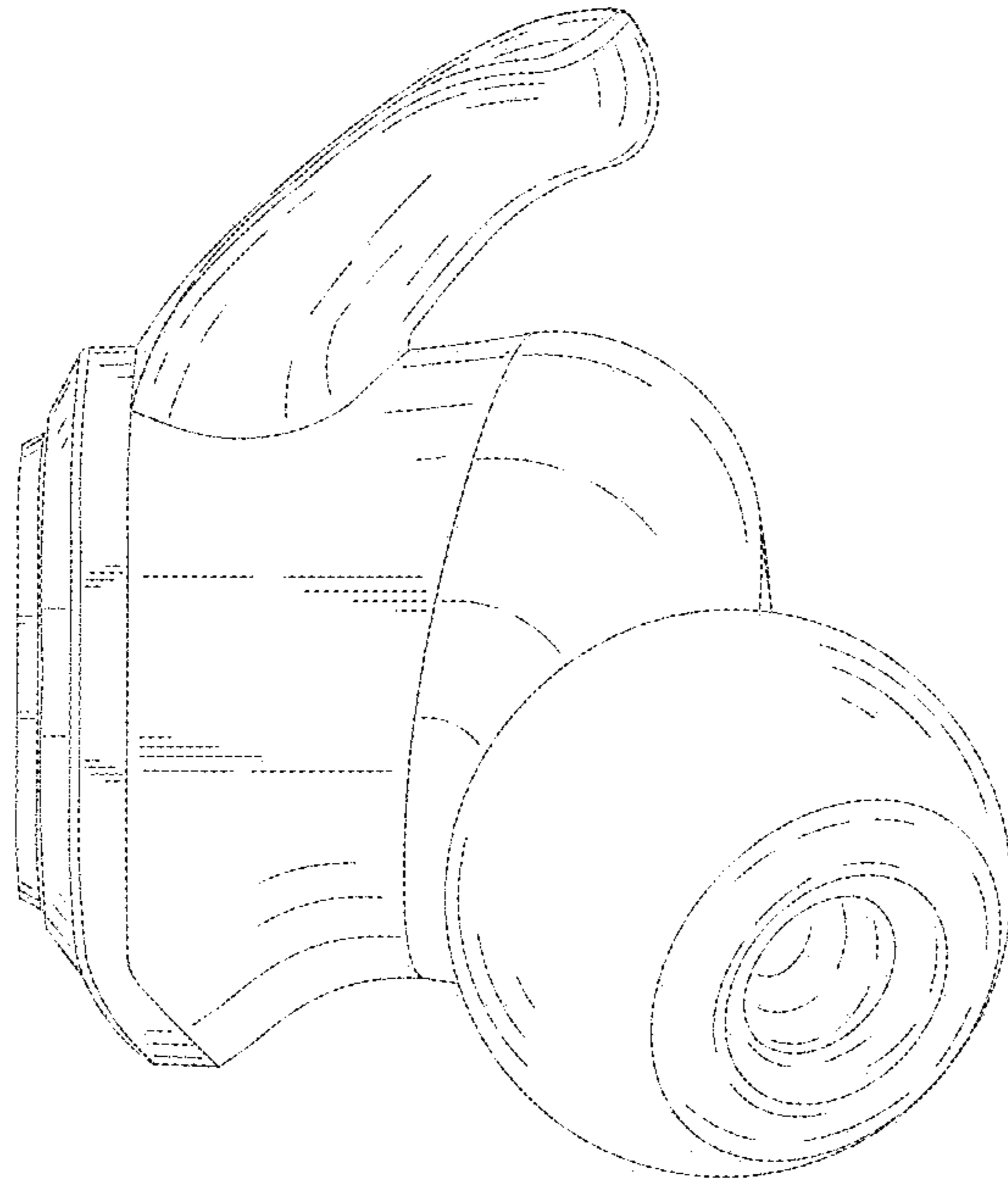


FIG. 6



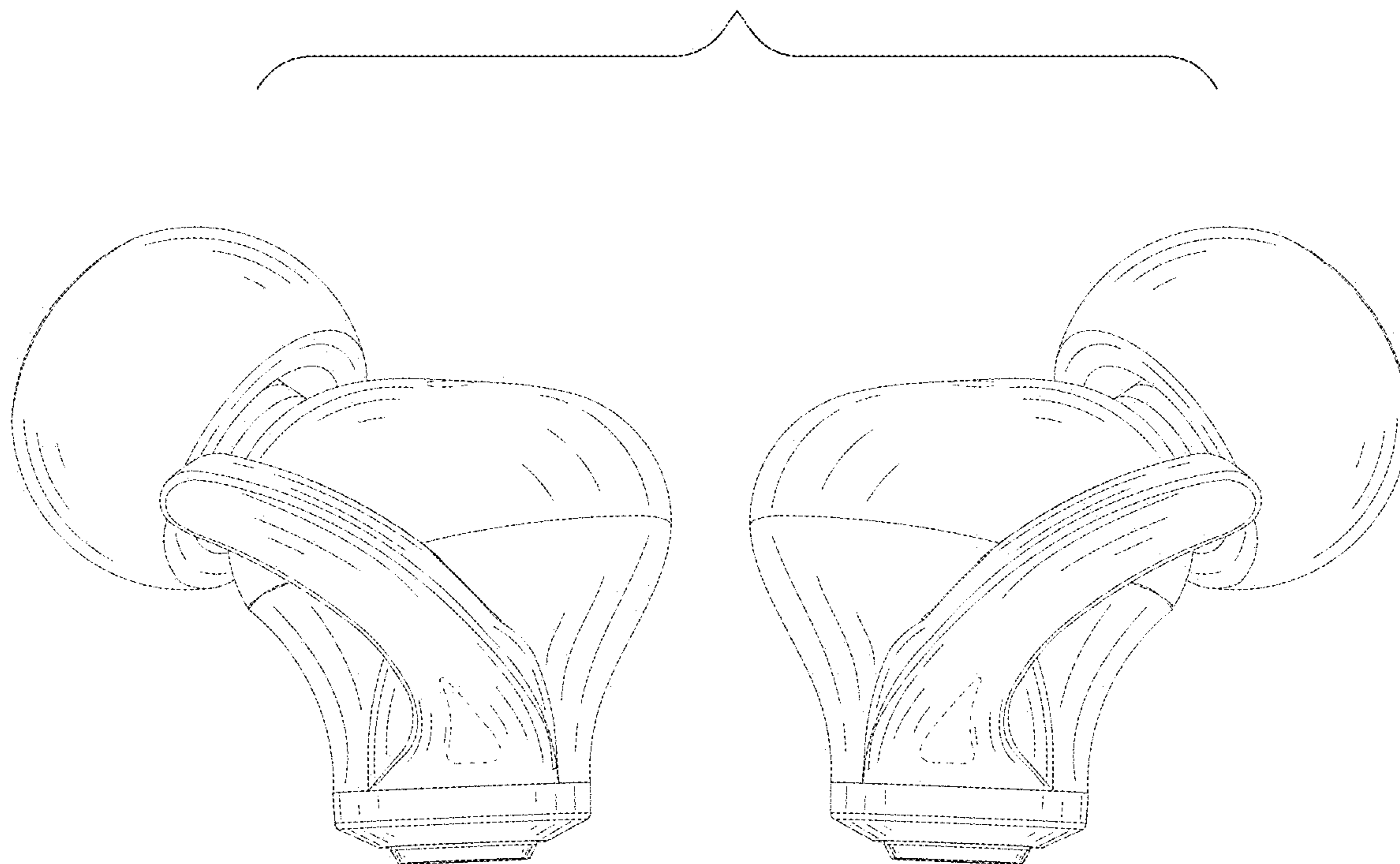


FIG. 7

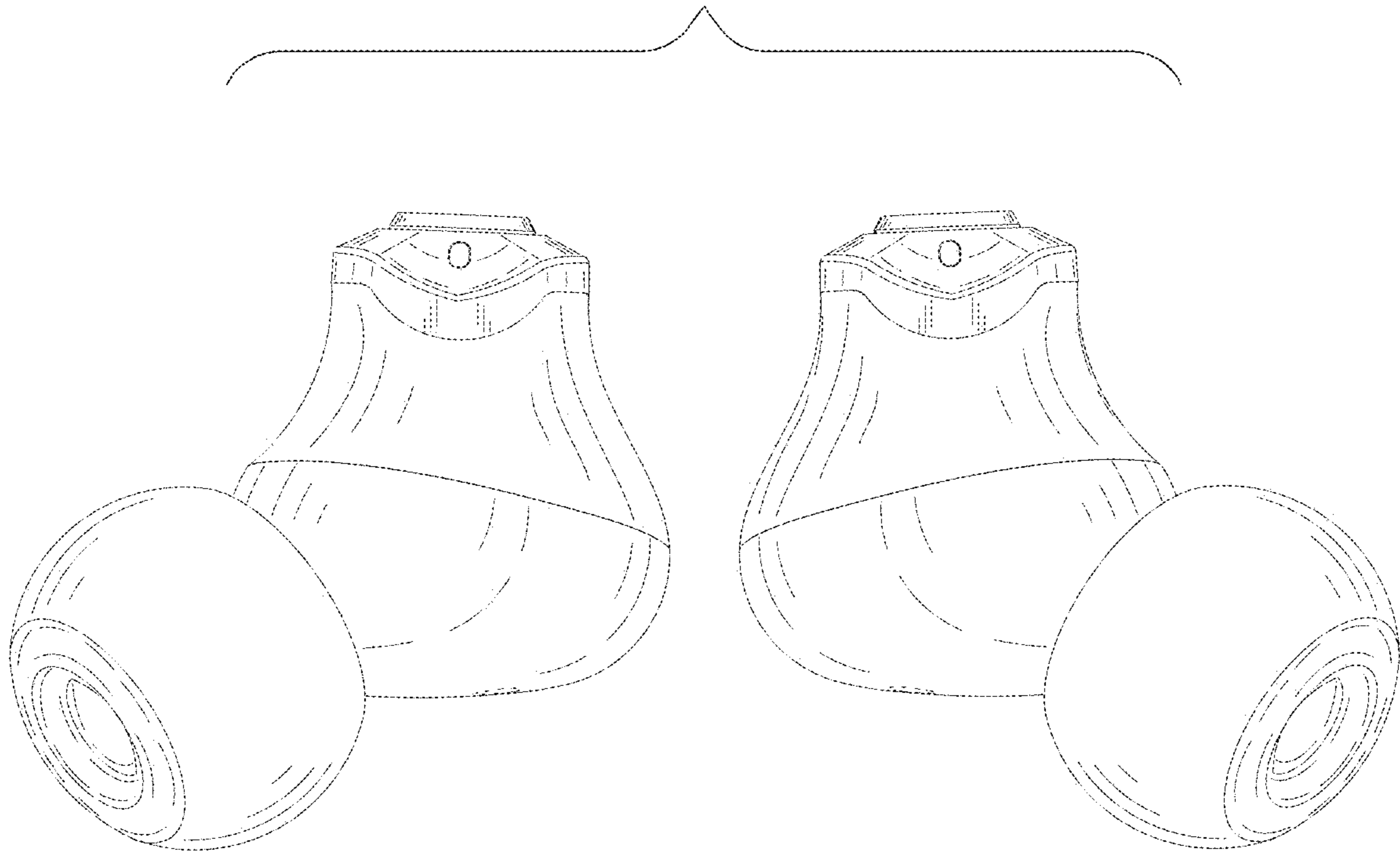


FIG. 8