



US00D967069S

(12) **United States Design Patent**
Zhu

(10) **Patent No.:** **US D967,069 S**

(45) **Date of Patent:** **** Oct. 18, 2022**

- (54) **EARPHONE**
- (71) Applicant: **Zibo Zhu**, Rucheng County (CN)
- (72) Inventor: **Zibo Zhu**, Rucheng County (CN)
- (**) Term: **15 Years**
- (21) Appl. No.: **29/764,941**
- (22) Filed: **Jan. 5, 2021**
- (51) **LOC (13) Cl.** **14-01**
- (52) **U.S. Cl.**
USPC **D14/223**
- (58) **Field of Classification Search**
USPC ... D14/205, 207, 217, 221, 223, 224, 224.1,
D14/225; D24/173, 174
CPC H04R 1/10; H04R 1/1016; H04R 1/1066;
H04R 1/105; H04R 1/1033; H04R 1/08;
H04R 5/033; H04R 5/0335; H04R 25/00
See application file for complete search history.

(56) **References Cited**

U.S. PATENT DOCUMENTS

- D554,109 S * 10/2007 Ledbetter D14/223
- D572,703 S 7/2008 Ledbetter et al.
- D586,333 S 2/2009 Tkachuk
- D591,721 S 5/2009 Densho
- D621,389 S 8/2010 Nagayama et al.
- D686,597 S 7/2013 Lee et al.
- D780,162 S 2/2017 Kwak et al.
- D802,562 S 11/2017 Baba
- D813,206 S 3/2018 Tang et al.
- D830,345 S * 10/2018 Cai D14/223
- D864,918 S 10/2019 Liu
- D869,445 S * 12/2019 Hu D14/223
- D870,694 S 12/2019 Morimoto
- D881,169 S 4/2020 Renwick
- D885,373 S * 5/2020 Lundback D14/223
- D889,437 S * 7/2020 Ando D14/223
- D889,438 S 7/2020 Arimoto
- D889,439 S * 7/2020 Hsieh D14/223
- D889,440 S * 7/2020 Yan D14/223
- D894,875 S * 9/2020 Zhao D14/223
- D895,582 S * 9/2020 Wu D14/223
- D900,065 S * 10/2020 Distefano D14/223
- D901,454 S 11/2020 Jacobs et al.
- D901,457 S * 11/2020 Zhang D14/223

D903,639 S * 12/2020 Yang D14/223
(Continued)

FOREIGN PATENT DOCUMENTS

- CN 306695465 * 7/2021
 - CN 306721757 * 7/2021
 - CN 306738323 * 8/2021
 - CN 306745894 * 8/2021
- (Continued)

OTHER PUBLICATIONS

2021 Earphones SMS T15 Round Case True Wireless Earbuds with LED Display, announced © 2004-2021 [online], retrieved Aug. 25, 2021, retrieved from internet, <https://www.dhgate.com/product/2020-new-arrival-hot-sale-earbuds-sms-t15/582019467.html>.*

(Continued)

Primary Examiner — Messina L Smith
(74) *Attorney, Agent, or Firm* — Xiaofang Zhong; Law Office of Xiaofang Zhong, PLLC

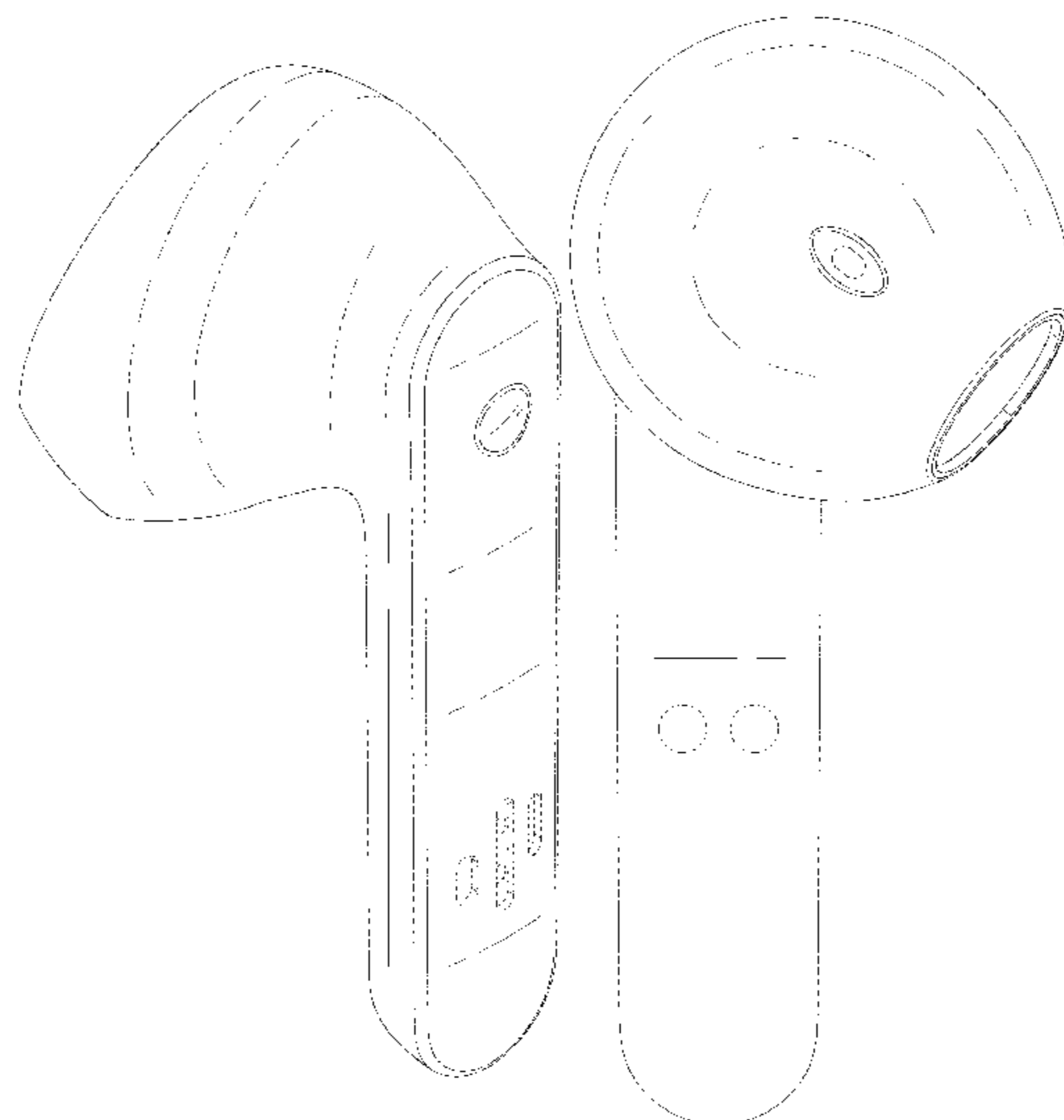
(57) **CLAIM**

The ornamental design for an earphone, as shown and described.

DESCRIPTION

FIG. 1 is a perspective view of an earphone showing my new design;
 FIG. 2 is a front elevational view thereof;
 FIG. 3 is a back elevational view thereof;
 FIG. 4 is a right-side elevational view thereof;
 FIG. 5 is a left-side elevational view thereof;
 FIG. 6 is a top plan view thereof;
 FIG. 7 is a bottom plan view thereof; and,
 FIG. 8 is a perspective view of the earphone shown with a second earphone and case.
 The broken line showing of the earphone and case in FIG. 8 depicts environment and forms no part of the claimed design. All other broken lines depict portions of the earphone that form no part of the claimed design.

1 Claim, 8 Drawing Sheets



(56)

References Cited

U.S. PATENT DOCUMENTS

D904,347 S	12/2020	Yamamoto et al.	
D905,017 S *	12/2020	Chen	D14/223
D910,601 S *	2/2021	Hu	D14/223
D912,017 S *	3/2021	Chen	D14/223
D914,652 S *	3/2021	Chen	D14/223
D915,355 S *	4/2021	Xiang	D14/223
D916,684 S *	4/2021	Fang	D14/223
D918,179 S *	5/2021	Zhao	D14/223
D920,291 S *	5/2021	Hou	D14/223
D920,957 S *	6/2021	Zheng	D14/209.1
D921,615 S *	6/2021	Wu	D14/223
D923,609 S *	6/2021	Li	D14/223
D924,851 S *	7/2021	Li	D14/223
D925,500 S *	7/2021	Chen	D14/223
D928,126 S *	8/2021	Chen	D14/223

FOREIGN PATENT DOCUMENTS

CN	306760735	*	8/2021
CN	306768878	*	8/2021

OTHER PUBLICATIONS

Wireless Earbuds So Good, You Wouldn't Believe These Cost Around Rs 3,799, announced Jul. 12, 2020 [online], retrieved Aug. 25, 2021, retrieved from internet, <https://www.news18.com/news/tech/oppo-enco-w31-review-wireless-earbuds-so-good-you-wouldnt-believe-these-cost-around-rs-3799-2712325.html>.*

Mi True Wireless Earphones 2 Basic User Manual, announced Jan. 28, 2021 [online], retrieved Aug. 25, 2021, retrieved from internet, <https://manuals.plus/xiaomi/mi-true-wireless-earphones-2-basic-manual>.*

Are Lidl's £25 Silvercrest 'true wireless' headphones any good?, announced Oct. 22, 2020 [online], retrieved Aug. 25, 2021, retrieved from internet, <https://www.which.co.uk/news/2020/10/are-lidls-25-silvercrest-true-wireless-headphones-any-good/>.*

JBL Tune 220TWS Wireless In-Ear Headphones, announced 2019 [online], retrieved Aug. 25, 2021, retrieved from internet, <https://www.sportchek.ca/categories/electronics/headphones-speakers/headphones/earbuds-in-ear/true-wireless/product/jbl-tune-220tws-wireless-in-ear-headphones-333275483.html>.*

Gabba Goods Truebuds Sonix True Wireless Earbuds Bluetooth 5.0, announced Aug. 9, 2021 [online], retrieved Aug. 25, 2021, retrieved from internet, https://www.amazon.com/Gabba-TRUEBUDS-Wireless-Earbuds-Bluetooth/dp/B09C777VYR/ref=sr_1_17_sspa?dchild=1&keywords=wireless+earbuds+case&qid=1629897967&sr=8-17-spons&psc=1&spLa=ZW5jcnlwdGVkUXVhbGlmaWVyPUEyM1I DMUIZU1UzUIIUJmVuY3J5cHRIZEIkPUEwMjQ1NzQ4MU4yM EpMREMwOU9ERyZlbnNyeXB0ZWRBZEIkPUEwNjQ4NjMyM zJQTUJXQVBDTFRZRIz3aWRnZXROYW1IPXNwX210ZiZhY 3Rpb249Y2xpY2tSZWRpcmVjdCZkb05vdExvZ0NsaWNrPX RydWU=.*

* cited by examiner

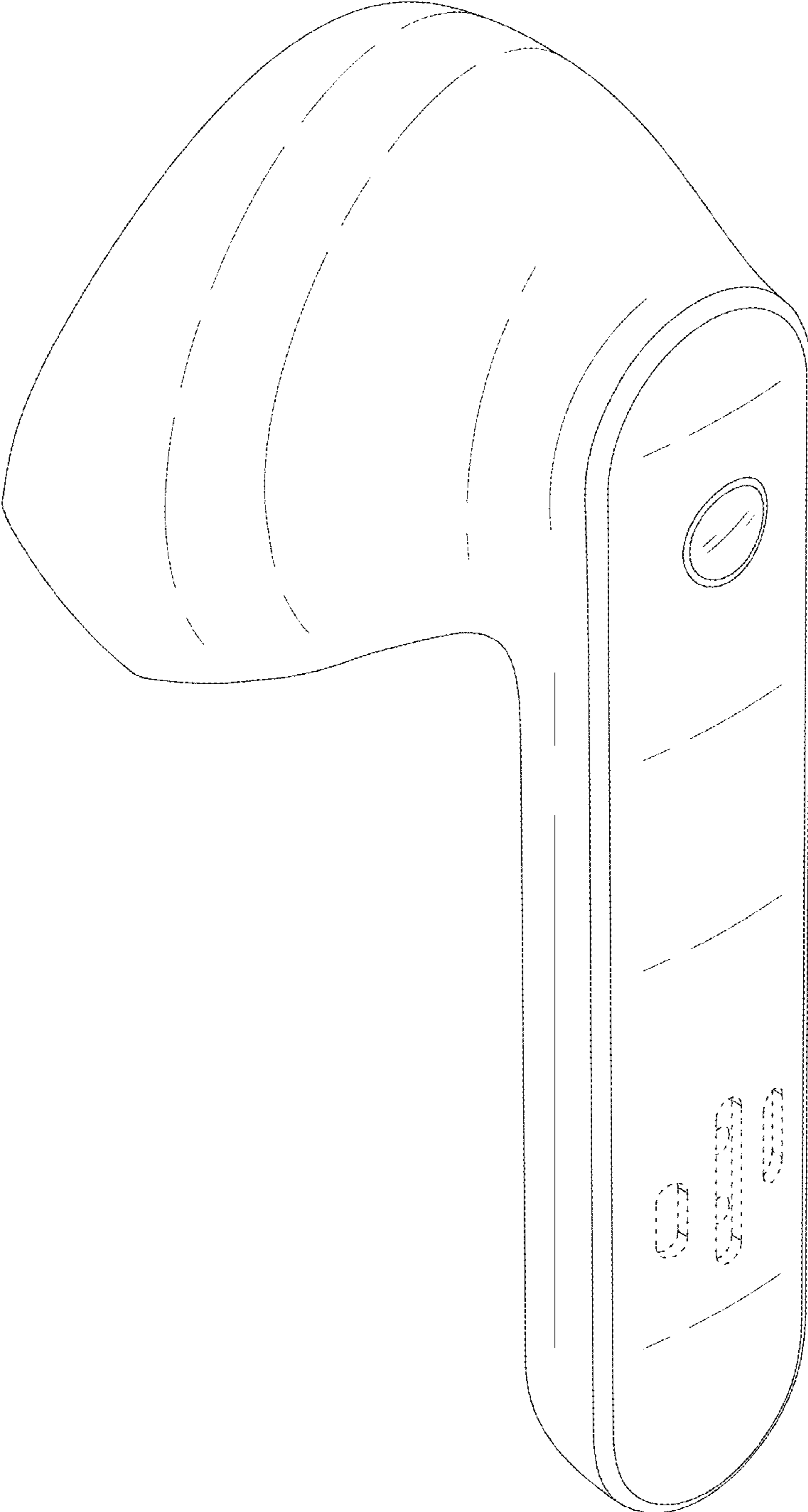


FIG. 1

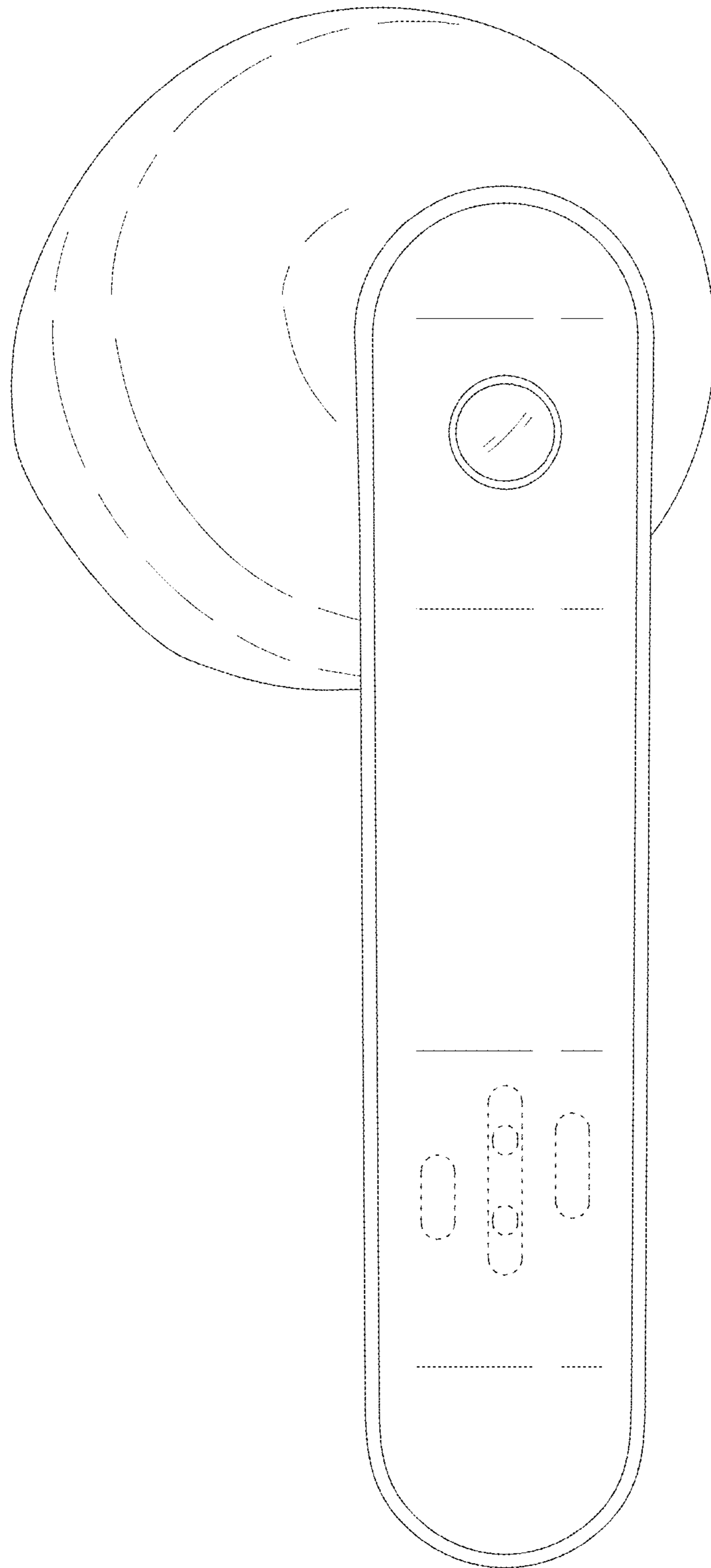


FIG. 2

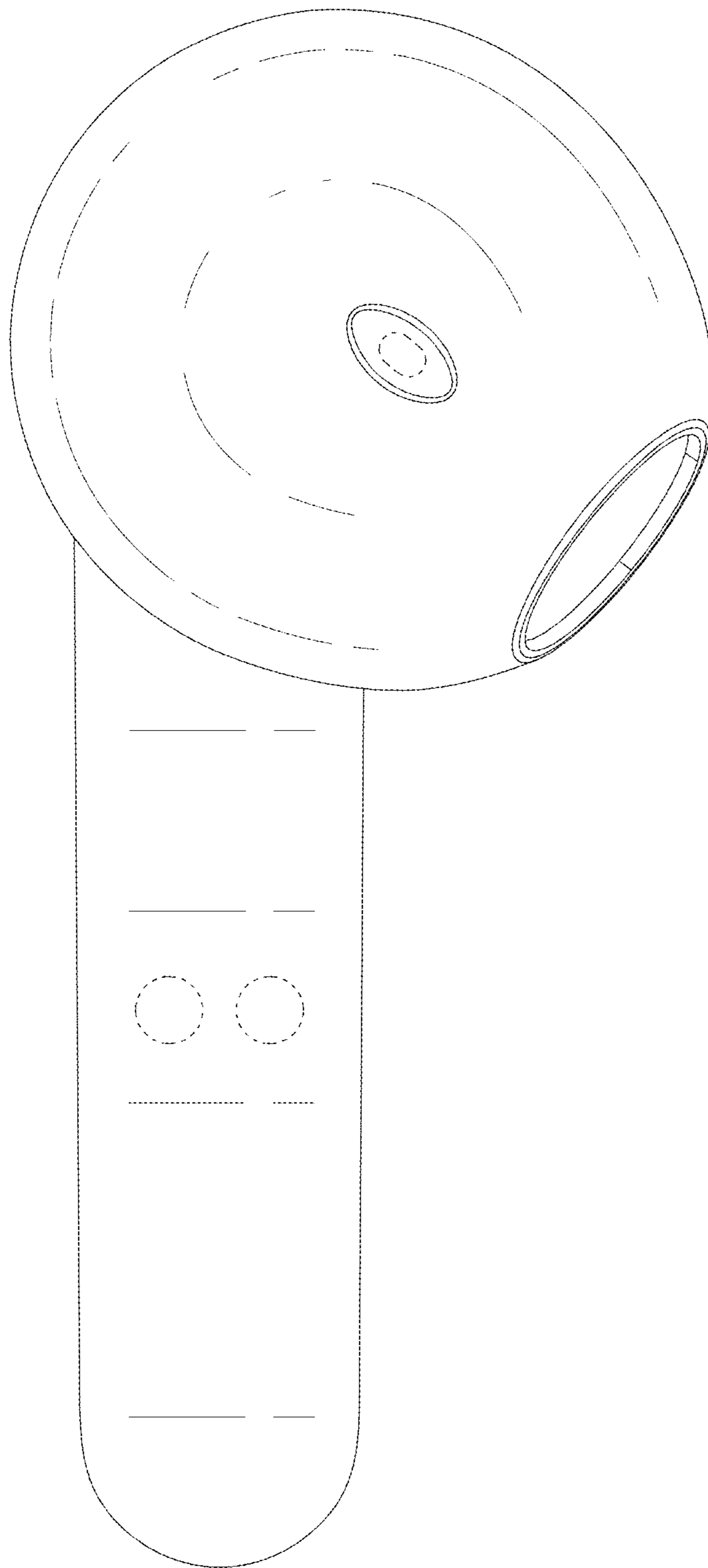


FIG. 3

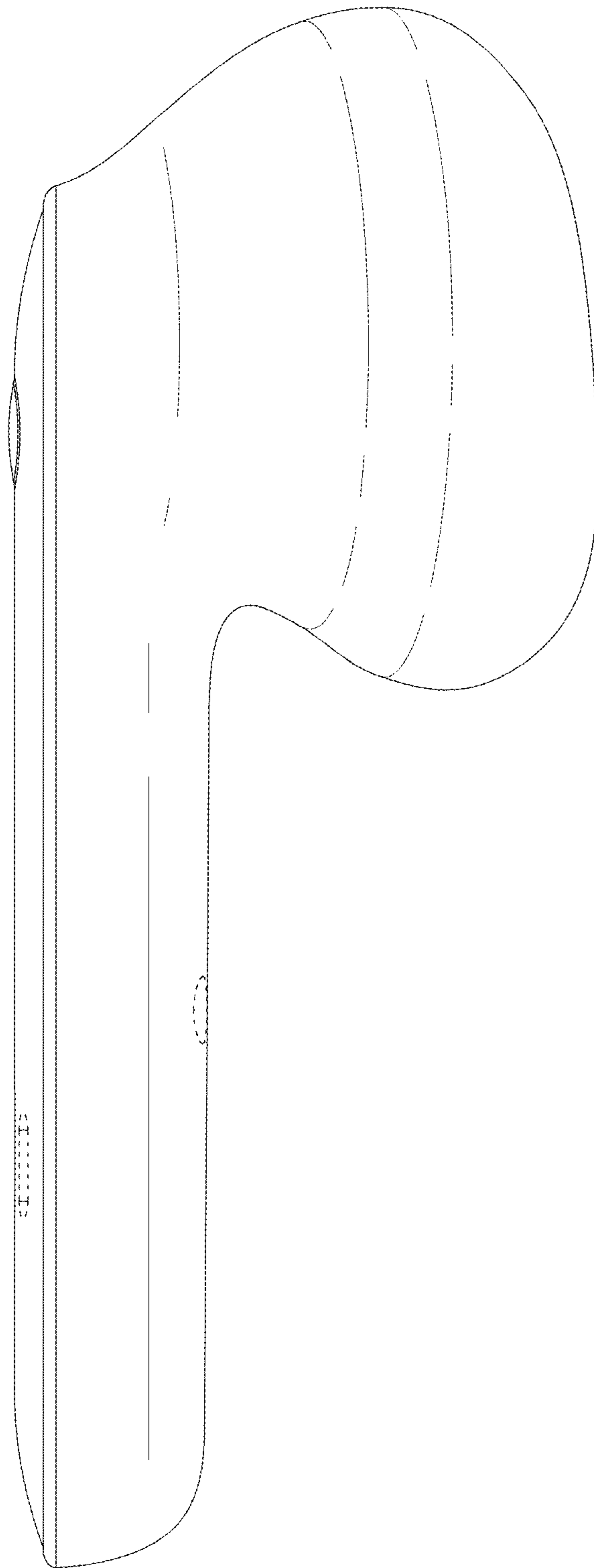


FIG. 4

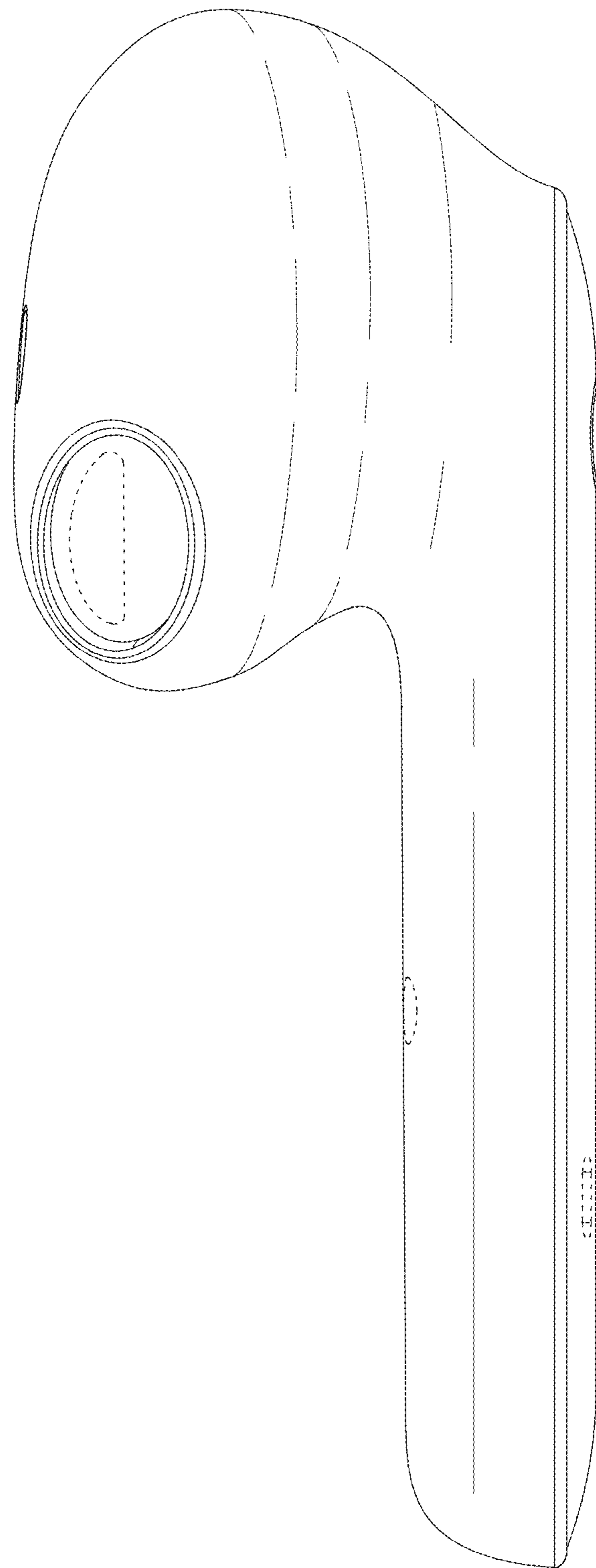


FIG. 5

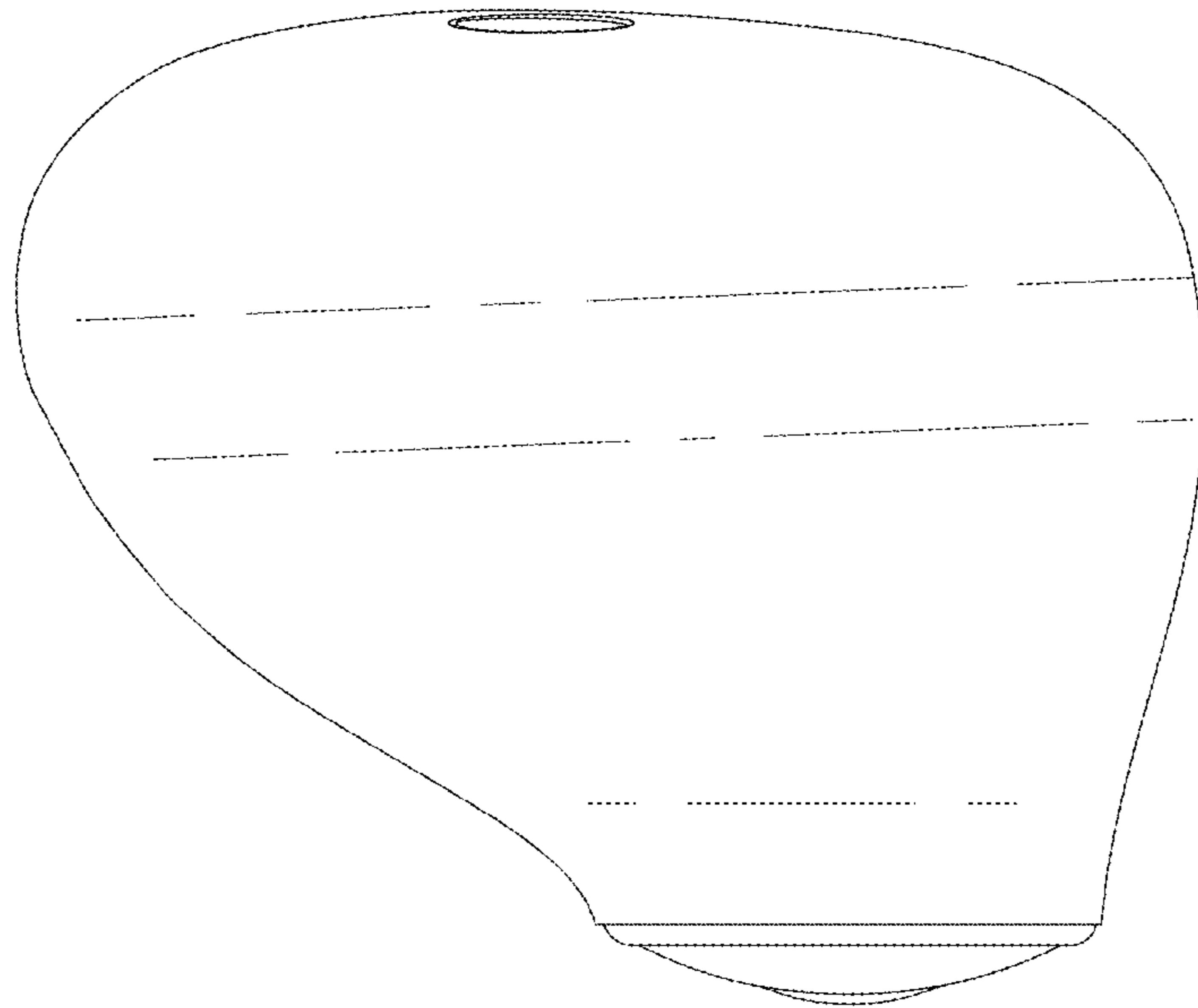


FIG. 6

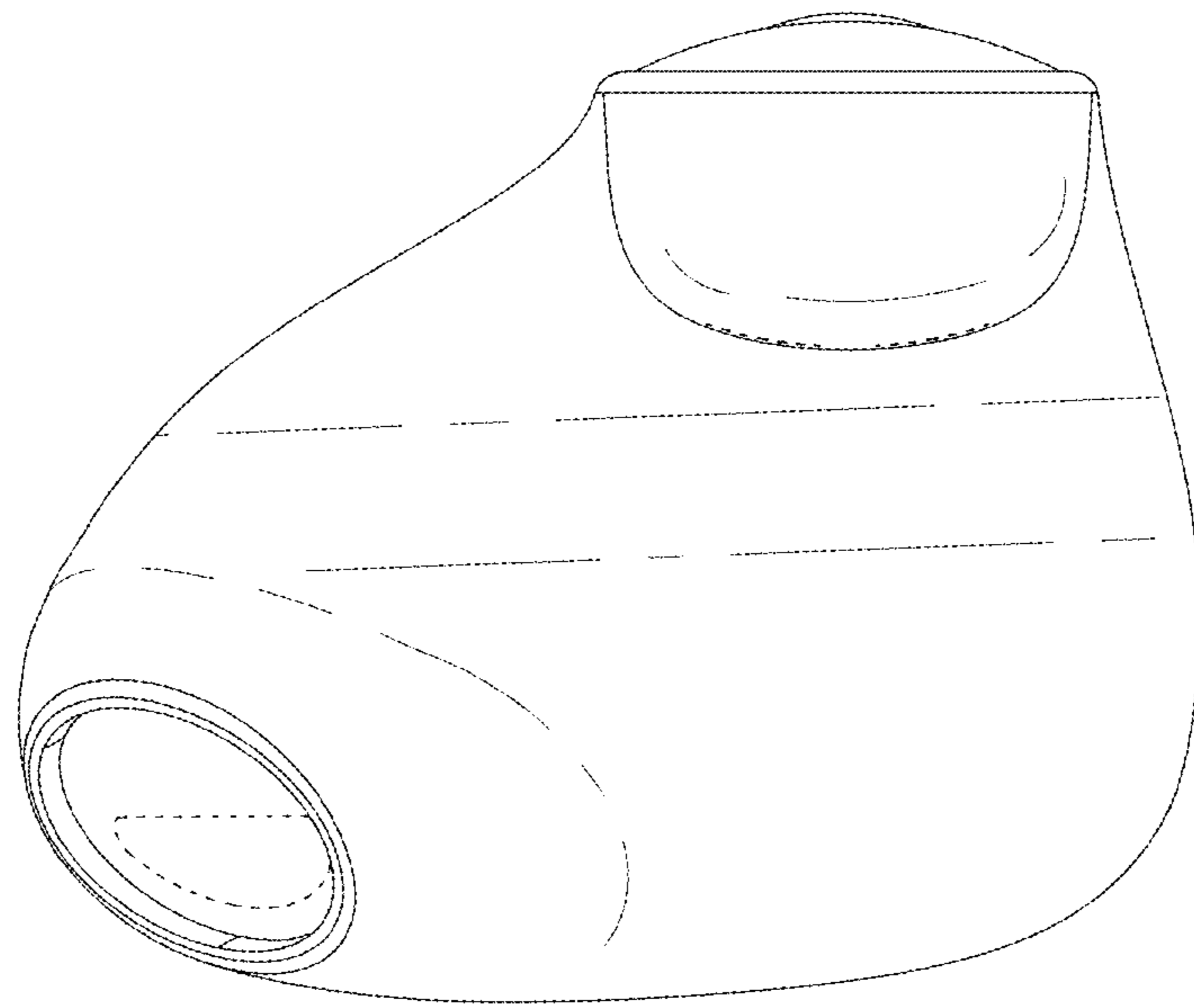


FIG. 7

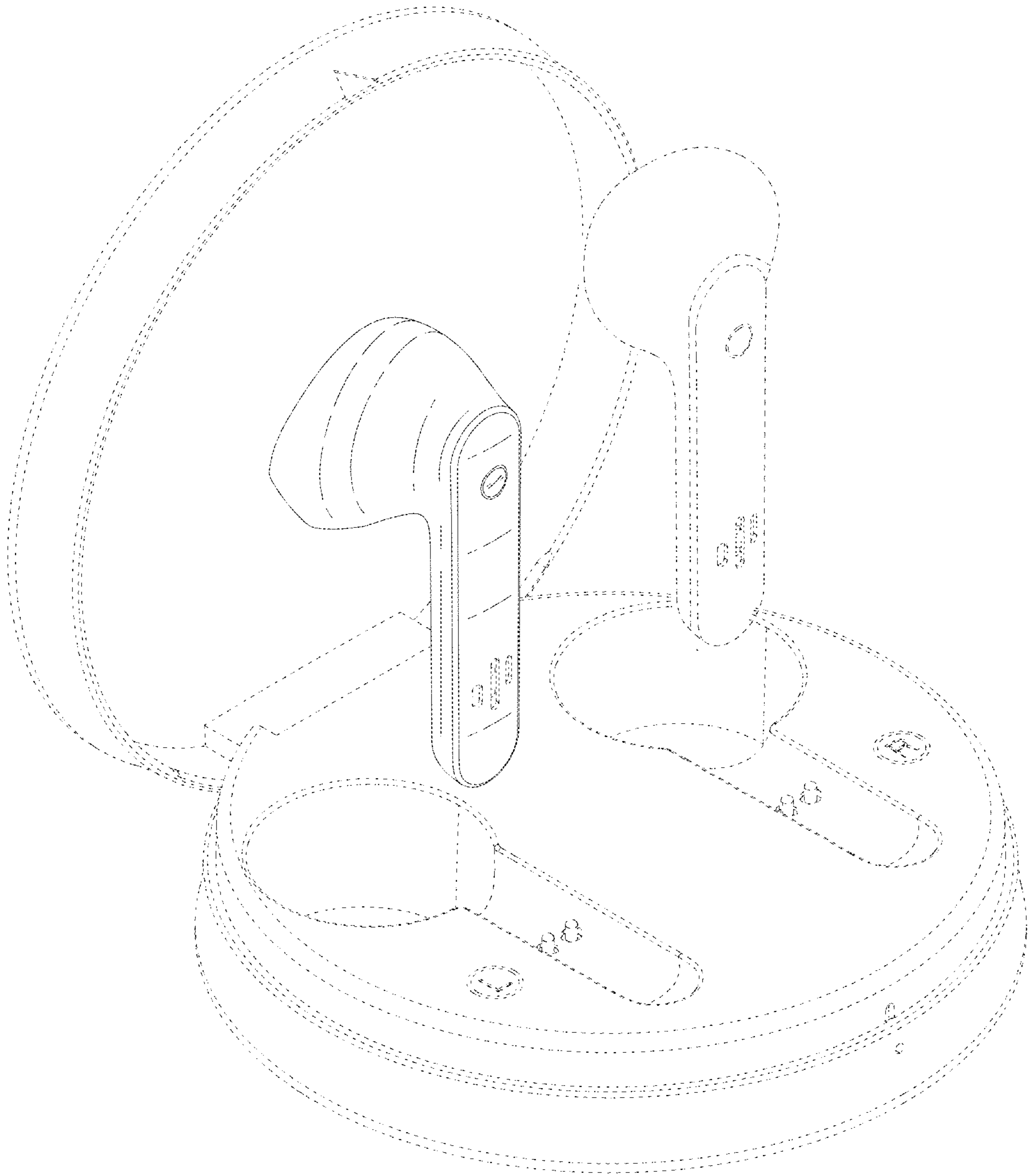


FIG. 8