



US00D967067S

(12) **United States Design Patent**  
**Cai et al.**

(10) **Patent No.:** **US D967,067 S**  
(45) **Date of Patent:** **\*\* Oct. 18, 2022**

(54) **WIRELESS EARBUDS**

(71) Applicant: **Endliss Technology, Inc.**, Hayward, CA (US)

(72) Inventors: **Sen Cai**, Hayward, CA (US);  
**Weiguang Huang**, Hayward, CA (US)

(73) Assignee: **Endliss Technology, Inc.**, Hayward, CA (US)

(\*\*) Term: **15 Years**

(21) Appl. No.: **29/736,738**

(22) Filed: **Jun. 2, 2020**

(51) **LOC (13) Cl.** ..... **14-01**

(52) **U.S. Cl.**  
USPC ..... **D14/223**

(58) **Field of Classification Search**  
USPC ... D14/205, 207, 217, 221, 223, 224, 224.1,  
D14/225; D24/173, 174  
(Continued)

(56) **References Cited**

**U.S. PATENT DOCUMENTS**

D626,117 S \* 10/2010 Lowry ..... D14/223  
D877,722 S \* 3/2020 Yang ..... D14/223  
(Continued)

**FOREIGN PATENT DOCUMENTS**

CN 306033139 \* 9/2020  
CN 306039906 \* 9/2020  
(Continued)

**OTHER PUBLICATIONS**

SuperX Bluetooth 5.0 Wireless Earbuds, announced Apr. 19, 2020 [online], retrieved Nov. 15, 2021, retrieved from internet, <https://www.amazon.com/gp/product/B087CBJM29?th=1&psc=1>.\*

(Continued)

*Primary Examiner* — Messina L Smith

(74) *Attorney, Agent, or Firm* — Bishop, Diehl & Lee, Ltd.

(57) **CLAIM**

The ornamental design for wireless earbuds, as shown and described.

**DESCRIPTION**

FIG. 1 is a rear perspective view of the right earbud of wireless earbuds showing the new design, shown separately to show aspects of the design that are not visible when combined;

FIG. 2 is a front perspective view of the right earbud of the wireless earbuds shown in FIG. 1;

FIG. 3 is a right side view of the right earbud of the wireless earbuds shown in FIG. 1;

FIG. 4 is a left side view of the right earbud of the wireless earbuds shown in FIG. 1;

FIG. 5 is a top view of the right earbud of the wireless earbuds shown in FIG. 1;

FIG. 6 is a bottom view of the right earbud of the wireless earbuds shown in FIG. 1;

FIG. 7 is a front view of the right earbud of the wireless earbuds shown in FIG. 1;

FIG. 8 is a rear view of the right earbud of the wireless earbuds shown in FIG. 1;

FIG. 9 is a rear perspective view of the left earbud of the wireless earbuds, shown separately to show aspects of the design that are not visible when combined;

FIG. 10 is a front perspective view of the left earbud of the wireless earbuds shown in FIG. 9;

FIG. 11 is a left side view of the left earbud of the wireless earbuds shown in FIG. 9;

FIG. 12 is a right side view of the left earbud of the wireless earbuds shown in FIG. 9;

FIG. 13 is a top view of the left earbud of the wireless earbuds shown in FIG. 9;

FIG. 14 is a bottom view of the left earbud of the wireless earbuds shown in FIG. 9;

FIG. 15 is a front view of the left earbud of the wireless earbuds shown in FIG. 9; and,

(Continued)

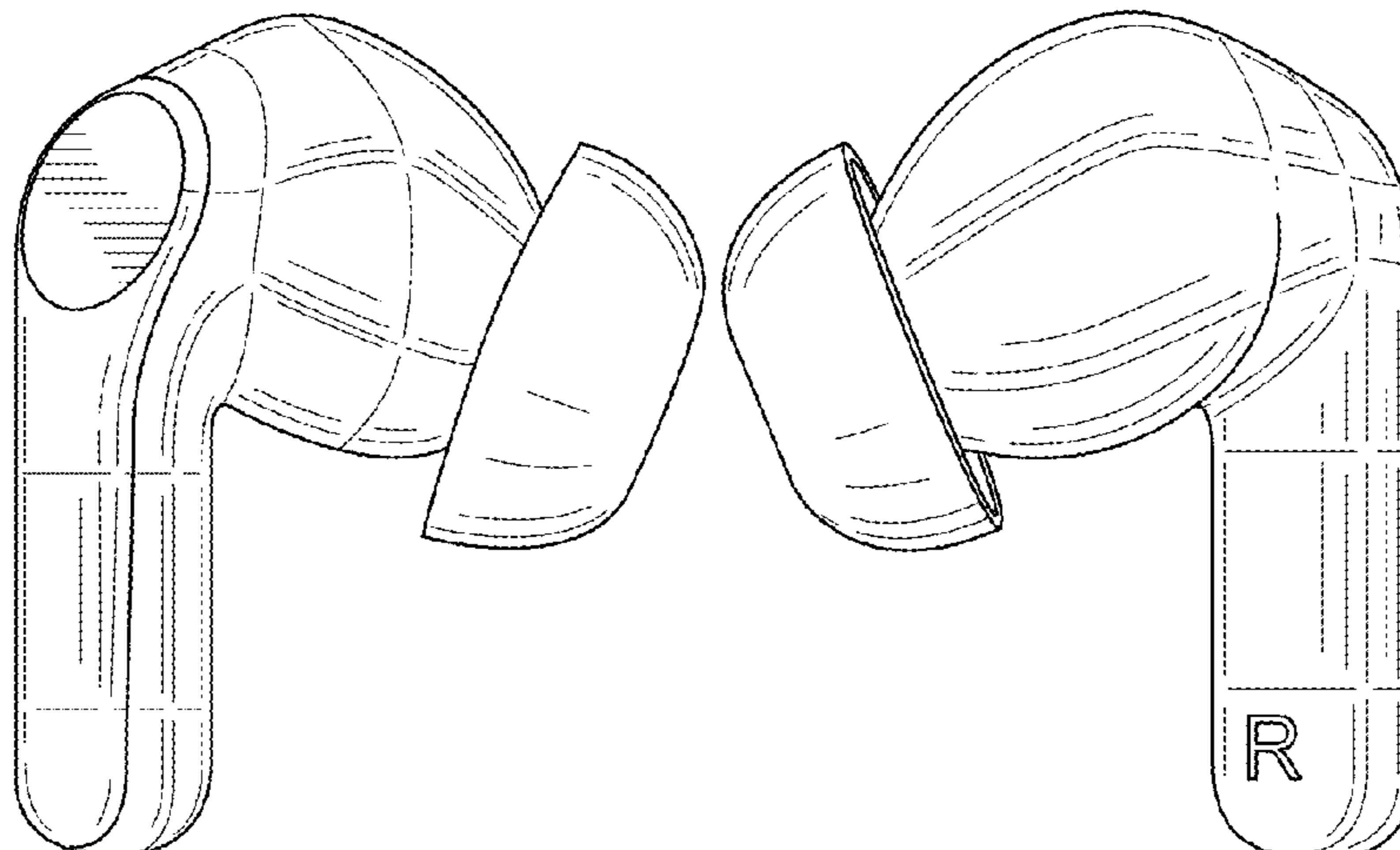


FIG. 16 is a rear view of the left earbud of the wireless earbuds shown in FIG. 9.

**1 Claim, 8 Drawing Sheets**

**(58) Field of Classification Search**

CPC ..... H04R 1/10; H04R 1/1016; H04R 1/1066;  
H04R 1/105; H04R 1/1033; H04R 1/08;  
H04R 5/033; H04R 5/0335; H04R 25/00  
See application file for complete search history.

**(56) References Cited**

**U.S. PATENT DOCUMENTS**

D882,553	S	*	4/2020	Wu	.....	D14/223
D888,690	S	*	6/2020	Yan	.....	D14/223
D890,724	S	*	7/2020	Li	.....	D14/223
D896,207	S	*	9/2020	He	.....	D14/223
D908,114	S	*	1/2021	Jung	.....	D14/223
D908,665	S	*	1/2021	Wen	.....	D14/223
D910,600	S	*	2/2021	Zhang	.....	D14/223
D912,011	S	*	3/2021	Zhao	.....	D14/205
D914,644	S	*	3/2021	Zhu	.....	D14/223
D916,058	S	*	4/2021	Wu	.....	D14/223
D916,685	S	*	4/2021	Fang	.....	D14/223
D918,182	S	*	5/2021	Chen	.....	D14/223
D920,293	S	*	5/2021	Chen	.....	D14/223
D921,615	S	*	6/2021	Wu	.....	D14/223
D924,209	S	*	7/2021	Wu	.....	D14/223
D924,851	S	*	7/2021	Li	.....	D14/223
D924,852	S	*	7/2021	Liu	.....	D14/223
D925,498	S	*	7/2021	Lin	.....	D14/223
D925,499	S	*	7/2021	Xie	.....	D14/223
D925,500	S	*	7/2021	Chen	.....	D14/223
D926,733	S	*	8/2021	Wu	.....	D14/223
D928,126	S	*	8/2021	Chen	.....	D14/223
D931,258	S	*	9/2021	Ding	.....	D14/223

**FOREIGN PATENT DOCUMENTS**

CN	306039964	*	9/2020
CN	306046688	*	9/2020
CN	306085531	*	10/2020
JP	D1667779	*	8/2020

**OTHER PUBLICATIONS**

BCS-T90 | EXFIT True Wireless Earbuds with Bluetooth 5.0, Charging Case, announced May 20, 2019 [online], retrieved Nov. 15, 2021, retrieved from internet, [https://www.amazon.com/dp/B07P61RR6P?pd\\_rd\\_i=B07P61RR6P&pd\\_rd\\_w=AdG5l&pf\\_rd\\_p=7ea8e9d0-fed1-49e8-a002-f2d3f5cb151d&pd\\_rd\\_wg=4fKq8&pf\\_rd\\_r=0YF4NZCW5821GQ8E823D&pd\\_rd\\_r=49fae775-cdbe-49df-a632-c1d73a14eec4](https://www.amazon.com/dp/B07P61RR6P?pd_rd_i=B07P61RR6P&pd_rd_w=AdG5l&pf_rd_p=7ea8e9d0-fed1-49e8-a002-f2d3f5cb151d&pd_rd_wg=4fKq8&pf_rd_r=0YF4NZCW5821GQ8E823D&pd_rd_r=49fae775-cdbe-49df-a632-c1d73a14eec4).\*

Clear Wireless Earbuds with Immersive Sounds True 5.0 Bluetooth in-Ear Headphones, announced Nov. 2, 2019 [online], retrieved Nov. 15, 2021, retrieved from internet, [https://www.amazon.com/XClear-Headphones-Quick-Pairing-Microphones-Sweatproof/dp/B07ZWJR9GD/ref=sr\\_1\\_12?crd=2P38RDUF6GQ59&dchild=1&keywords=superox+earbuds&qid=1632511788&sprefix=SuperX+e%2Caps%2C208&sr=8-12](https://www.amazon.com/XClear-Headphones-Quick-Pairing-Microphones-Sweatproof/dp/B07ZWJR9GD/ref=sr_1_12?crd=2P38RDUF6GQ59&dchild=1&keywords=superox+earbuds&qid=1632511788&sprefix=SuperX+e%2Caps%2C208&sr=8-12).\*

Picun W20 Pink Wireless Headphones In-Ear, announced Jun. 19, 2020 [online], retrieved Nov. 15, 2021, retrieved from internet, [https://www.amazon.com/dp/B08BHP75M8/ref=sspa\\_dk\\_detail\\_4?psc=1&pd\\_rd\\_i=B08BHP75M8&pd\\_rd\\_w=1wG03&pf\\_rd\\_p=54ed5474-54a8-4c7f-a88a-45f748d18166&pd\\_rd\\_wg=DrP0Q&pf\\_rd\\_r=ZYGvQSP3YDE6MSTETKE1&pd\\_rd\\_r=e3c815ef-d67c-40f7-9462-a5af20b4b512&spLa=ZW5jcnlwdGVkUXVhbGlmaWVyPU E2Qk1GS1RLNEdNqyZlbnNyeXB0ZWZWRJZD1BMdIxNjc1OEp VNEdeV1BPukZNSiZlbnNyeXB0ZWZWRBZEIkPUEwMTQ2ODY xMkxVUTIRSEw0VIFMMyZ3aWRnZXROYW1IPXNwX2RldGF pbF90aGVtYXRpYyZhY3Rpb249Y2xpY2tSZWRpcmVjdCZkb05 vdExvZ0NsaWNrPXRydWU](https://www.amazon.com/dp/B08BHP75M8/ref=sspa_dk_detail_4?psc=1&pd_rd_i=B08BHP75M8&pd_rd_w=1wG03&pf_rd_p=54ed5474-54a8-4c7f-a88a-45f748d18166&pd_rd_wg=DrP0Q&pf_rd_r=ZYGvQSP3YDE6MSTETKE1&pd_rd_r=e3c815ef-d67c-40f7-9462-a5af20b4b512&spLa=ZW5jcnlwdGVkUXVhbGlmaWVyPU E2Qk1GS1RLNEdNqyZlbnNyeXB0ZWZWRJZD1BMdIxNjc1OEp VNEdeV1BPukZNSiZlbnNyeXB0ZWZWRBZEIkPUEwMTQ2ODY xMkxVUTIRSEw0VIFMMyZ3aWRnZXROYW1IPXNwX2RldGF pbF90aGVtYXRpYyZhY3Rpb249Y2xpY2tSZWRpcmVjdCZkb05 vdExvZ0NsaWNrPXRydWU).\*

\* cited by examiner

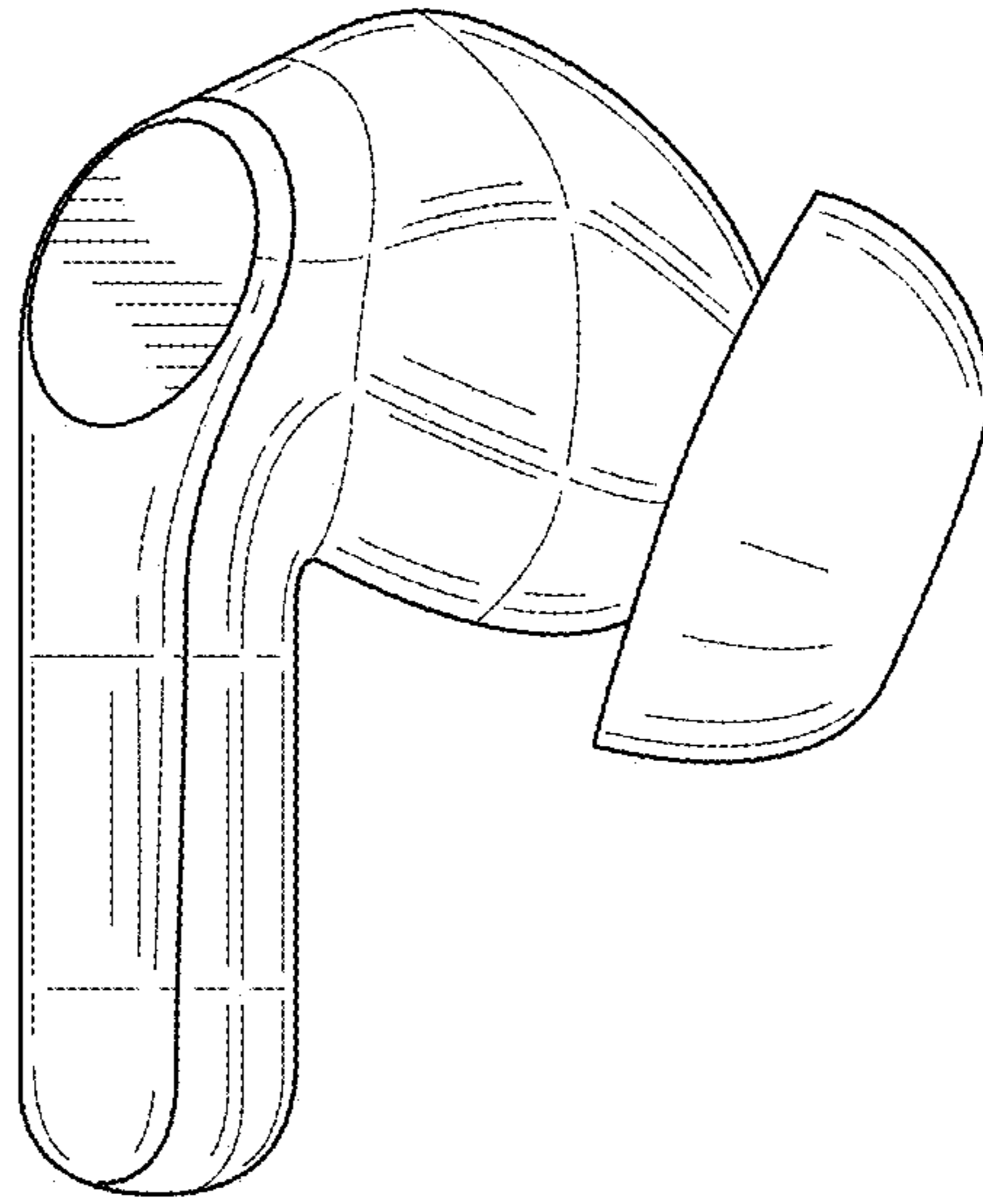


FIG. 1

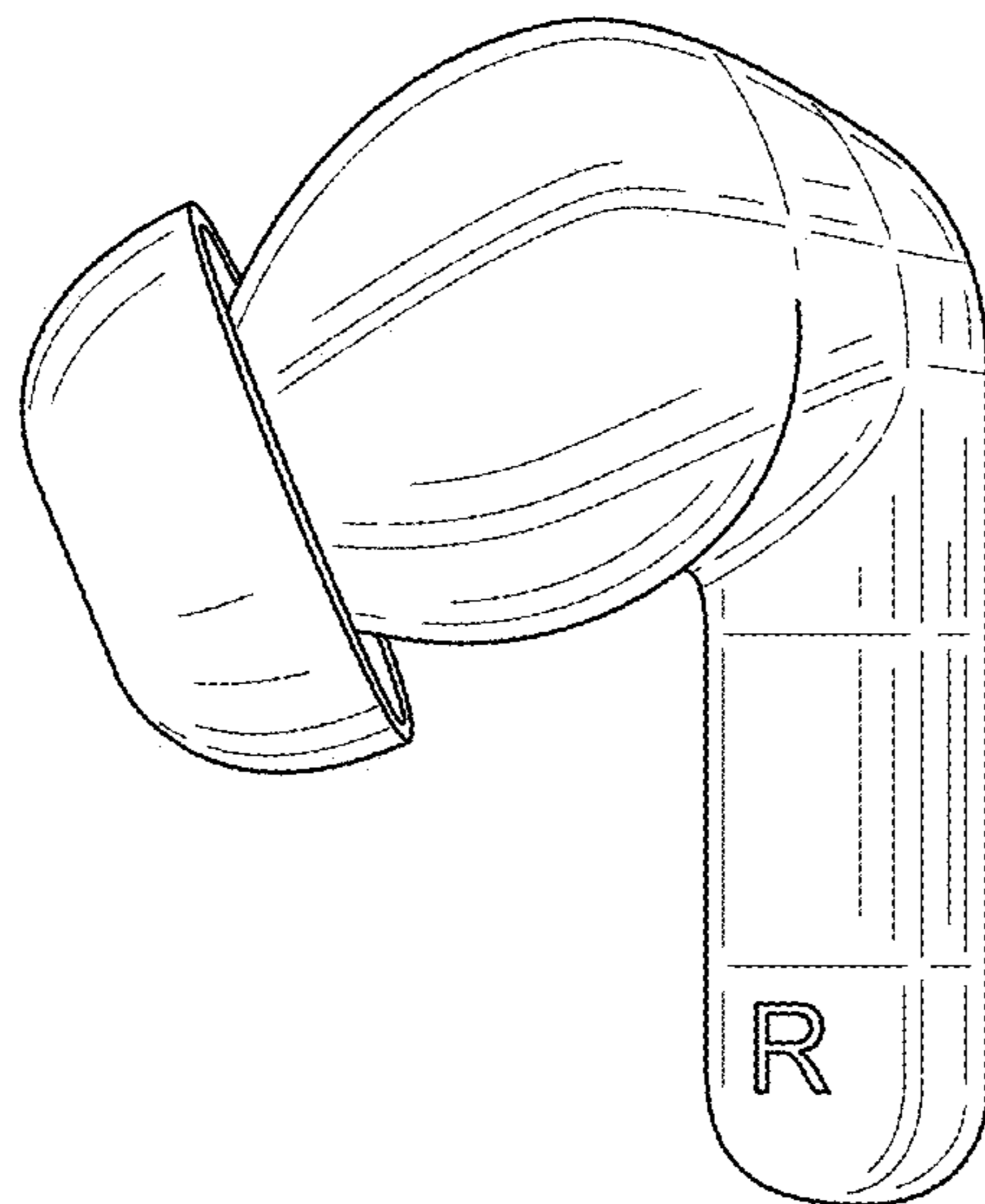


FIG. 2

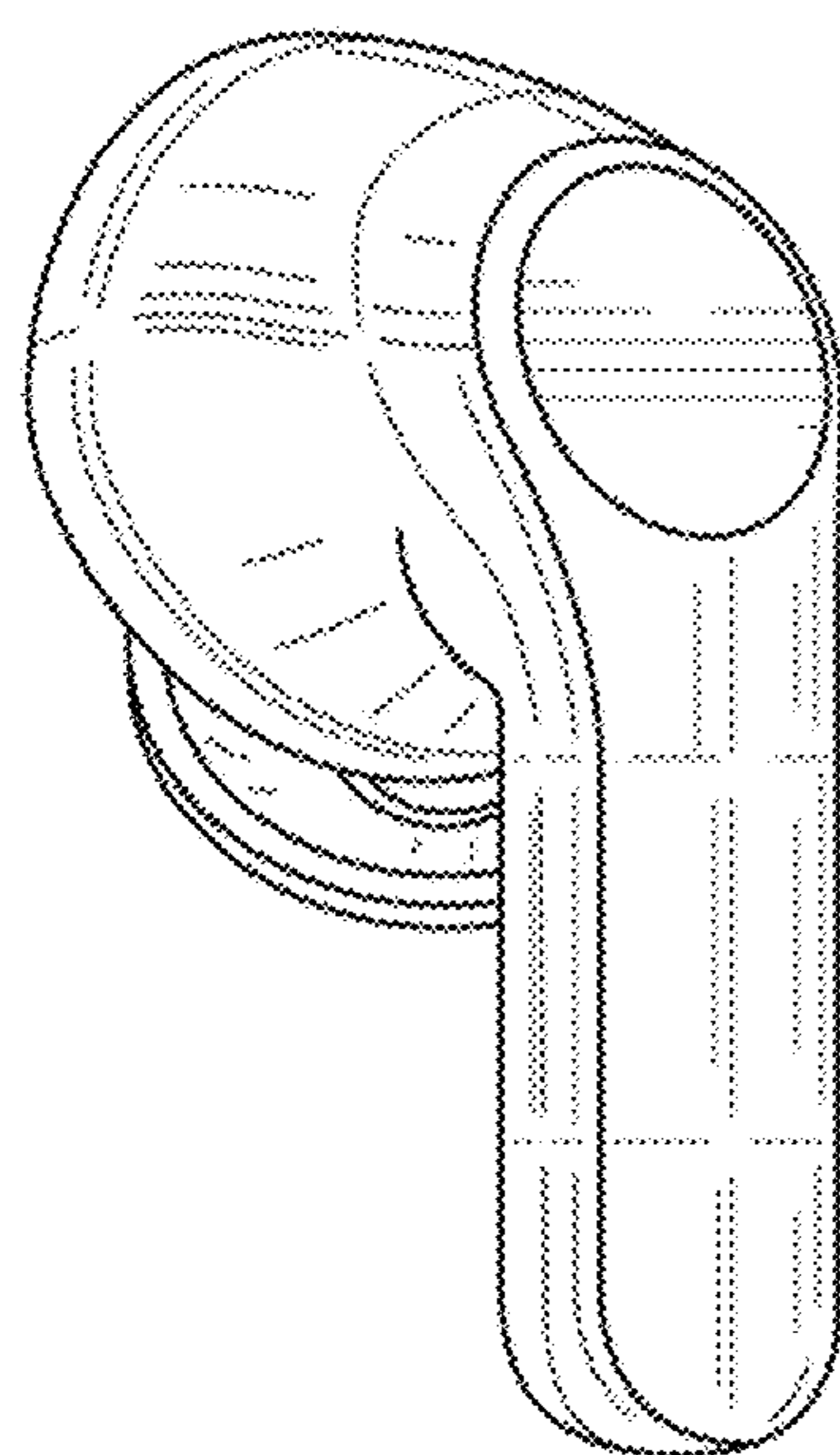


FIG. 3

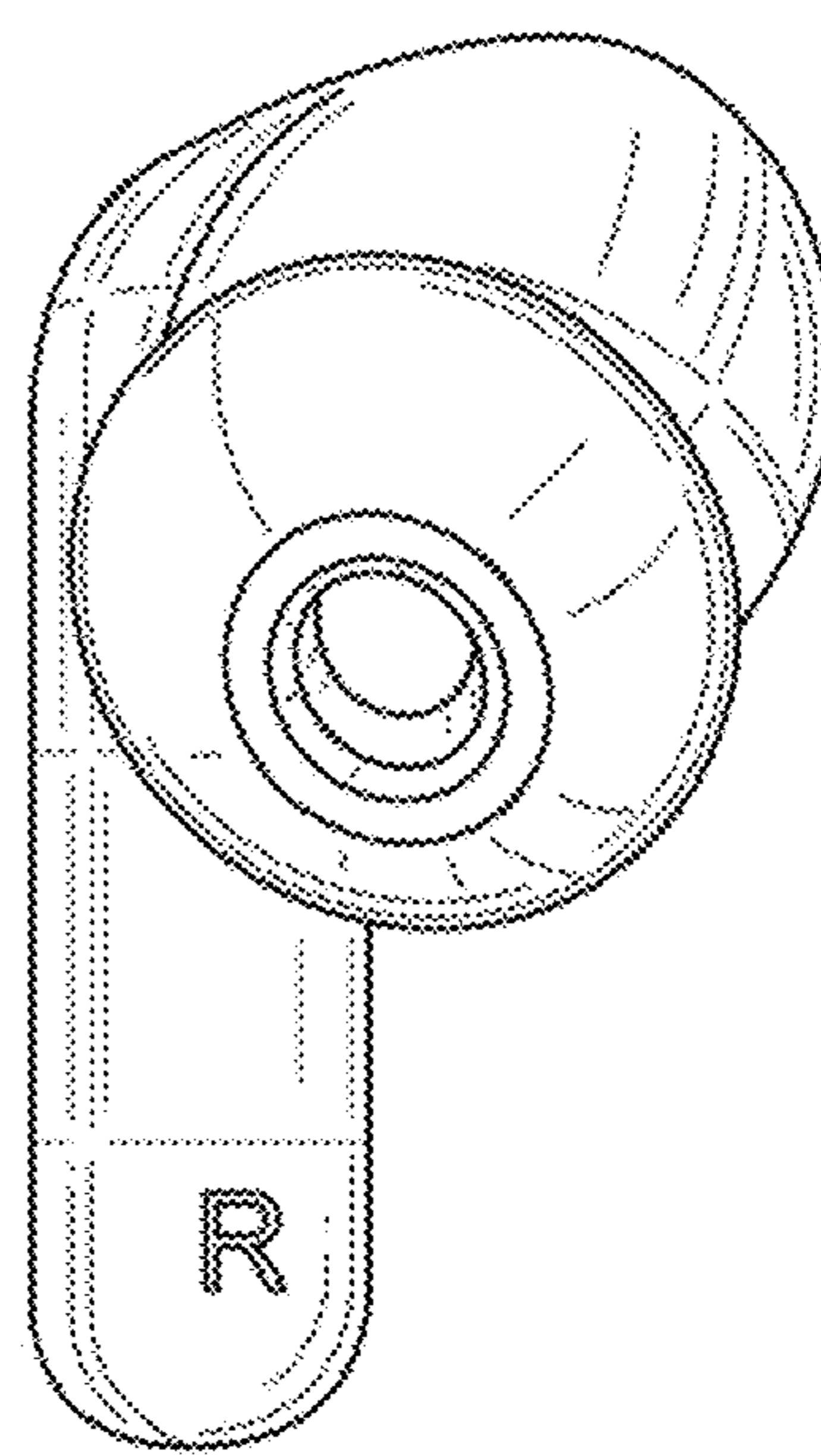


FIG. 4

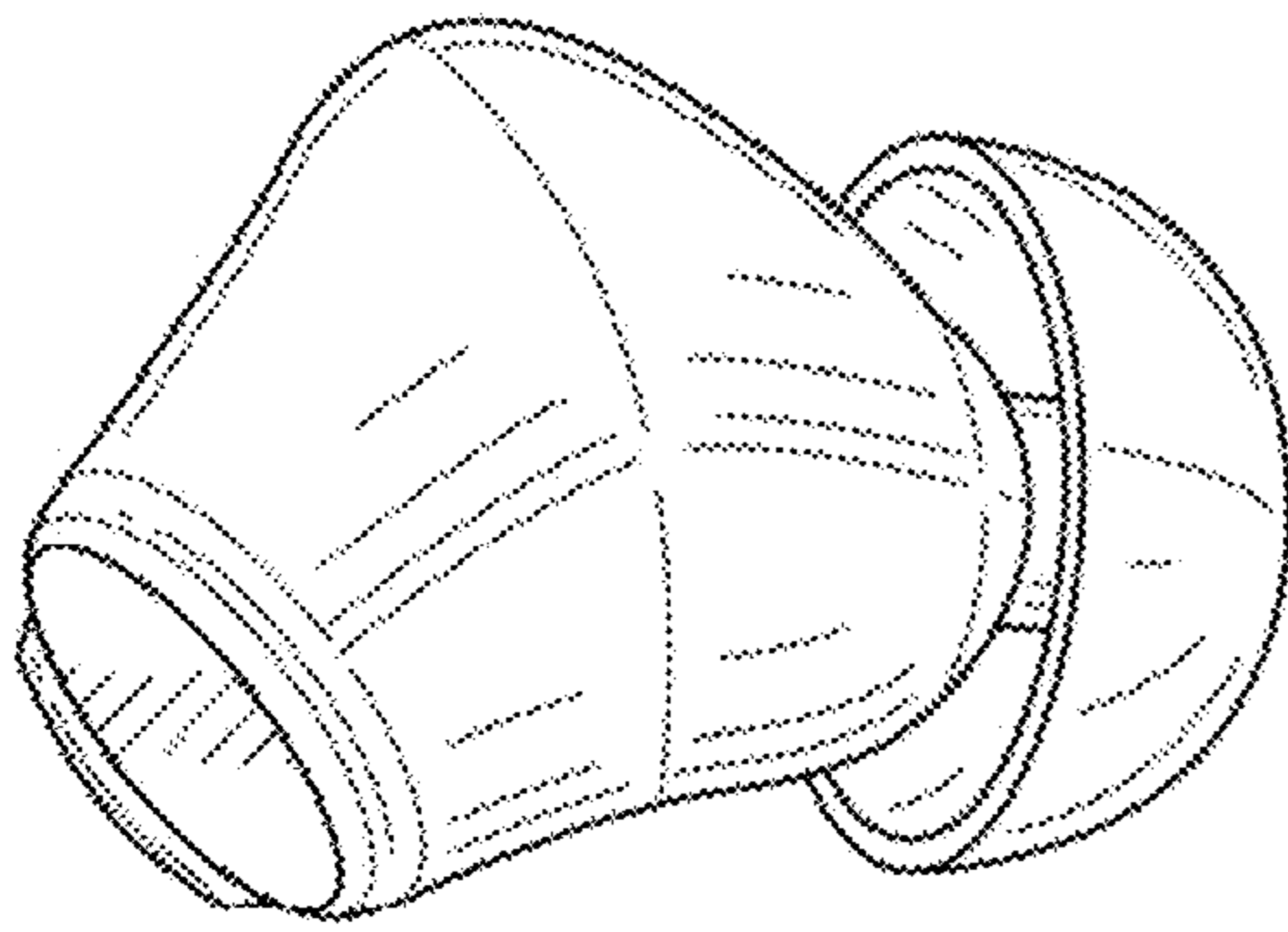


FIG. 5

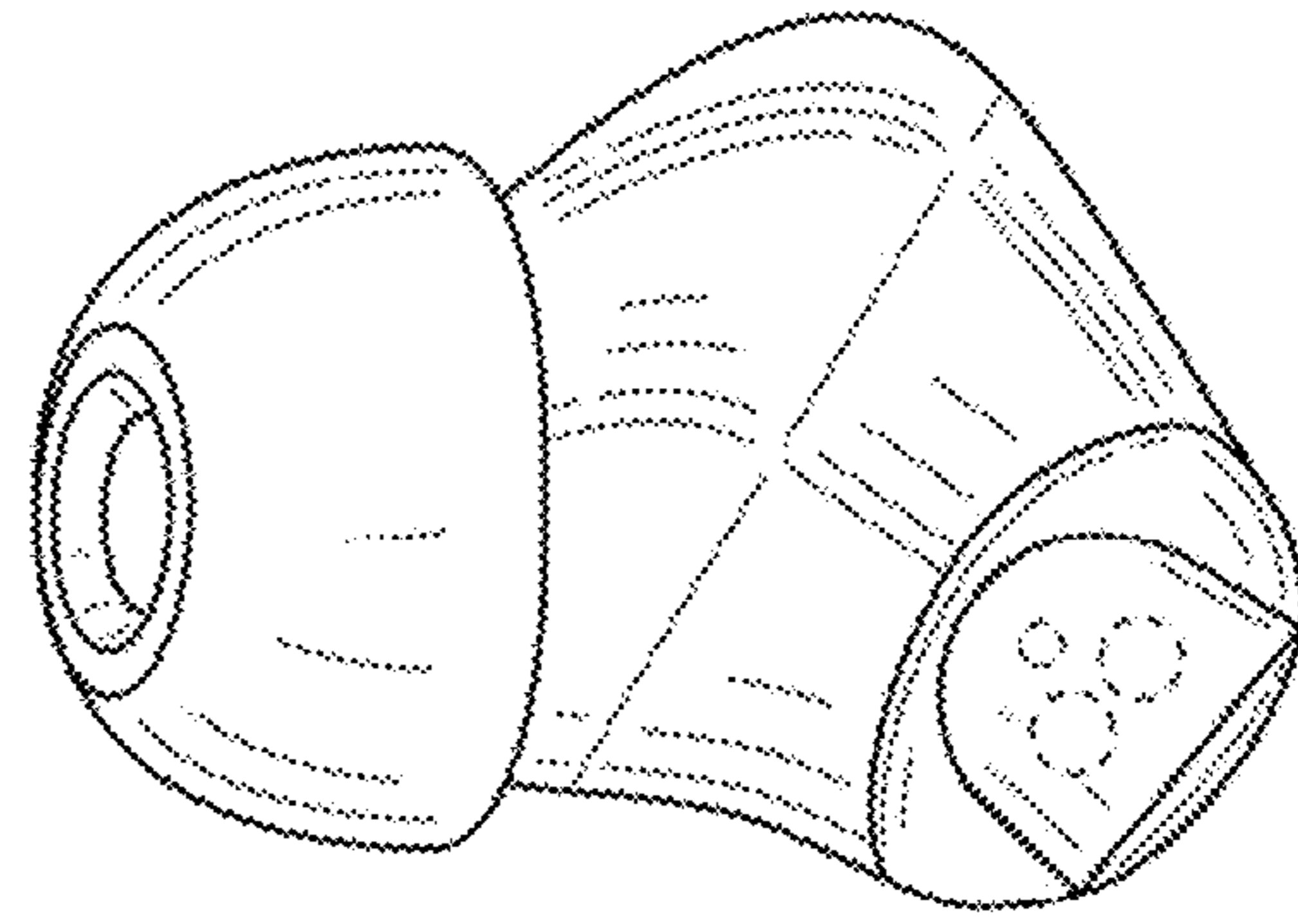


FIG. 6

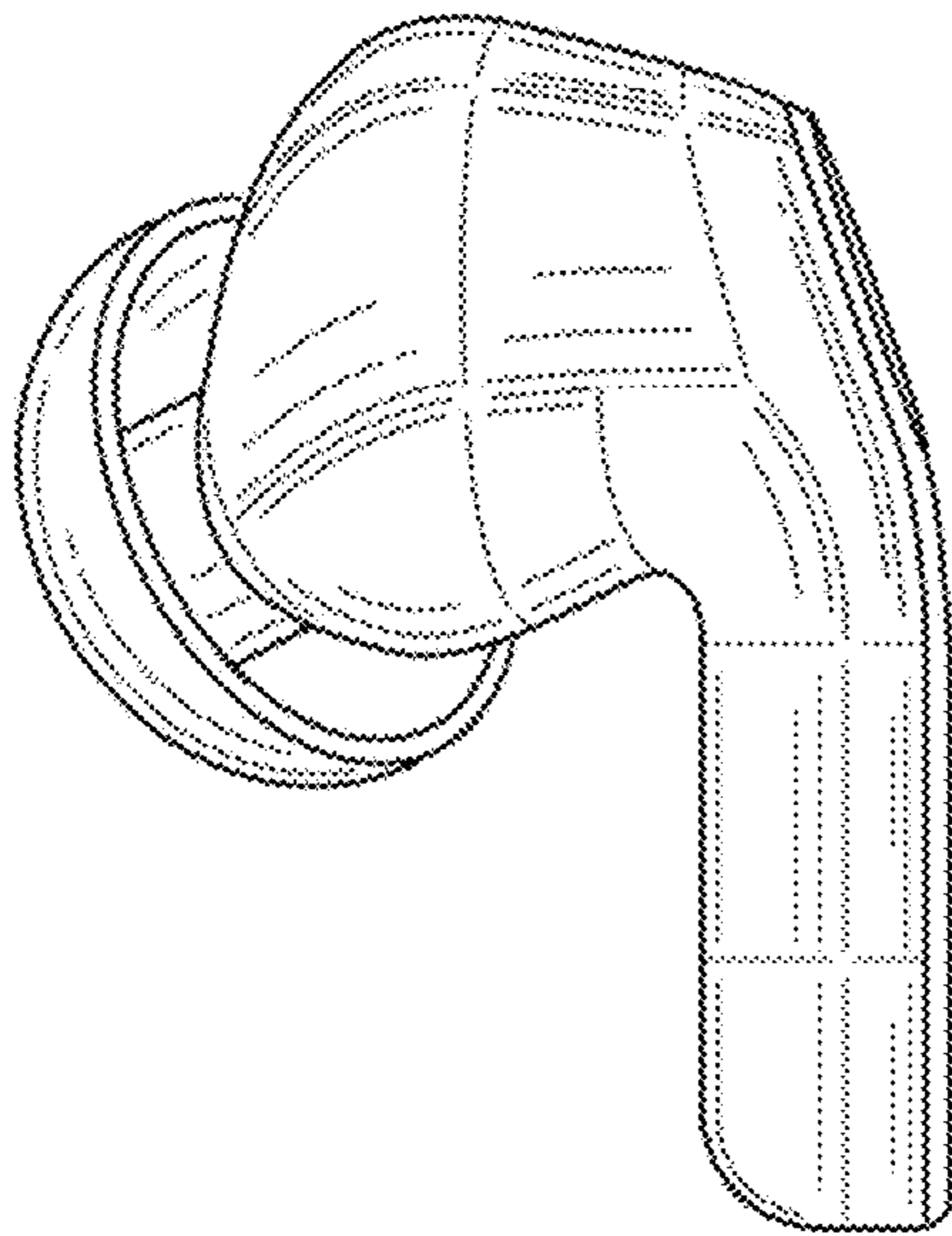


FIG. 7

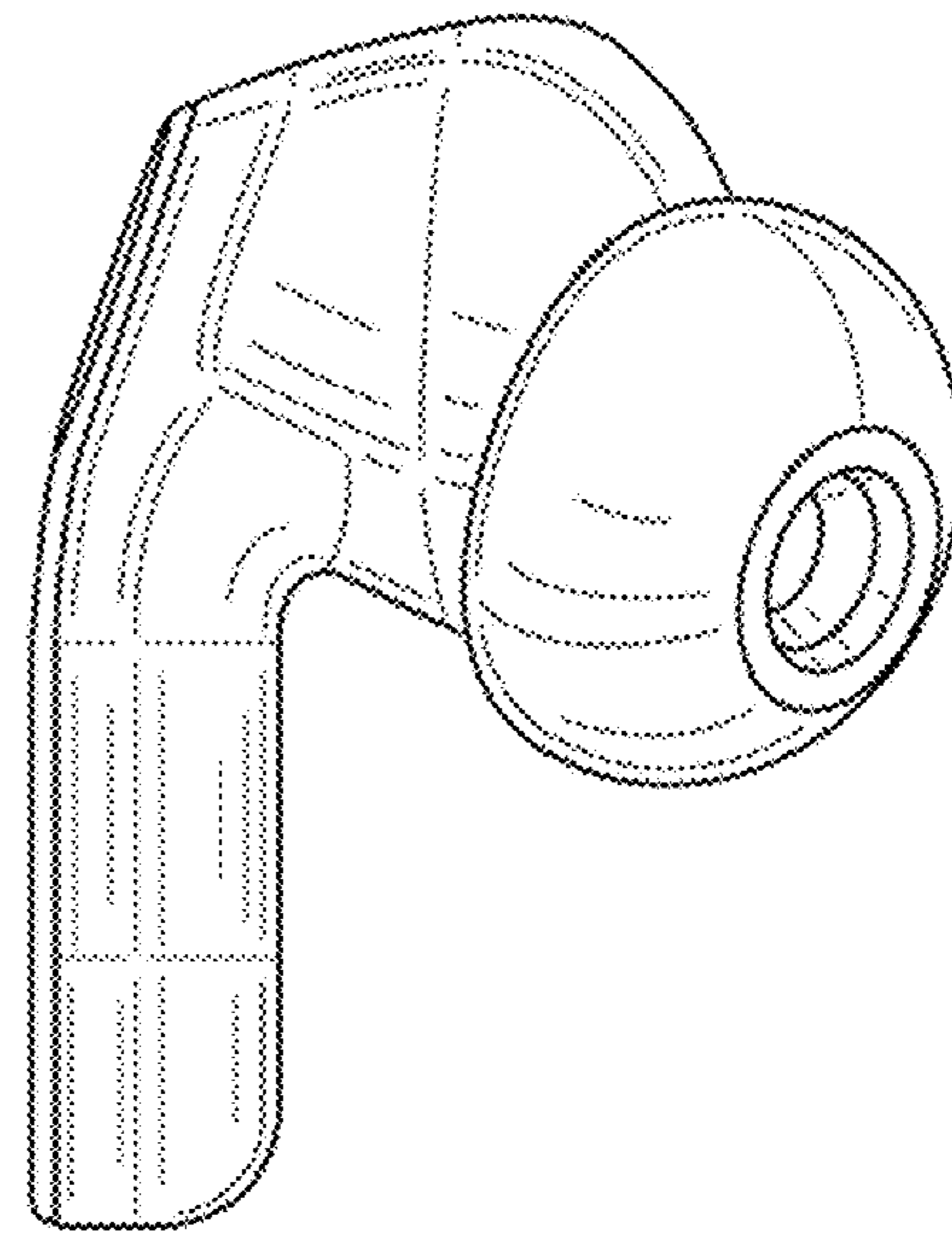


FIG. 8

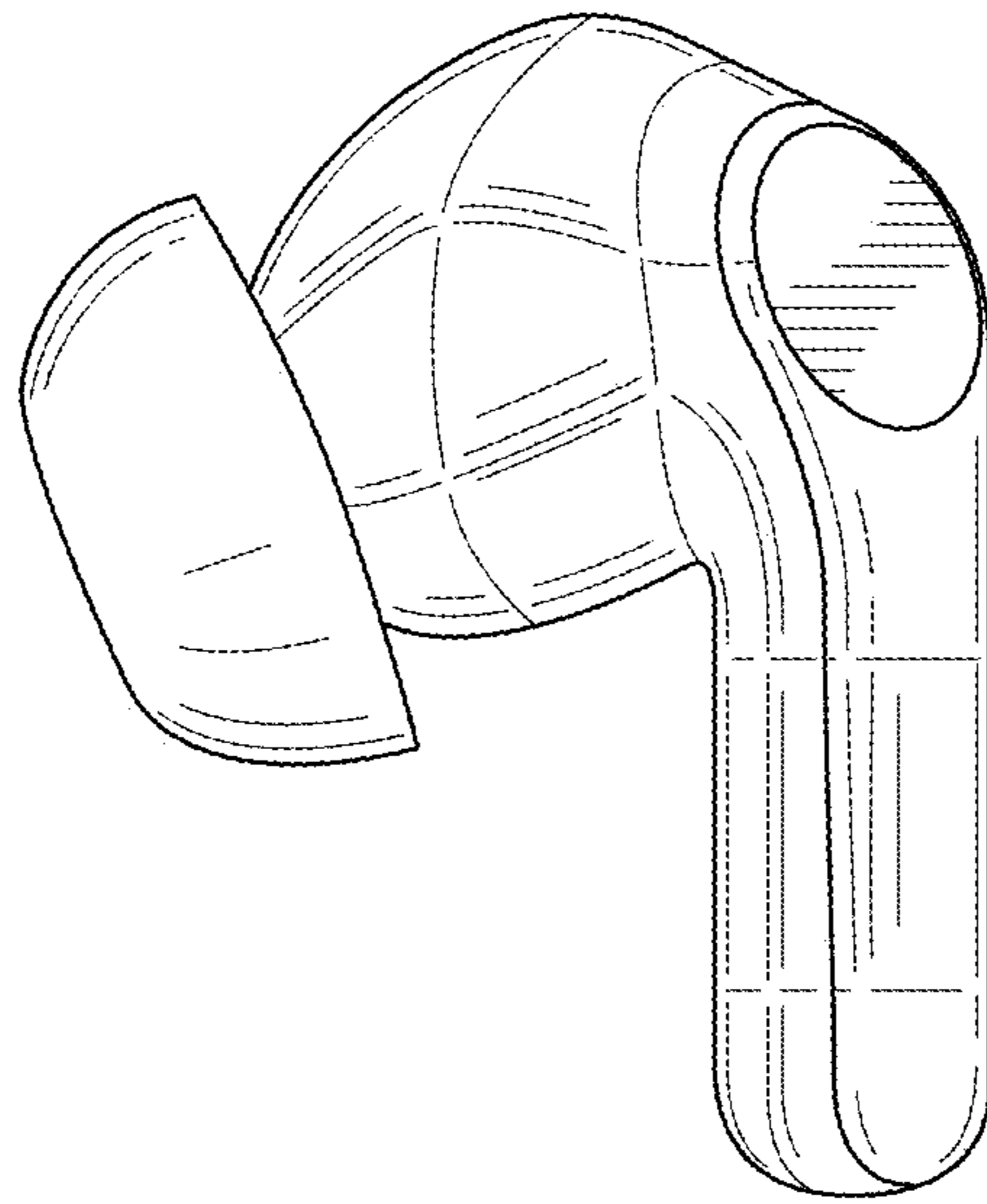


FIG. 9

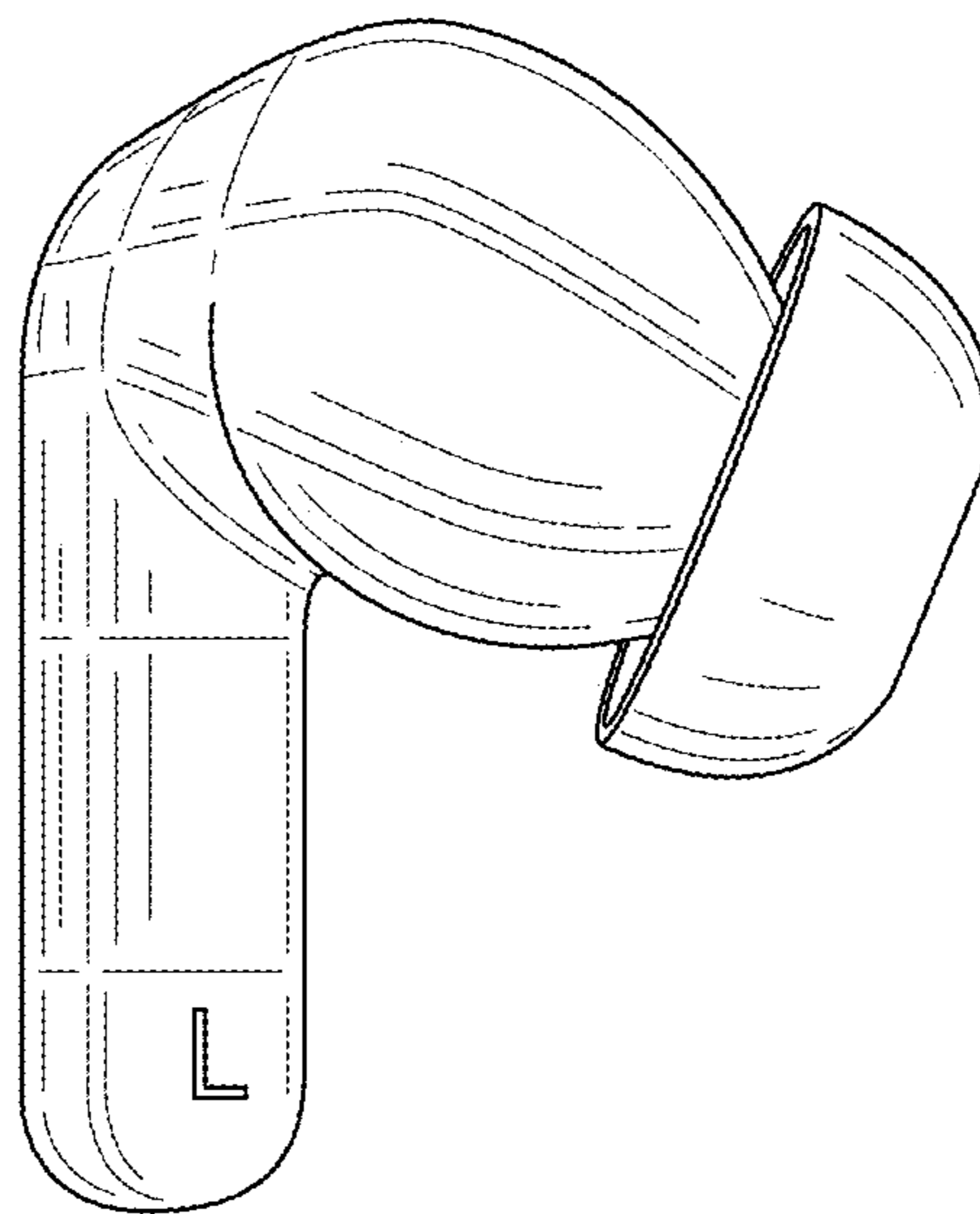


FIG. 10

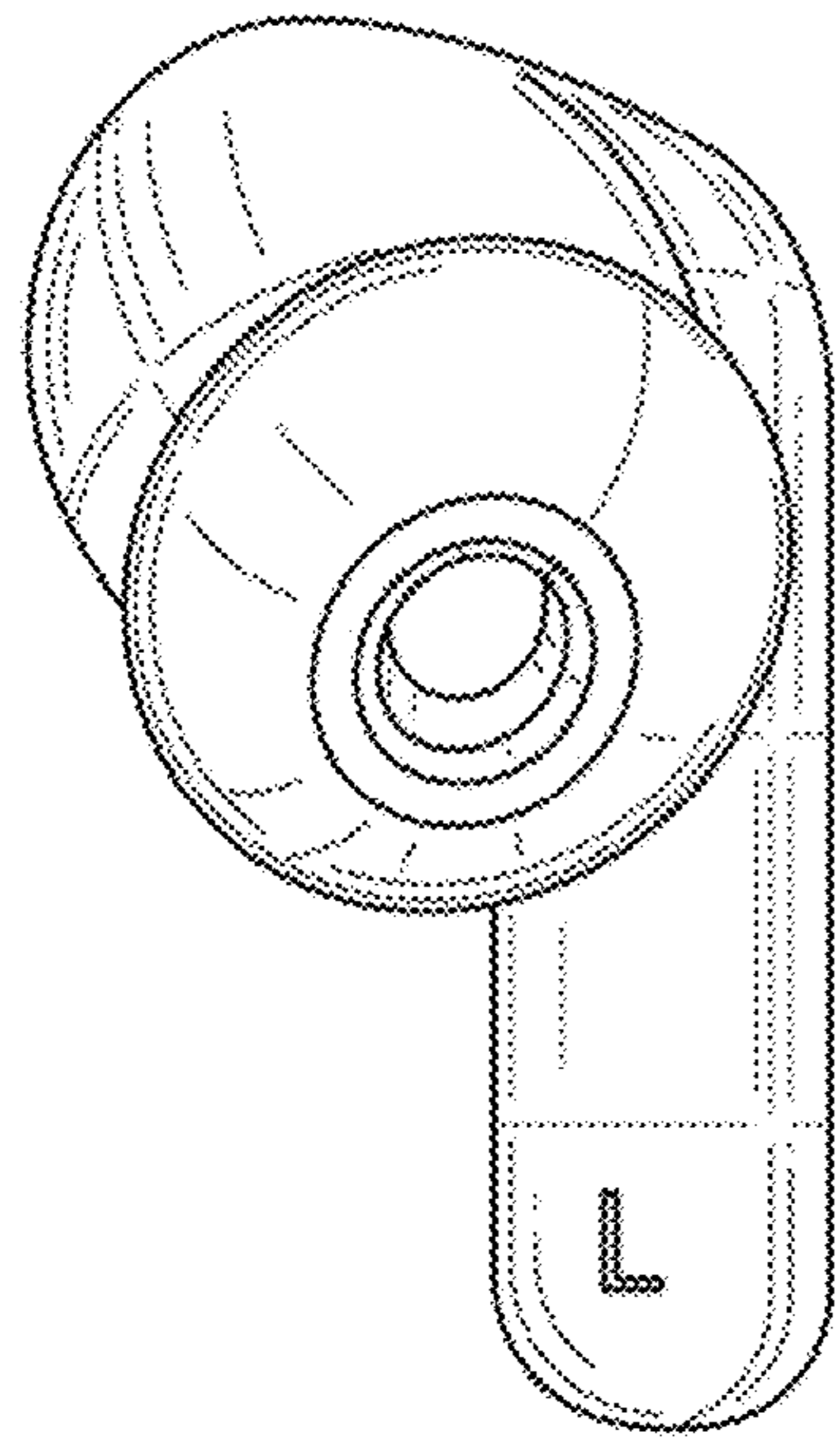


FIG. 11

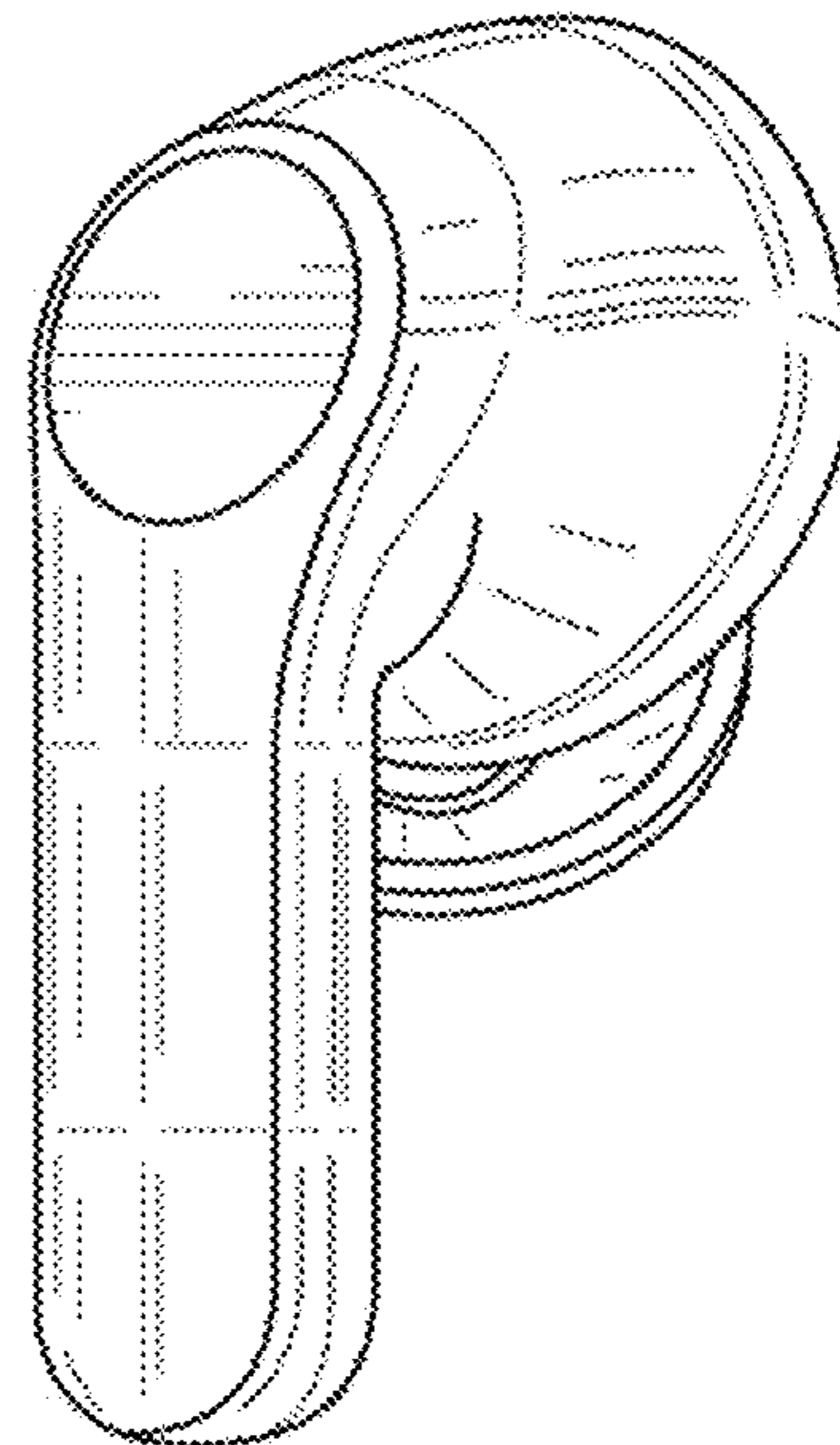


FIG. 12



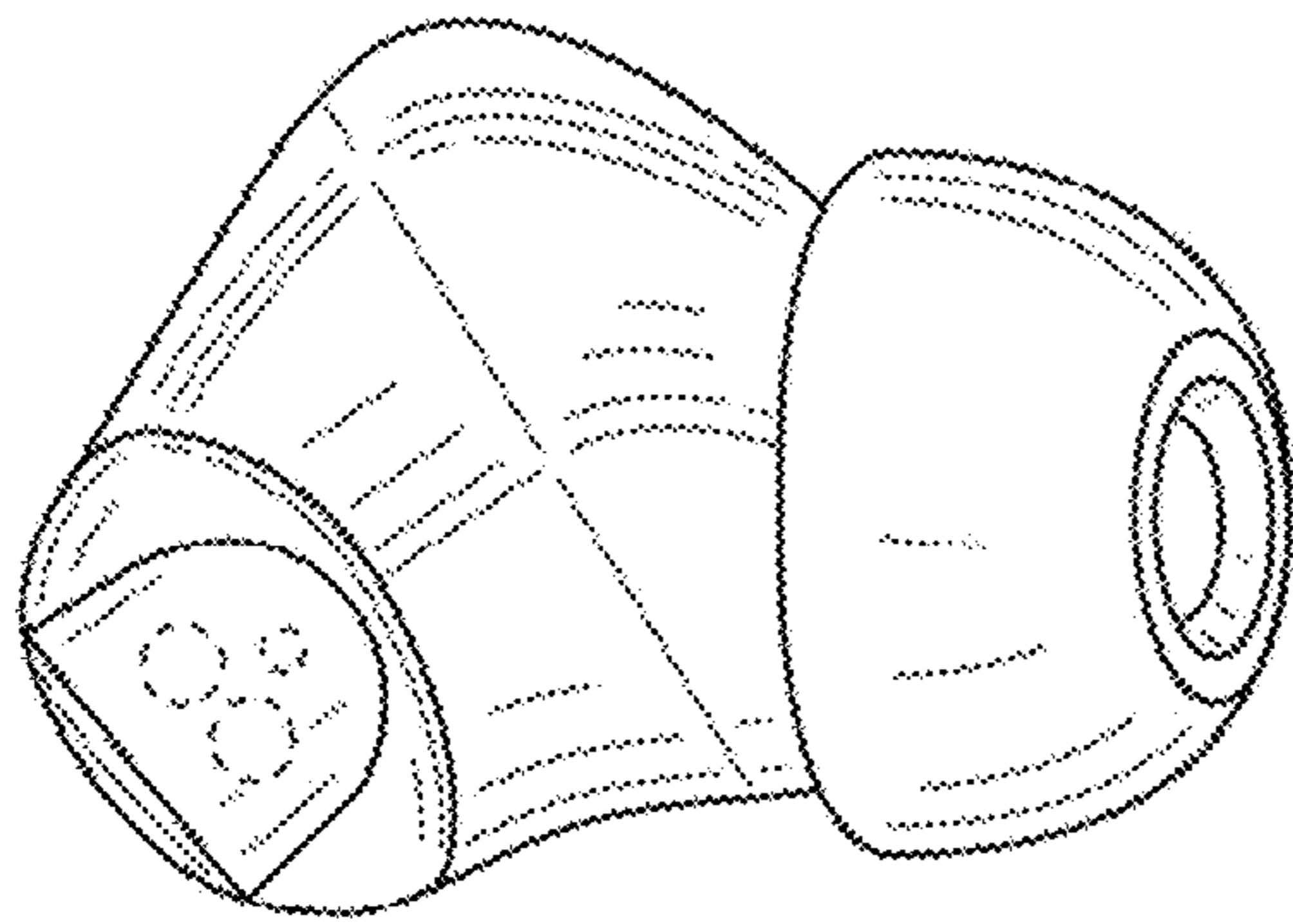


FIG. 13

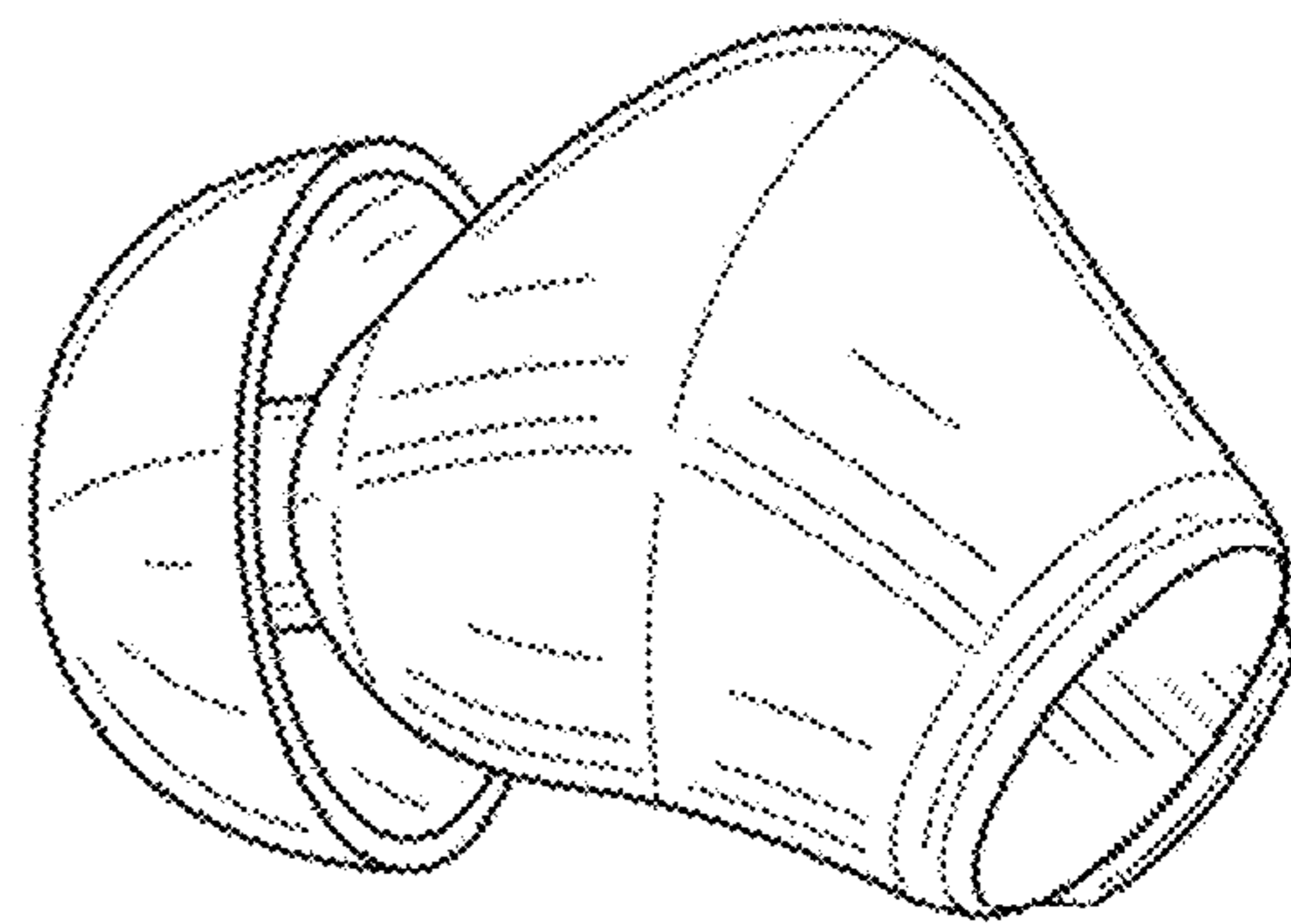


FIG. 14

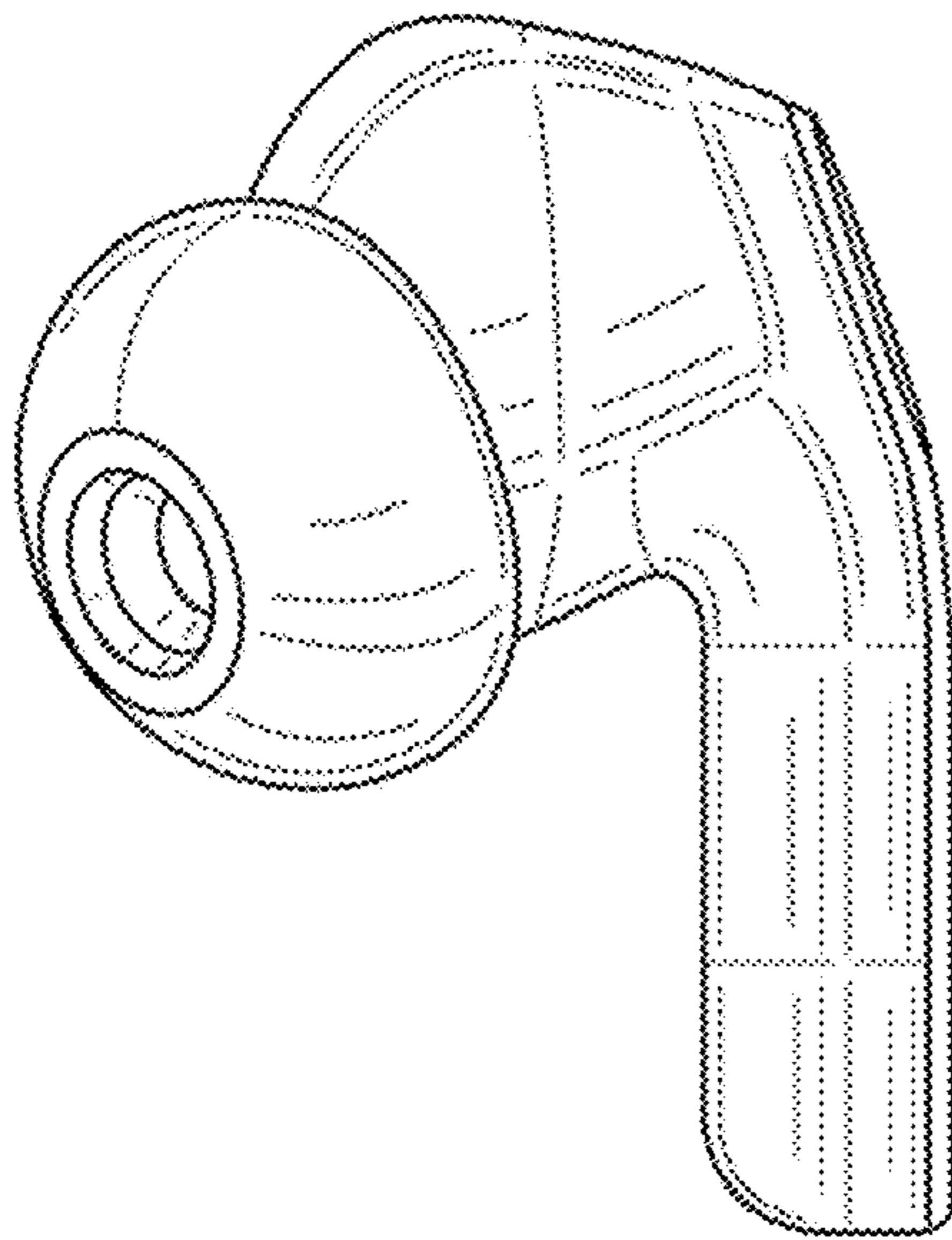


FIG. 15

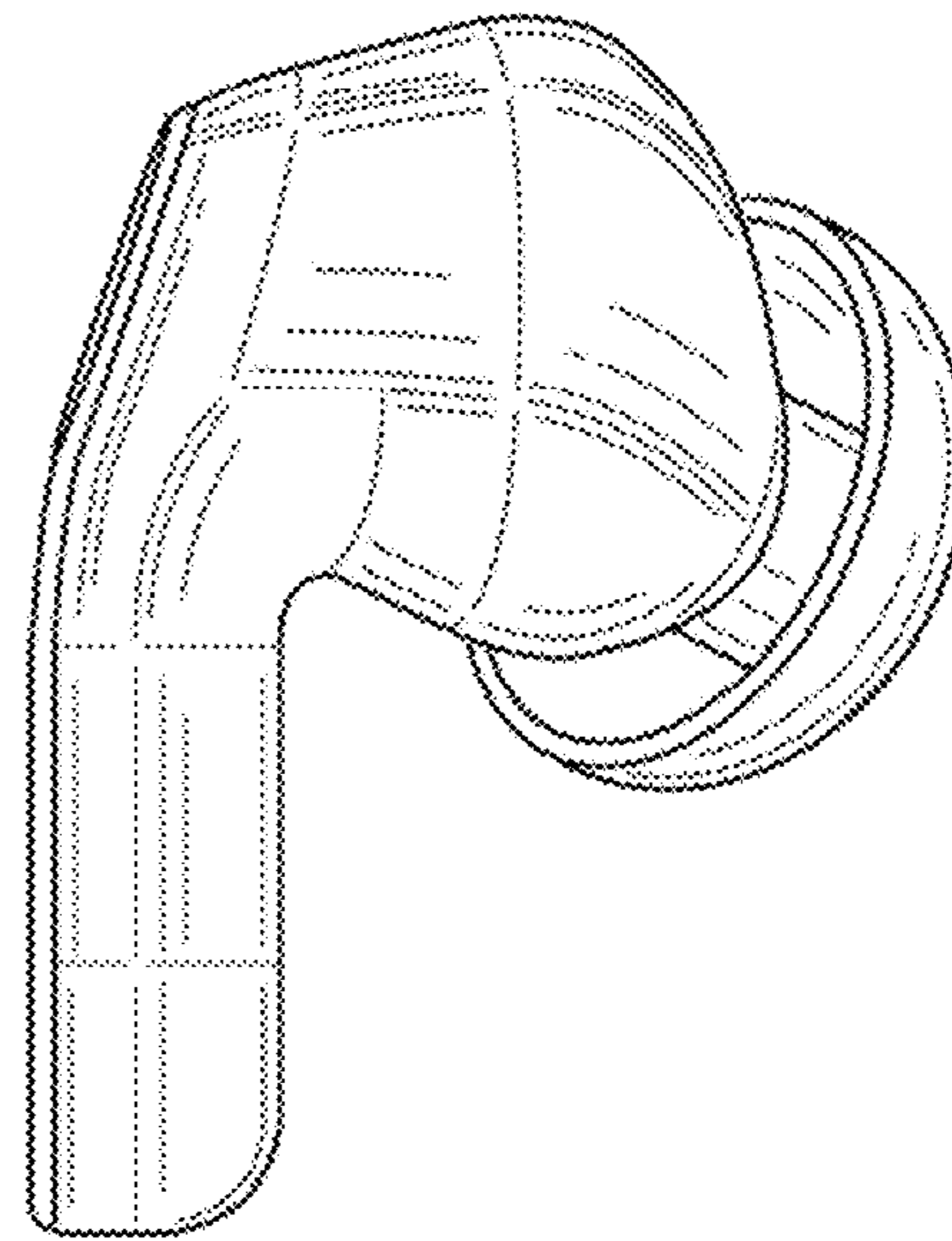


FIG. 16