



US00D967066S

(12) **United States Design Patent**
Cai et al.

(10) **Patent No.:** **US D967,066 S**
(45) **Date of Patent:** **** Oct. 18, 2022**

- (54) **WIRELESS EARBUDS**
- (71) Applicant: **Endliss Technology, Inc.**, Hayward, CA (US)
- (72) Inventors: **Sen Cai**, Hayward, CA (US);
Weiguang Huang, Hayward, CA (US)
- (73) Assignee: **ENDLISS TECHNOLOGY, INC.**, Hayward, CA (US)
- (**) Term: **15 Years**
- (21) Appl. No.: **29/736,732**
- (22) Filed: **Jun. 2, 2020**
- (51) **LOC (13) Cl.** **14-01**
- (52) **U.S. Cl.**
USPC **D14/223**
- (58) **Field of Classification Search**
USPC ... D14/205, 207, 217, 221, 223, 224, 224.1,
D14/225; D24/173, 174

2P38RDUF6GQ59&dchild=1&keywords=superx+earbuds&qid=1632511788&sprefix=SuperX+e%2Caps%2C208&sr=8-12.*

(Continued)

Primary Examiner — Messina L Smith
(74) *Attorney, Agent, or Firm* — Bishop, Diehl & Lee, Ltd.

(57) **CLAIM**

The ornamental design for wireless earbuds, as shown and described.

DESCRIPTION

FIG. 1 is an isometric view of wireless earbuds showing the new design;

FIG. 2 is a front view of the right earbud of the wireless earbuds shown in FIG. 1;

FIG. 3 is a top view of the right earbud shown in FIG. 2;

FIG. 4 is a left side view of the right earbud shown in FIG. 2;

FIG. 5 is a rear view of the right earbud shown in FIG. 2;

FIG. 6 is a right side view of the right earbud shown in FIG. 2;

FIG. 7 is a bottom view of the right earbud shown in FIG. 2;

FIG. 8 is a front view of the left earbud of the wireless earbuds shown in FIG. 1;

FIG. 9 is a top view of the left earbud shown in FIG. 8;

FIG. 10 is a right side view of the left earbud shown in FIG. 8;

FIG. 11 is a rear view of the left earbud shown in FIG. 8;

FIG. 12 is a left side view of the left earbud shown in FIG. 8;

FIG. 13 is a bottom view of the left earbud shown in FIG. 8; and,

FIG. 14 is an isometric view of the wireless earbuds of FIG. 1 shown inserted into a protective case.

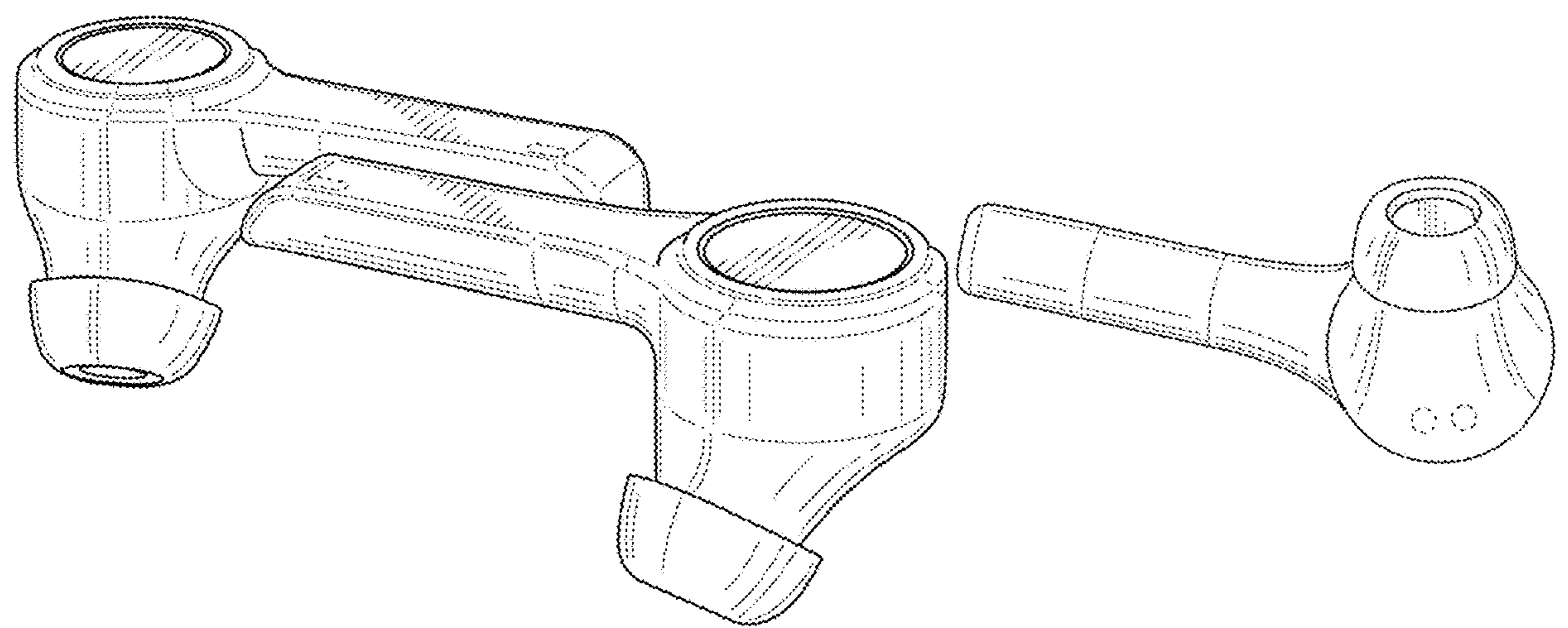
The broken lines in the drawings depict portions of the wireless earbuds that form no part of the claimed design. The broken line showing the protective case in FIG. 14 depicts environment and forms no part of the claimed design.

- (Continued)
- (56) **References Cited**
- U.S. PATENT DOCUMENTS
- D626,117 S * 10/2010 Lowry D14/223
- D877,722 S * 3/2020 Yang D14/223
- (Continued)
- FOREIGN PATENT DOCUMENTS
- CN 306033139 * 9/2020
- CN 306039906 * 9/2020
- (Continued)

OTHER PUBLICATIONS

XClear Wireless Earbuds with Immersive Sounds, announced Nov. 2, 2019 [online], retrieved Oct. 22, 2021, retrieved from internet, https://www.amazon.com/XClear-Headphones-Quick-Pairing-Microphones-Sweatproof/dp/B07ZWJR9GD/ref=sr_1_12?crd=

1 Claim, 8 Drawing Sheets



(58) **Field of Classification Search**

CPC H04R 1/10; H04R 1/1016; H04R 1/1066;
 H04R 1/105; H04R 1/1033; H04R 1/08;
 H04R 5/033; H04R 5/0335; H04R 25/00

See application file for complete search history.

FOREIGN PATENT DOCUMENTS

CN	306039964	*	9/2020
CN	306046688	*	9/2020
CN	306085531	*	10/2020
JP	D1667779	*	8/2020

(56)

References Cited

U.S. PATENT DOCUMENTS

D882,553	S	*	4/2020	Wu	D14/223
D888,690	S	*	6/2020	Yan	D14/223
D890,724	S	*	7/2020	Li	D14/223
D896,207	S	*	9/2020	He	D14/223
D908,114	S	*	1/2021	Jung	D14/223
D908,665	S	*	1/2021	Wen	D14/223
D910,600	S	*	2/2021	Zhang	D14/223
D912,011	S	*	3/2021	Zhao	D14/205
D914,644	S	*	3/2021	Zhu	D14/223
D916,058	S	*	4/2021	Wu	D14/223
D916,685	S	*	4/2021	Fang	D14/223
D918,182	S	*	5/2021	Chen	D14/223
D920,293	S	*	5/2021	Chen	D14/223
D921,615	S	*	6/2021	Wu	D14/223
D924,209	S	*	7/2021	Wu	D14/223
D924,851	S	*	7/2021	Li	D14/223
D924,852	S	*	7/2021	Liu	D14/223
D925,498	S	*	7/2021	Lin	D14/223
D925,499	S	*	7/2021	Xie	D14/223
D925,500	S	*	7/2021	Chen	D14/223
D926,733	S	*	8/2021	Wu	D14/223
D928,126	S	*	8/2021	Chen	D14/223
D931,258	S	*	9/2021	Ding	D14/223

OTHER PUBLICATIONS

SuperX Bluetooth 5.0 Wireless Earbuds, announced Apr. 19, 2020 [online], retrieved Oct. 22, 2021, retrieved from internet, <https://www.amazon.com/gp/product/B087CBJM29?th=1&psc=1>.*

BCS-T90 | EXFIT True Wireless Earbuds with Bluetooth 5.0, announced May 20, 2019 [online], retrieved Oct. 22, 2021, retrieved from internet, https://www.amazon.com/dp/B07P61RR6P?pd_rd_i=B07P61RR6P&pd_rd_w=AdG51&pf_rd_p=7ea8e9d0-fed1-49e8-a002-f2d3f5cb151d&pd_rd_wg=4fKq8&pf_rd_r=0YF4NZCW5821GQ8E823D&pd_rd_r=49fae775-cdbe-49df-a632-c1d73a14eec4.*

Picun W20 Pink Wireless Headphones In-Ear, announced May 20, 2019 [online], retrieved Oct. 22, 2021, retrieved from internet, https://www.amazon.com/dp/B08BHP75M8/ref=sspa_dk_detail_4?psc=1&pd_rd_i=B08BHP75M8&pd_rd_w=1wG03&pf_rd_p=54ed5474-54a8-4c7f-a88a-45f748d18166&pd_rd_wg=DrP0Q&pf_rd_r=ZYGvQSP3YDE6MSTETKE1&pd_rd_r=e3c815ef-d67c-40f7-9462-a5af20b4b512&spLa=ZW5jcnlwdGVkUXVhbGlmaWVyPU E2Qk1GS1RLNEdNQyZlbnNyeXB0ZWZWRJZD1BMDIxNjc1OE pVNEdEV1BPUkZNSiZlbnNyeXB0ZWZWRBZEIkPUEwMTQ2ODY xMkxVUTIRSEw0VIFMMyZ3aWRnZXROYW1IPXNwX2RldGF pbF90aGVtYXRpYyZhY3Rpb249Y2xpY2tSZWRpcmVjdCZkb05 vdExvZ0NsaWNrPXRydWU=.*

* cited by examiner

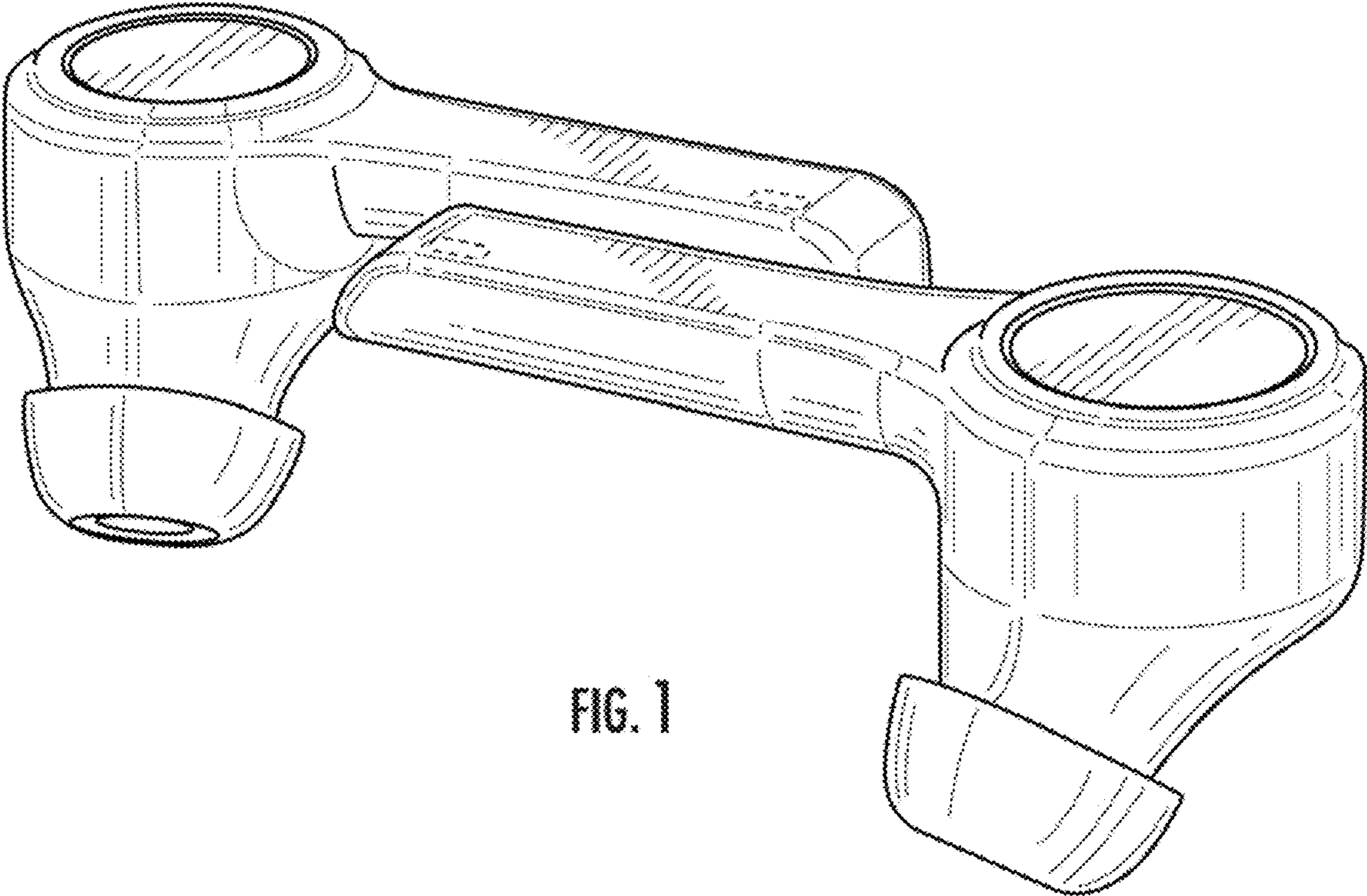


FIG. 1

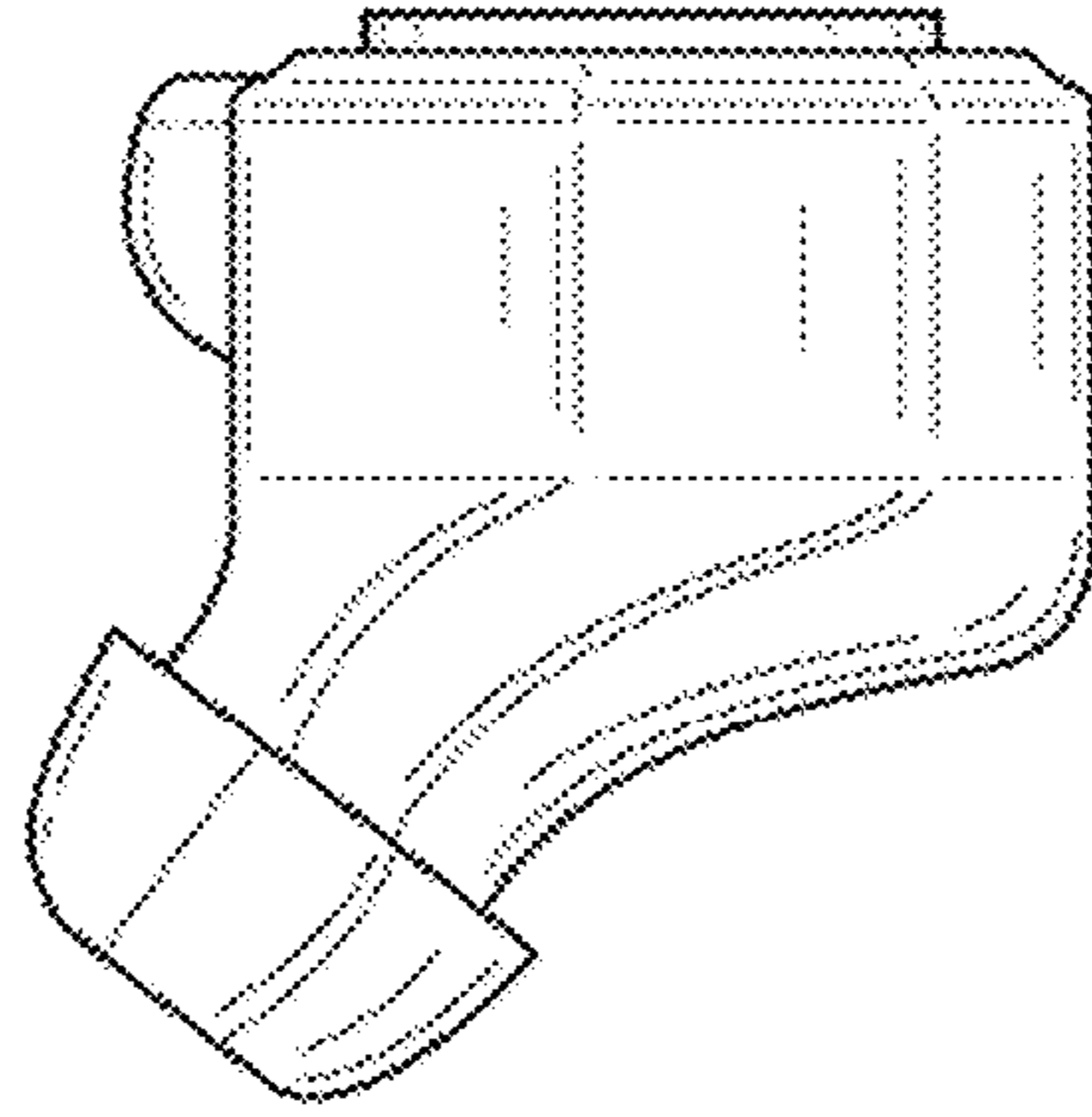


FIG. 2

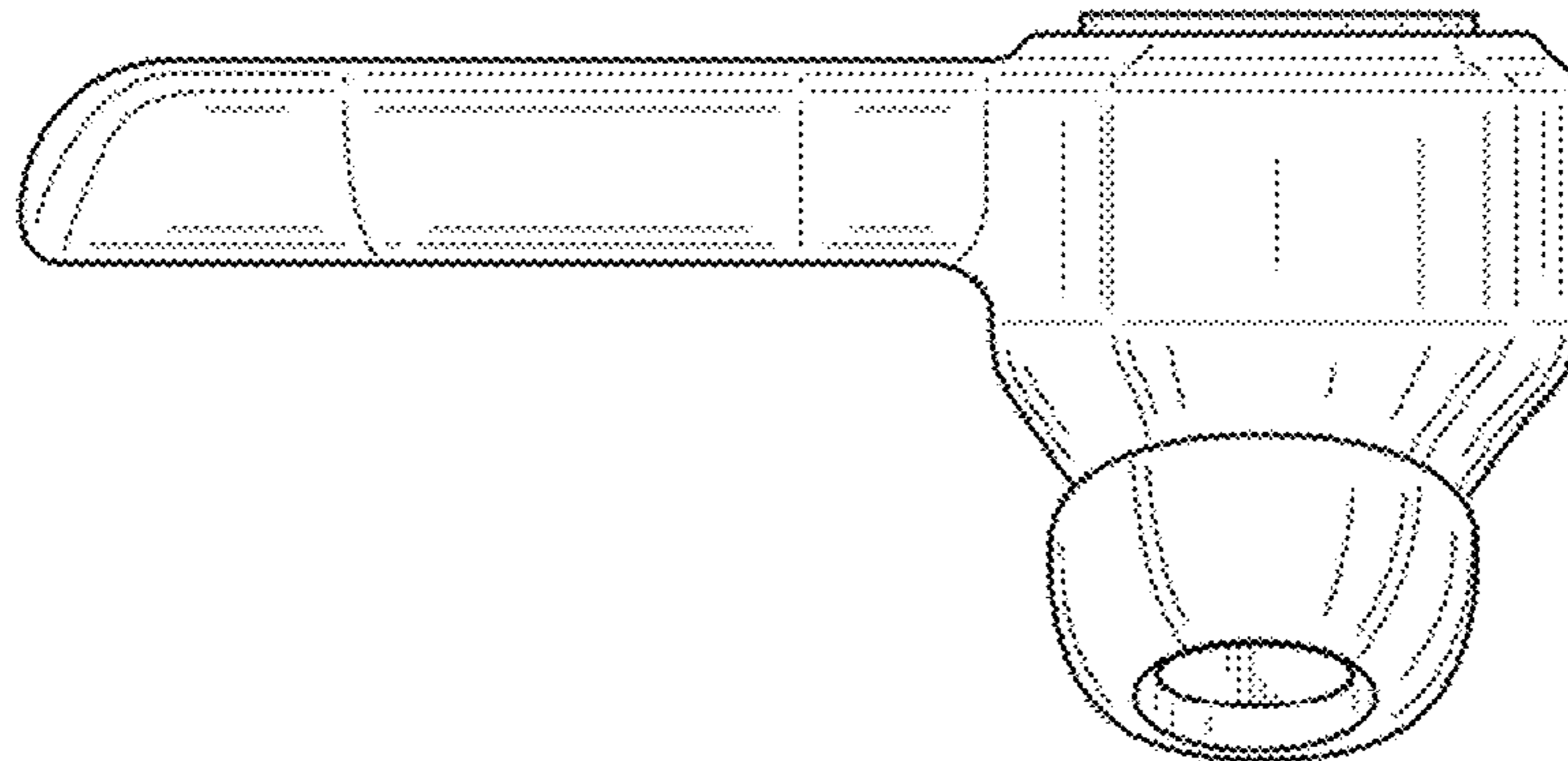


FIG. 3

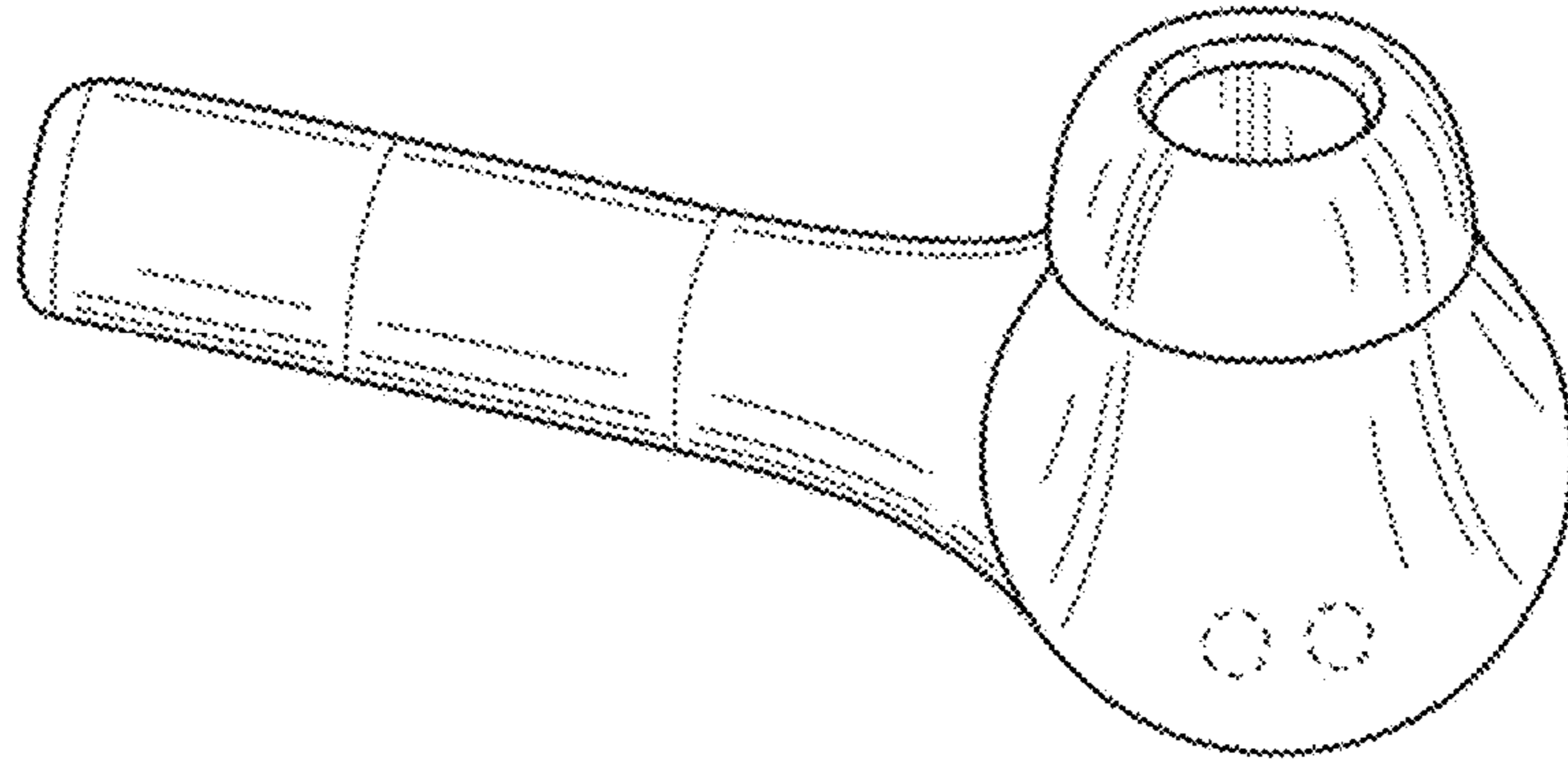


FIG. 4

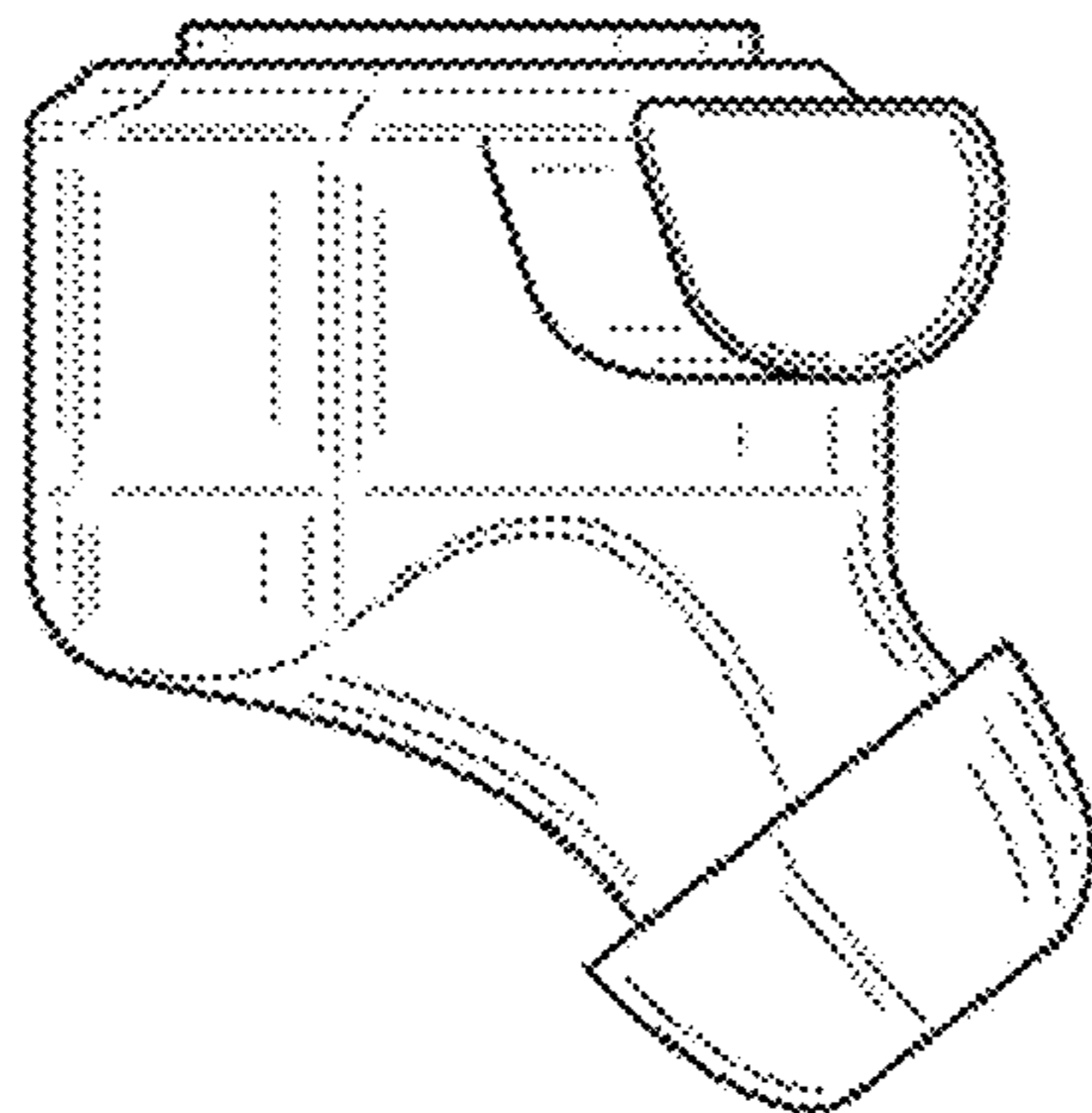


FIG. 5

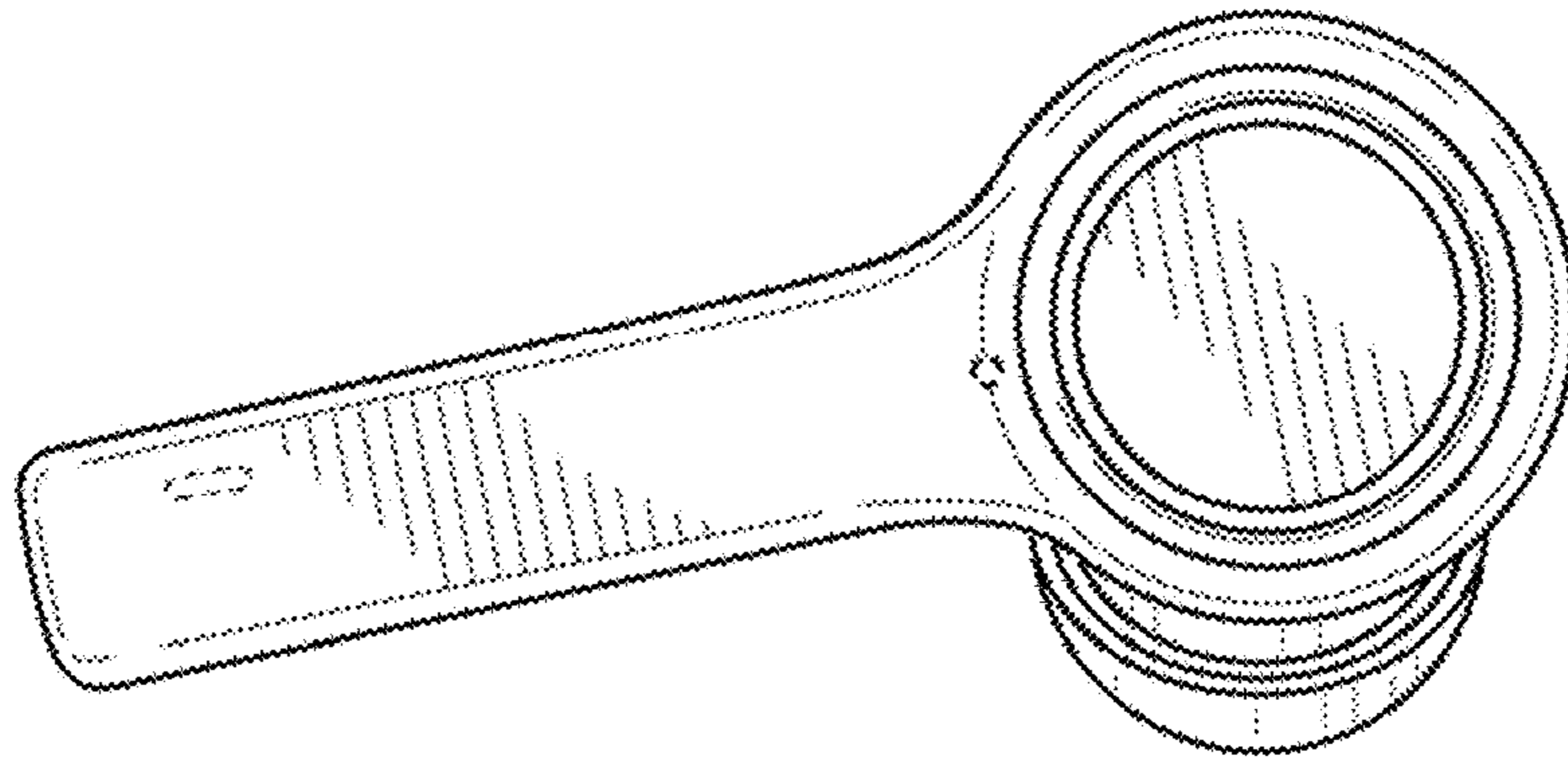


FIG. 6

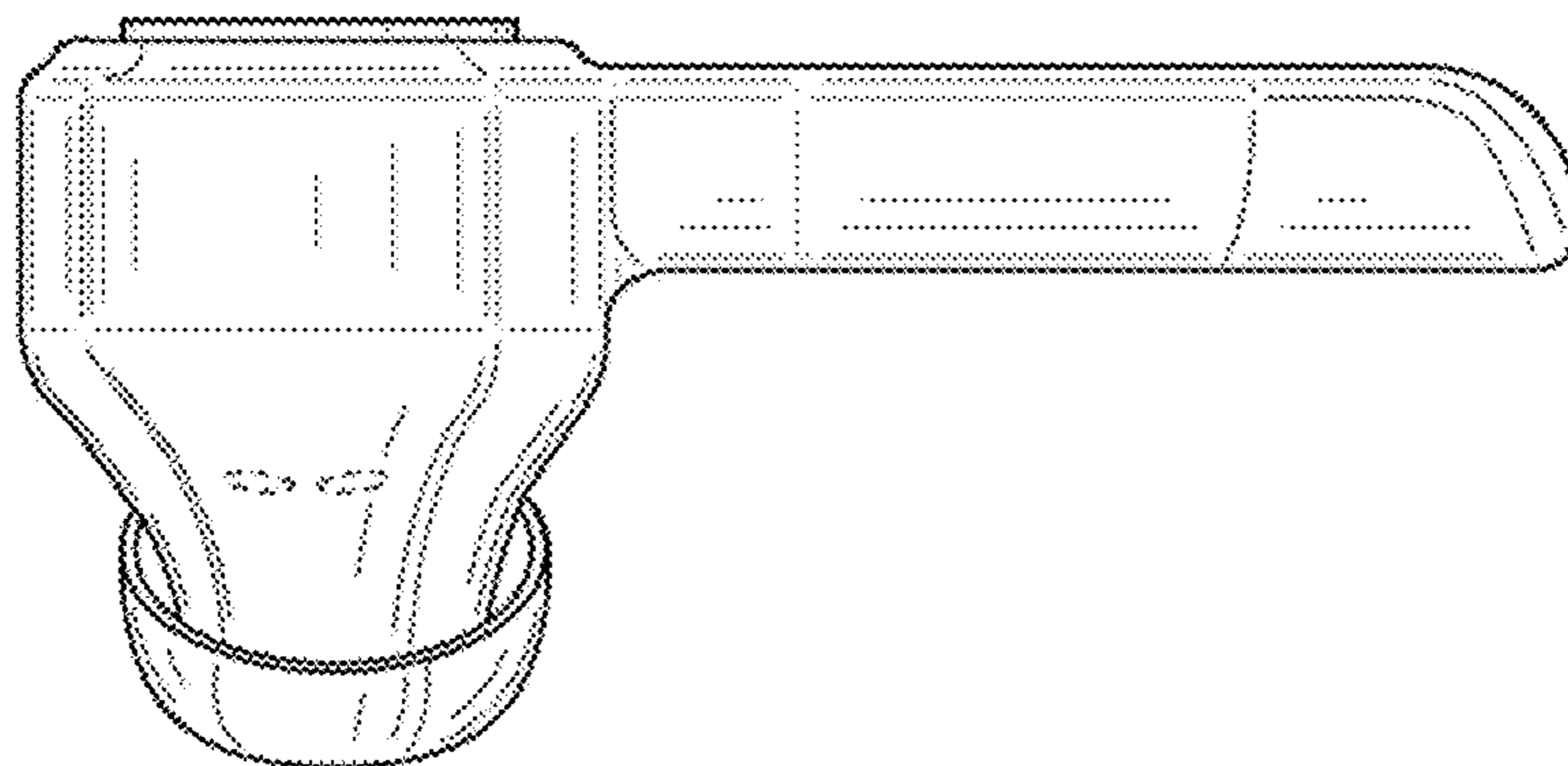


FIG. 7

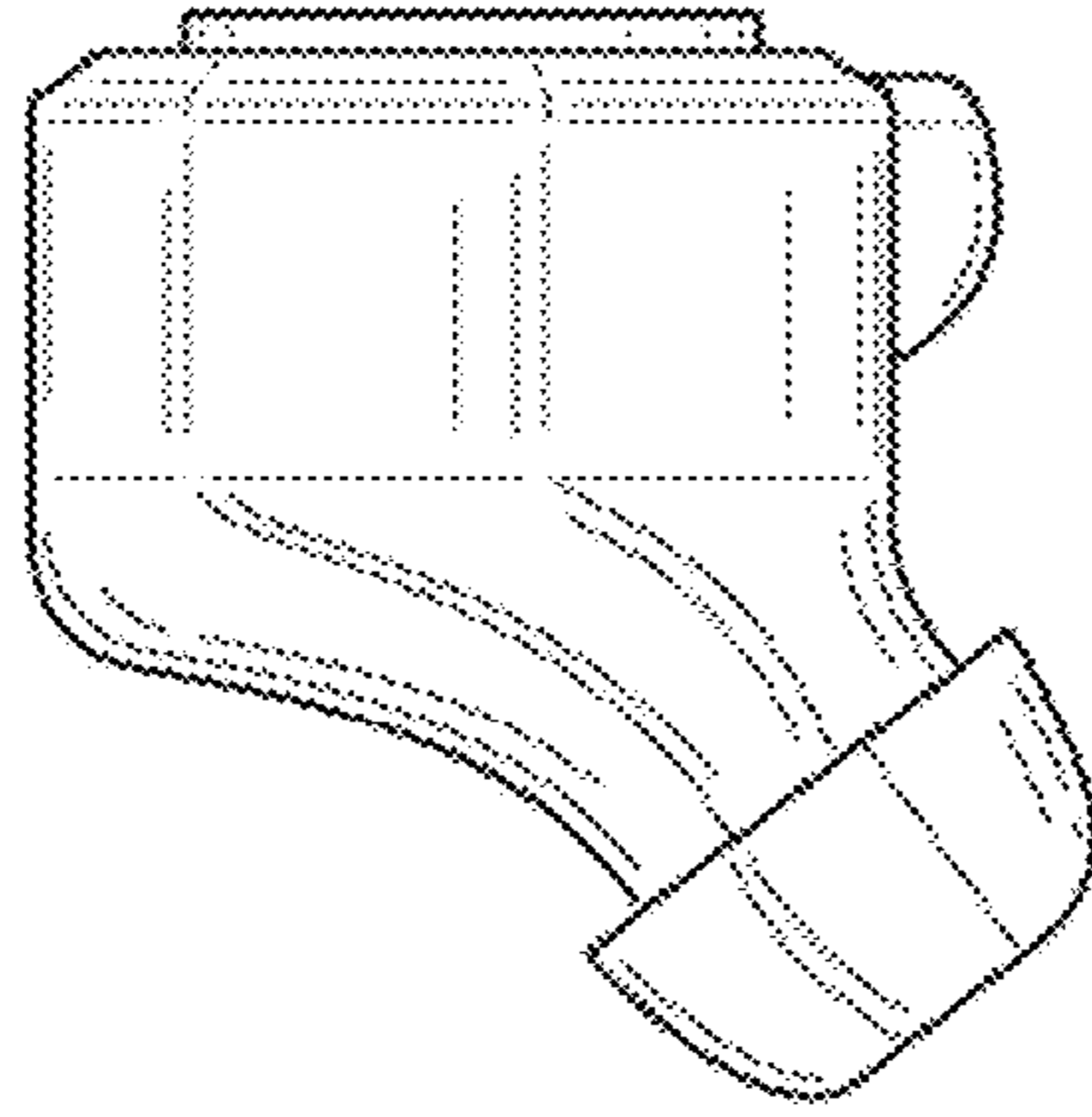


FIG. 8

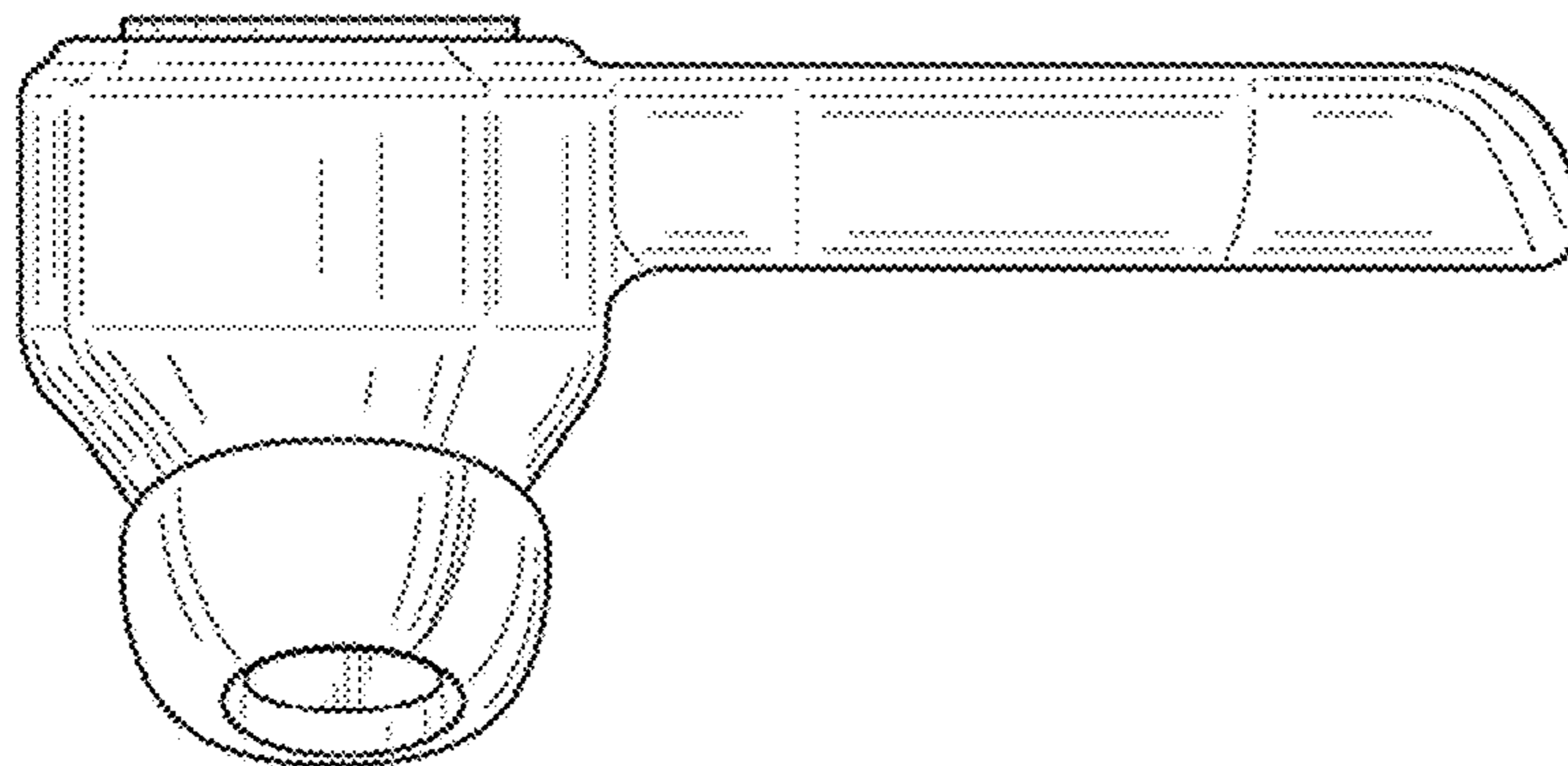


FIG. 9

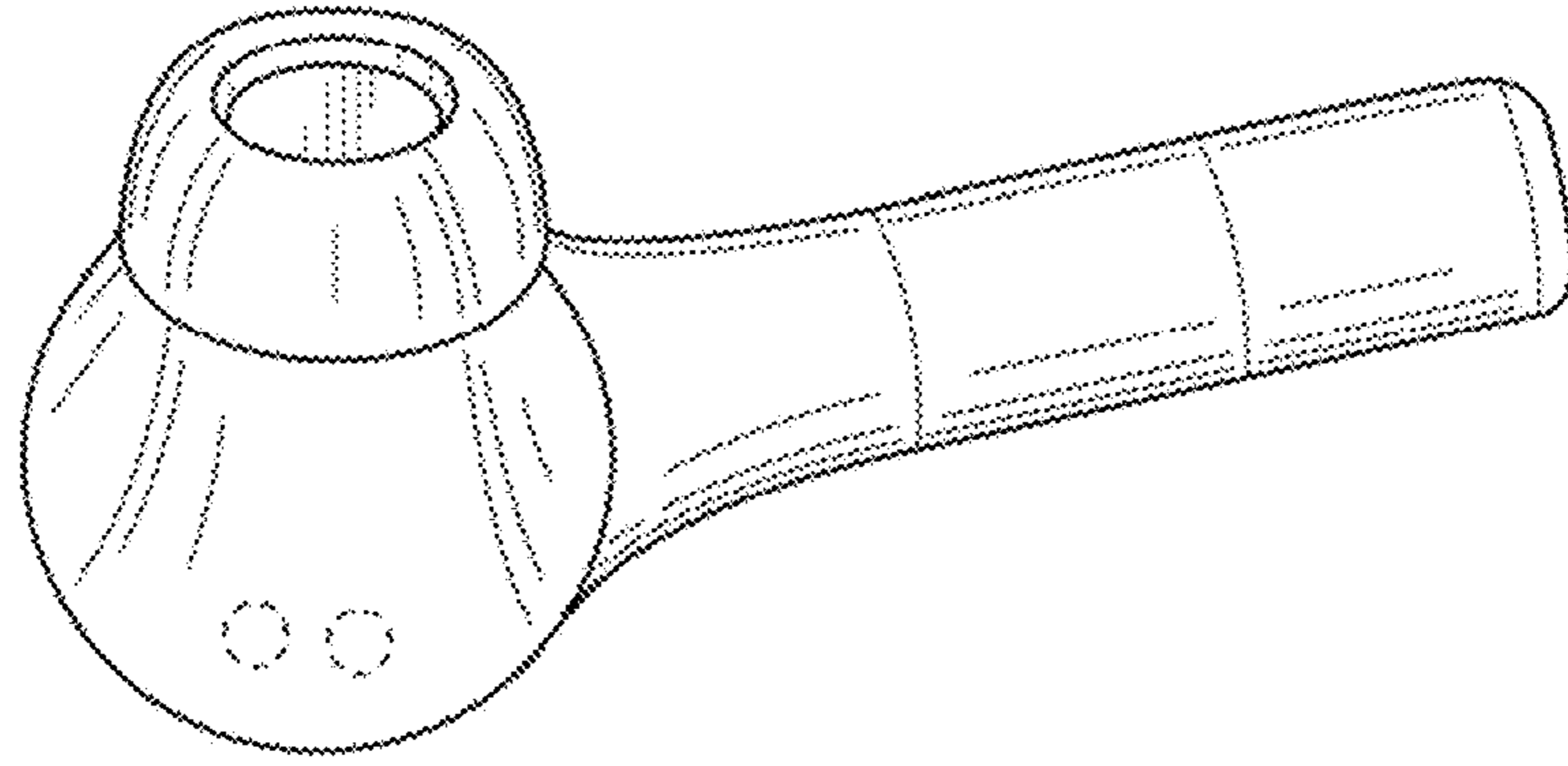


FIG. 10

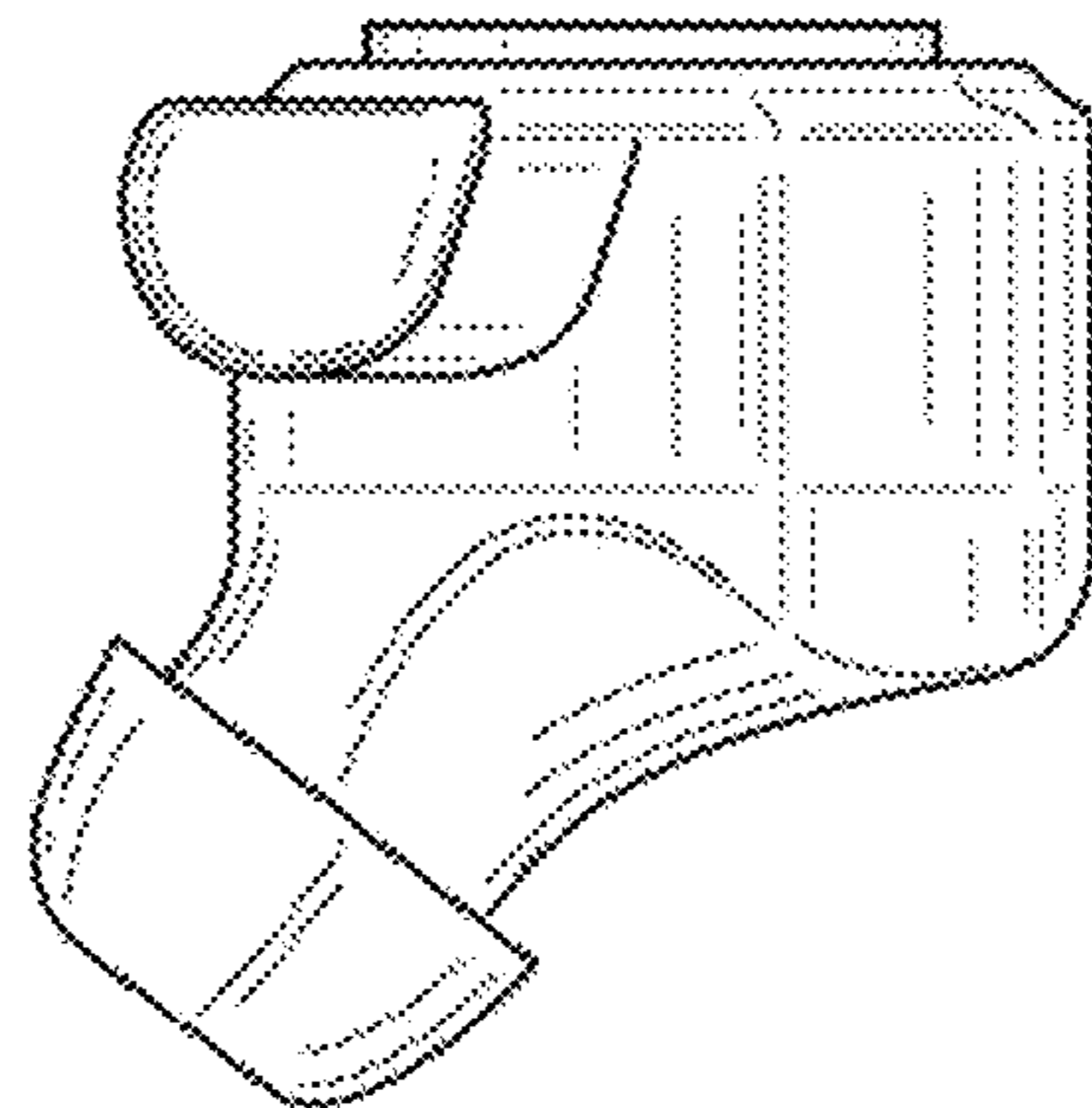


FIG. 11

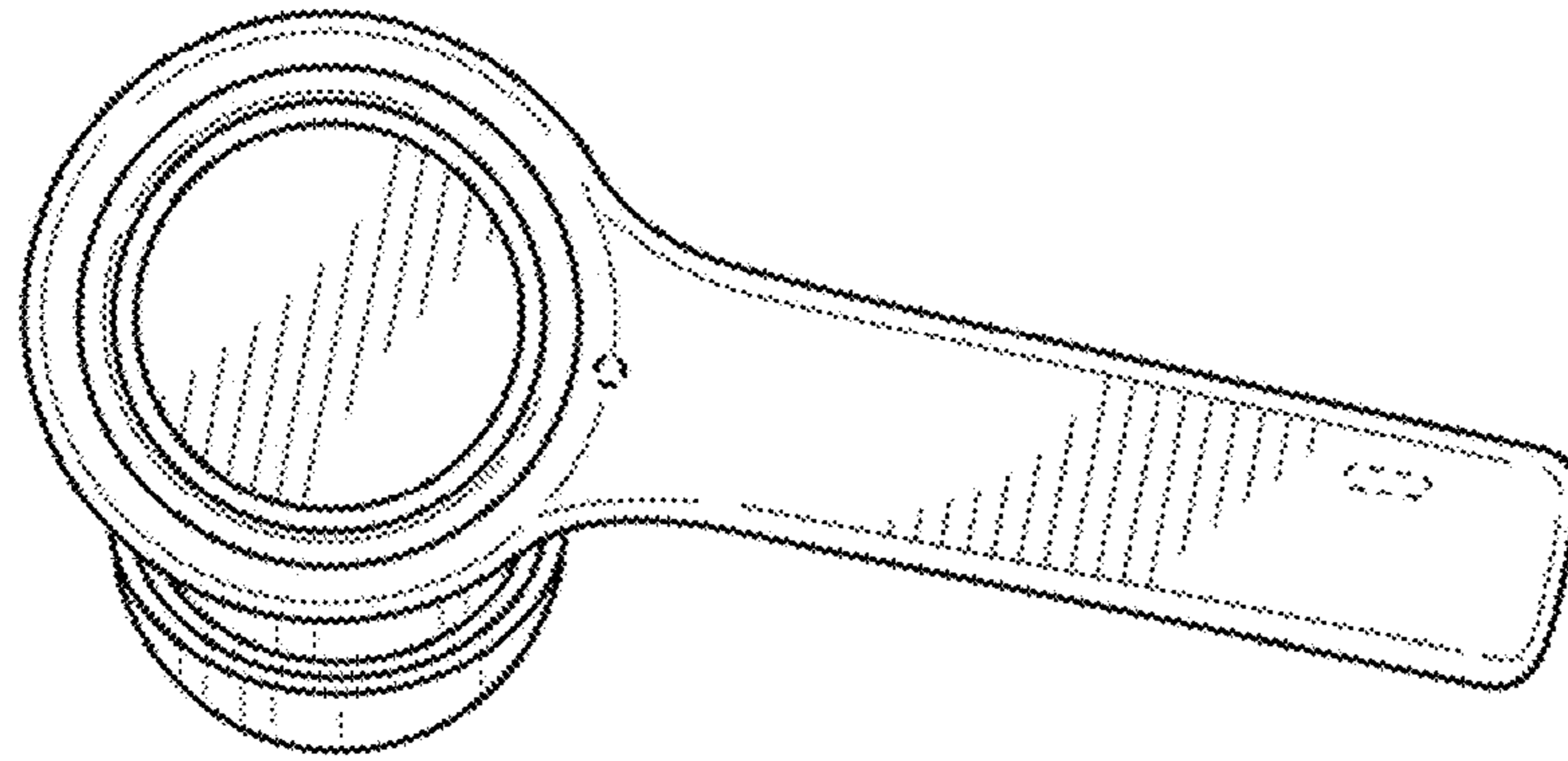


FIG. 12

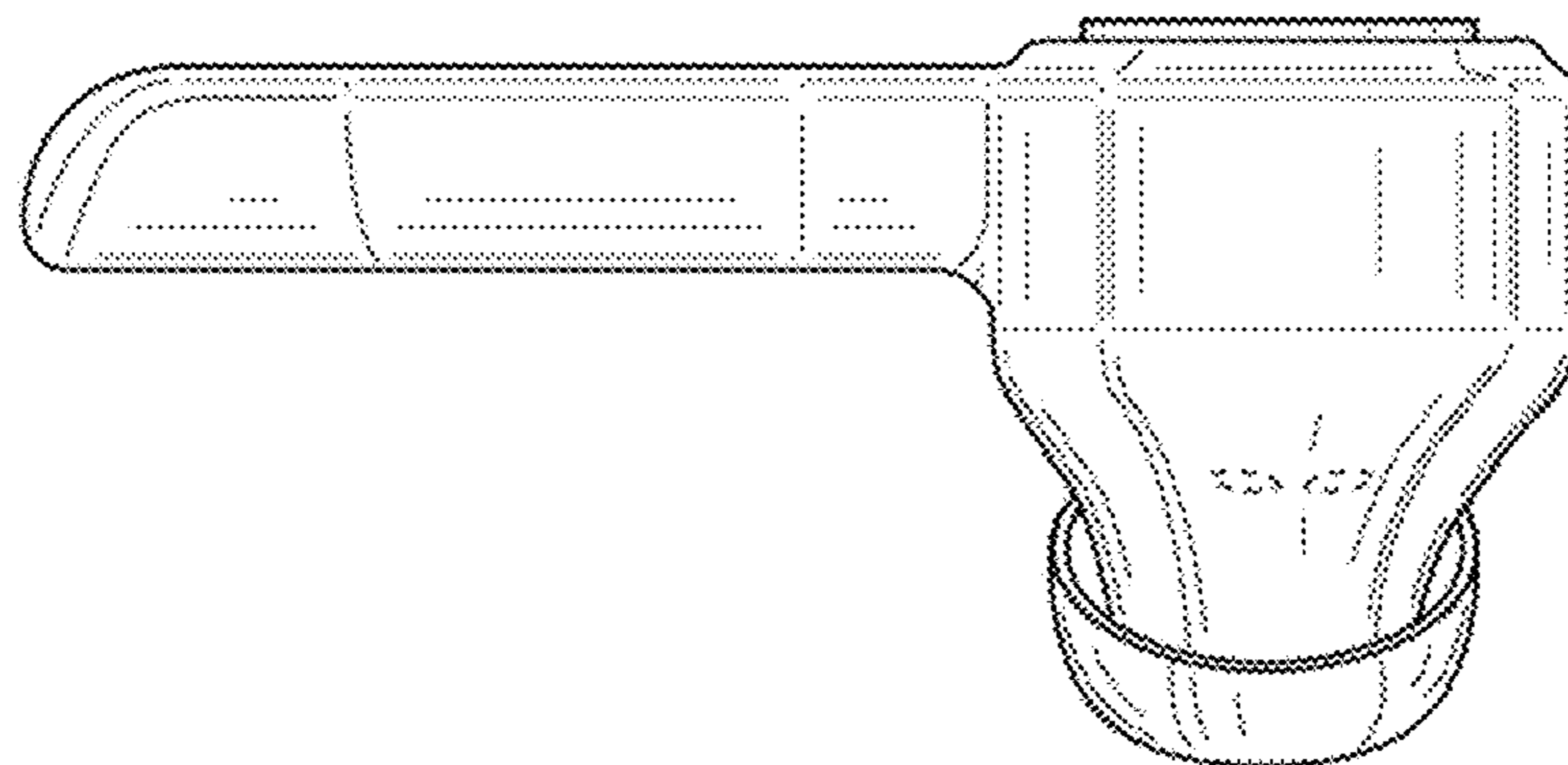


FIG. 13

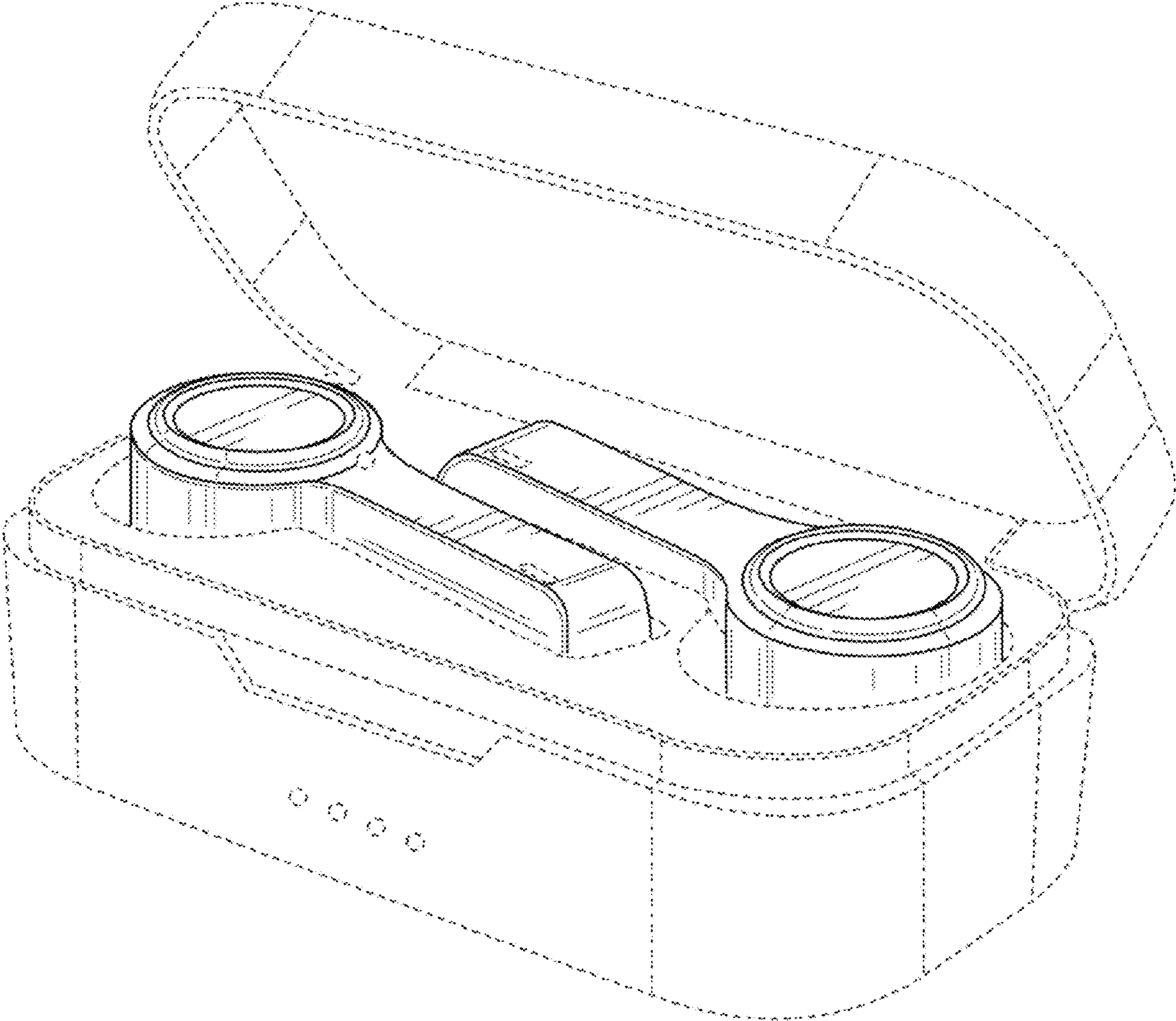


FIG. 14