



US00D967065S

(12) **United States Design Patent**  
**Ren et al.**

(10) **Patent No.:** **US D967,065 S**  
(45) **Date of Patent:** **\*\* Oct. 18, 2022**

(54) **EARPHONE**

(71) Applicants: **Anhui Huami Information Technology Co., Ltd.**, Anhui (CN); **Zepp, Inc.**, Cupertino, CA (US)

(72) Inventors: **Yuanyuan Ren**, Anhui (CN); **Yuan Li**, Anhui (CN); **Qianfu Huang**, Anhui (CN)

(73) Assignees: **Anhui Huami Information Technology Co., Ltd.**, Anhui (CN); **Zepp, Inc.**, Cupertino, CA (US)

(\*\*) Term: **15 Years**

(21) Appl. No.: **29/736,698**

(22) Filed: **Jun. 2, 2020**

(30) **Foreign Application Priority Data**

Dec. 27, 2019 (CN) ..... 201930734128.4

(51) **LOC (13) Cl.** ..... **14-01**

(52) **U.S. Cl.**  
USPC ..... **D14/223**

(58) **Field of Classification Search**  
USPC ... D14/205, 207, 217, 221, 223, 224, 224.1, D14/225; D24/173, 174

(Continued)

(56) **References Cited**

**U.S. PATENT DOCUMENTS**

D621,817 S \* 8/2010 Brickstad ..... D14/223  
D622,704 S \* 8/2010 Fahrendorff ..... D14/223

(Continued)

**FOREIGN PATENT DOCUMENTS**

CN 306189603 \* 11/2020  
CN 306189656 \* 11/2020

(Continued)

**OTHER PUBLICATIONS**

Amazfit Zen Buds, announced © 2021 [online], retrieved Sep. 8, 2021, retrieved from internet, <https://www.amazfit.com/en/zenbuds>.  
\*

(Continued)

*Primary Examiner* — Messina L Smith  
(74) *Attorney, Agent, or Firm* — Young Basile Hanlon & MacFarlane, P.C.

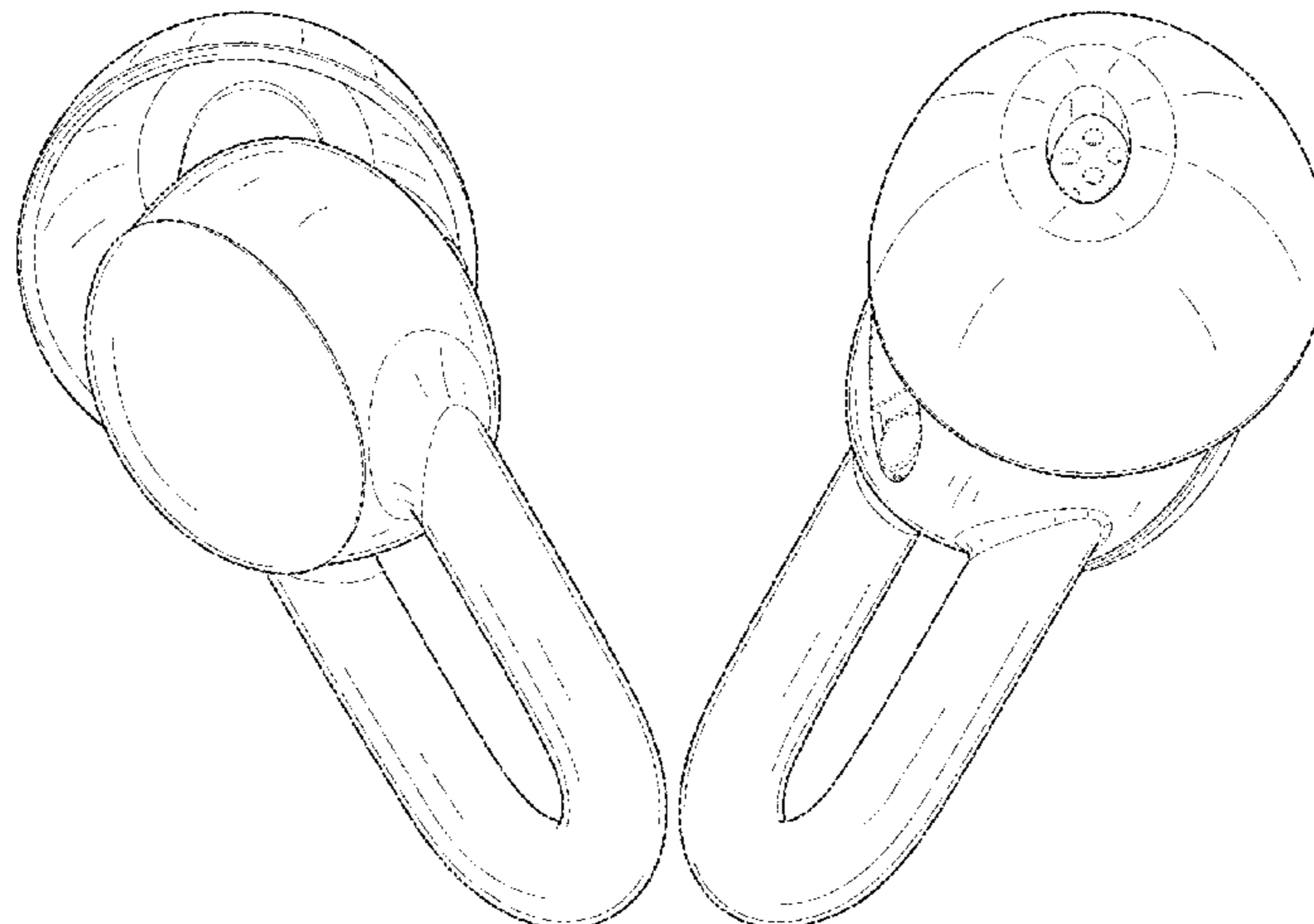
(57) **CLAIM**

The ornamental design for an earphone, as shown and described.

**DESCRIPTION**

FIG. 1 is a top, front, and right perspective view of a first embodiment of an earphone showing our new design.  
FIG. 2 is a bottom, rear, and left perspective view of the earphone of FIG. 1.  
FIG. 3 is a front view of the earphone of FIG. 1.  
FIG. 4 is a rear view of the earphone of FIG. 1.  
FIG. 5 is a left side view of the earphone of FIG. 1.  
FIG. 6 is a right side view of the earphone of FIG. 1.  
FIG. 7 is a top view of the earphone of FIG. 1.  
FIG. 8 is a bottom view of the earphone of FIG. 1.  
FIG. 9 is a top, front, and right perspective view of a second embodiment of the earphone.  
FIG. 10 is a bottom, rear, and left perspective view of the earphone of FIG. 9.  
FIG. 11 is a front view of the earphone of FIG. 9.  
FIG. 12 is a rear view of the earphone of FIG. 9.  
FIG. 13 is a left side view of the earphone of FIG. 9.  
FIG. 14 is a right side view of the earphone of FIG. 9.  
FIG. 15 is a top view of the earphone of FIG. 9; and, FIG. 16 is a bottom view of the earphone of FIG. 9.  
The ornamental design which is claimed is shown in solid lines in the drawings. The broken lines in the drawings depict portions of the earphone that form no part of the

(Continued)



claimed design. The shade lines in the figures show contour, not surface ornamentation and form no part of the claimed design.

**1 Claim, 8 Drawing Sheets**

(58) **Field of Classification Search**

CPC ..... H04R 1/10; H04R 1/1016; H04R 1/1066;  
H04R 1/105; H04R 1/1033; H04R 1/08;  
H04R 5/033; H04R 5/0335; H04R 25/00

See application file for complete search history.

(56) **References Cited**

U.S. PATENT DOCUMENTS

D681,602	S	*	5/2013	Koch	.....	D14/205
D699,215	S	*	2/2014	Koch	.....	D14/205
D735,698	S	*	8/2015	Karrman	.....	D14/223
D816,060	S	*	4/2018	Wei	.....	D14/205
D822,636	S	*	7/2018	Liu	.....	D14/205
D828,826	S	*	9/2018	Schaal	.....	D14/223
D840,372	S	*	2/2019	Carr	.....	D14/205
D863,261	S	*	10/2019	Zhu	.....	D14/223
D867,326	S	*	11/2019	Sweet	.....	D14/205
D870,695	S	*	12/2019	Min	.....	D14/205
D881,849	S	*	4/2020	Aoyagi	.....	D14/223
D900,066	S	*	10/2020	Park	.....	D14/223
D907,597	S	*	1/2021	Jung	.....	D14/205
D909,346	S	*	2/2021	Wang	.....	D14/223
D914,636	S	*	3/2021	Xiao	.....	D14/205
D916,684	S	*	4/2021	Fang	.....	D14/223
D917,426	S	*	4/2021	Yang	.....	D14/223
D918,182	S	*	5/2021	Chen	.....	D14/223
D920,289	S	*	5/2021	Schaal	.....	D14/223
D920,293	S	*	5/2021	Chen	.....	D14/223
D922,984	S	*	6/2021	Li	.....	D14/223
D928,126	S	*	8/2021	Chen	.....	D14/223

2016/0037248	A1*	2/2016	Cheng	.....	H04R 1/105 381/74
2018/0132031	A1*	5/2018	Seo	.....	A61B 5/6802
2020/0219525	A1*	7/2020	Moon	.....	G10L 19/08
2020/0413456	A1*	12/2020	Chen	.....	H04R 5/04

FOREIGN PATENT DOCUMENTS

CN	306196585	*	11/2020
EM	007565015-0001	*	1/2020
EM	007992052-0001	*	6/2020
JP	1648509 S		12/2019

OTHER PUBLICATIONS

Amazfit Zenbuds Smart Sleep Earbuds, announced © Sep. 16, 2020 [online], retrieved Sep. 8, 2021, retrieved from internet, <https://www.amazon.com/Amazfit-Blocking-Soothing-Comfortable-Detection/dp/B08H555KLLK>.\*

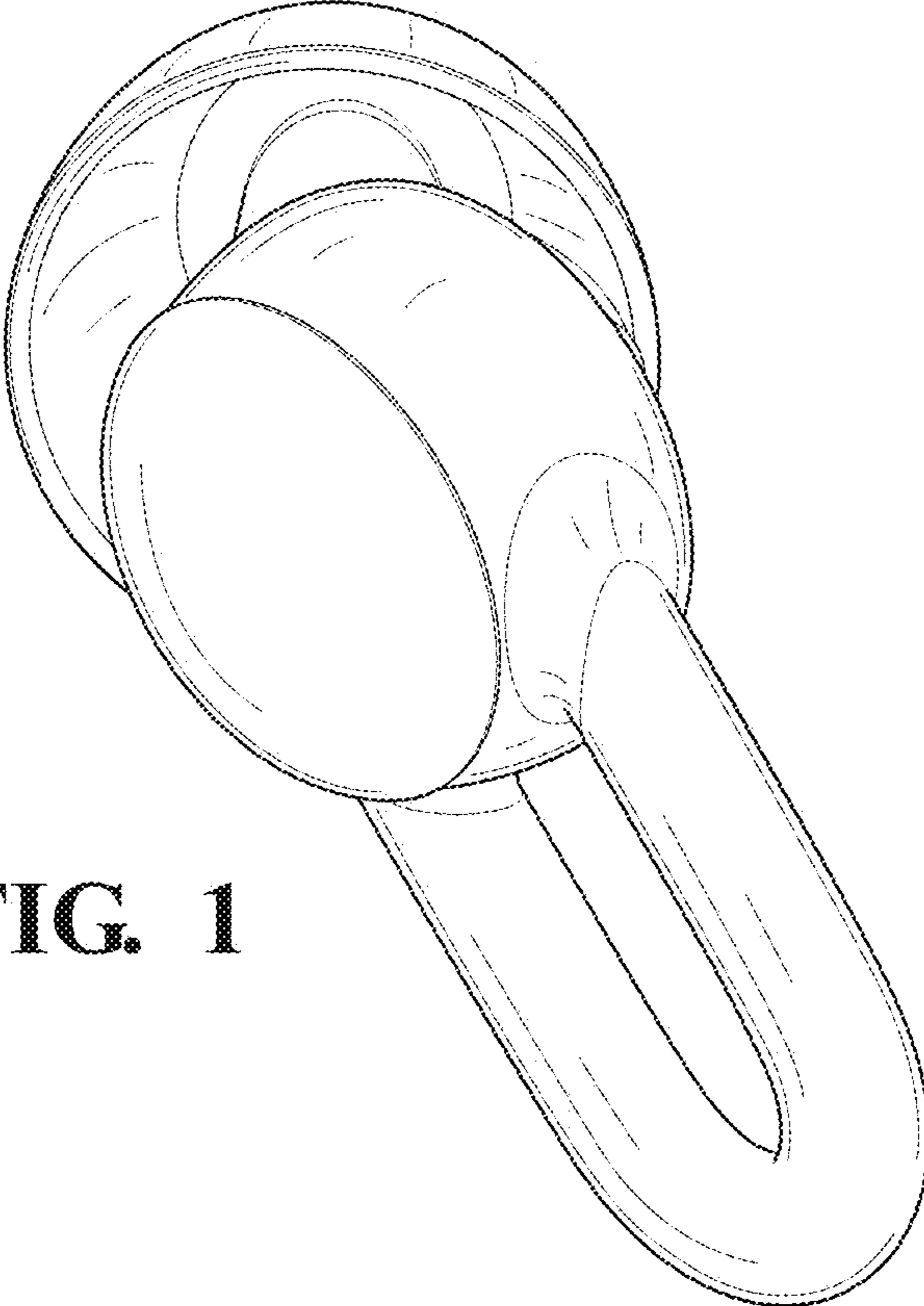
Amazfit Xiaomi ZenBuds, announced © 2021 [online], retrieved Sep. 8, 2021, retrieved from internet, <https://hifigo.com/products/amazfit-xiaomi-zenbuds-tws-bluetooth-earbuds-heart-rate-monitoring-earphone>.\*

MPOW Swift Bluetooth 4.0 Headphones review, announced Apr. 29, 2015 [online], retrieved Sep. 8, 2021, retrieved from internet, <https://the-gadgeteer.com/2015/04/29/mpow-swift-bluetooth-4-0-headphones-review/>.\*

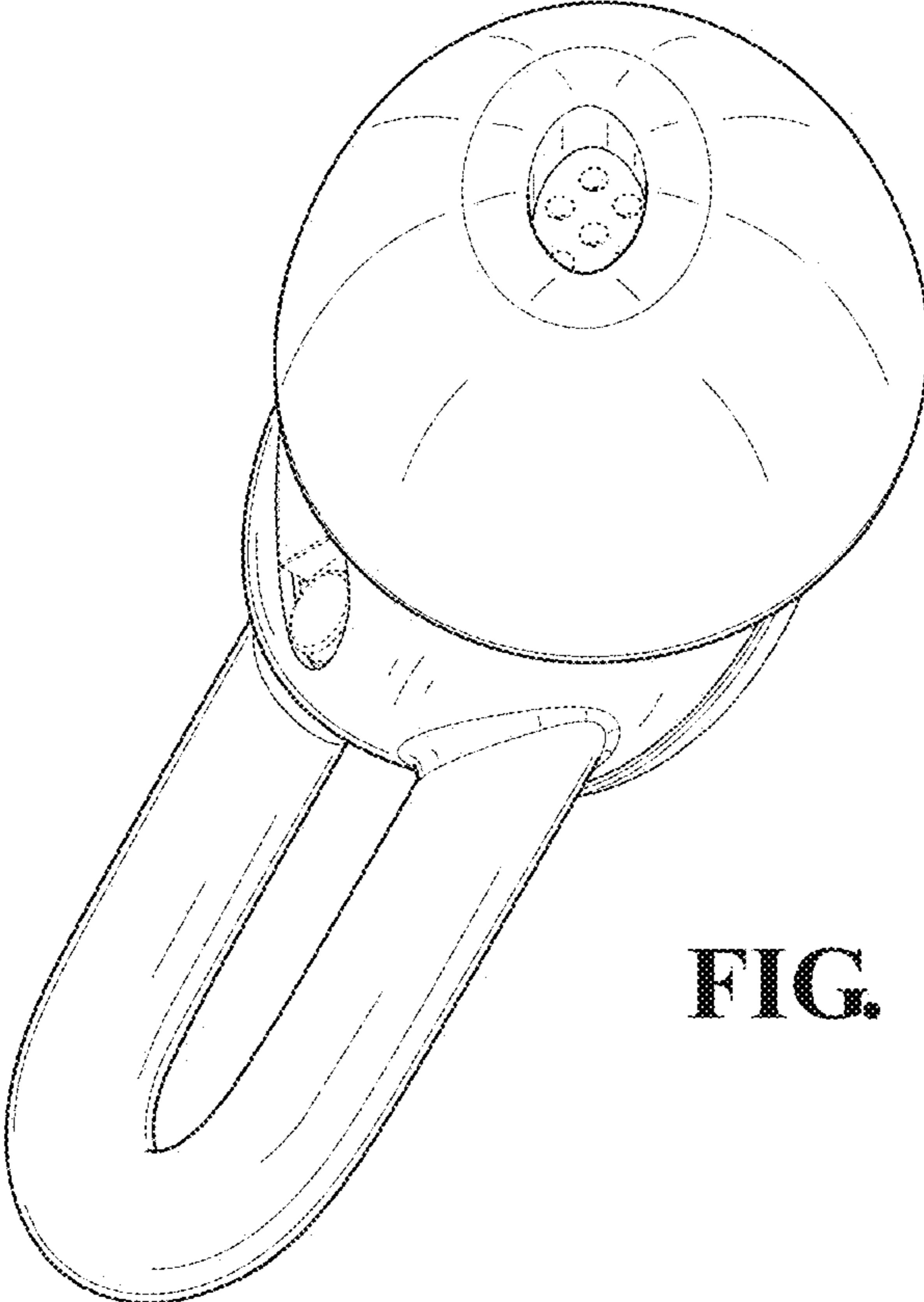
Google Pixel Usb-C Earbuds Review, announced Oct. 17, 2018 [online], retrieved Sep. 8, 2021, retrieved from internet, <https://www.theverge.com/2018/10/17/17988574/google-pixel-usb-c-earbuds-review-assistant-headphones>.\*

Giveaway—Win a X-CAM Sight2 2Axis Bluetooth Stabilizer, announced Nov. 20, 2018 [online], retrieved Sep. 8, 2021, retrieved from internet, <https://www.gizmochina.com/2018/11/20/giveaway-win-a-x-cam-sight2-2axis-bluetooth-stabilizer-a-xiaomi-youth-wireless-bluetooth-earphone-and-a-xiaomi-10000mah-power-bankrespectively-3-lucky-readers/>.\*

\* cited by examiner

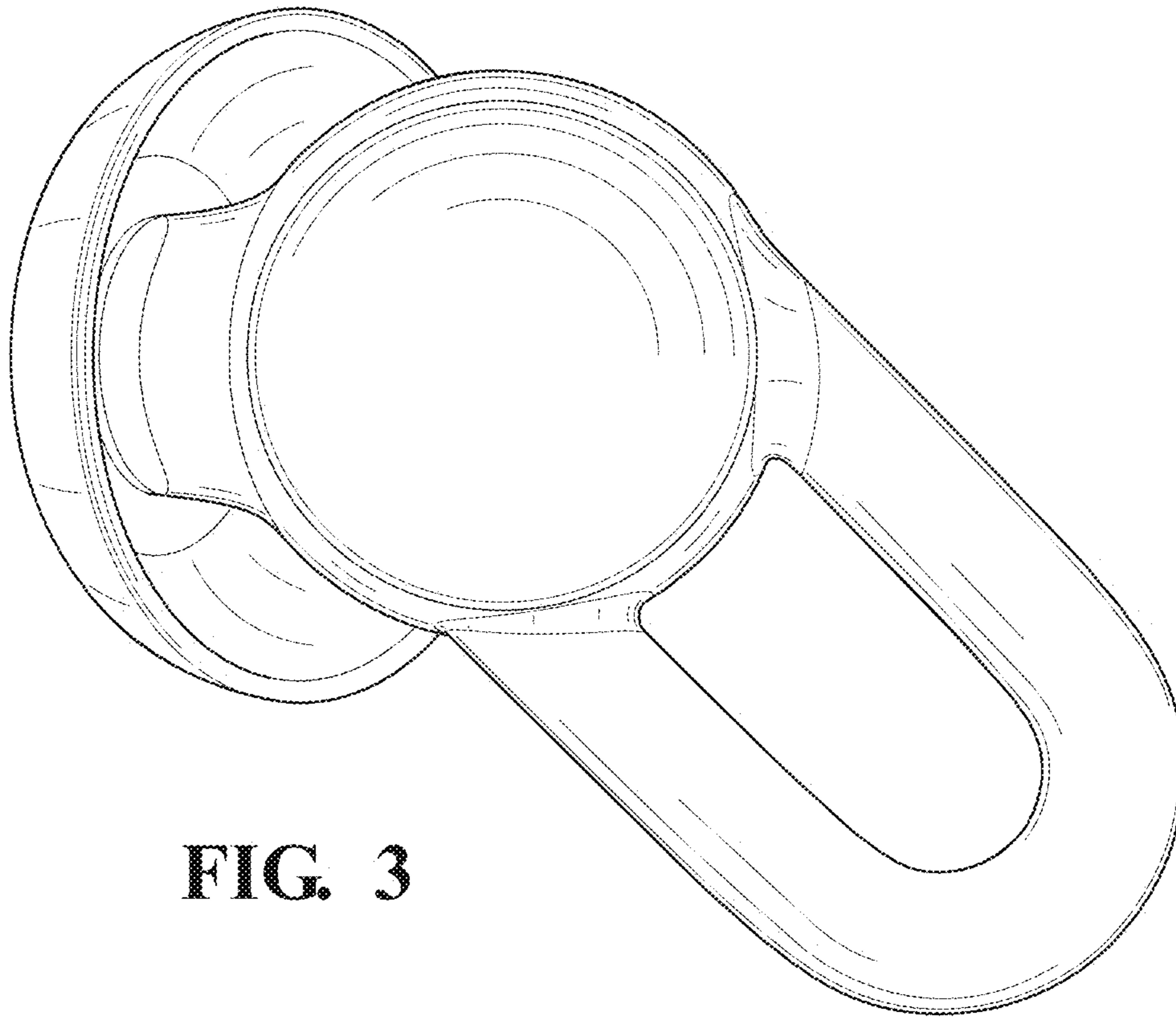


**FIG. 1**

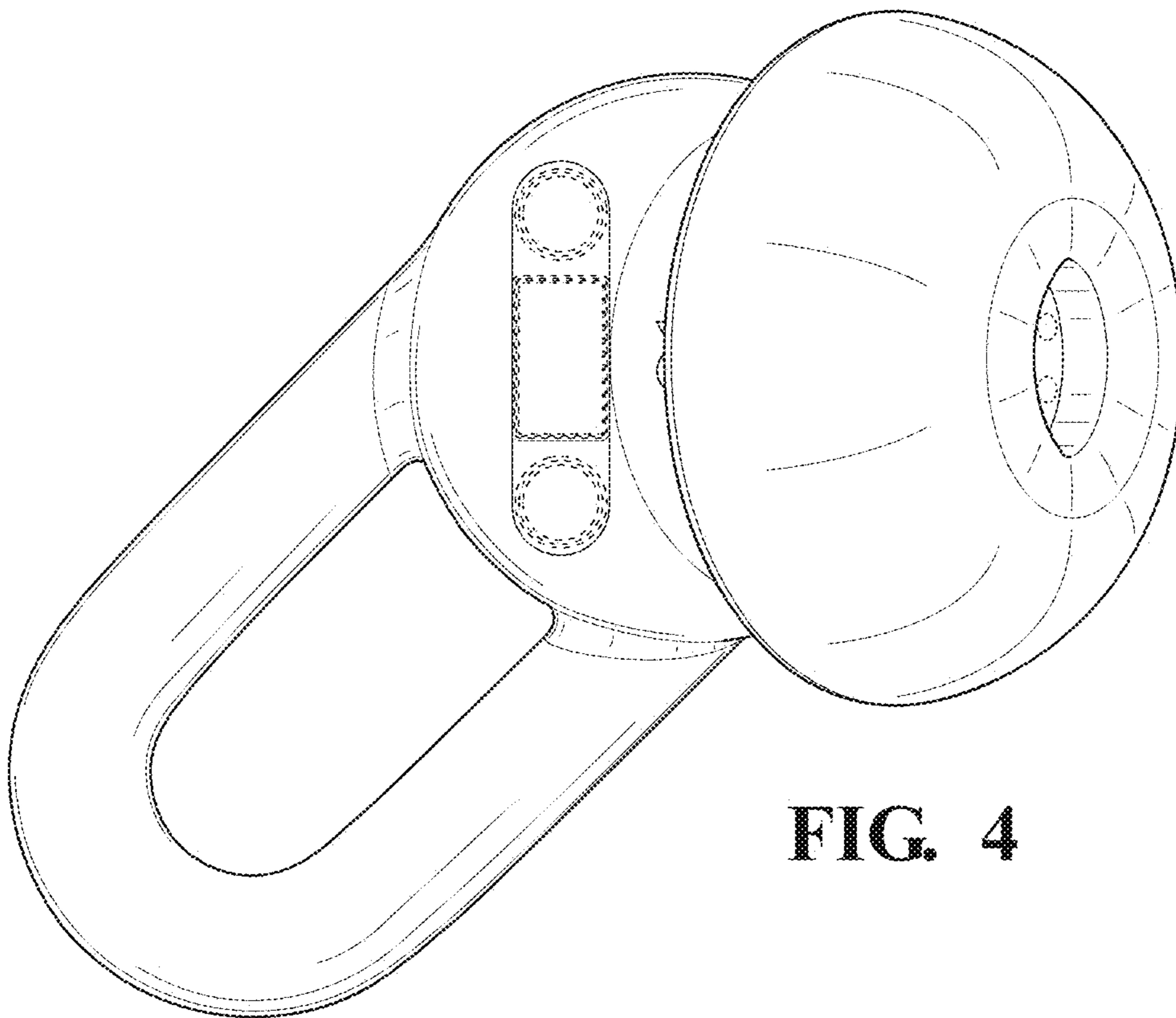


**FIG. 2**

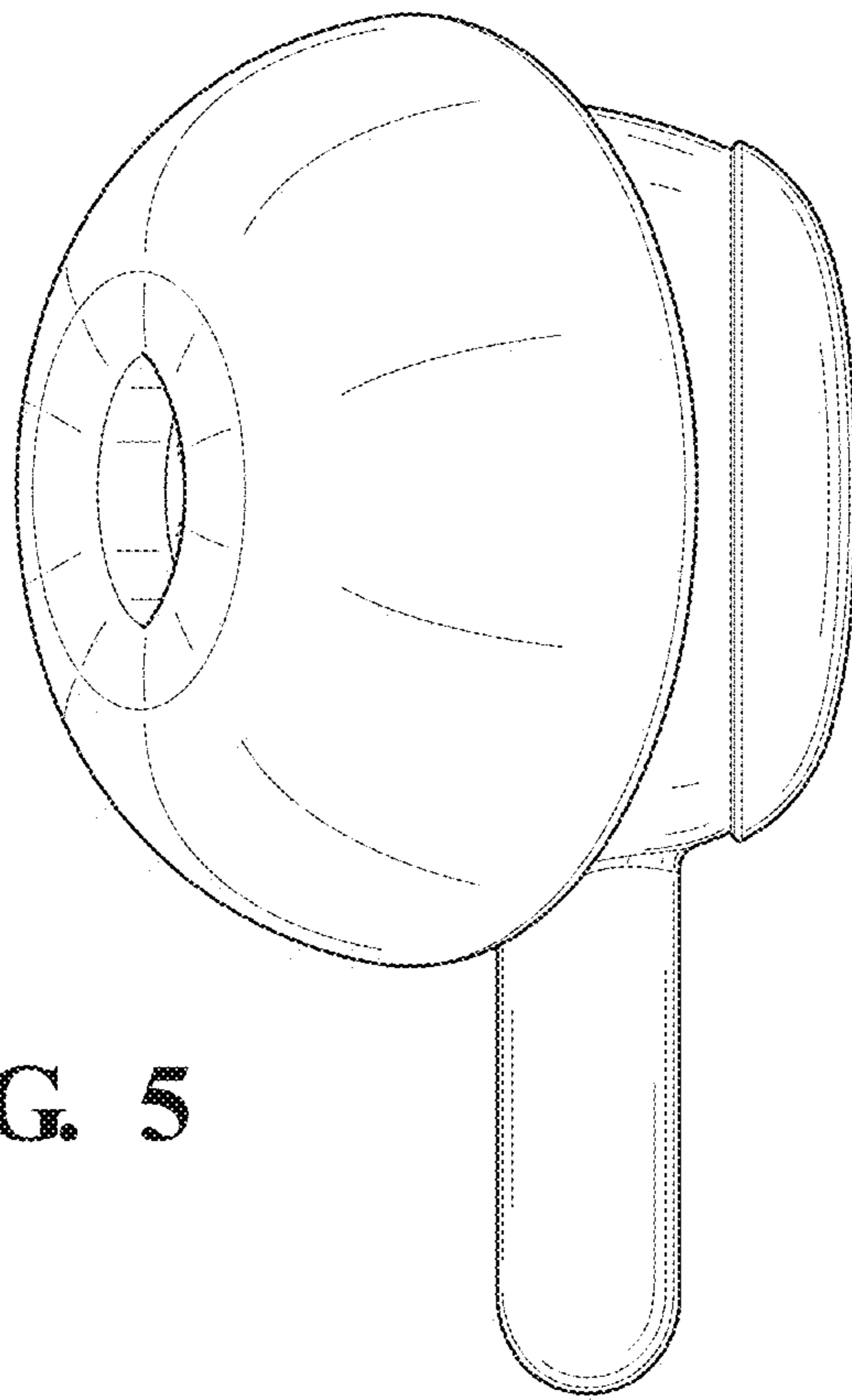




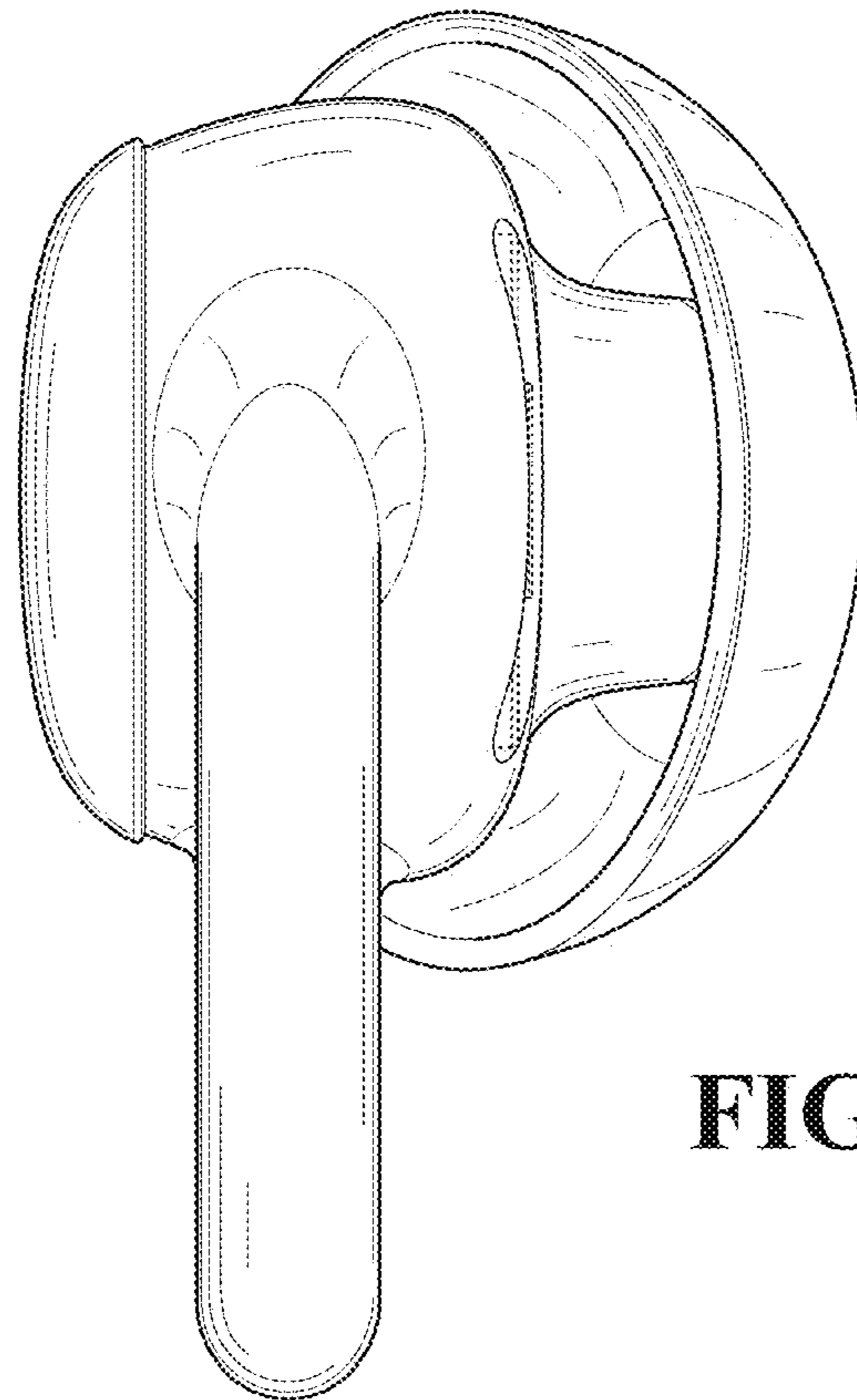
**FIG. 3**



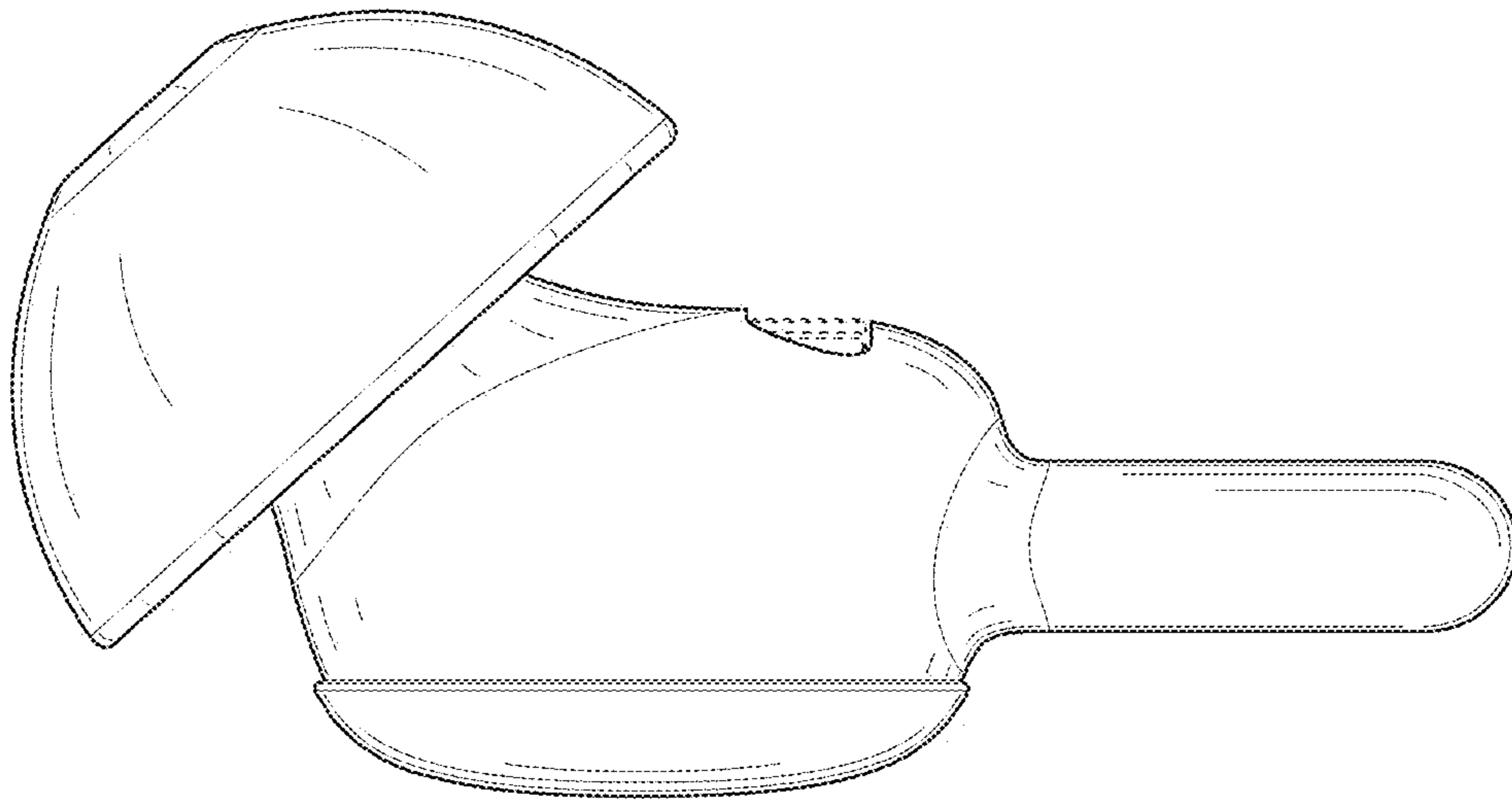
**FIG. 4**



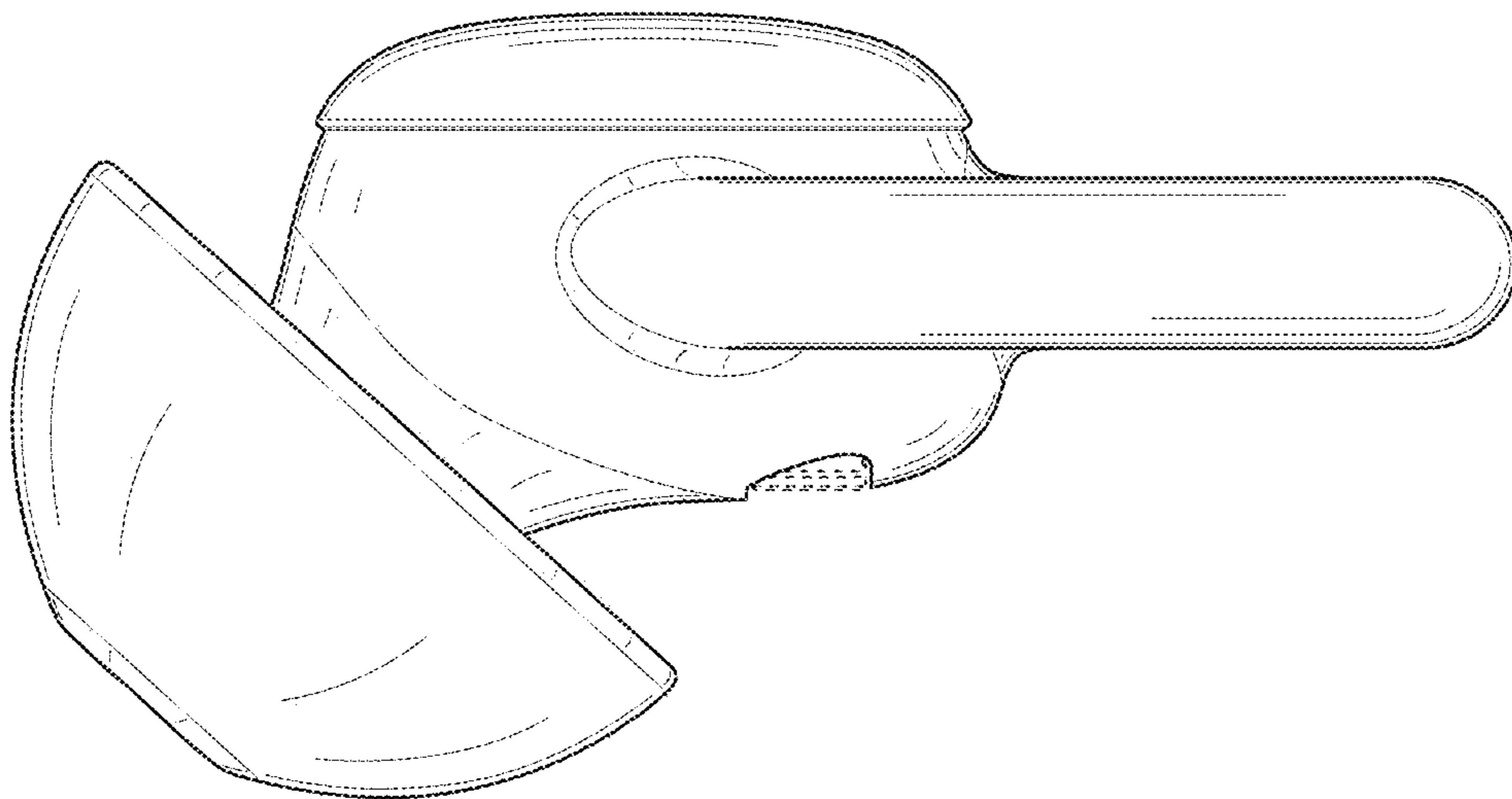
**FIG. 5**



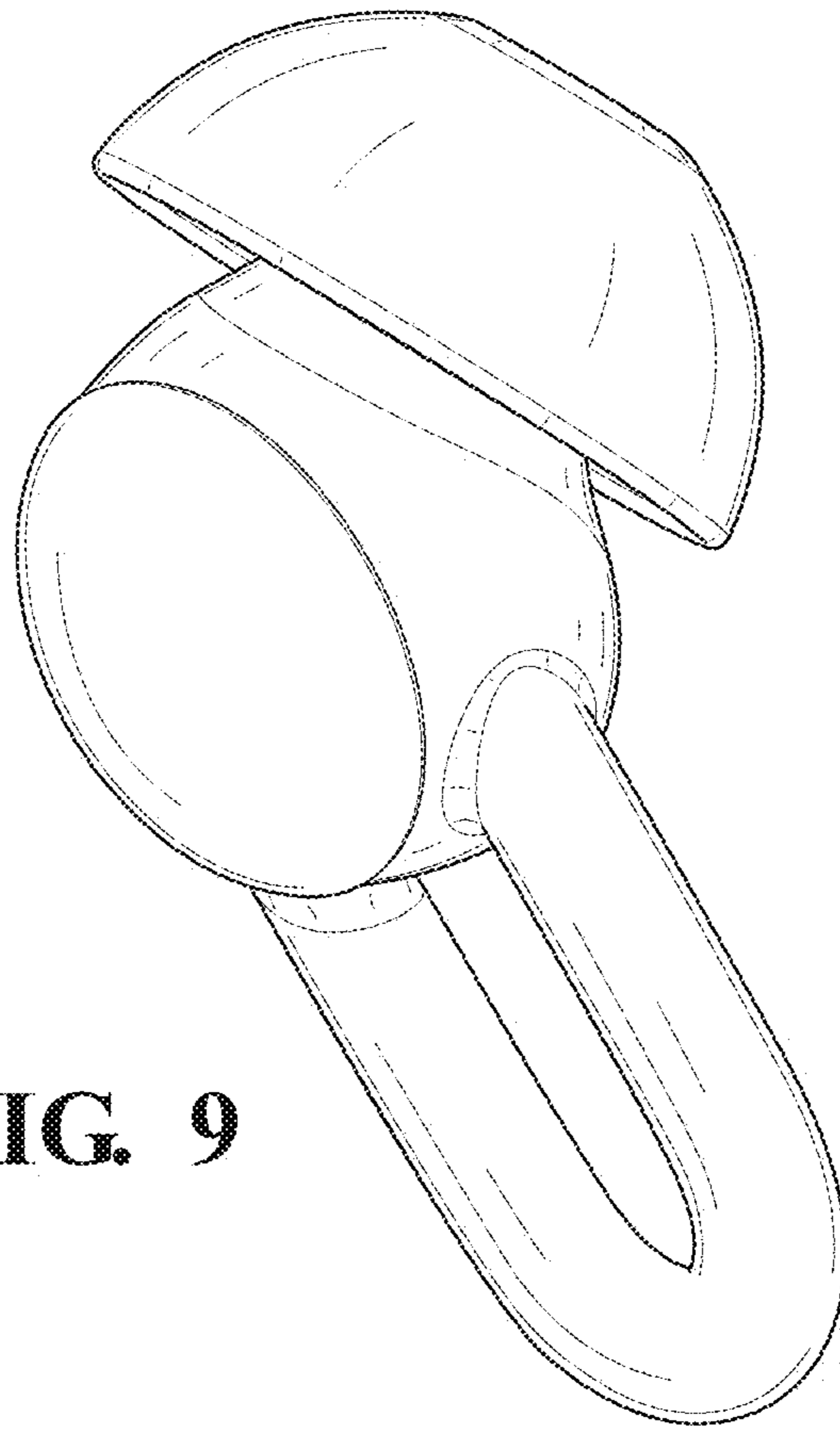
**FIG. 6**



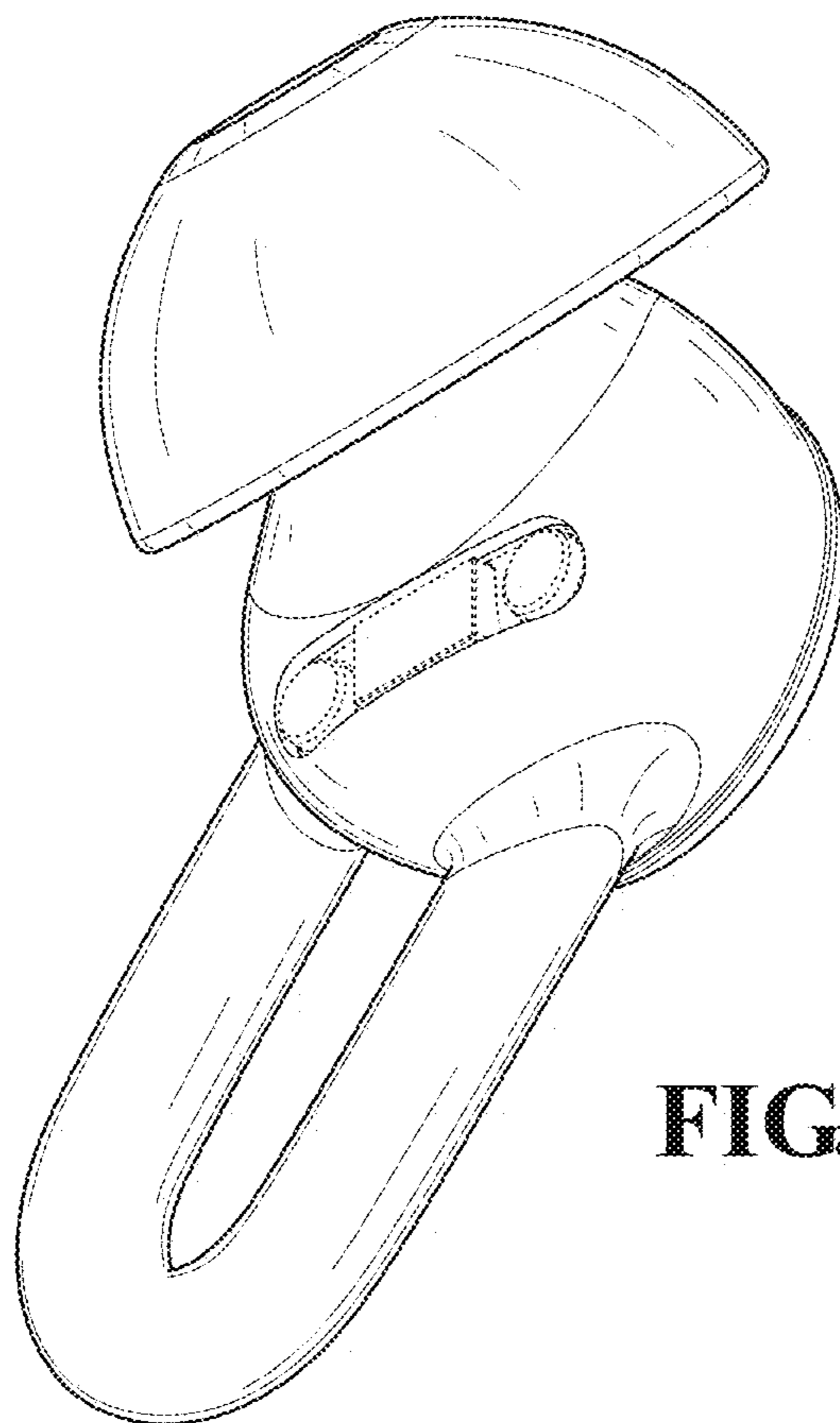
**FIG. 7**



**FIG. 8**

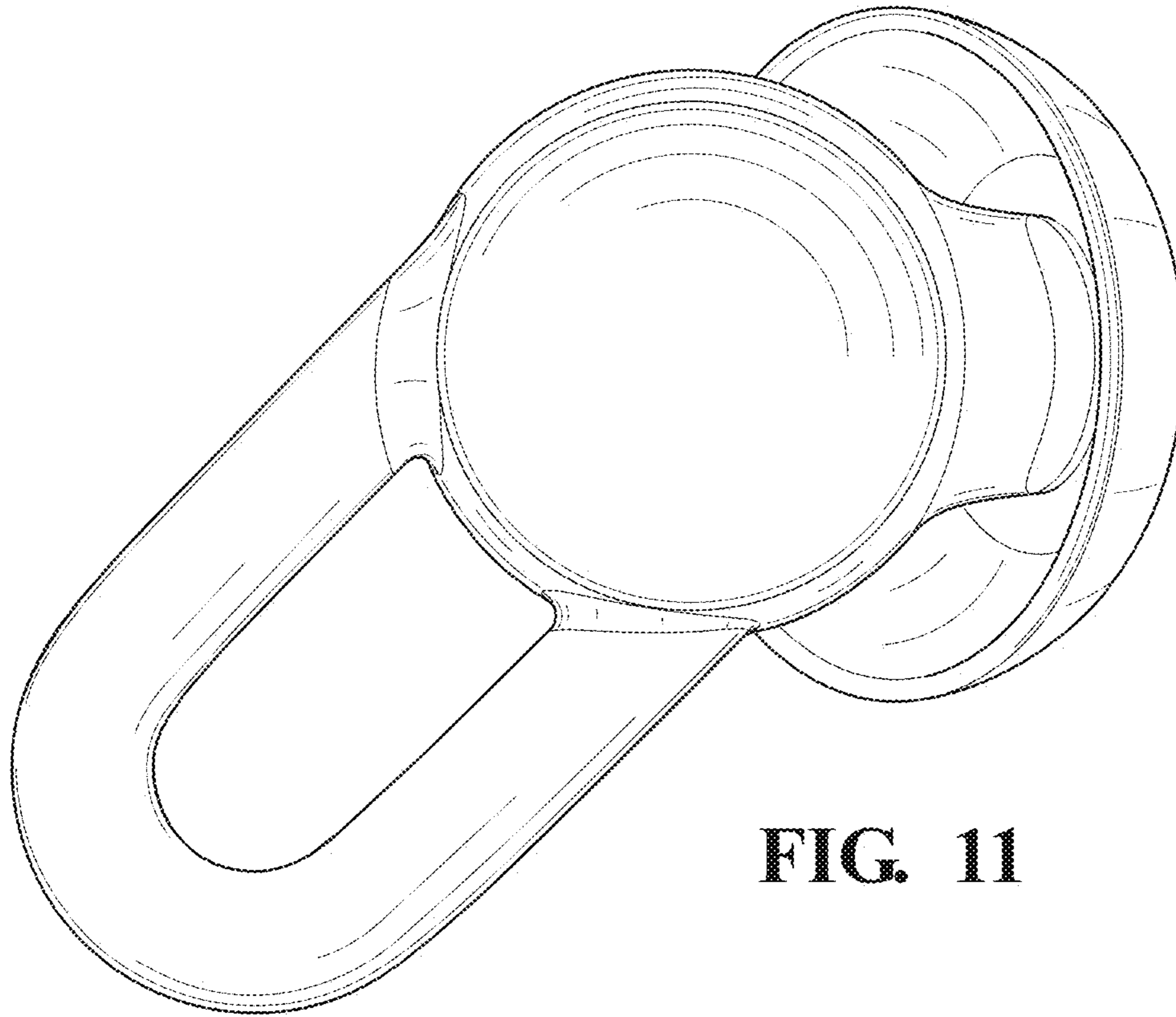


**FIG. 9**

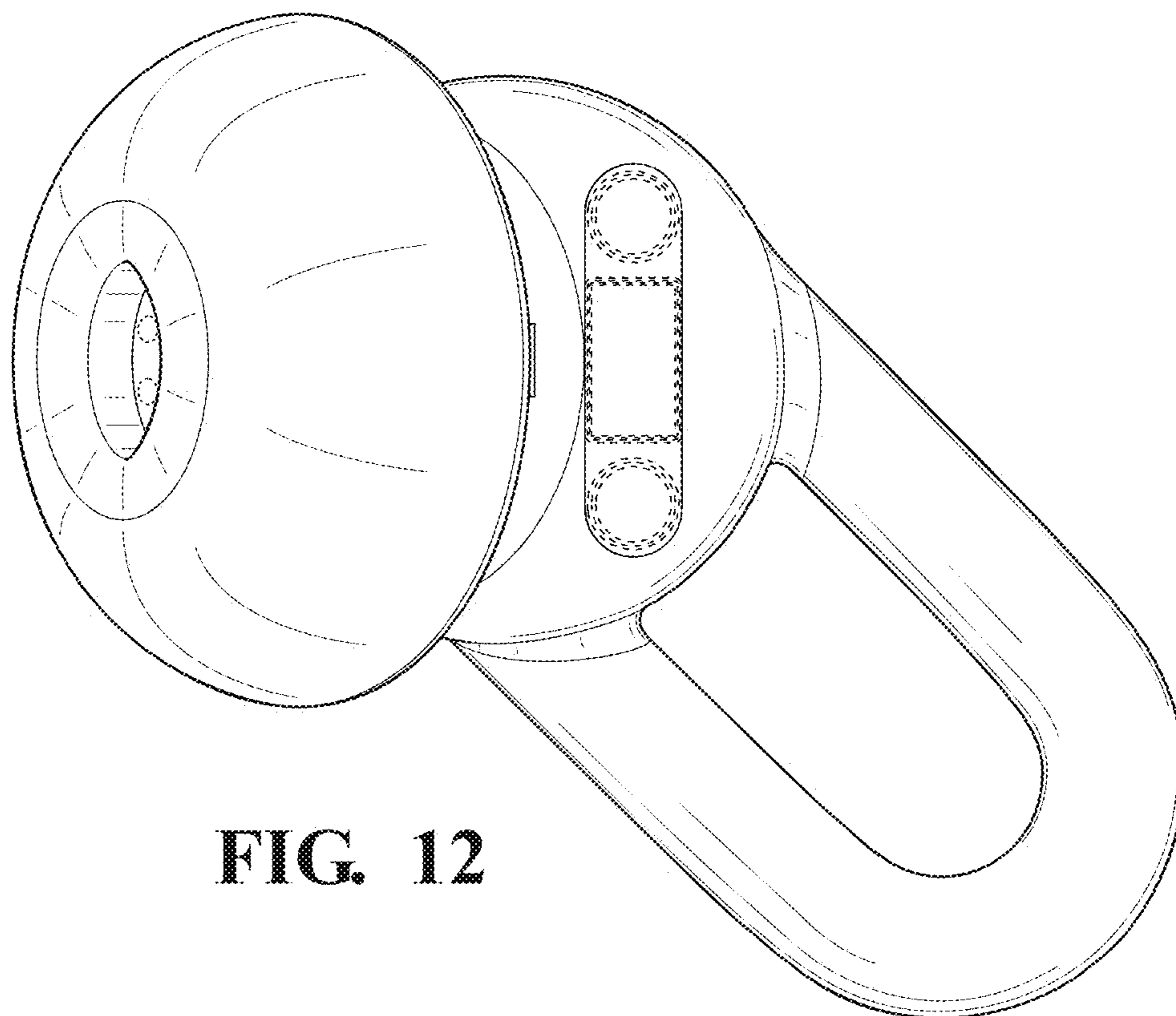


**FIG. 10**



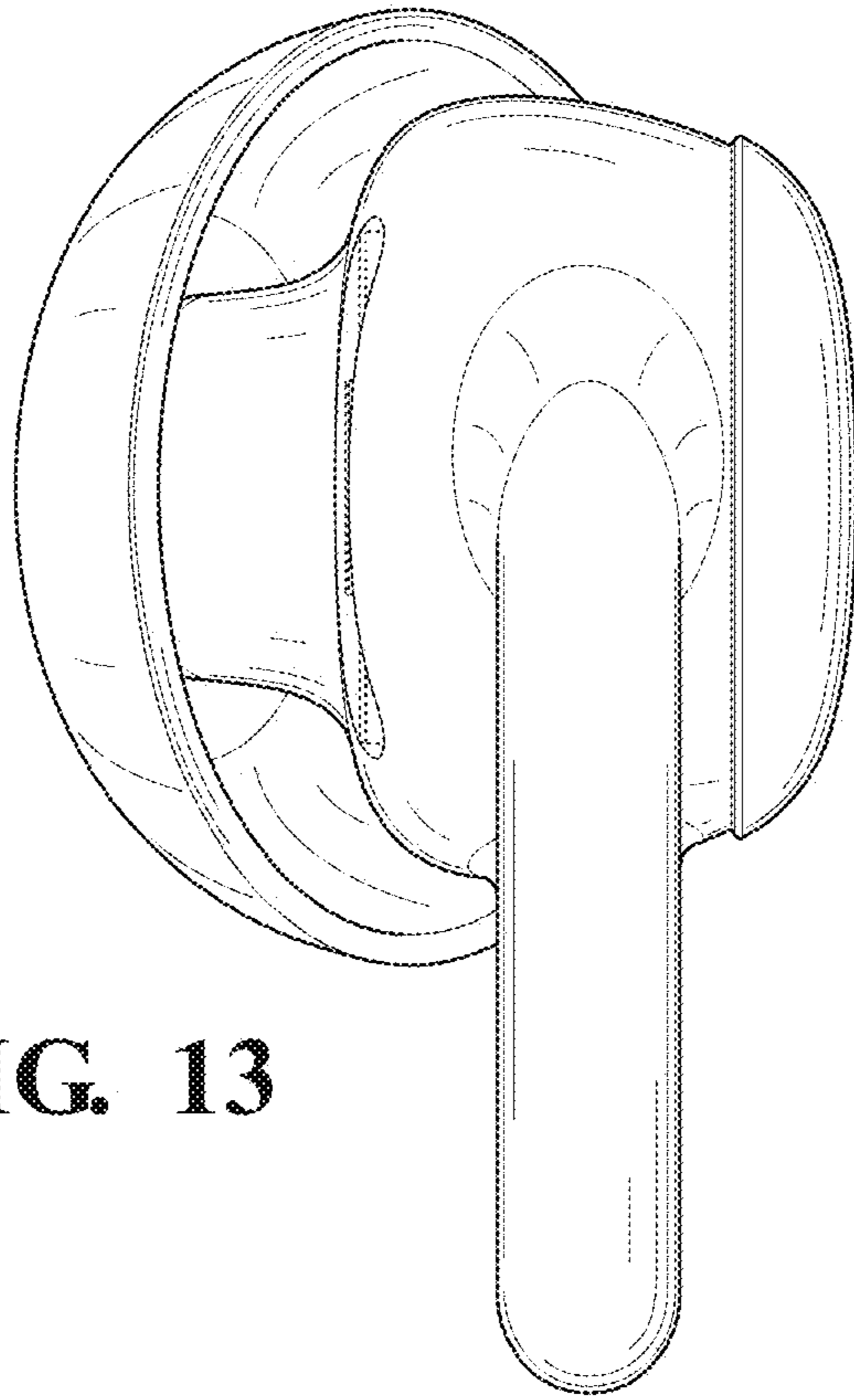


**FIG. 11**

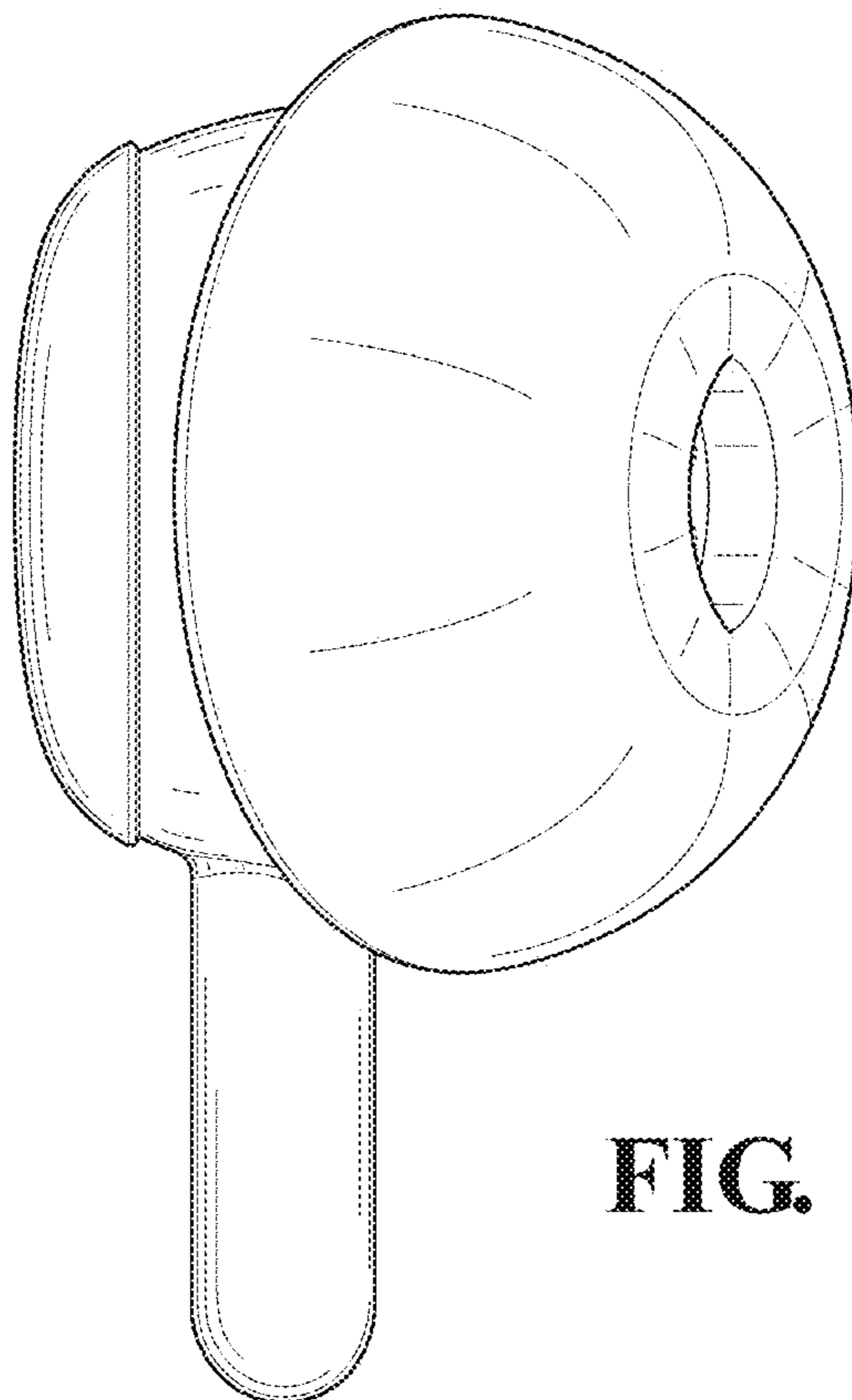


**FIG. 12**

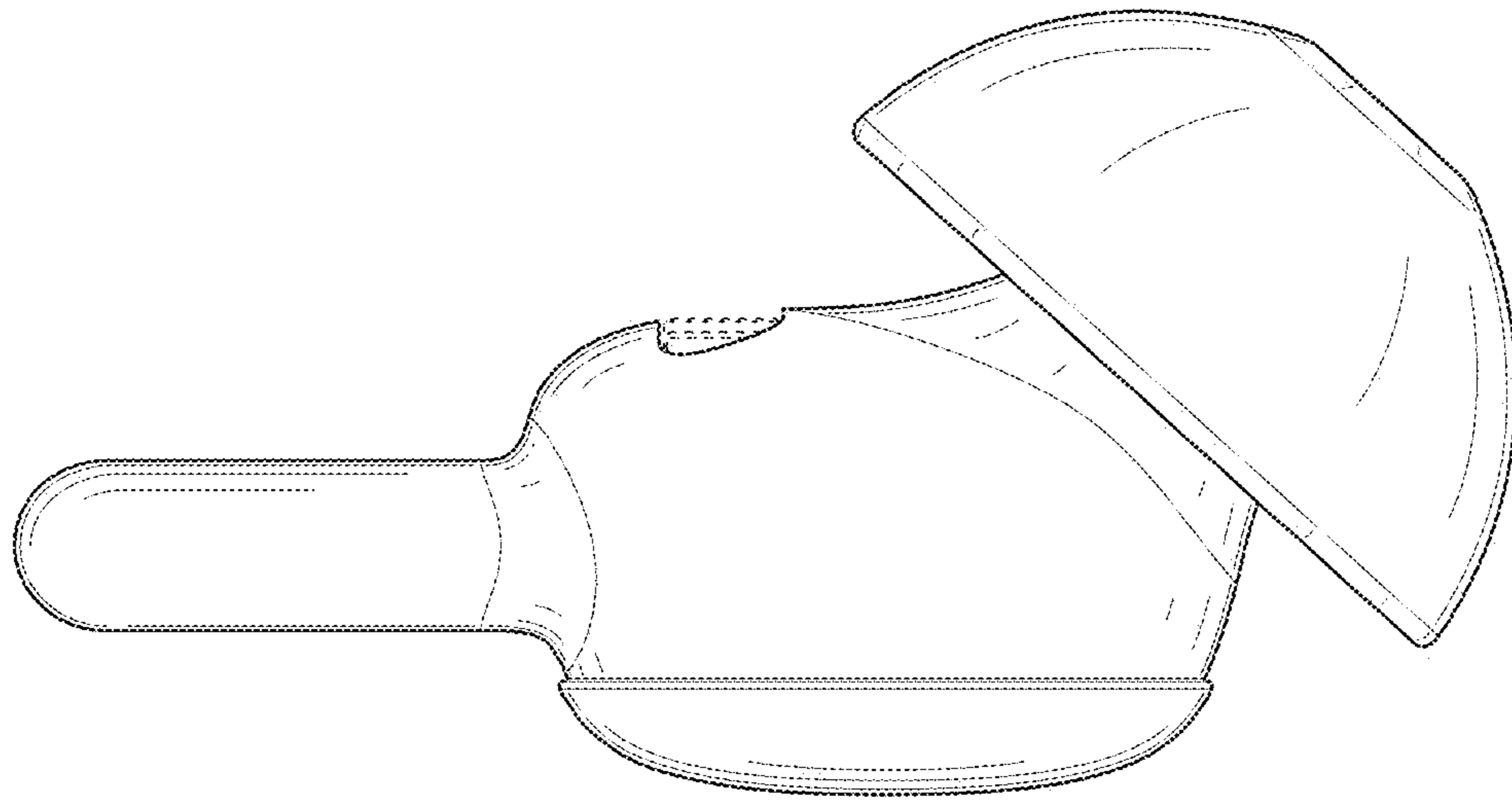




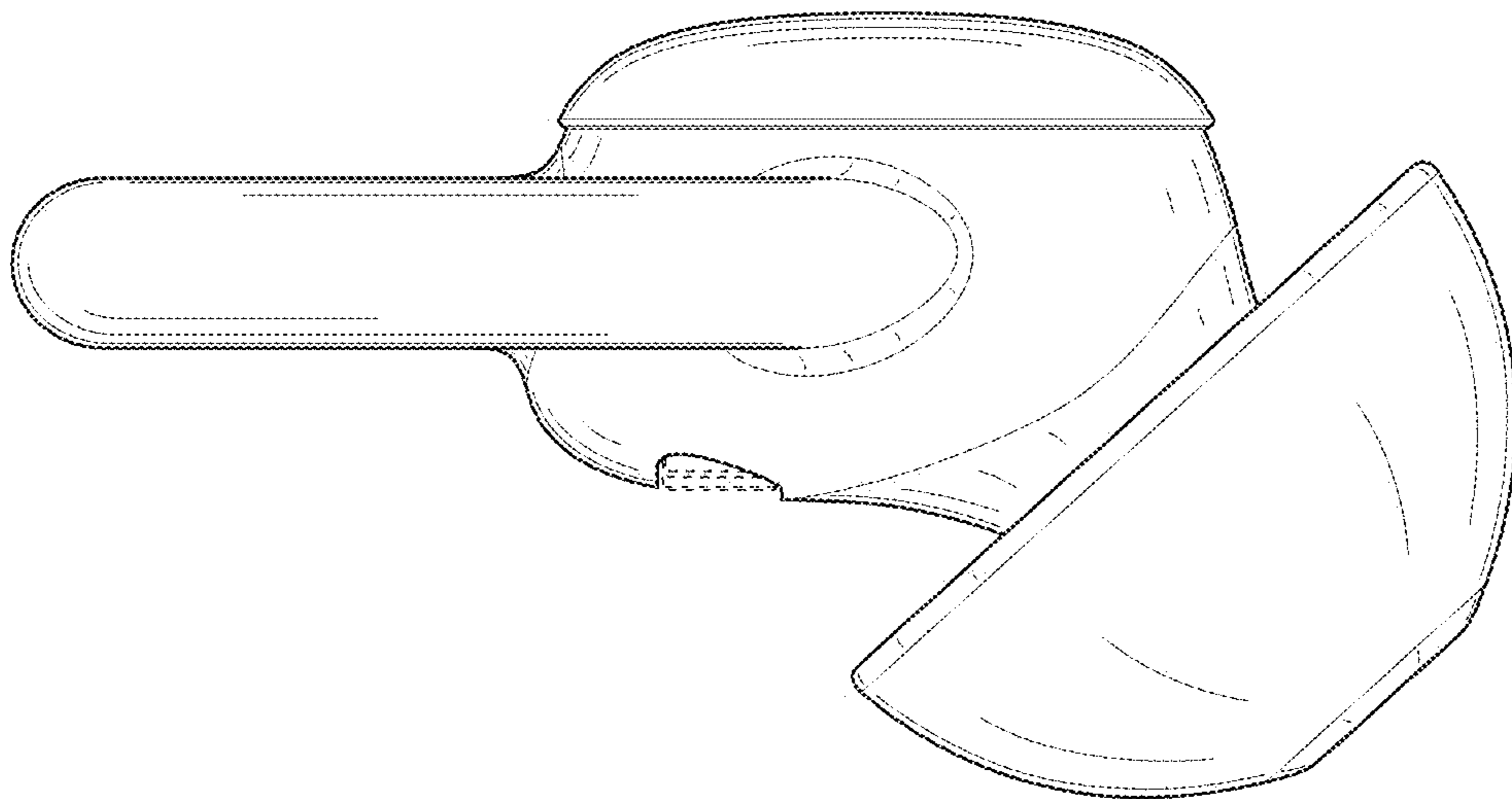
**FIG. 13**



**FIG. 14**



**FIG. 15**



**FIG. 16**