



US00D967059S

(12) **United States Design Patent**  
**Luo**

(10) **Patent No.:** **US D967,059 S**  
(45) **Date of Patent:** **\*\* Oct. 18, 2022**

(54) **SPEAKER**

(71) Applicant: **Shenzhen Weiking Technology CO., LTD.**, Shenzhen (CN)

(72) Inventor: **Fuguang Luo**, Shenzhen (CN)

(\*\*) Term: **15 Years**

(21) Appl. No.: **29/800,719**

(22) Filed: **Jul. 22, 2021**

(51) **LOC (13) Cl.** ..... **14-01**

(52) **U.S. Cl.**  
USPC ..... **D14/214**

(58) **Field of Classification Search**  
USPC ..... D14/167, 168, 170–172, 188, 194–196, D14/204, 209.1, 210–216, 219, 221, 222, D14/224, 239, 496  
CPC ..... B60R 11/0217; G06F 1/1688; G10K 9/22; G10K 11/004; H03F 1/327; H04M 1/03; H04M 1/035; H04N 5/642; H04N 21/4852; H04R 1/02; H04R 1/06; H04R 1/021; H04R 1/025; H04R 1/026; H04R 1/028; H04R 1/105; H04R 1/323; H04R 1/403; H04R 1/2803; H04R 1/2834; H04R 5/02; H04R 7/20; H04R 9/06; H04R 9/025; H04R 2201/021; H04R 2400/00; H04R 2400/07; H04R 2499/11; H04R 2499/13; H04R 2499/15; H04S 3/00; H04S 7/30

See application file for complete search history.

(56) **References Cited**

**U.S. PATENT DOCUMENTS**

D746,263 S \* 12/2015 Carbone ..... H04R 1/02 D14/214  
D755,155 S \* 5/2016 Paterson ..... D14/204  
D837,182 S \* 1/2019 Elmieh ..... D14/204

D845,925 S \* 4/2019 Bellinghausen ..... D14/204  
D862,411 S \* 10/2019 Yang ..... D14/204  
D874,426 S \* 2/2020 Kim ..... D14/204  
D886,777 S \* 6/2020 Bunning ..... D14/204  
D891,394 S \* 7/2020 Kim ..... D14/204  
D908,106 S \* 1/2021 Jin ..... D14/204  
D908,107 S \* 1/2021 Jin ..... D14/204  
D912,010 S \* 3/2021 Luo ..... D14/204  
D920,946 S 6/2021 Lee  
D923,604 S 6/2021 Guo  
2013/0294638 A1\* 11/2013 Huseby ..... H04R 1/02 381/394

**OTHER PUBLICATIONS**

Amazon.com; W-King; “W-King 100W Bluetooth Speakers . . . ”; [online] ‘<https://www.amazon.com/W-KING-Bluetooth-Speakers-Portable-Waterproof/dp/B09ZQTX3WJ>’; dated May 7, 2022; accessed Aug. 9, 2022; 6pgs. (Year: 2022).\*

\* cited by examiner

*Primary Examiner* — Keli L Hill

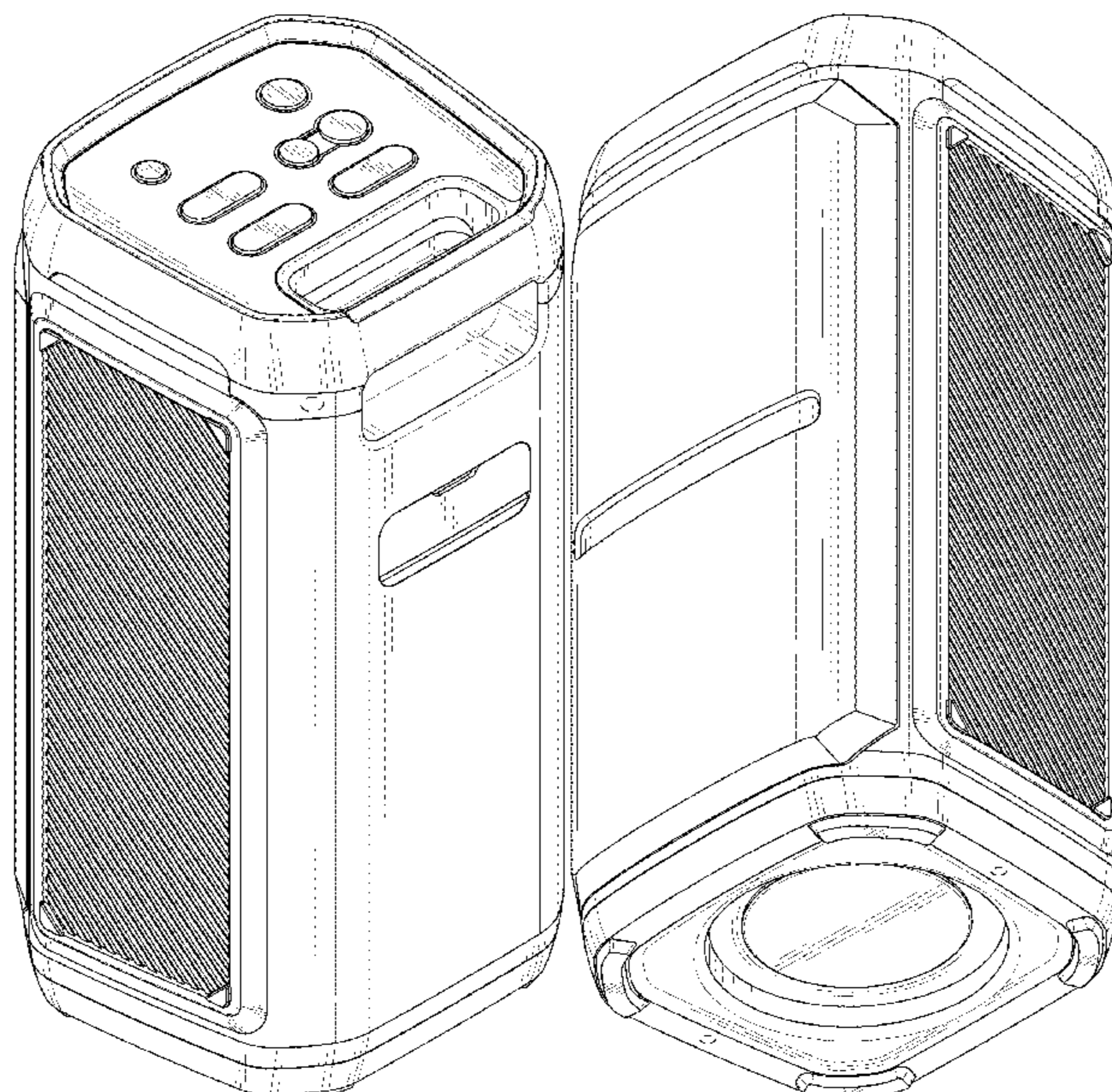
(57) **CLAIM**

The ornamental design for a speaker, as shown and described.

**DESCRIPTION**

FIG. 1 is a top, front and left perspective view of a speaker showing my new design;  
FIG. 2 is a front, right and bottom perspective view thereof;  
FIG. 3 is a front view thereof;  
FIG. 4 is a rear view thereof;  
FIG. 5 is a left side view thereof;  
FIG. 6 is a right side view thereof;  
FIG. 7 is a top plan view thereof; and,  
FIG. 8 is a bottom plan view thereof.  
The broken lines in the figures illustrate portions of the speaker that form no part of the claimed design.

**1 Claim, 8 Drawing Sheets**



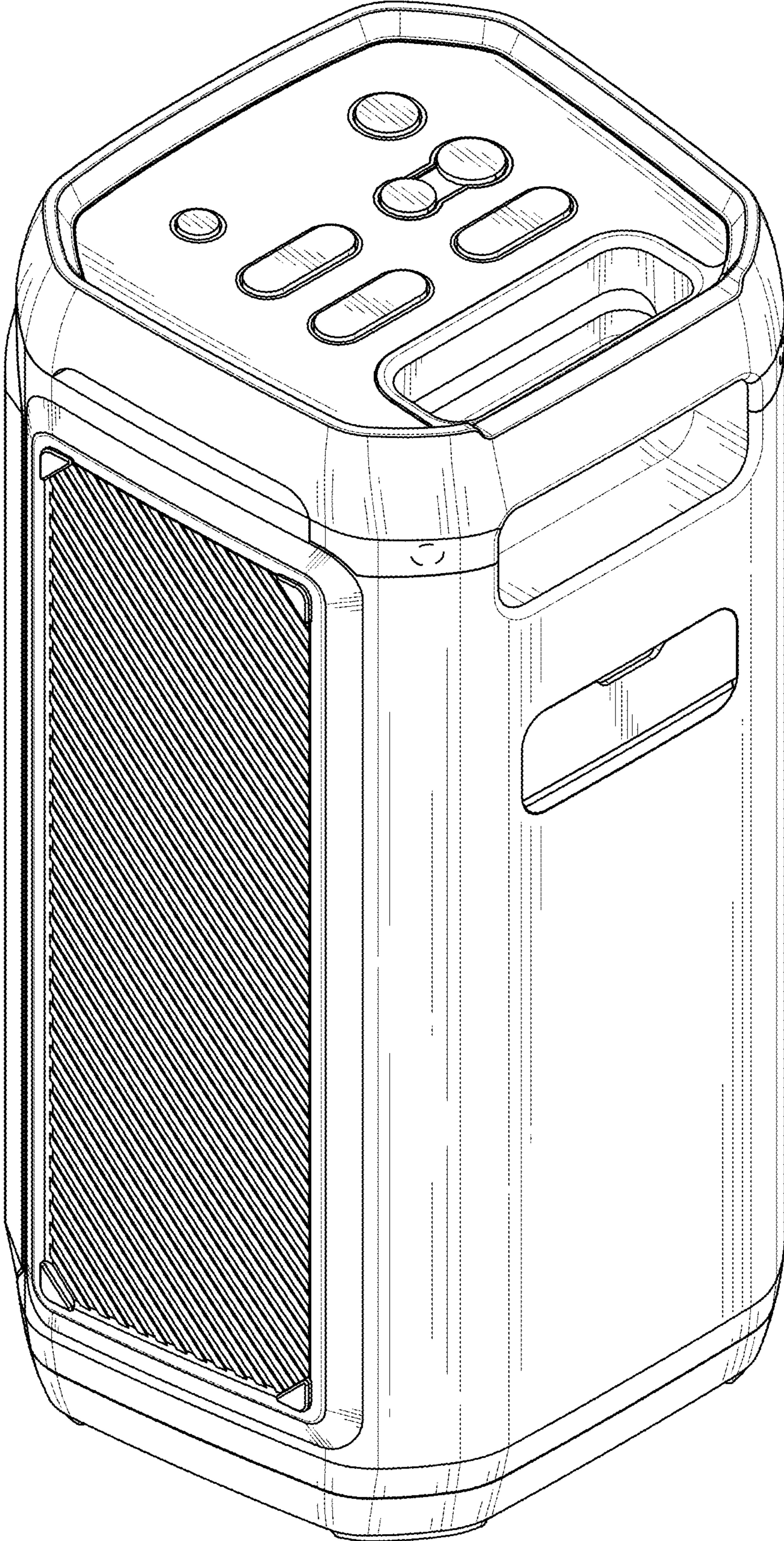


FIG. 1

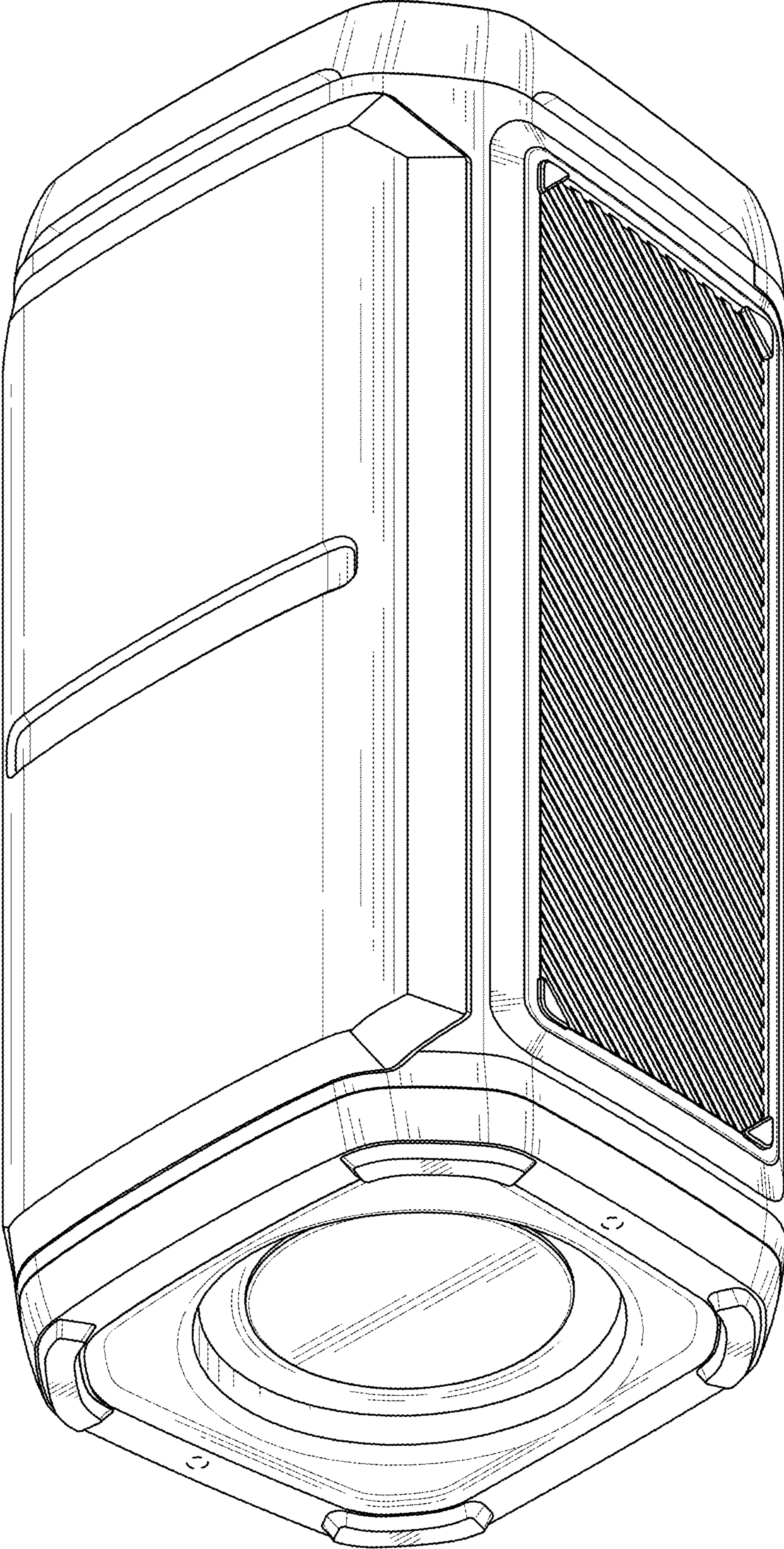


FIG. 2

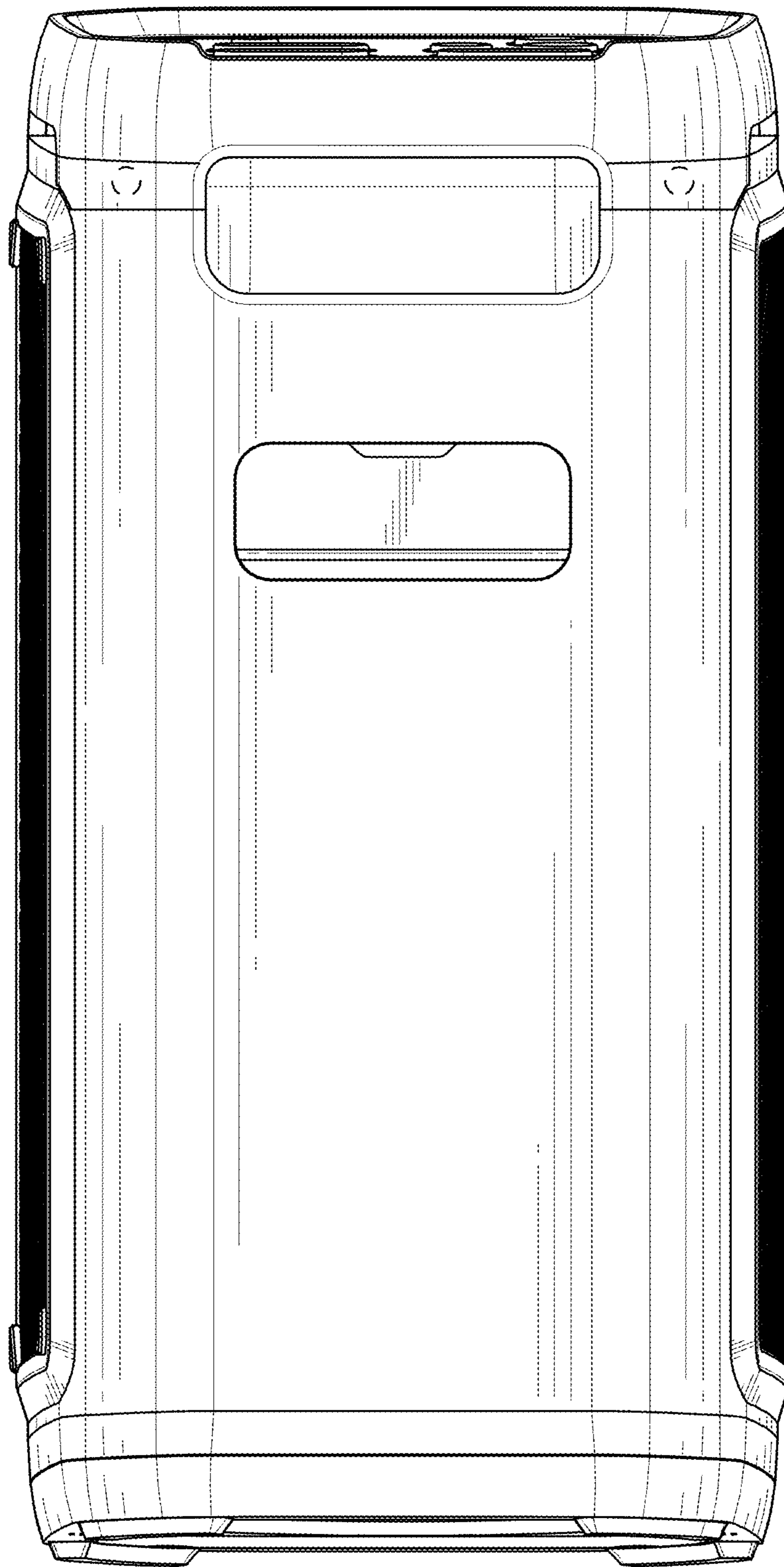


FIG. 3

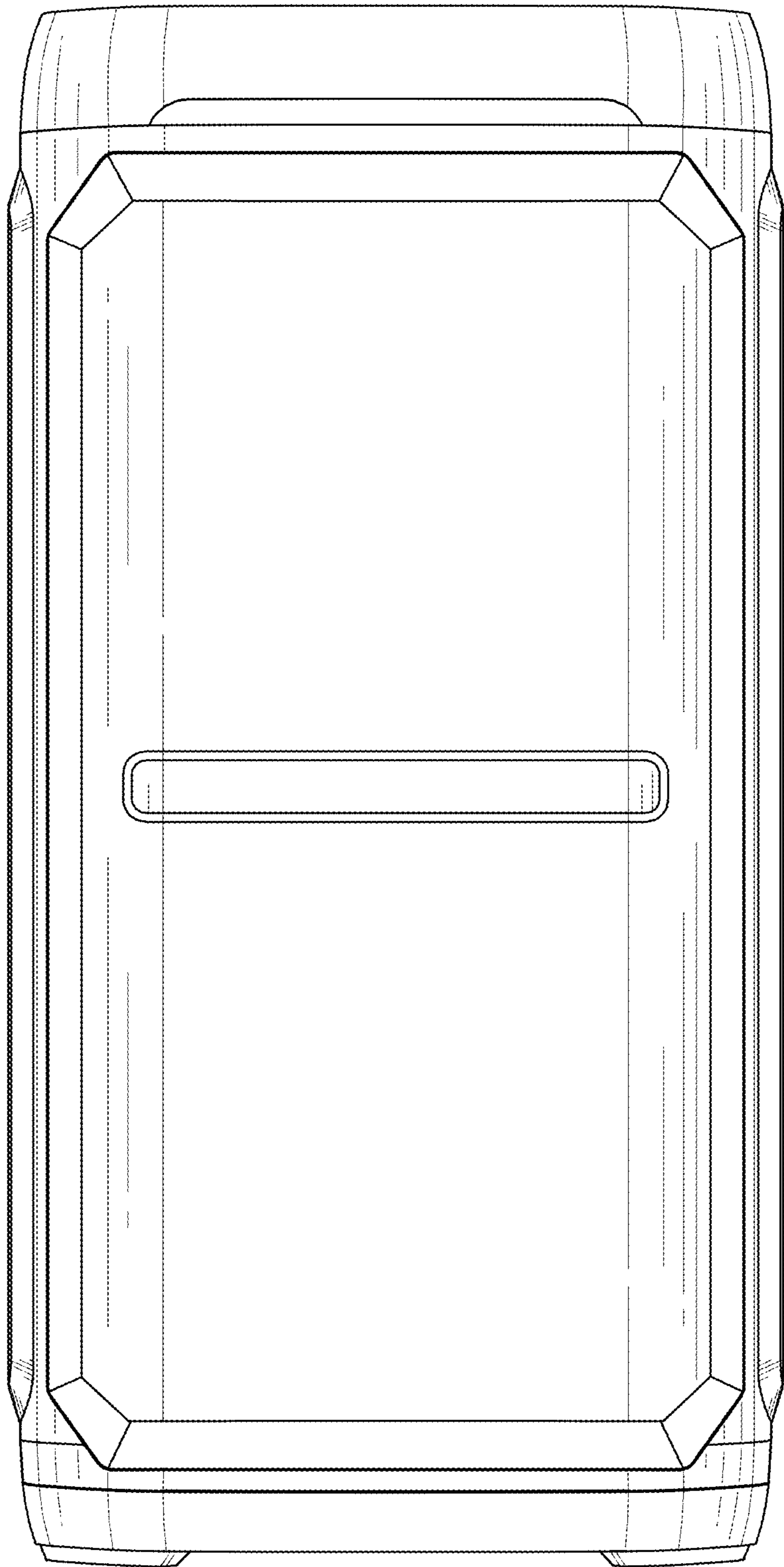


FIG. 4

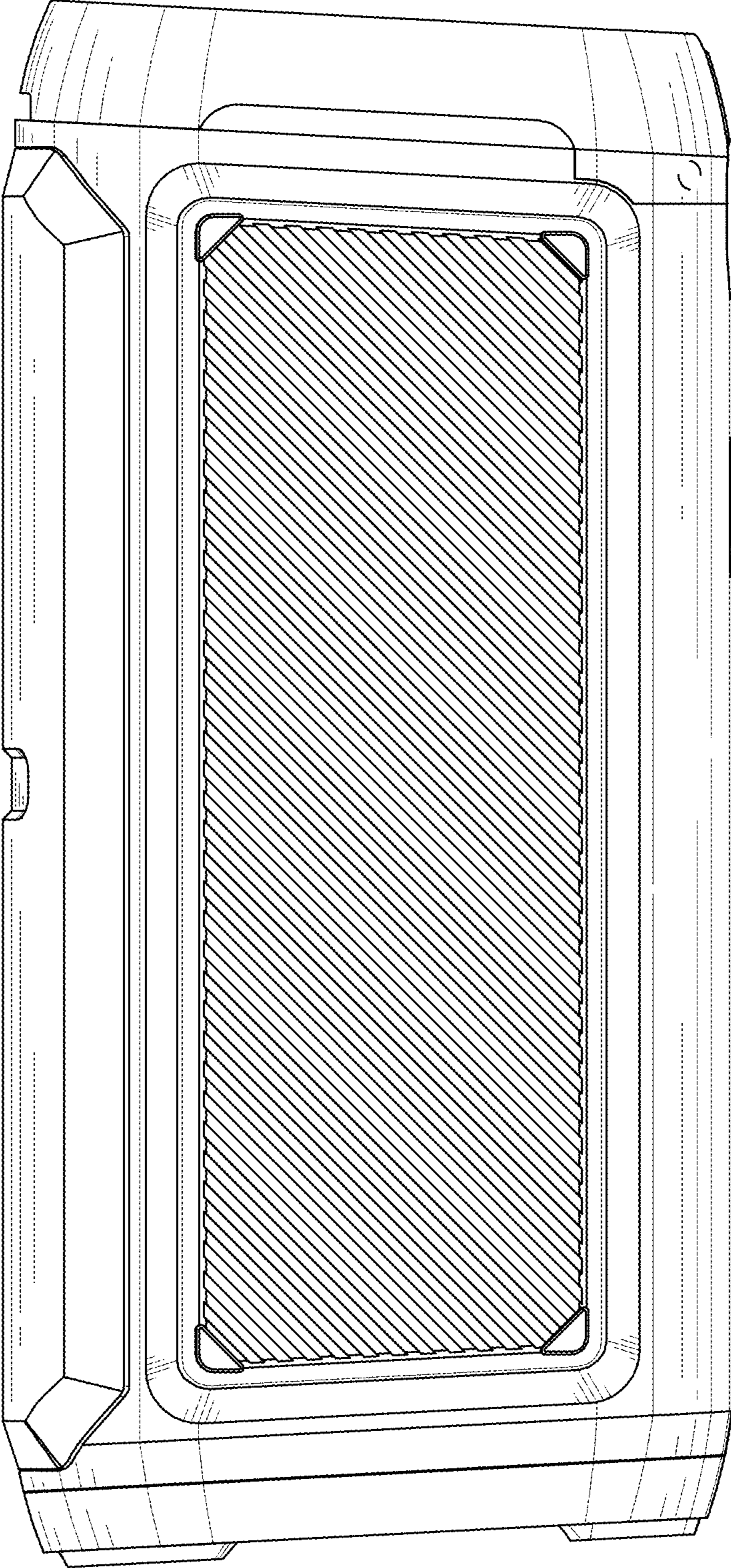


FIG. 5

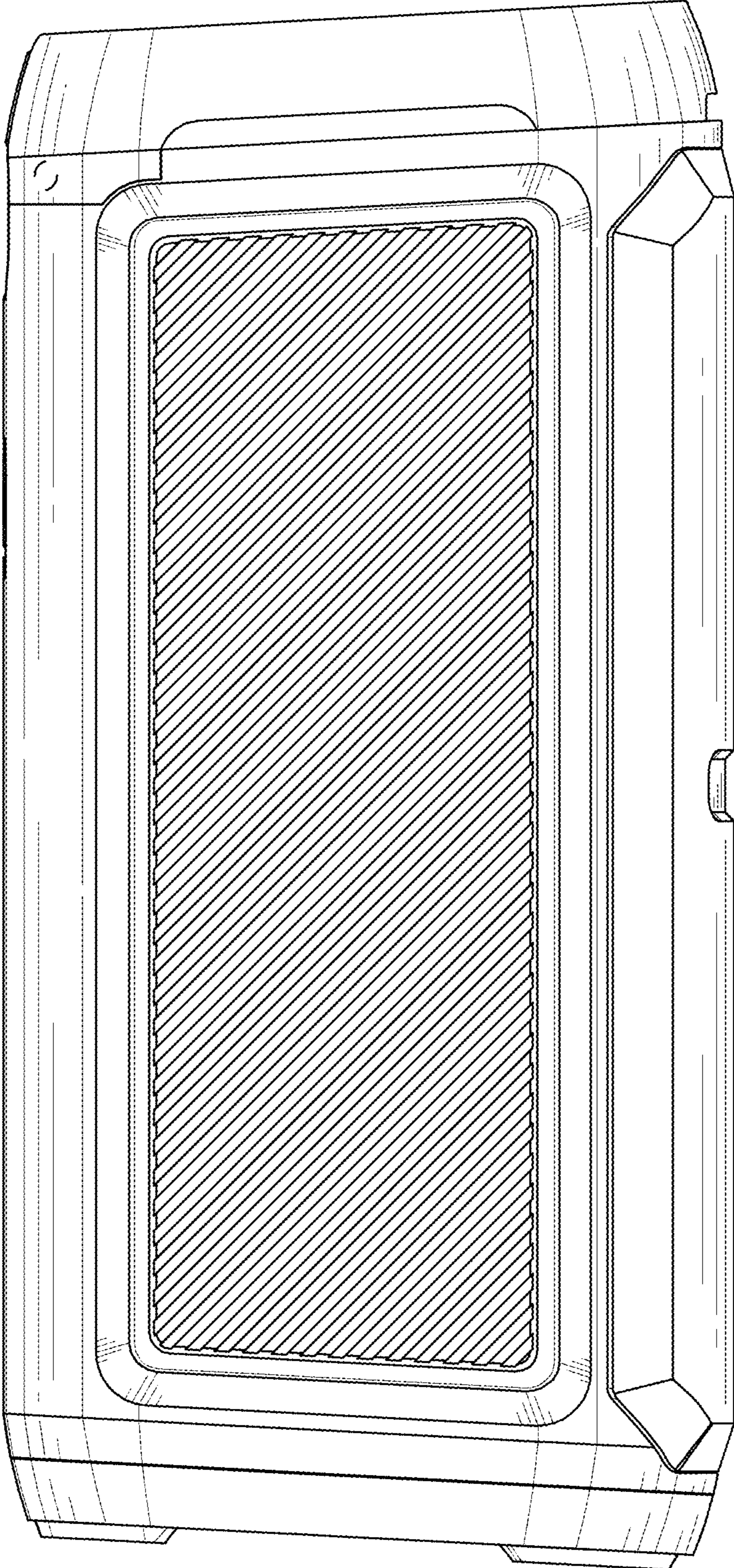


FIG. 6

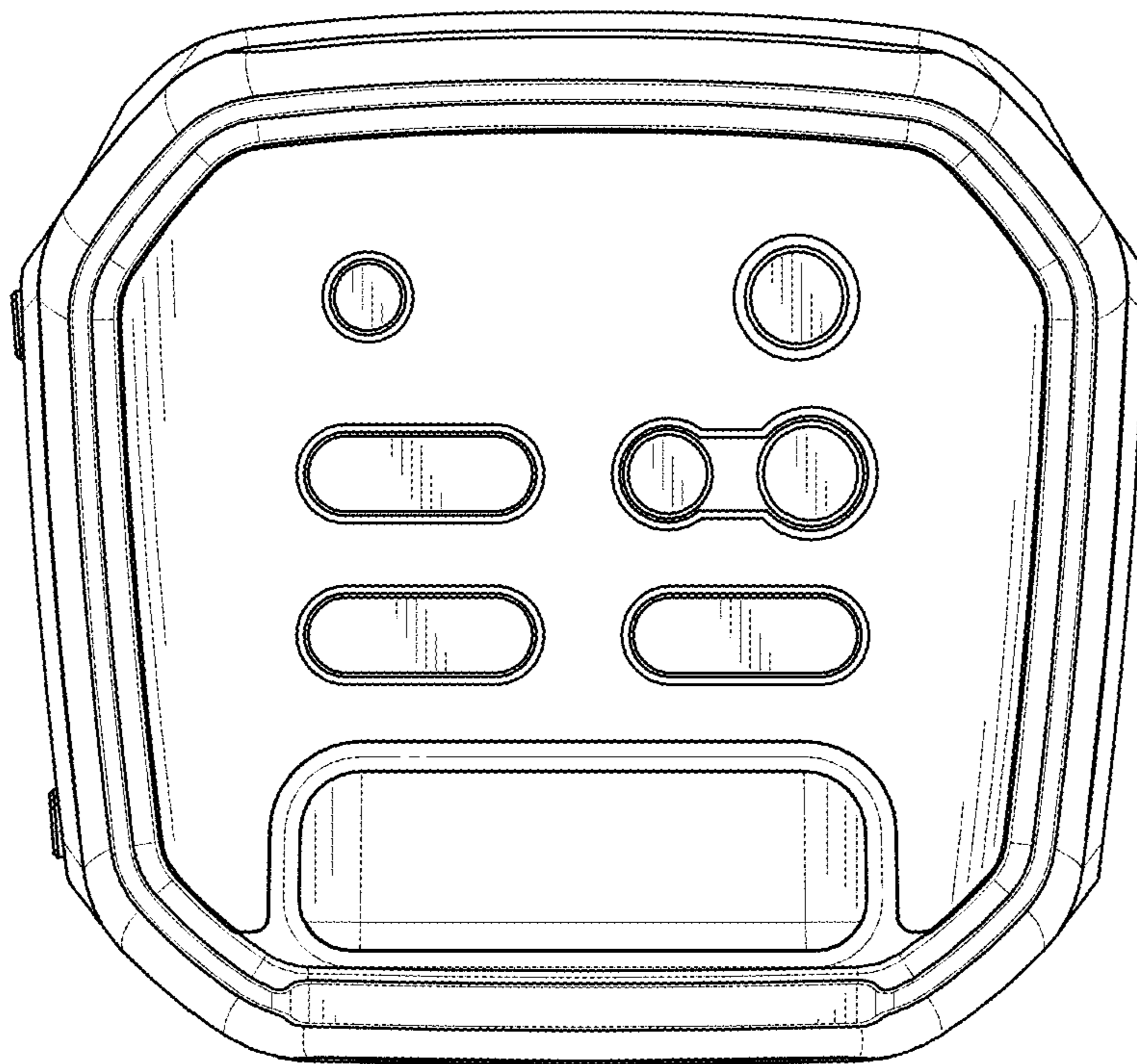


FIG. 7



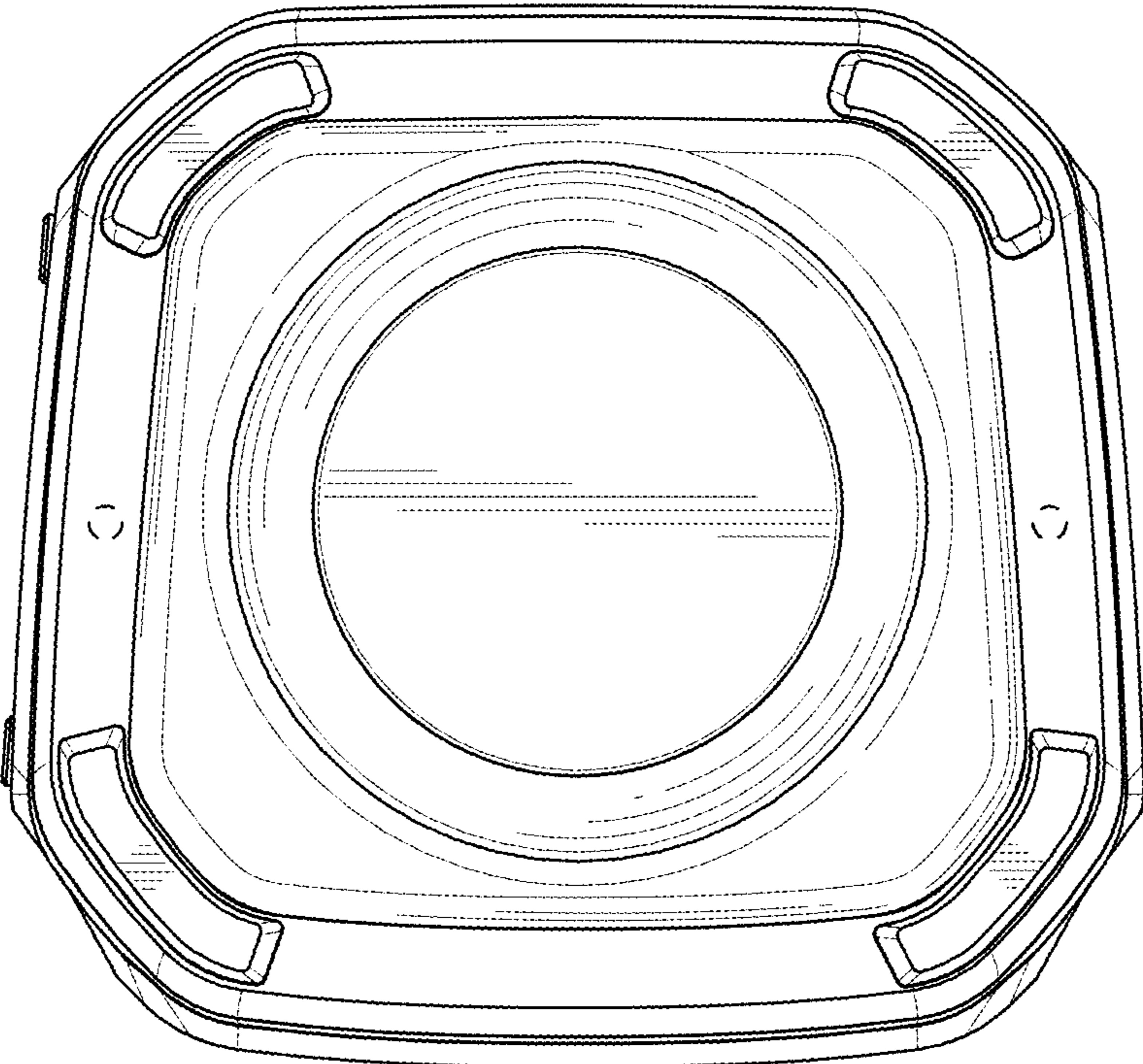


FIG. 8