



US00D967056S

(12) **United States Design Patent** (10) **Patent No.:** **US D967,056 S**
Davies et al. (45) **Date of Patent:** **** Oct. 18, 2022**

(54) **HEADPHONES**

(71) Applicant: **Focusrite Audio Engineering Limited**,
High Wycombe (GB)

(72) Inventors: **Emma Claire Davies**, High Wycombe
(GB); **Simon Anthony Burges**,
Twickenham (GB); **Krischa Tobias**,
London (GB); **Peter Phillips**,
Milford-on-Sea (GB)

(73) Assignee: **Focusrite Audio Engineering Limited**,
High Wycombe (GB)

(**) Term: **15 Years**

(21) Appl. No.: **29/831,523**

(22) Filed: **Mar. 21, 2022**

Related U.S. Application Data

(62) Division of application No. 29/763,825, filed on Dec.
24, 2020.

(30) **Foreign Application Priority Data**

Jun. 26, 2020 (EM) 008023345-0001
Jun. 26, 2020 (EM) 008023345-0002
Jun. 26, 2020 (GB) 6093444
Jun. 26, 2020 (GB) 6093445

(51) **LOC (13) Cl.** **14-01**

(52) **U.S. Cl.**
USPC **D14/205**

(58) **Field of Classification Search**
USPC D14/205, 188, 192; D29/112; 2/209;
381/380-381, 374; 455/90.3, 575.1,
455/569.1
CPC H04R 25/00; H04R 25/02; H04R 1/105;
H04R 1/1066; H04R 1/1016; H04R
5/033; H04R 5/0335; H04R 1/10; H04R
1/1091; H04R 1/1008

See application file for complete search history.

(56) **References Cited**

U.S. PATENT DOCUMENTS

D351,172 S * 10/1994 Nakamura D14/205
5,862,241 A * 1/1999 Nelson H04R 1/1066
381/374
6,993,143 B2 * 1/2006 Harris H04R 1/1066
381/374
D691,579 S * 10/2013 Lee D14/205
D698,334 S * 1/2014 Fujioka D14/205
D704,161 S * 5/2014 Morimoto H04R 1/1066
D14/205

(Continued)

FOREIGN PATENT DOCUMENTS

CA 199939 * 3/2022
EM 002645226-0001 * 3/2015

(Continued)

Primary Examiner — Paula Allen Greene

(74) *Attorney, Agent, or Firm* — Innovation Law Office;
Dennis S. Schell

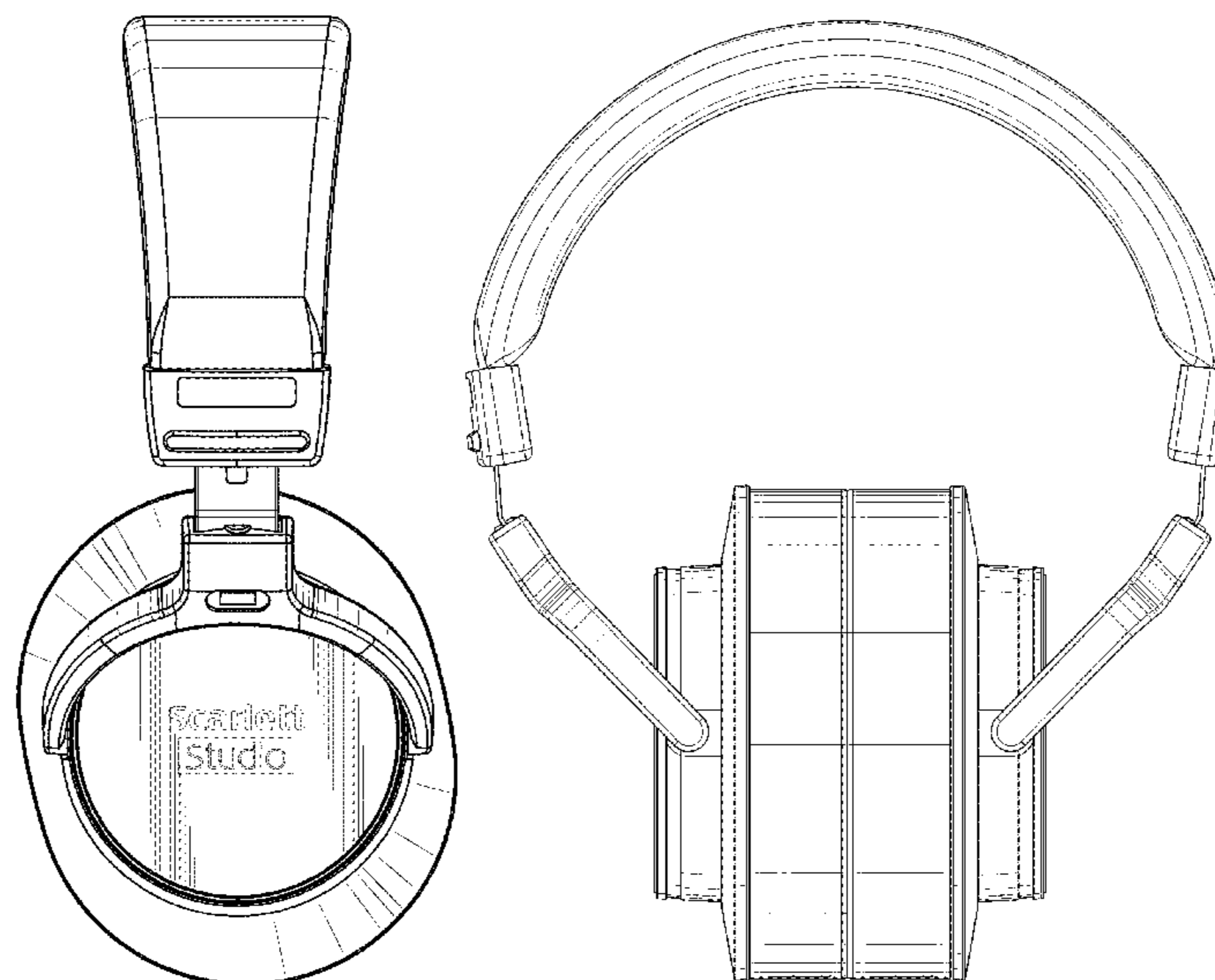
(57) **CLAIM**

The ornamental design for headphones, as shown and
described.

DESCRIPTION

FIG. 1 is a right-side elevational view of the headphones;
FIG. 2 is a front elevational view thereof;
FIG. 3 is a left-side elevational view thereof;
FIG. 4 is a rear elevational view thereof;
FIG. 5 is a top plan view thereof; and,
FIG. 6 is a bottom plan view thereof.
The broken lines in the drawings are provided to show
features and boundaries that form no part of the claimed
design.

1 Claim, 6 Drawing Sheets



(56)

References Cited

U.S. PATENT DOCUMENTS

8,737,668 B1 * 5/2014 Blair H04R 1/1066
 381/378
 D711,348 S * 8/2014 Yang D14/205
 8,818,011 B2 * 8/2014 Chen H04R 1/1066
 381/370
 D719,136 S * 12/2014 Schaal D14/206
 D721,052 S * 1/2015 Carr D14/205
 D729,194 S * 5/2015 Boeckel D14/205
 D734,297 S * 7/2015 Sasaki D14/205
 D737,799 S * 9/2015 Carr D14/205
 D739,842 S * 9/2015 Birger D14/205
 D741,289 S * 10/2015 Schaal D14/205
 D747,290 S * 1/2016 Lee D14/205
 D758,337 S * 6/2016 Szymanski D14/205
 D761,761 S * 7/2016 Ando D14/205
 D765,055 S * 8/2016 Hsieh D14/205
 D767,531 S * 9/2016 Szymanski D14/205
 D768,110 S * 10/2016 Suzuki D14/205
 D787,470 S * 5/2017 Kelly D14/205
 D792,376 S * 7/2017 Morimoto D14/205
 D800,691 S * 10/2017 Ando D14/205
 D811,365 S * 2/2018 Czaniecki D14/205
 D817,303 S * 5/2018 Tragatschnig D14/205
 D826,210 S * 8/2018 Chong D14/205
 D852,163 S * 6/2019 Nagamine D14/205
 D871,367 S * 12/2019 Zhijun D14/205
 D874,430 S * 2/2020 Liu D14/205
 D875,067 S * 2/2020 Tsubone D14/205
 D875,708 S * 2/2020 Tang D14/205

D879,065 S * 3/2020 Chan D14/205
 D892,079 S * 8/2020 Wu D14/205
 D900,057 S * 10/2020 Shan D14/205
 D907,003 S * 1/2021 Liu D14/205
 D923,600 S * 6/2021 Shibukawa D14/205
 D928,114 S * 8/2021 Terazaki D14/205
 D929,958 S * 9/2021 Kobayashi D14/205
 D938,934 S * 12/2021 Tsubone D14/205
 D944,758 S * 3/2022 Tang D14/205
 D944,761 S * 3/2022 Lee D14/205
 2010/0310093 A1 * 12/2010 Semcken H04R 1/1058
 381/104
 2014/0363016 A1 * 12/2014 Blonder H03F 3/181
 381/74
 2018/0206023 A1 * 7/2018 Lee H04R 1/1025
 2019/0379961 A1 * 12/2019 Pham H04R 1/1066
 2020/0374622 A1 * 11/2020 Kara H04R 1/1075
 2021/0051390 A1 * 2/2021 He H04R 1/1066
 2022/0095028 A1 * 3/2022 Tseng H04R 5/0335

FOREIGN PATENT DOCUMENTS

EM 007437249-0003 * 12/2019
 EM 008023345-0002 * 6/2020
 EM 008057400-0001 * 7/2020
 EM 008641369-0001 * 8/2021
 EM 008812275-0001 * 12/2021
 EM 008943435-0002 * 4/2022
 GB 8094955000-3000 * 1/2017
 GB 9008151245-0001 * 8/2020
 JP D1501923 * 6/2014

* cited by examiner

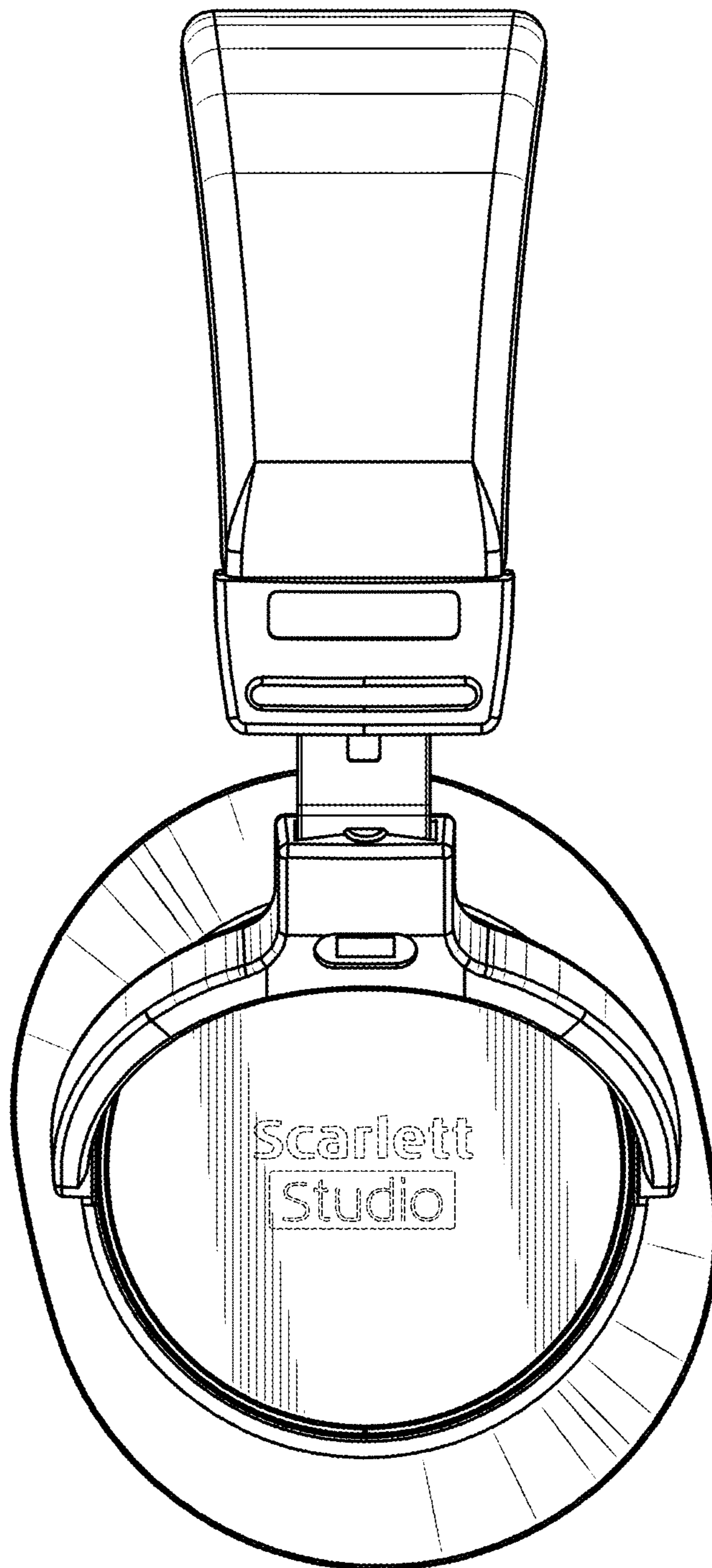


FIG. 1

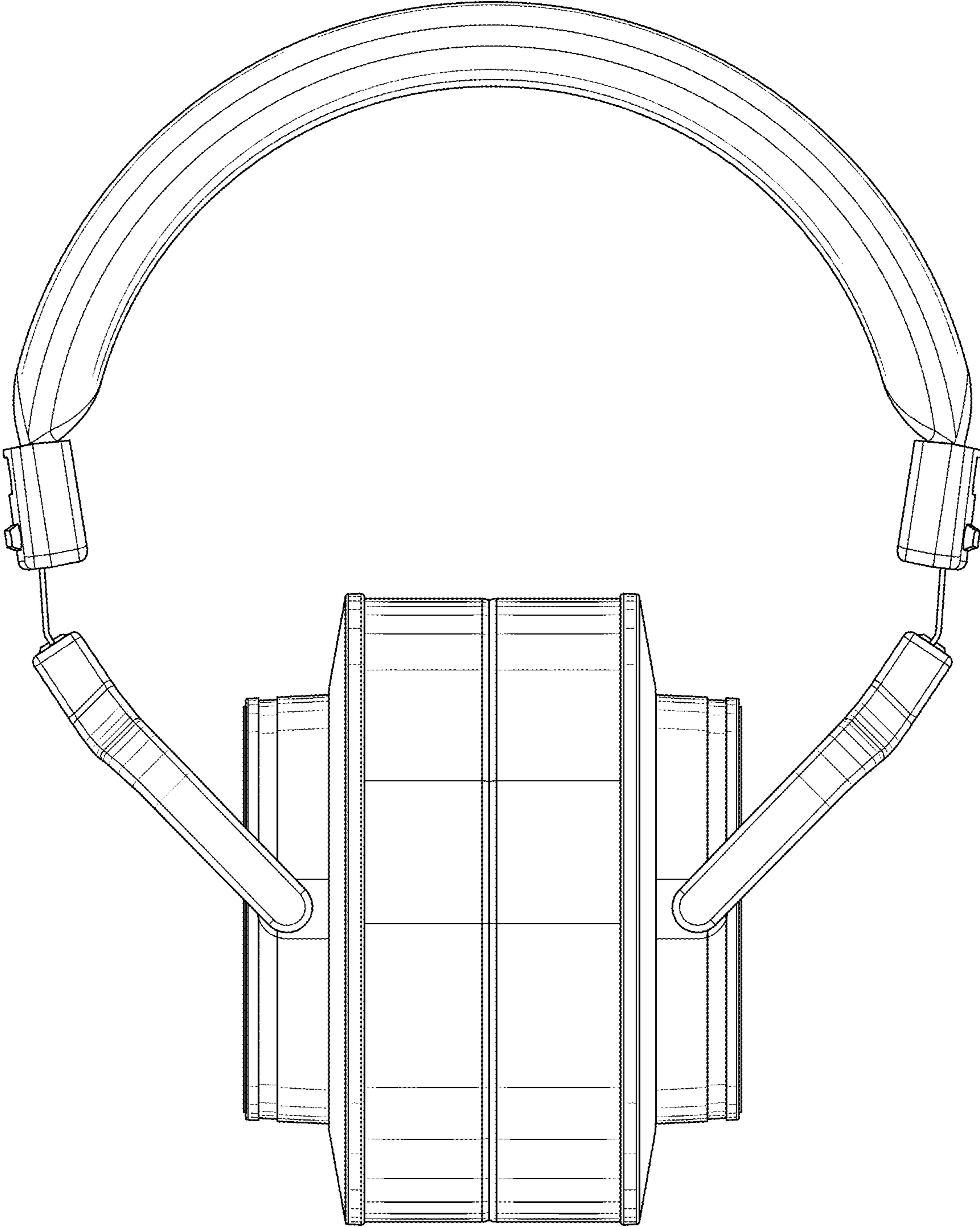


FIG. 2

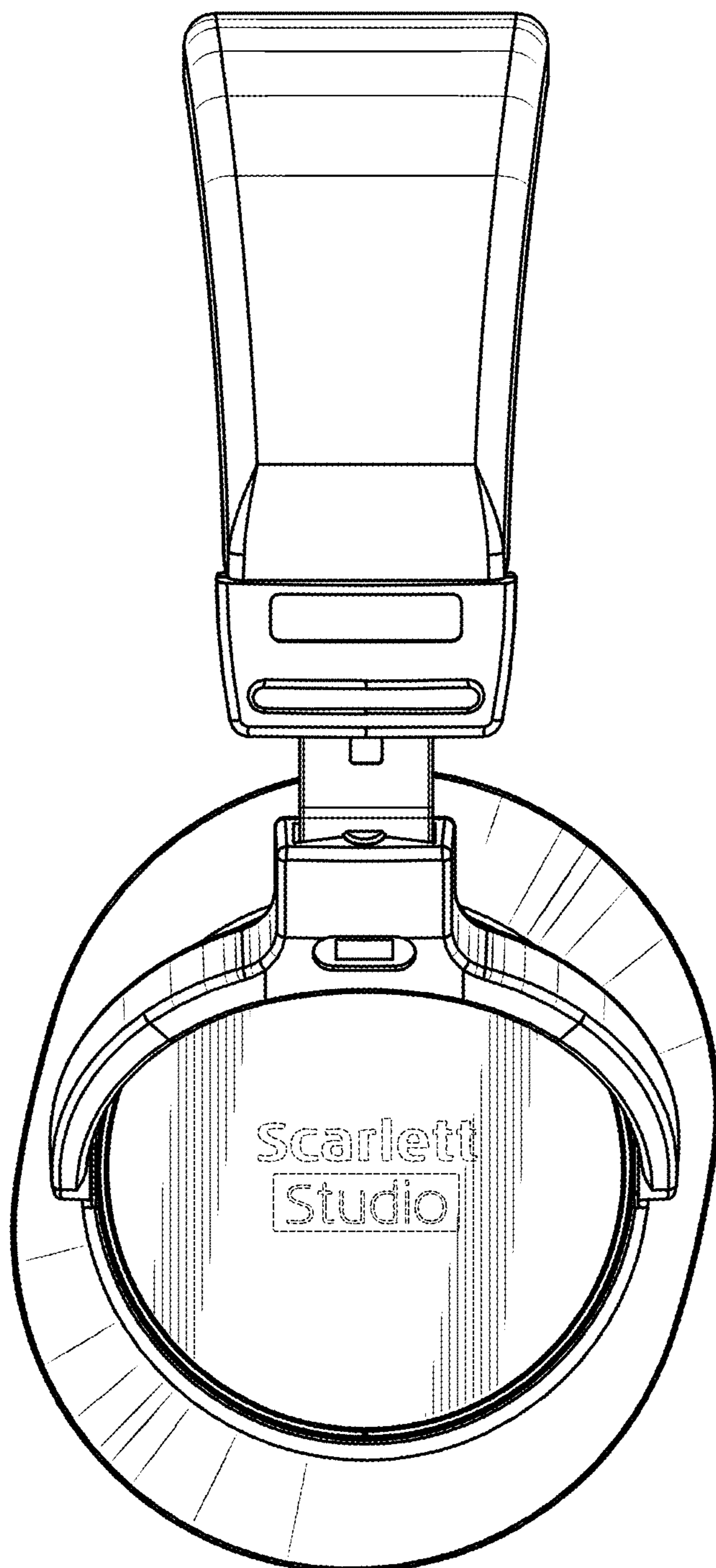


FIG. 3

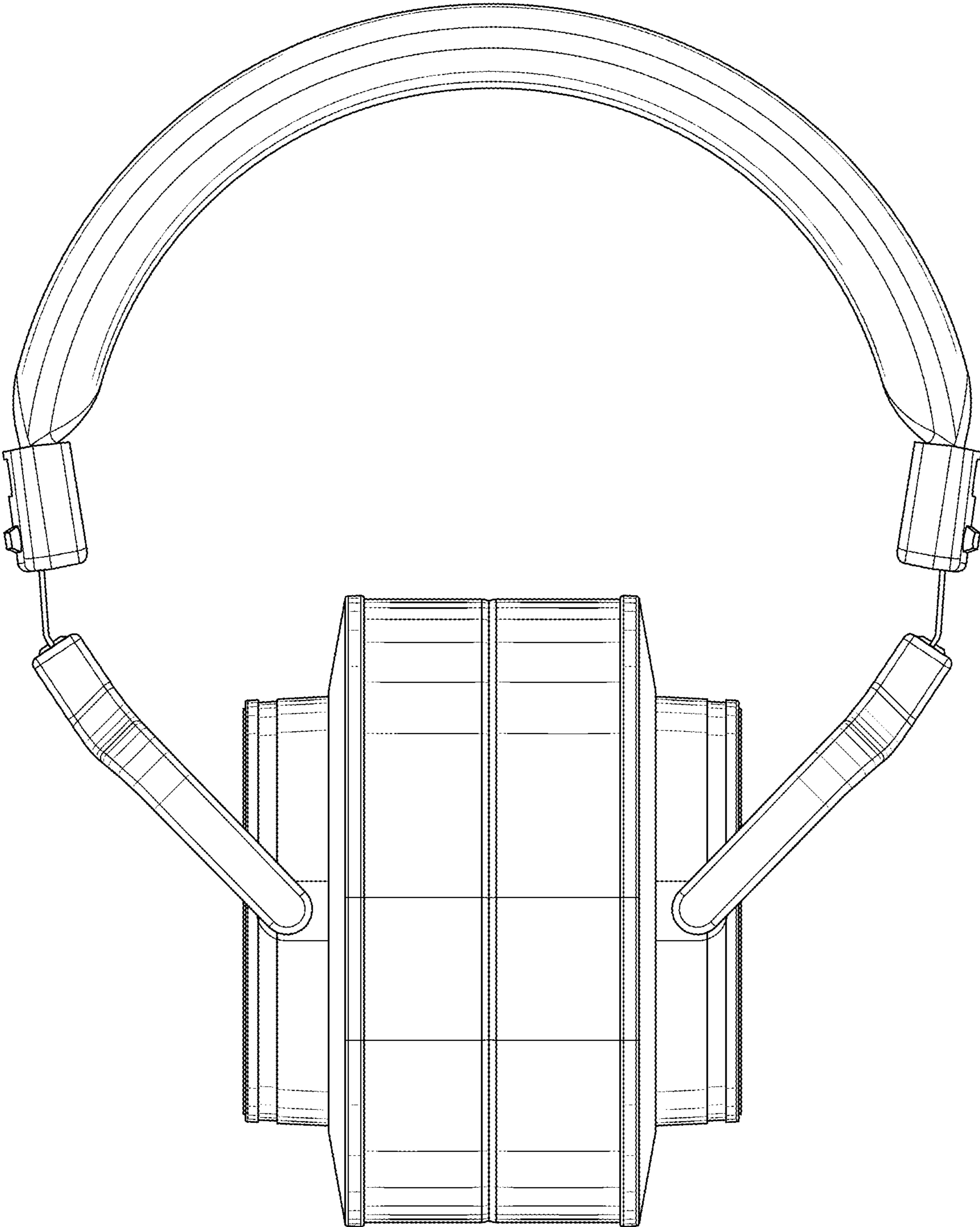


FIG. 4

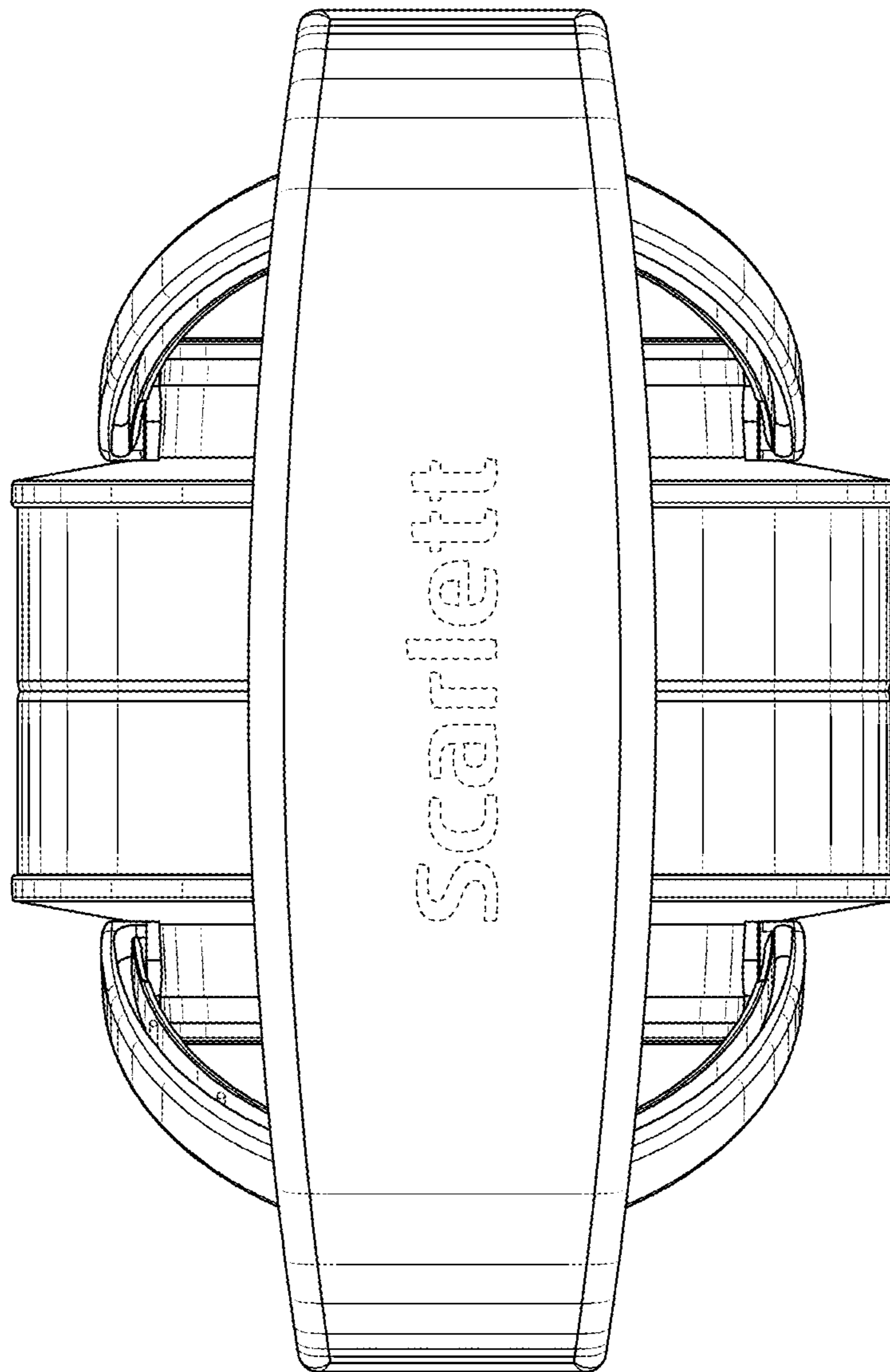


FIG. 5

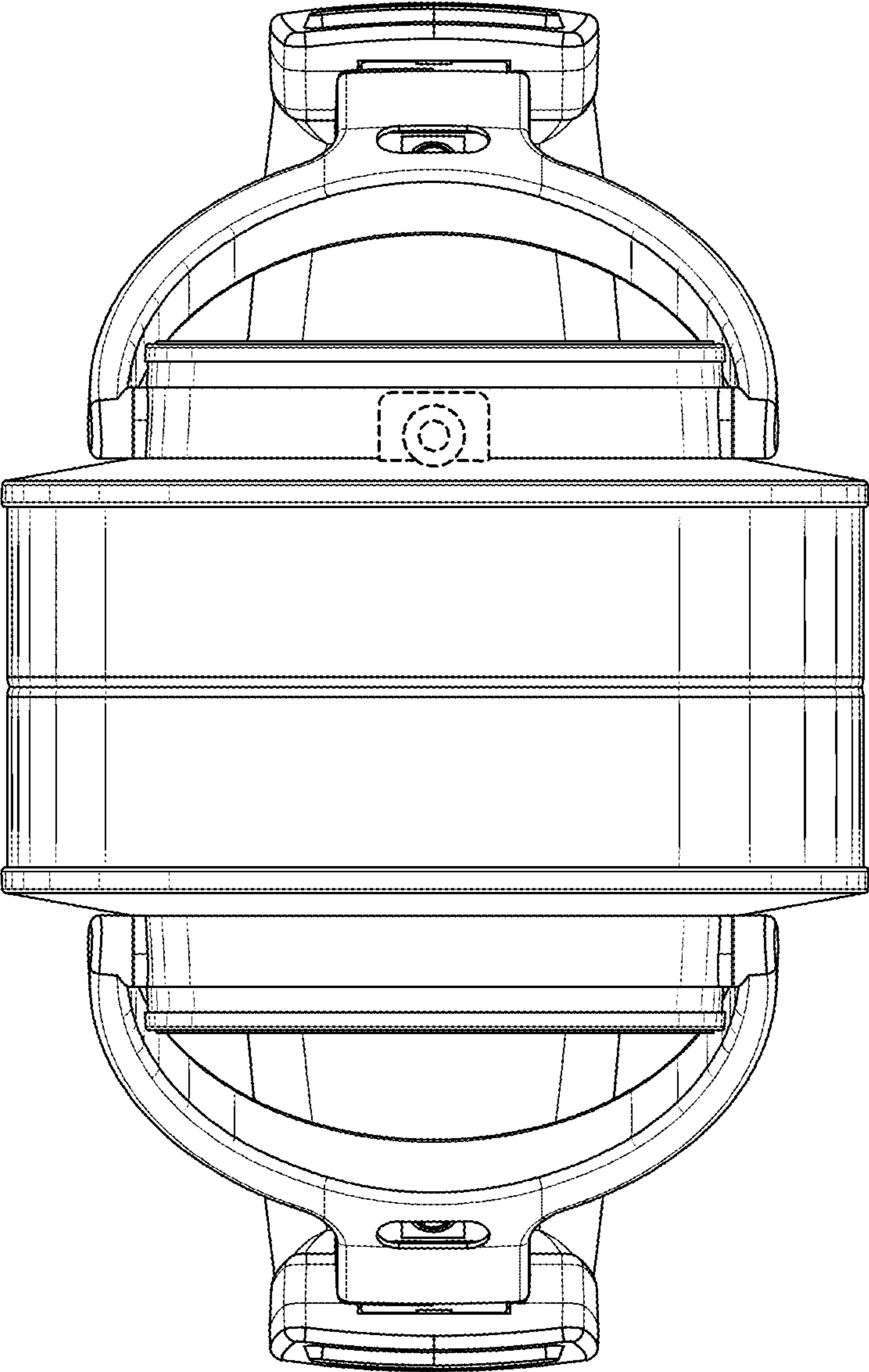


FIG. 6