

US00D967054S

(12) **United States Design Patent**  
**Chen**

(10) **Patent No.:** **US D967,054 S**  
(45) **Date of Patent:** **\*\* Oct. 18, 2022**

(54) **WIRELESS HEADPHONE**  
(71) Applicant: **Shenzhen MengLang Technology Co. LTD, Shenzhen (CN)**  
(72) Inventor: **Mansheng Chen, Jiexi (CN)**  
(73) Assignee: **Shenzhen Menglang Technology Co. LTD, Shenzhen (CN)**  
(\*\*) Term: **15 Years**  
(21) Appl. No.: **29/790,340**

D552,077 S \* 10/2007 Brunner ..... D14/205  
D557,684 S 12/2007 Pundsack et al.  
7,609,026 B2 \* 10/2009 Tsunoda ..... H04R 1/1025  
381/370  
D632,668 S \* 2/2011 Brunner ..... D14/205  
7,916,886 B1 \* 3/2011 Bobisuthi ..... H04R 1/086  
381/358  
D637,176 S \* 5/2011 Brunner ..... D14/205  
D641,727 S \* 7/2011 Krauss ..... D14/206  
D652,406 S \* 1/2012 Lee ..... D14/205  
D657,344 S \* 4/2012 Brunner ..... D14/205  
D657,776 S \* 4/2012 Lee ..... D14/205  
D660,823 S \* 5/2012 Hardi ..... D14/205  
D660,824 S \* 5/2012 Hardi ..... D14/205

(Continued)

(22) Filed: **Nov. 21, 2021**  
(51) **LOC (13) Cl.** ..... **14-01**  
(52) **U.S. Cl.**  
USPC ..... **D14/205**  
(58) **Field of Classification Search**  
USPC ..... D14/205, 206; D29/112; 2/209;  
381/380-381, 374  
CPC ..... H04R 25/00; H04R 25/02; H04R 1/1066;  
H04R 1/1016; H04R 5/033; H04R  
5/0335; H04R 1/1083; H04R 1/1041;  
H04R 1/1091  
See application file for complete search history.

**FOREIGN PATENT DOCUMENTS**

EM 002113456-0002 \* 10/2012  
EM 008465173-0002 \* 3/2021  
GB 9007481221-0003 \* 1/2020

*Primary Examiner* — Paula Allen Greene  
(74) *Attorney, Agent, or Firm* — Zhihua Han

(57) **CLAIM**

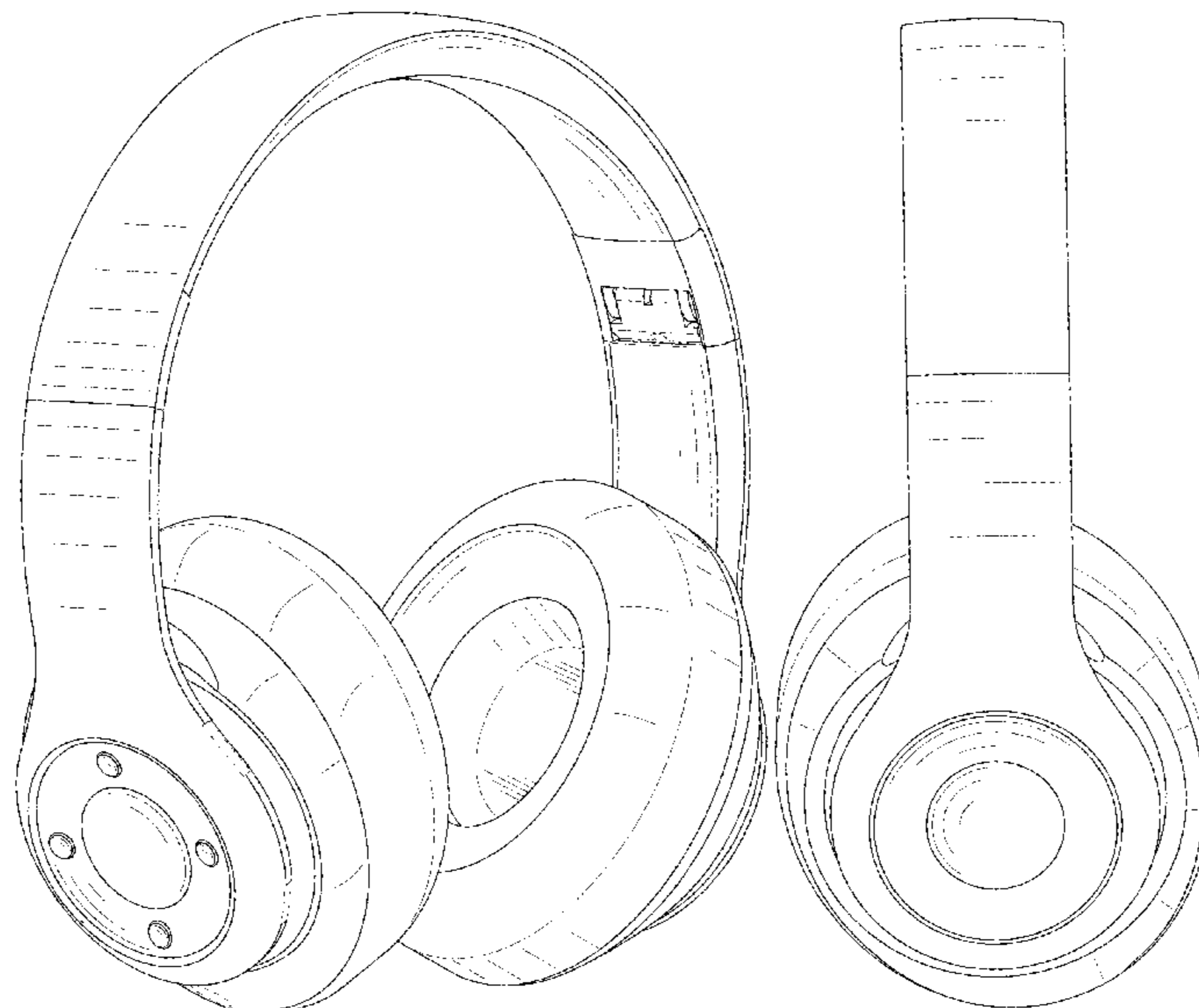
The ornamental design for a wireless headphone, as shown and described.

**DESCRIPTION**

FIG. 1 is a perspective view of a wireless headphone showing my new design;  
FIG. 2 is a front view thereof;  
FIG. 3 is a back view thereof;  
FIG. 4 is a left side view thereof;  
FIG. 5 is a right side view thereof;  
FIG. 6 is a top view thereof; and,  
FIG. 7 is a bottom view thereof.  
The broken lines shown in the drawings depict portions of the wireless headphone in which the design is embodied that form no part of the claimed design.

(56) **References Cited**  
**U.S. PATENT DOCUMENTS**  
1,231,095 A \* 6/1917 Tannaka ..... H04R 21/021  
381/180  
D292,331 S \* 10/1987 Bryant ..... D29/112  
D301,145 S \* 5/1989 Besasie ..... D14/206  
D333,468 S \* 2/1993 Hansen ..... D14/222  
D351,172 S \* 10/1994 Nakamura ..... D14/205  
D453,015 S \* 1/2002 Yuyama ..... D14/205  
D457,874 S \* 5/2002 Yoneda ..... D14/205  
D484,868 S \* 1/2004 Suzuki ..... D14/205  
6,905,000 B1 \* 6/2005 Viveros ..... H04R 1/1016  
181/129  
D514,085 S \* 1/2006 Lee ..... D14/188  
D549,688 S \* 8/2007 Suzuki ..... D14/205

**1 Claim, 7 Drawing Sheets**



(56)

References Cited

U.S. PATENT DOCUMENTS

D662,080 S \* 6/2012 Carr ..... D14/205  
 D662,490 S \* 6/2012 McSweyn ..... D14/205  
 D663,716 S \* 7/2012 Hardi ..... D14/205  
 D664,117 S \* 7/2012 Tappeiner ..... D14/205  
 D664,118 S \* 7/2012 Tappeiner ..... D14/205  
 D666,991 S \* 9/2012 Lee ..... D14/205  
 D671,914 S \* 12/2012 Lee ..... D14/205  
 D672,745 S \* 12/2012 Abed ..... D14/205  
 D673,518 S \* 1/2013 Tan ..... D14/205  
 D673,519 S \* 1/2013 Tan ..... D14/205  
 D673,520 S \* 1/2013 Tan ..... D14/205  
 D674,767 S \* 1/2013 Brunner ..... D14/205  
 D677,242 S \* 3/2013 Lee ..... D14/205  
 D677,647 S \* 3/2013 Lee ..... D14/205  
 D677,648 S \* 3/2013 Lee ..... D14/206  
 D683,329 S \* 5/2013 Hagelin ..... D14/205  
 D689,463 S \* 9/2013 Hardi ..... D14/205  
 D689,843 S \* 9/2013 Lee ..... D14/205  
 D690,682 S \* 10/2013 Iacovelli ..... D14/205  
 D691,579 S \* 10/2013 Lee ..... D14/205  
 D692,410 S \* 10/2013 Brunner ..... H04R 1/1008  
 D14/206  
 D693,791 S \* 11/2013 Troy ..... D14/205  
 D696,228 S \* 12/2013 Miyake ..... D14/205  
 D702,210 S \* 4/2014 Birger ..... H04S 1/005  
 D14/205

D707,200 S \* 6/2014 Yang ..... H04R 1/1066  
 D14/205  
 D712,871 S \* 9/2014 McNamara ..... D14/205  
 D716,760 S \* 11/2014 Brunner ..... D14/206  
 D717,764 S \* 11/2014 Lee ..... D14/205  
 8,942,385 B1 \* 1/2015 Jones ..... H04R 1/1041  
 381/103  
 D722,302 S \* 2/2015 Lee ..... D14/205  
 D722,591 S \* 2/2015 Son ..... D14/205  
 D732,001 S \* 6/2015 Licht ..... D14/205  
 D738,850 S \* 9/2015 Chung ..... D14/205  
 D758,990 S \* 6/2016 Jiang ..... D14/205  
 D764,435 S \* 8/2016 Brunner ..... D14/205  
 D769,842 S \* 10/2016 Rouffiat ..... D14/205  
 D778,257 S \* 2/2017 Hu .....  
 D778,258 S \* 2/2017 Hsu ..... D14/205  
 D782,537 S \* 3/2017 Akana ..... D14/511  
 D785,594 S \* 5/2017 Zaihui ..... D14/205  
 D786,824 S \* 5/2017 Hembrey ..... D14/205  
 D791,733 S \* 7/2017 Brunner ..... D14/205  
 D793,356 S \* 8/2017 Hardi ..... D14/218  
 D857,650 S \* 8/2019 Hardi ..... D14/218  
 D875,708 S \* 2/2020 Tang .....  
 D949,823 S \* 4/2022 Smiechowski ..... D14/205  
 2005/0053255 A1 \* 3/2005 Harris ..... H04R 1/1066  
 381/370  
 2011/0206216 A1 \* 8/2011 Brunner ..... H04R 1/1066  
 381/74  
 2018/0020276 A1 \* 1/2018 Messingher ..... H04R 7/04  
 2021/0084401 A1 \* 3/2021 Smiechowski ..... H04R 1/1041  
 \* cited by examiner

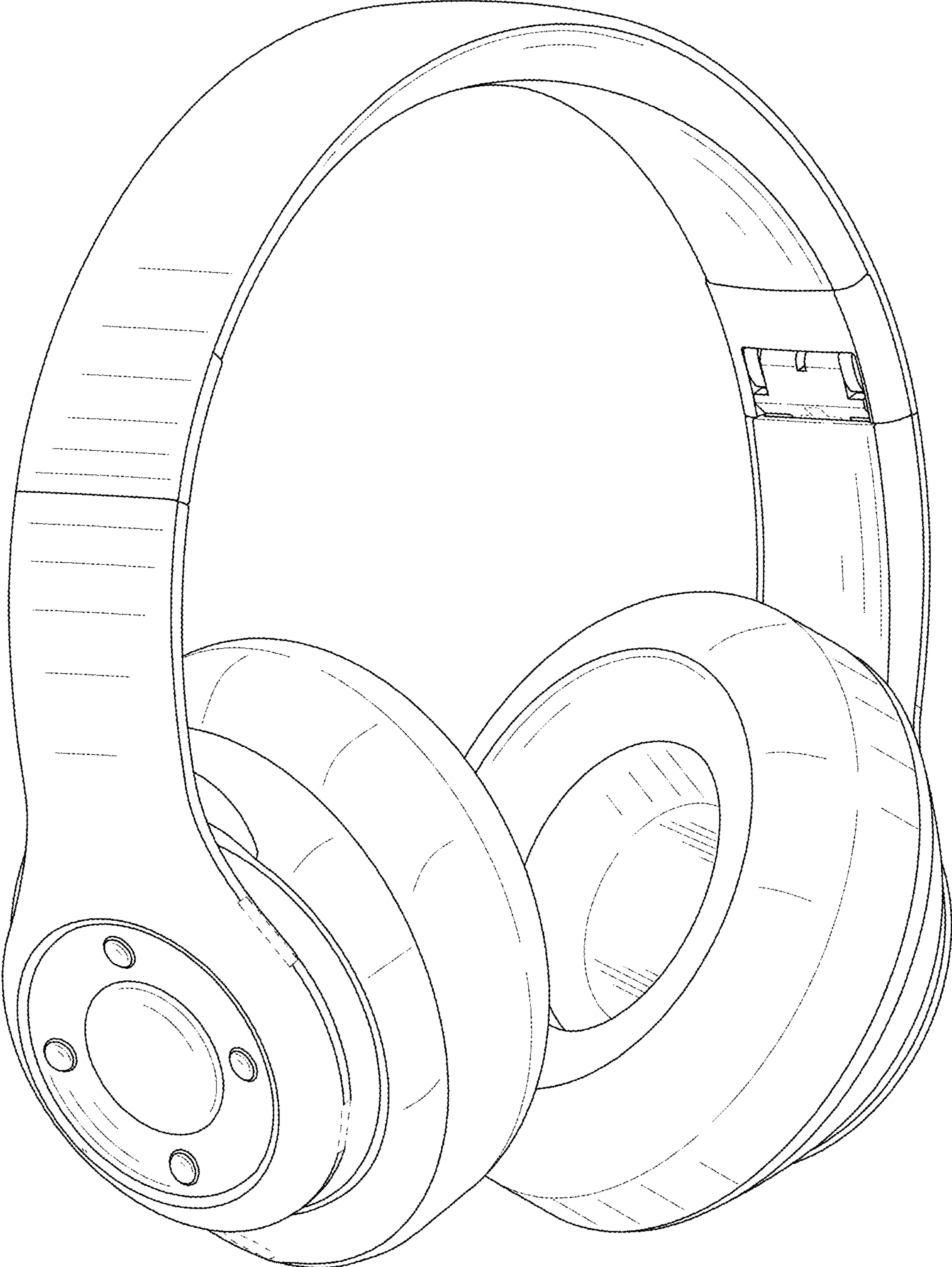


FIG. 1



FIG. 2



FIG. 3

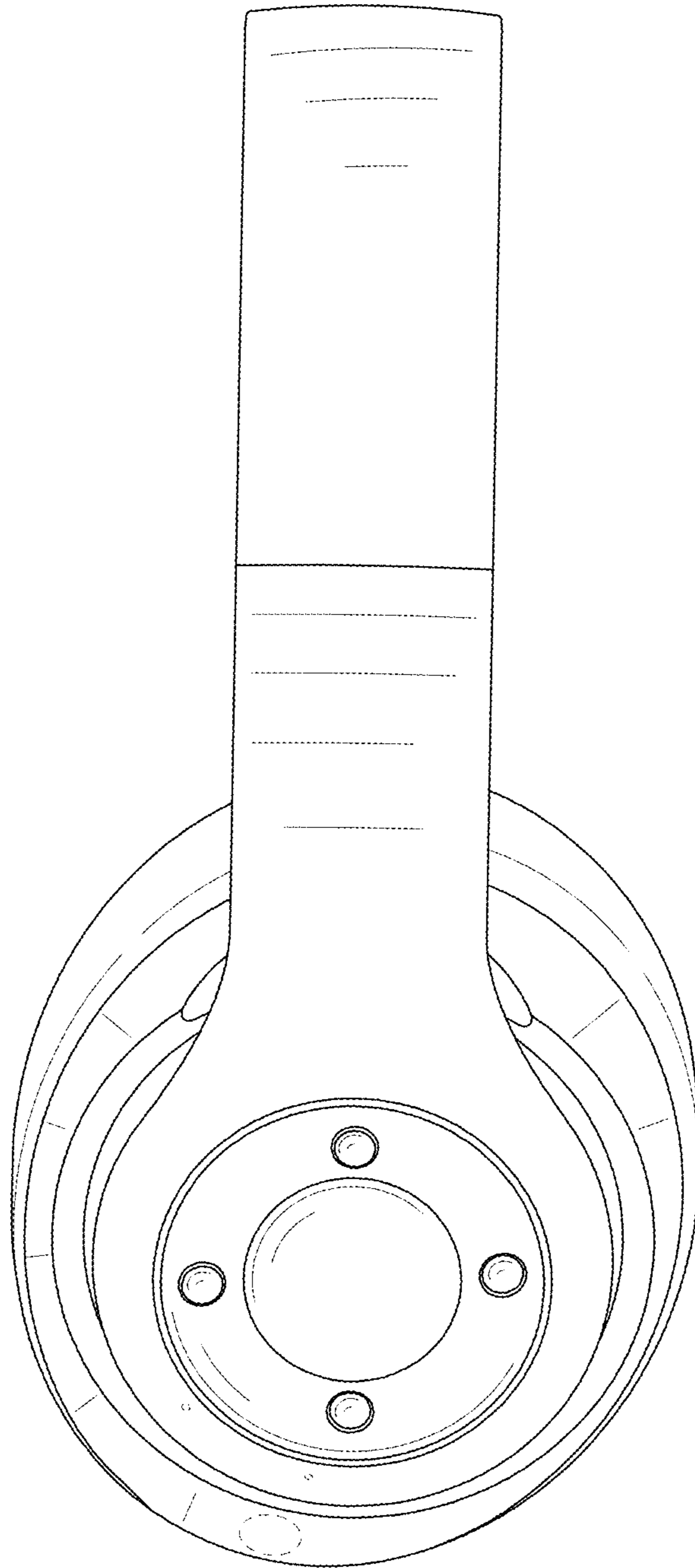


FIG. 4

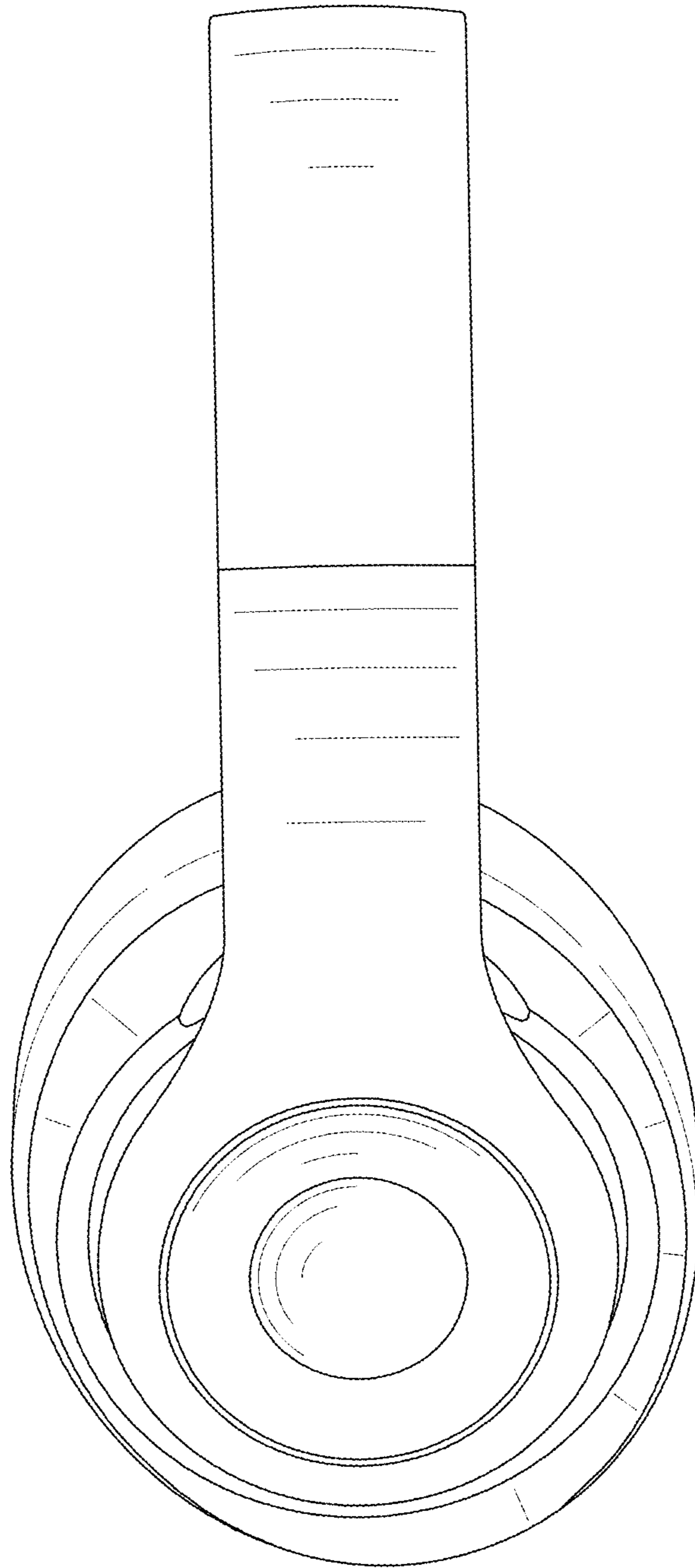


FIG. 5

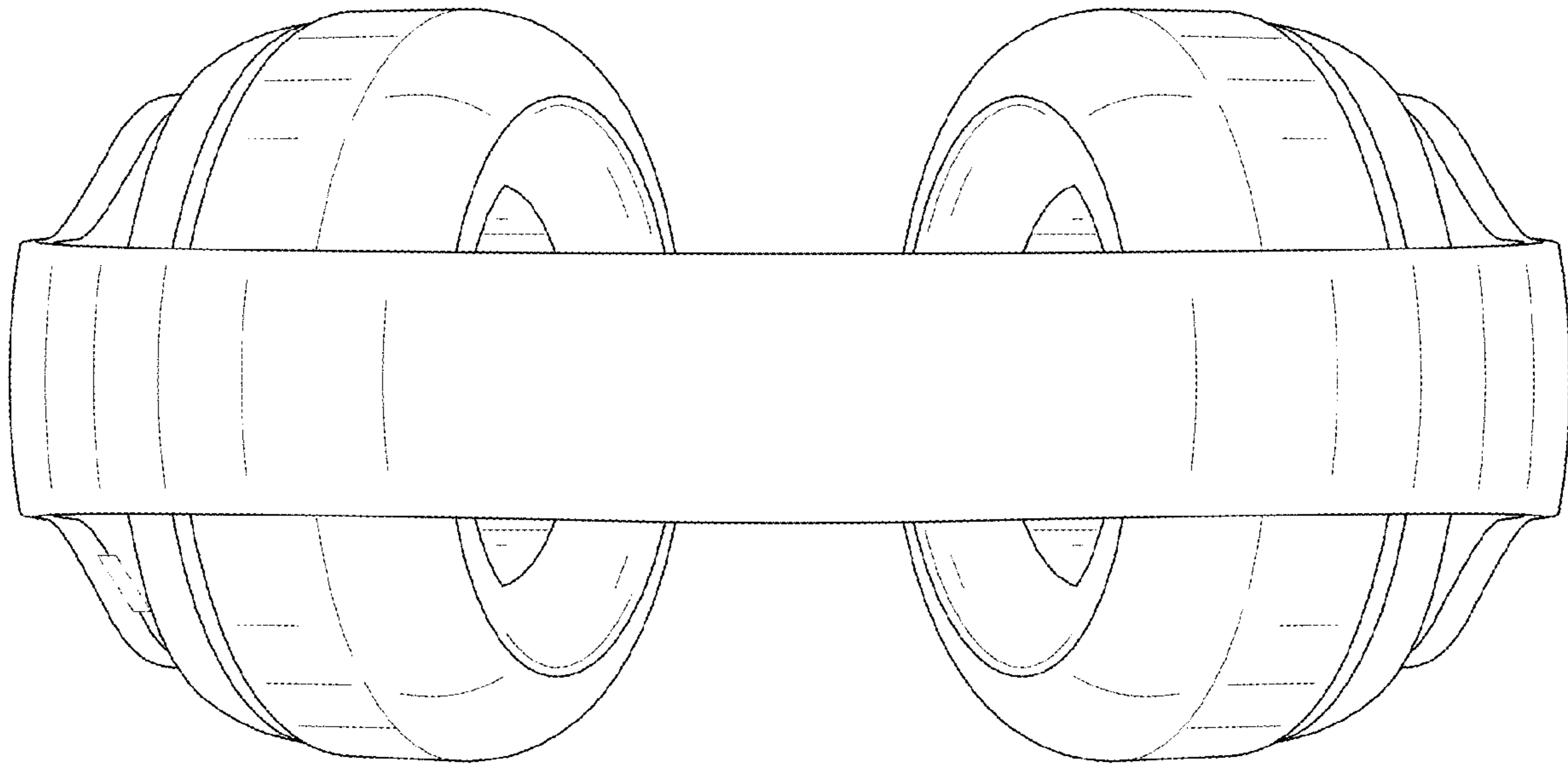


FIG. 6



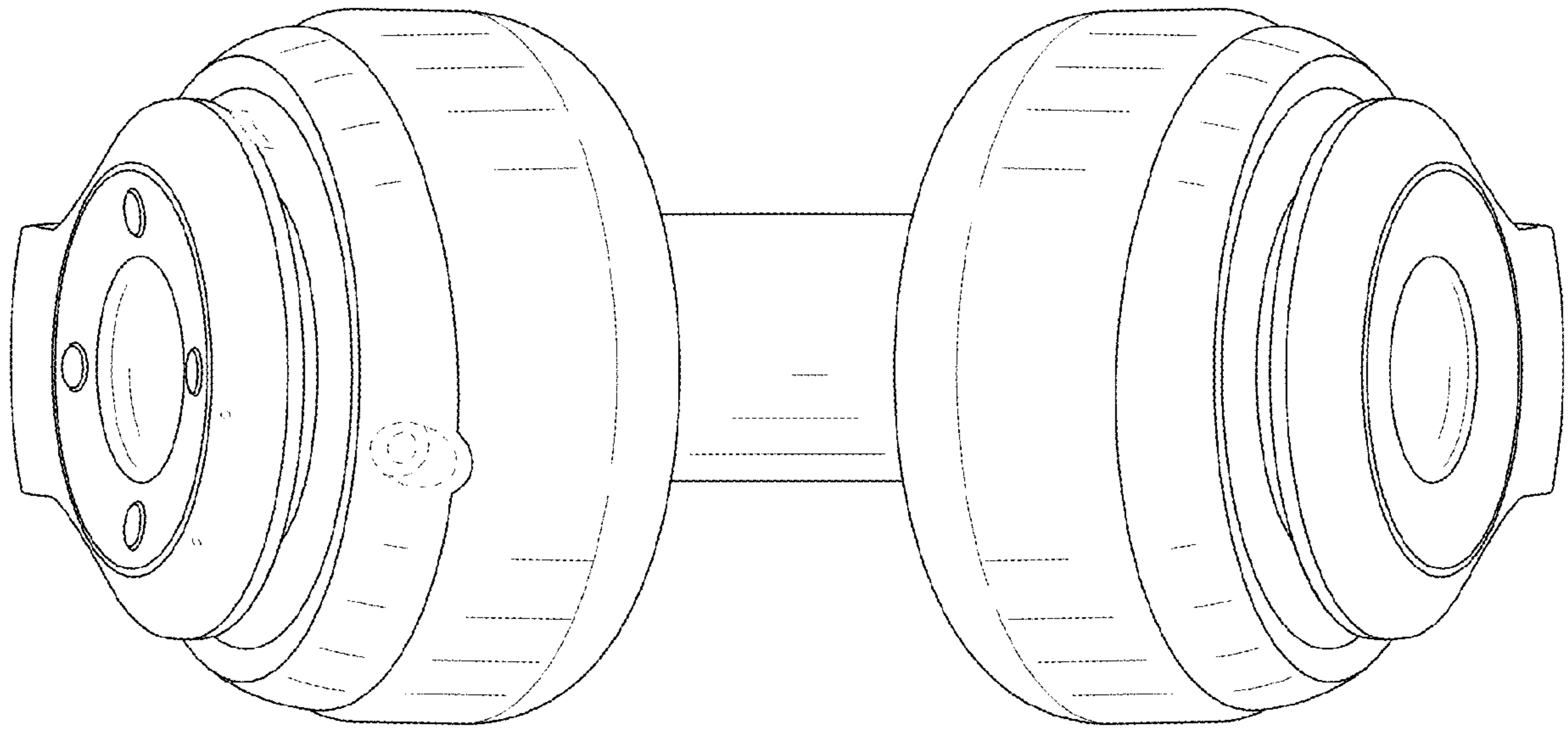


FIG. 7