

US00D967052S

(12) **United States Design Patent** (10) **Patent No.:** **US D967,052 S**  
**Takano** (45) **Date of Patent:** **\*\* Oct. 18, 2022**

(54) **SPEAKER**

D846,762 S \* 4/2019 Jiang ..... D26/2  
D910,200 S \* 2/2021 Reber ..... D24/224  
D929,315 S \* 8/2021 Luedke ..... D13/103

(71) Applicant: **Balmuda Inc.**, Tokyo (JP)

(72) Inventor: **Jun Takano**, Tokyo (JP)

(73) Assignee: **Balmuda Inc.**, Tokyo (JP)

(\*\*) Term: **15 Years**

(21) Appl. No.: **29/743,951**

(22) Filed: **Jul. 24, 2020**

(30) **Foreign Application Priority Data**

Feb. 6, 2020 (JP) ..... 2020-002215

(51) **LOC (13) Cl.** ..... **14-01**

(52) **U.S. Cl.**  
USPC ..... **D14/204**

(58) **Field of Classification Search**  
USPC ..... D9/549; D13/103; D26/37, 42, 49, 104;  
D28/89, 90, 91.1  
CPC ..... F21V 5/00; F21L 19/00; F21L 7/00; F21L  
4/027  
See application file for complete search history.

(56) **References Cited**

**U.S. PATENT DOCUMENTS**

4,702,690 A \* 10/1987 Sommers ..... F21L 19/00  
126/255  
D407,282 S \* 3/1999 MacNeil ..... D8/14  
6,179,431 B1 \* 1/2001 Chien ..... F21L 4/02  
362/184  
D600,639 S \* 9/2009 Tang ..... D13/103  
D675,766 S \* 2/2013 Guercio ..... D26/68  
D712,356 S \* 9/2014 Windom ..... D13/119  
D720,291 S \* 12/2014 Liu ..... D13/119  
D788,697 S \* 6/2017 Verleur ..... D13/103  
D841,225 S \* 2/2019 Liu ..... F21V 29/70  
D26/96

**FOREIGN PATENT DOCUMENTS**

JP 20202215 \* 6/2020  
KR 3020200020381 \* 4/2021

**OTHER PUBLICATIONS**

[I tried using 'Balmuda The Speaker'], available in gigazine.net, announced Year 2020 [online], [site visited Dec. 16, 2021], Internet URL: [https://gigazine.net/gsc\\_news/en/20200711-balmuda-the-speaker/](https://gigazine.net/gsc_news/en/20200711-balmuda-the-speaker/) (Year: 2020).\*

\* cited by examiner

*Primary Examiner* — Khawaja Anwar

*Assistant Examiner* — Megan Tiana Rakos

(74) *Attorney, Agent, or Firm* — Fitch, Even, Tabin & Flannery LLP

(57) **CLAIM**

I claim the ornamental design for a speaker, as shown and described.

**DESCRIPTION**

FIG. 1 is a perspective view of a speaker, showing my new design;

FIG. 2 is a front elevational view thereof;

FIG. 3 is a rear elevational view thereof;

FIG. 4 is a top plan view thereof;

FIG. 5 is a bottom plan view thereof;

FIG. 6 is a right side elevational view thereof;

FIG. 7 is a left side elevational view thereof; and,

FIG. 8 is a cross-sectional view thereof taken along line 8-8 of FIG. 2.

The dashed broken lines show portions of the speaker that form no part of the claimed design.

**1 Claim, 8 Drawing Sheets**

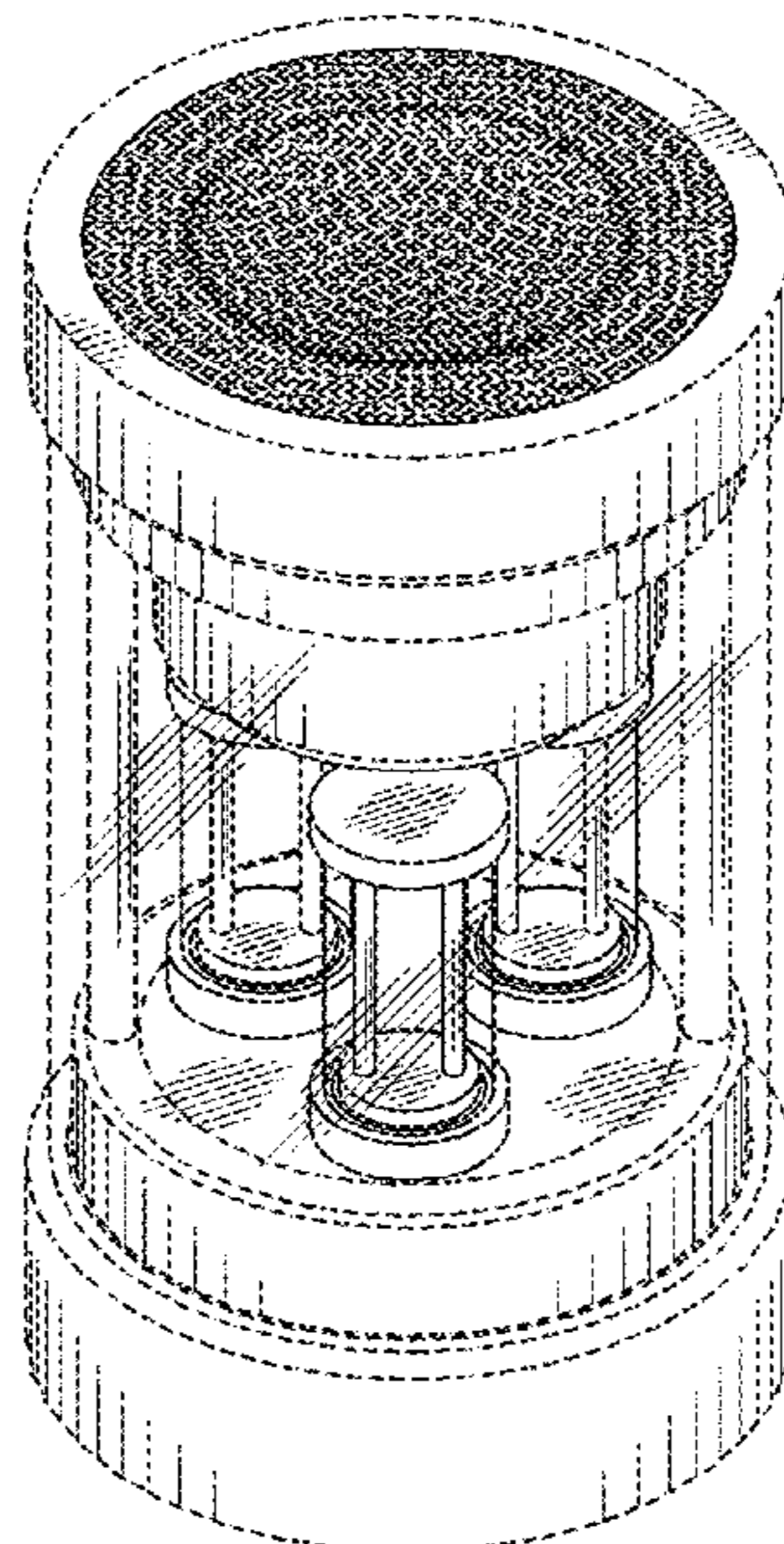


FIG 1.

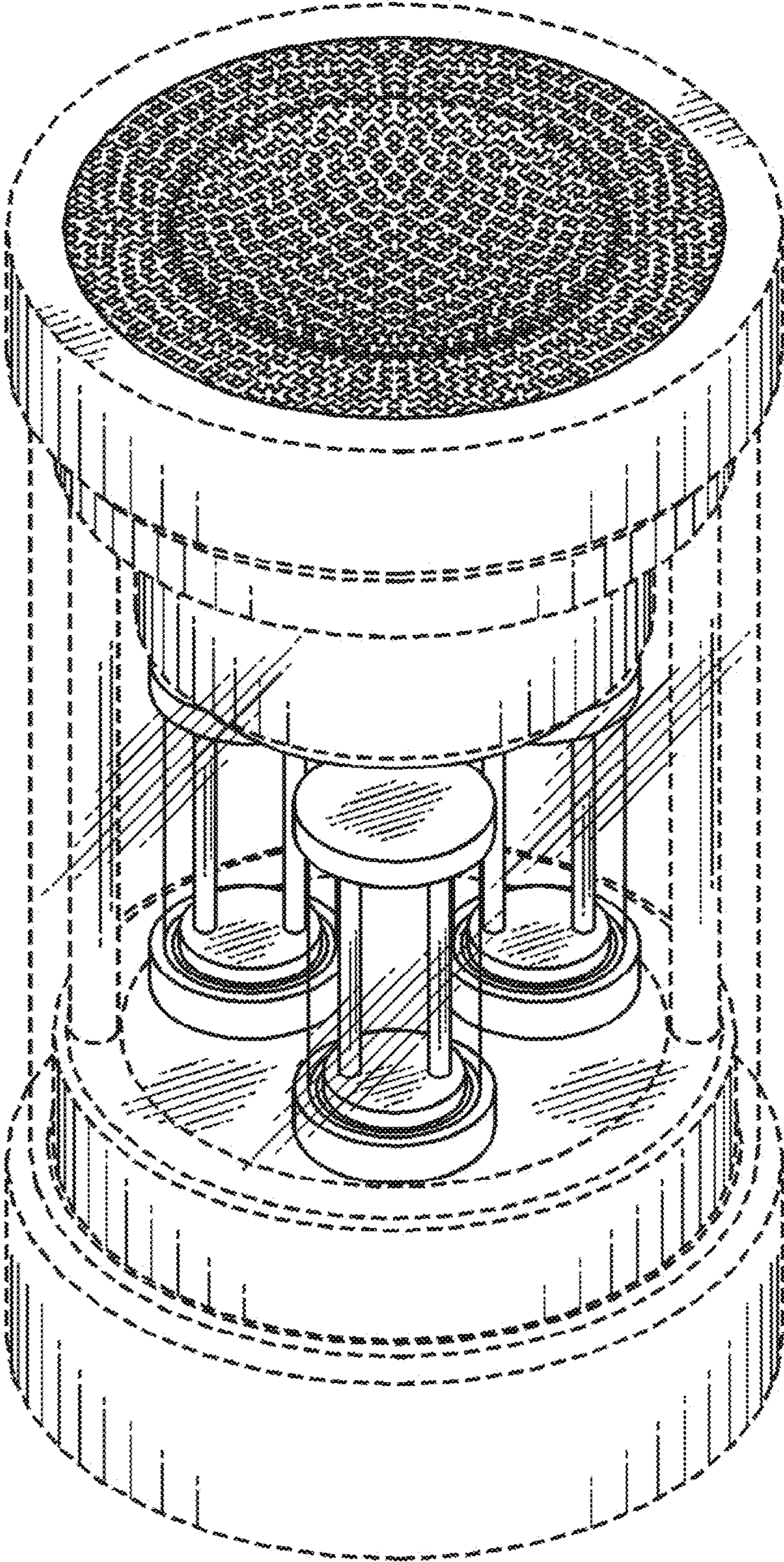


FIG 2.

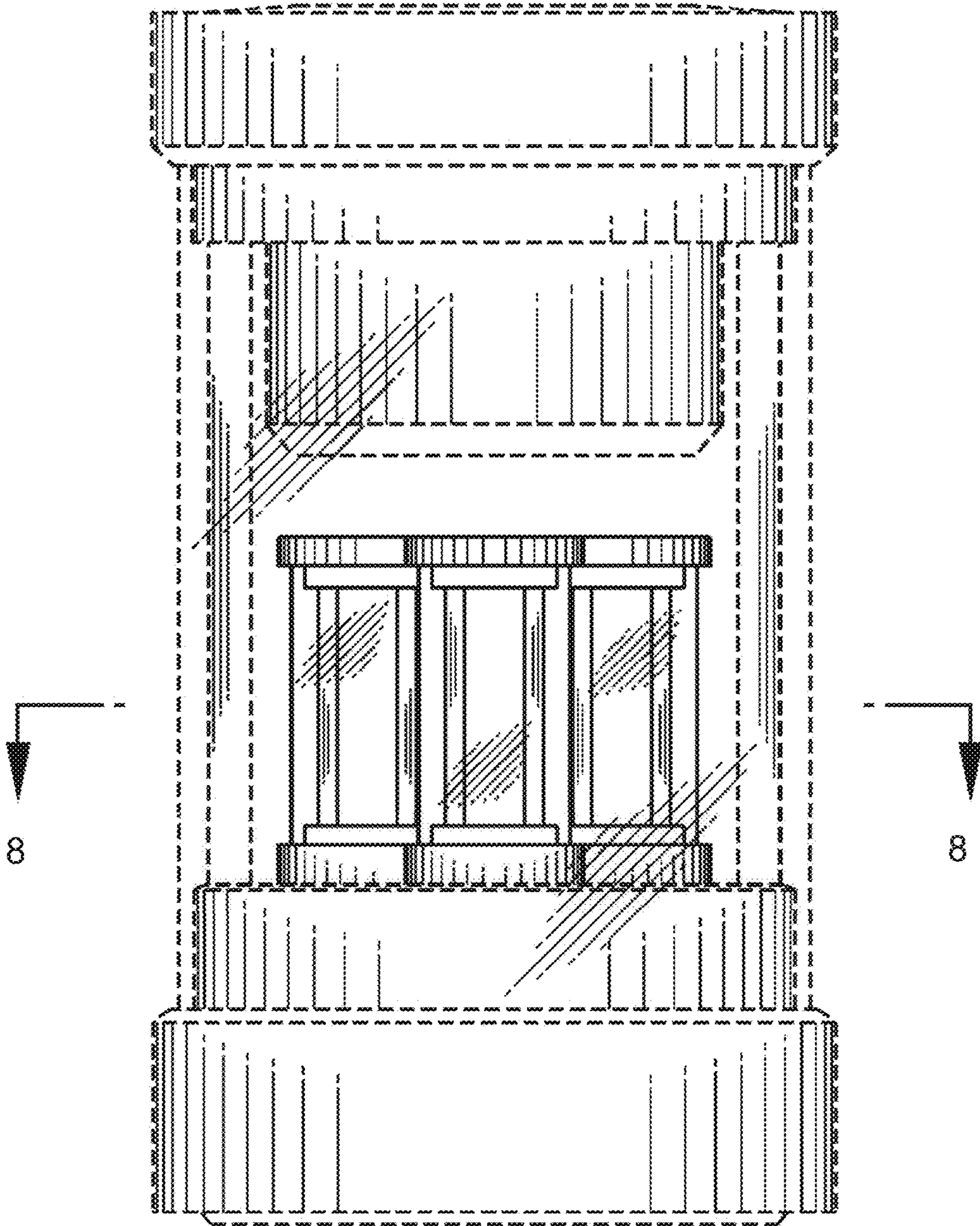


FIG. 3

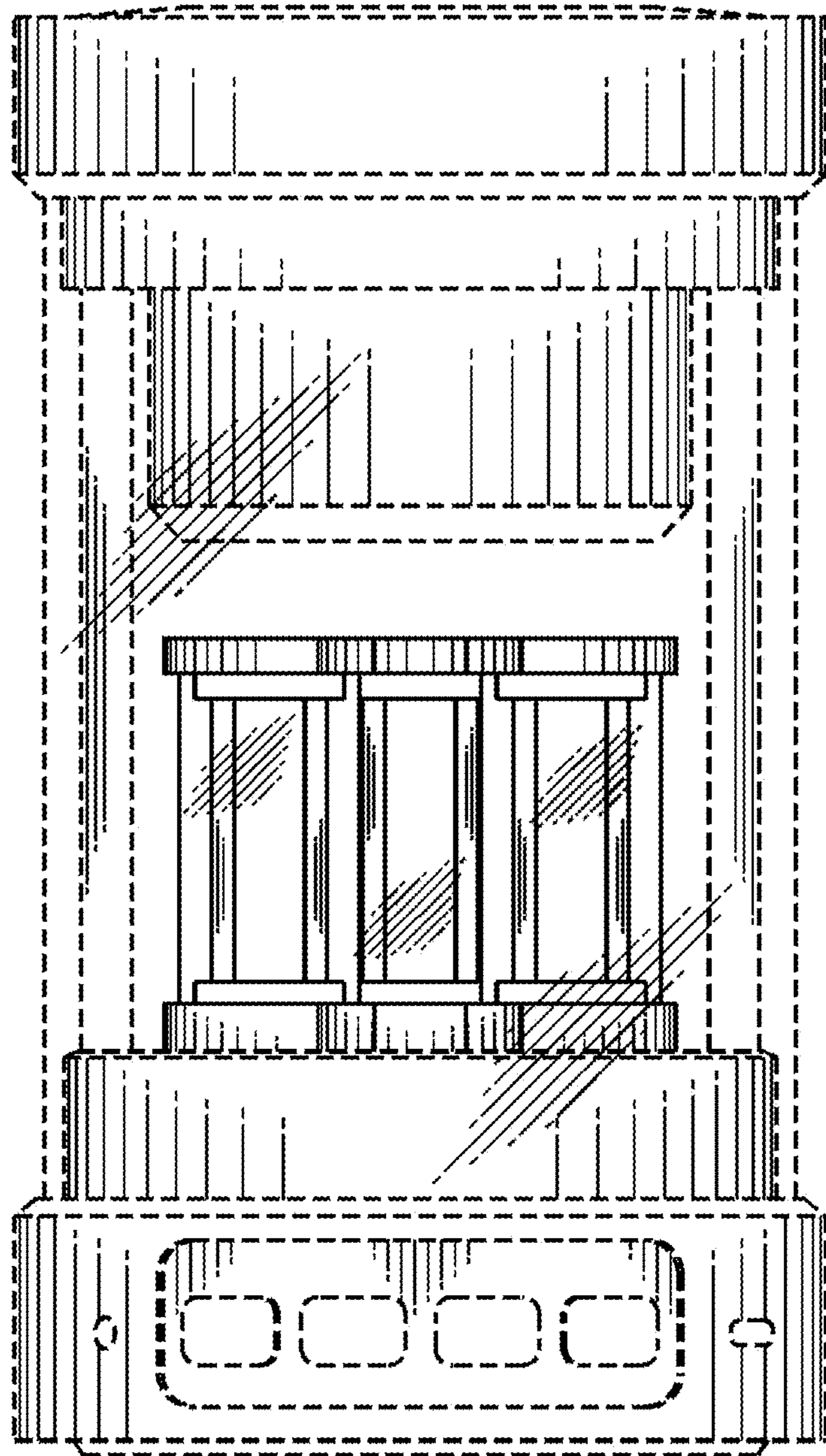


FIG. 4

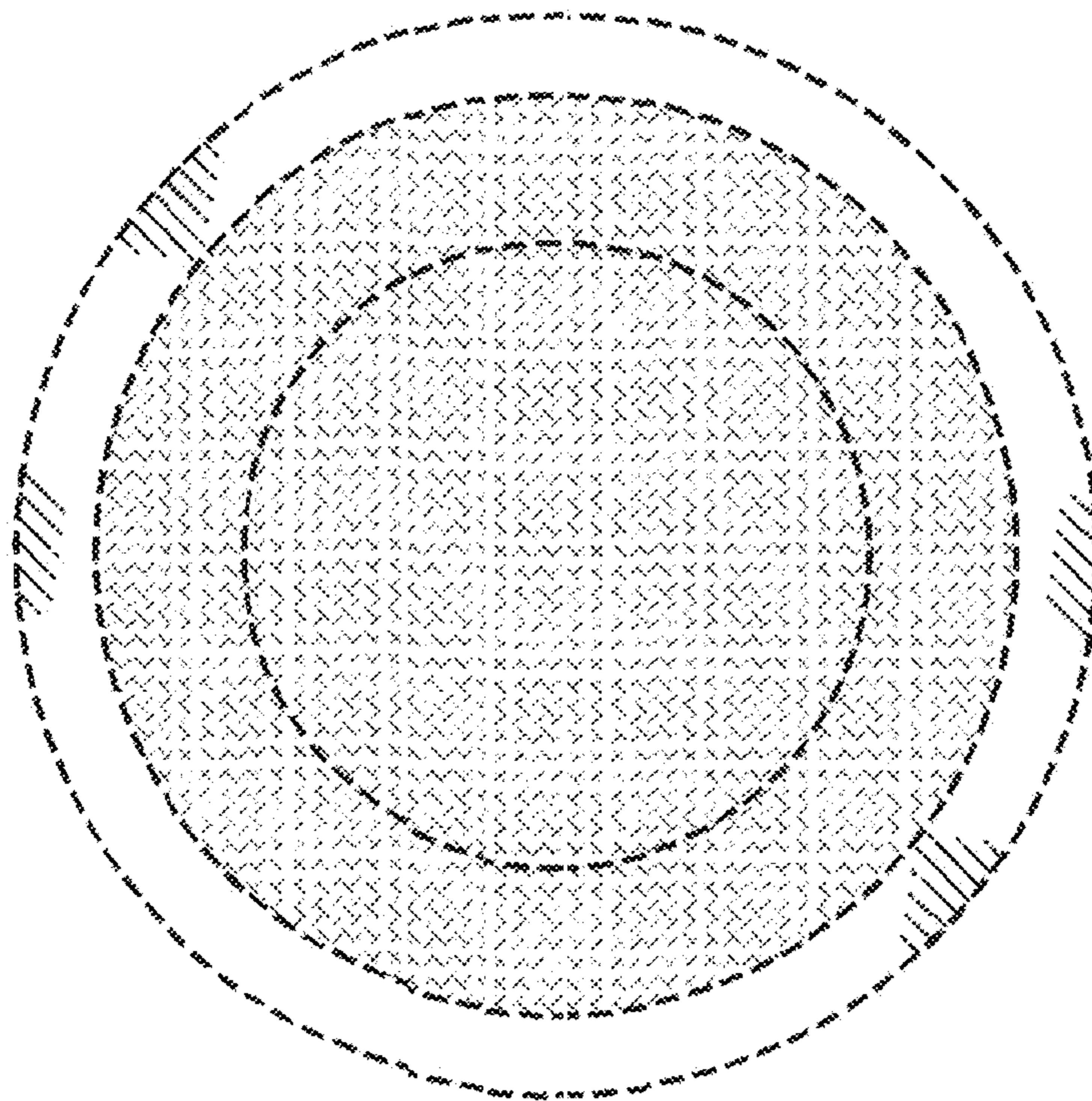
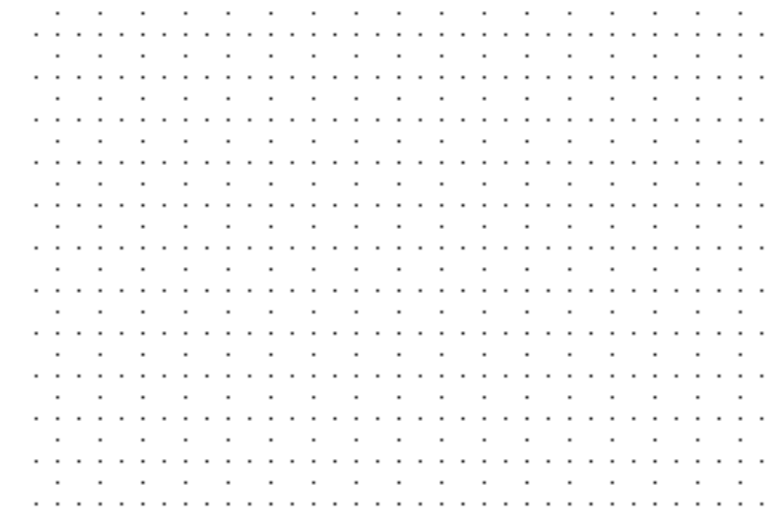


FIG. 5

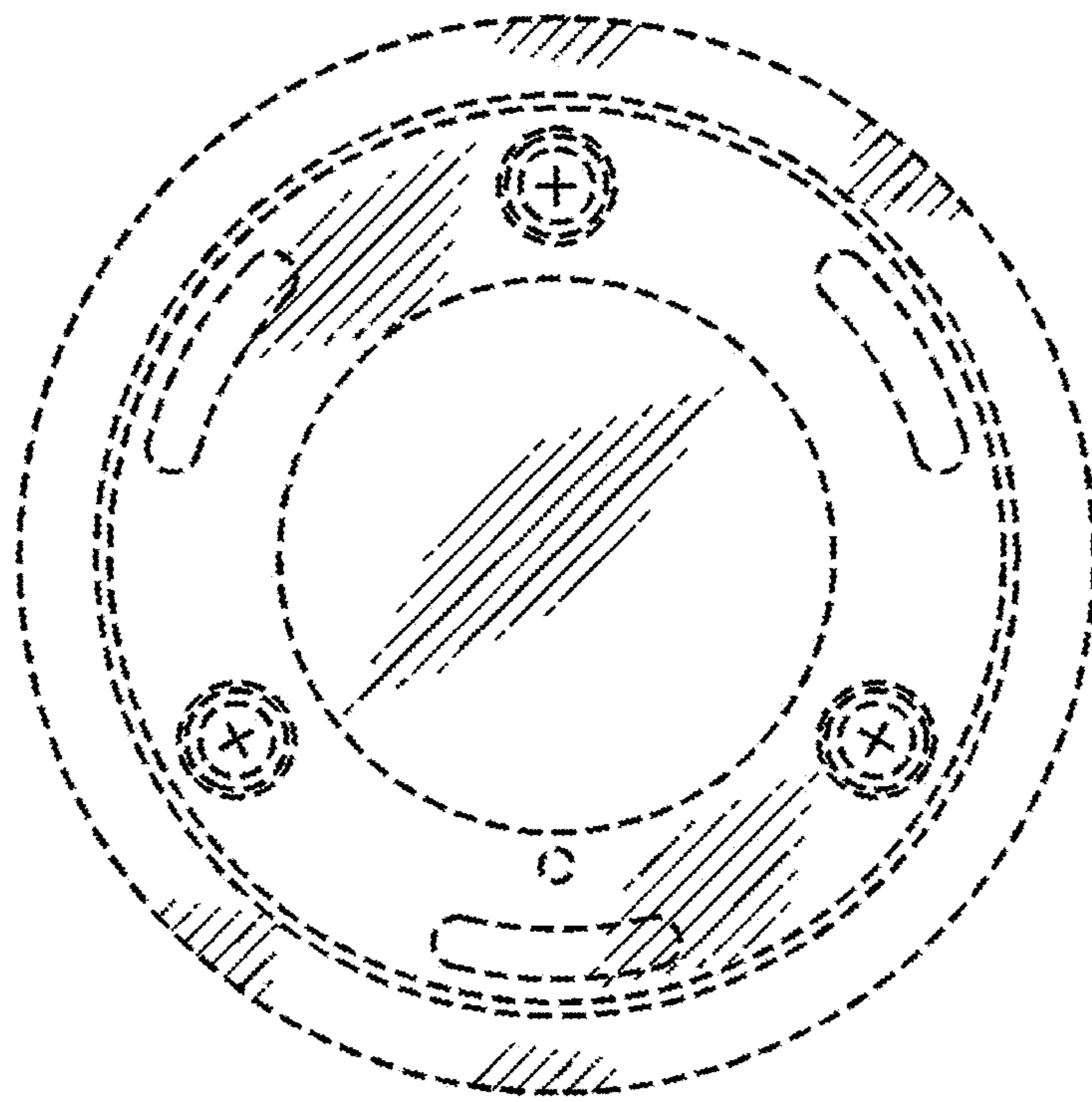


FIG 6.

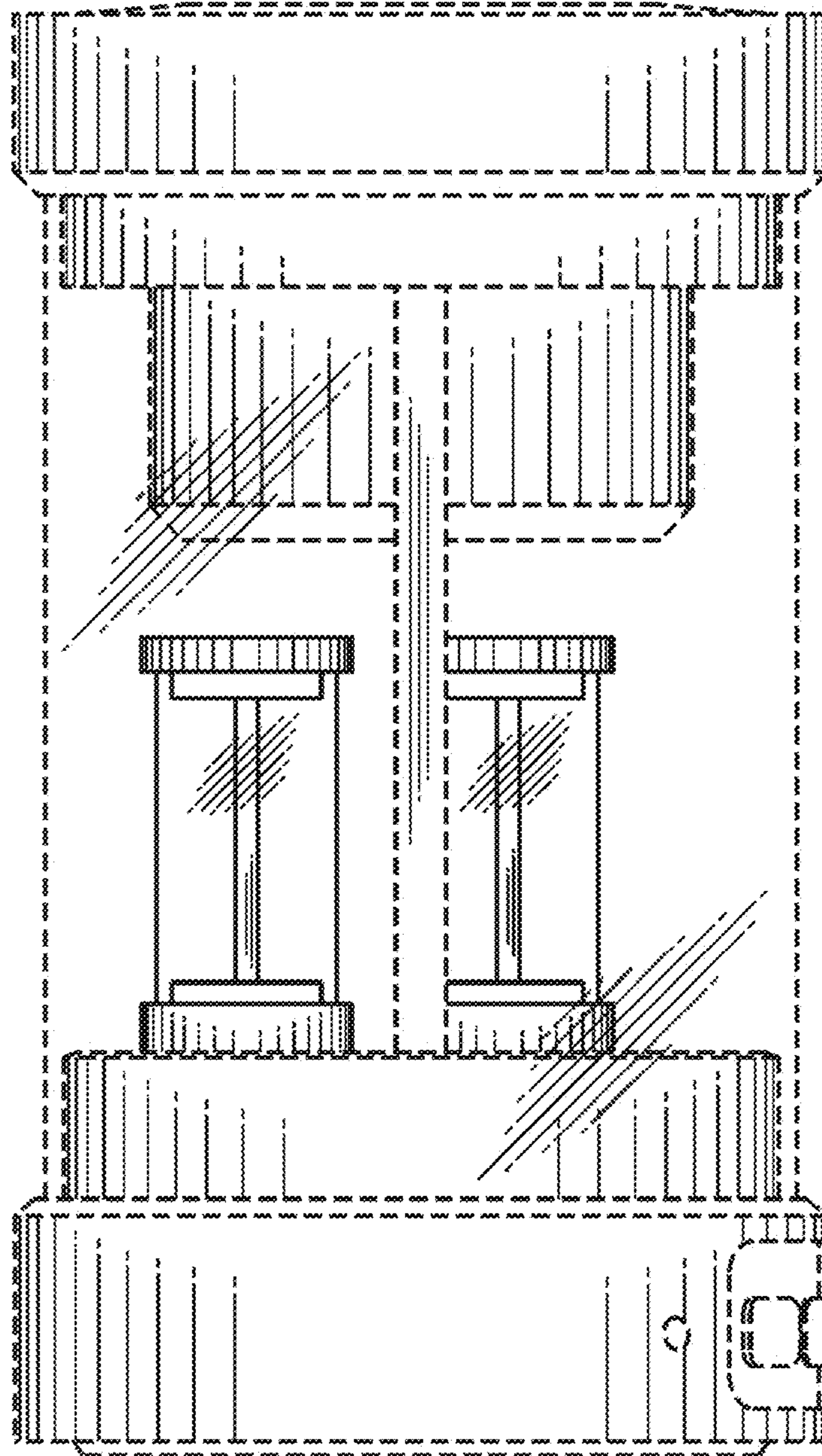
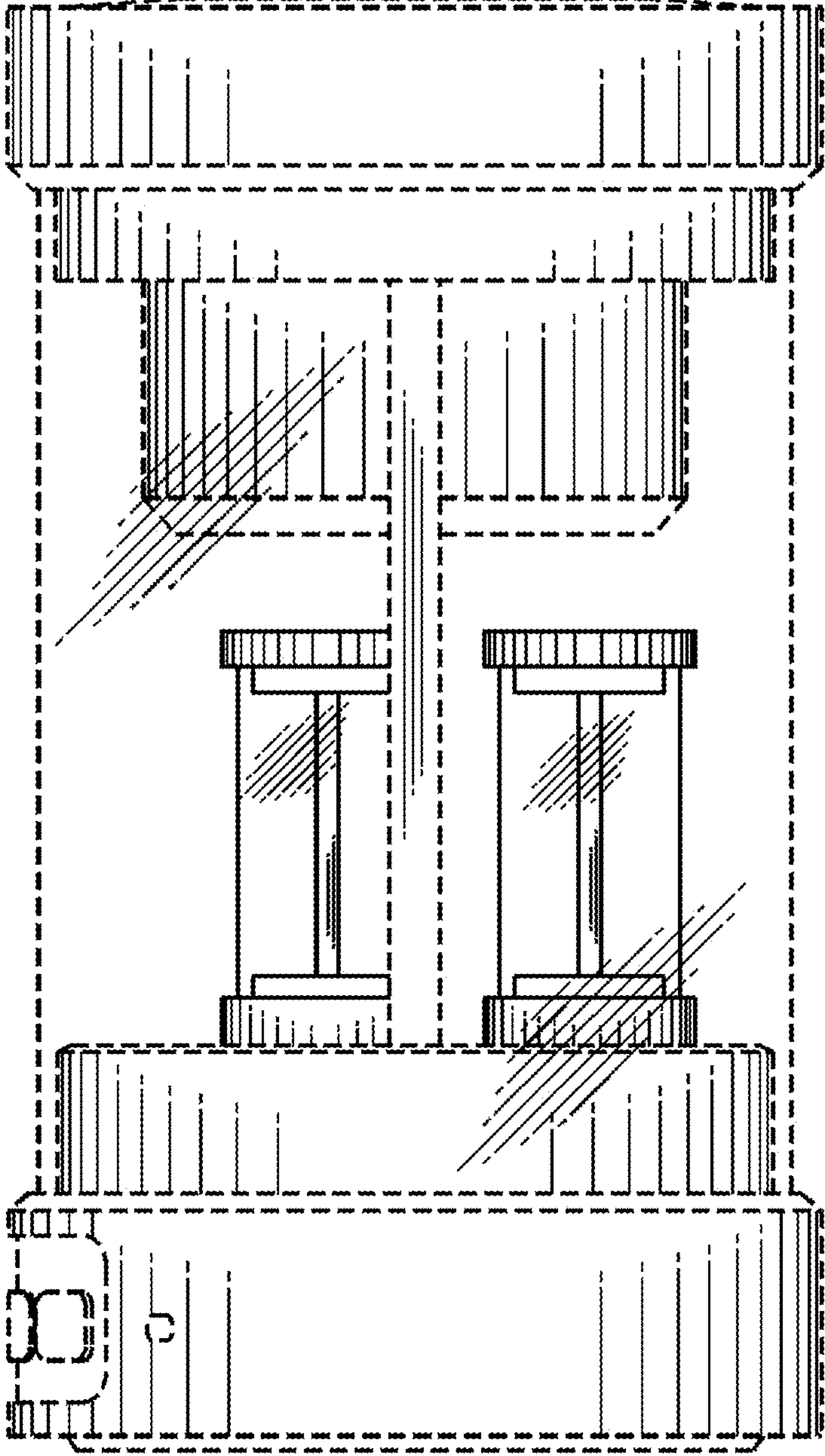


FIG. 7





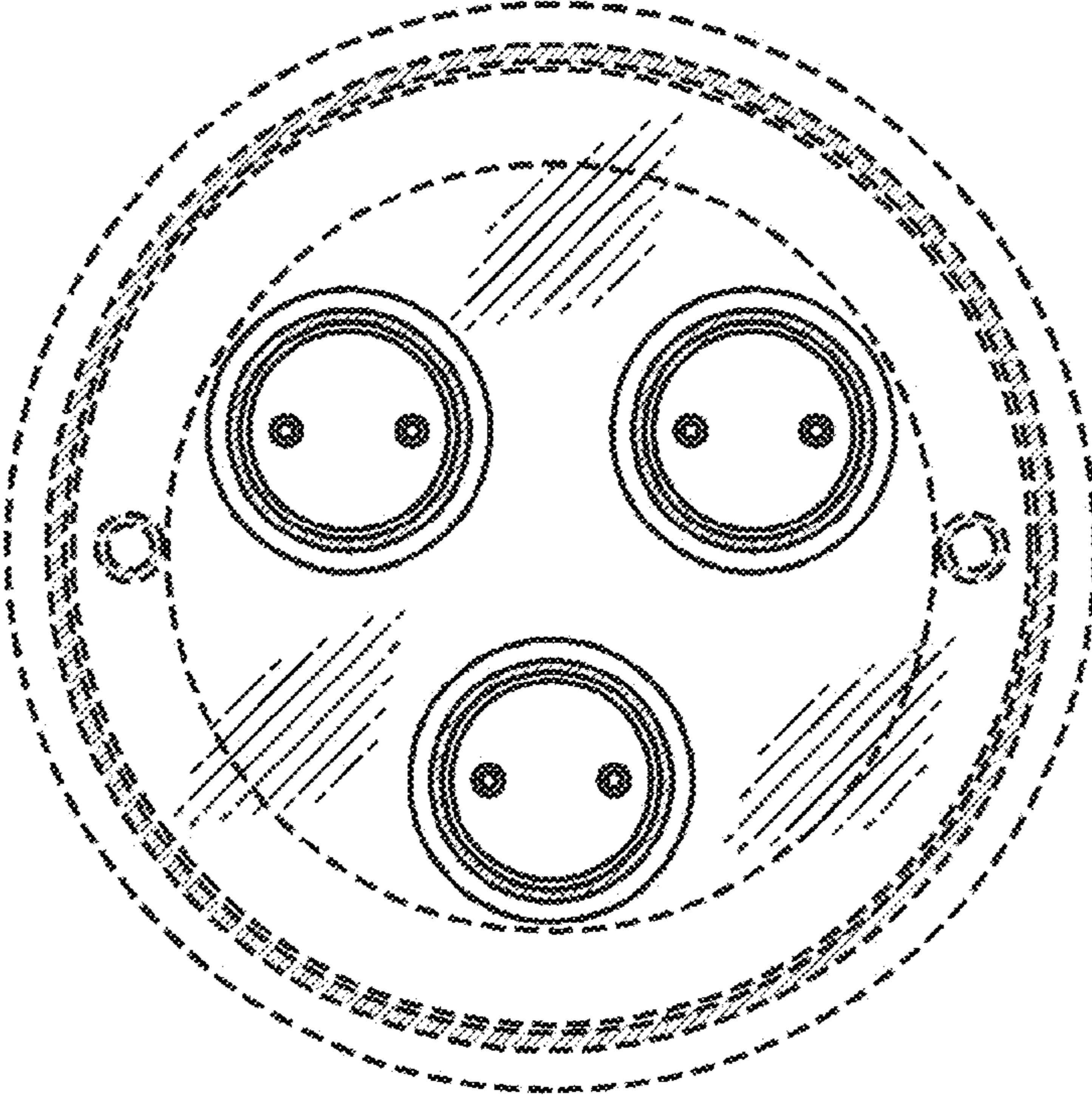


FIG. 8