



US00D967051S

(12) **United States Design Patent**
Mihara

(10) **Patent No.:** **US D967,051 S**
(45) **Date of Patent:** **** Oct. 18, 2022**

(54) **ON-VEHICLE ACOUSTIC AMPLIFIER**

(71) Applicant: **JVC KENWOOD Corporation**,
Yokohama (JP)

(72) Inventor: **Masaya Mihara**, Yokohama (JP)

(73) Assignee: **JVCKENWOOD Corporation**,
Yokohama (JP)

(**) Term: **15 Years**

(21) Appl. No.: **29/683,540**

(22) Filed: **Mar. 14, 2019**

(30) **Foreign Application Priority Data**

Dec. 19, 2018 (JP) 2018-027699

(51) **LOC (13) Cl.** **14-03**

(52) **U.S. Cl.**
USPC **D14/188**

(58) **Field of Classification Search**
USPC D14/137, 138 R-138 G, 155-159,
D14/160-173, 187-188, 189-193,
D14/203.1-203.8, 204-216, 217-222,
D14/225-229, 240-243, 357, 358, 496;
D16/135

CPC B60R 11/0217; H04M 1/03; H04M 1/035;
H04N 5/642; H04N 21/4852; H04R 1/02;
H04R 1/06; H04R 1/021; H04R 1/025;
H04R 1/026; H04R 1/028; H04R 1/105;
H04R 1/323; H04R 1/403; H04R 1/2803;
H04R 1/2834

See application file for complete search history.

(56) **References Cited**

U.S. PATENT DOCUMENTS

D252,810 S * 9/1979 Bocko D14/198
D259,565 S * 6/1981 Watanabe D14/197
D259,789 S * 7/1981 Watanabe D14/197
D464,647 S * 10/2002 Goto D14/348
D531,589 S * 11/2006 Hsu D13/184

(Continued)

FOREIGN PATENT DOCUMENTS

CN 305255032 * 7/2019
CN 305260814 * 7/2019

(Continued)

OTHER PUBLICATIONS

Kenwood Excelon X802-5 Class D 5-Channel Power Amplifier,
date first available: Feb. 6, 2019, [retrieved Apr. 9, 2021], Retrieved
from Internet, URL: <https://www.amazon.com/Kenwood-eXcelon-X802-5-Channel-Amplifier/dp/B07NF9SL8Y/ref=asc_df_B07NF9SL8Y/?tag=hyprod-20&linkCode=df0&hv%E2%80%A6>
(Year: 2019).*

(Continued)

Primary Examiner — Messina L Smith

Assistant Examiner — Aram Kwon

(74) *Attorney, Agent, or Firm* — Amin, Turocy & Watson,
LLP

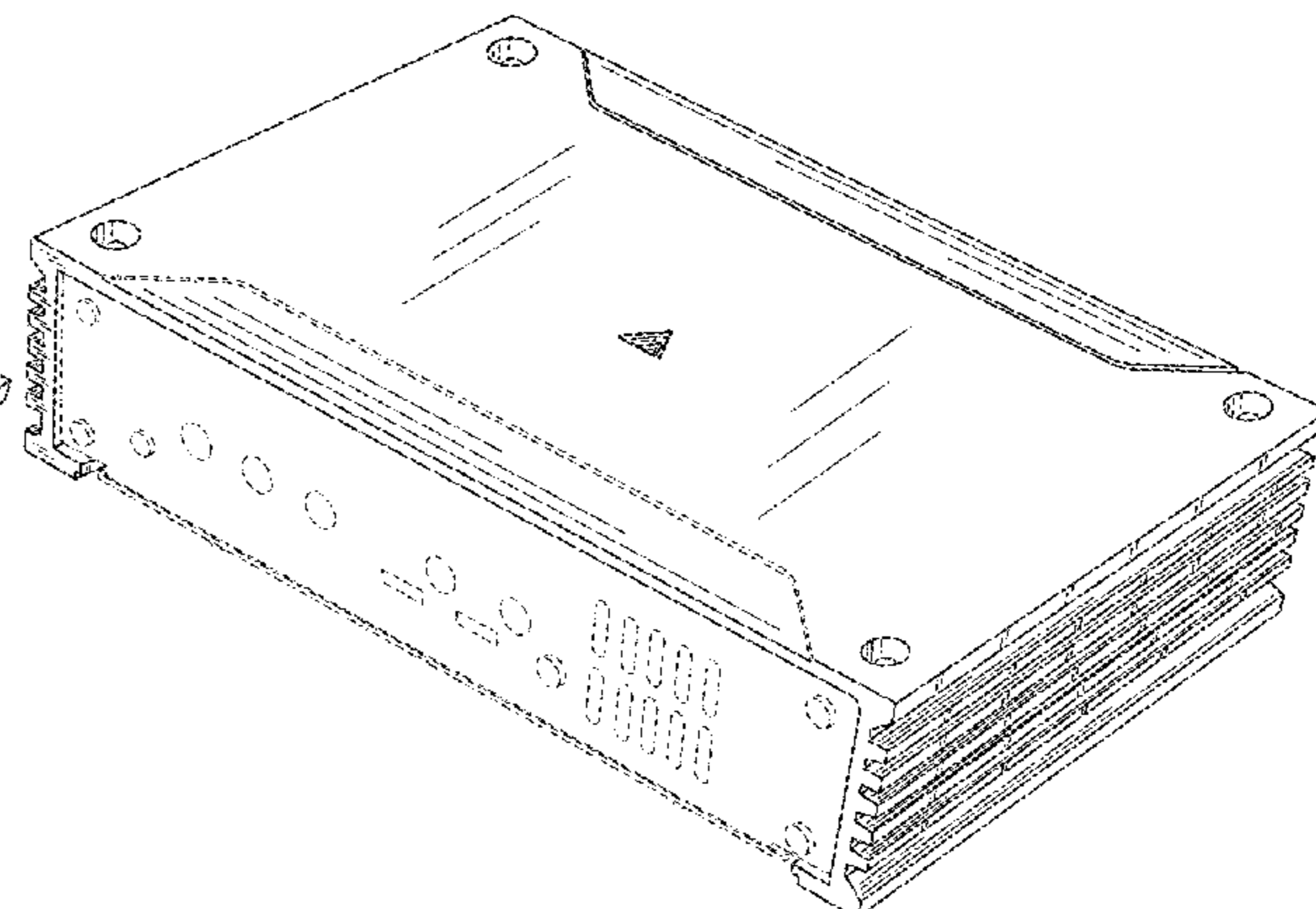
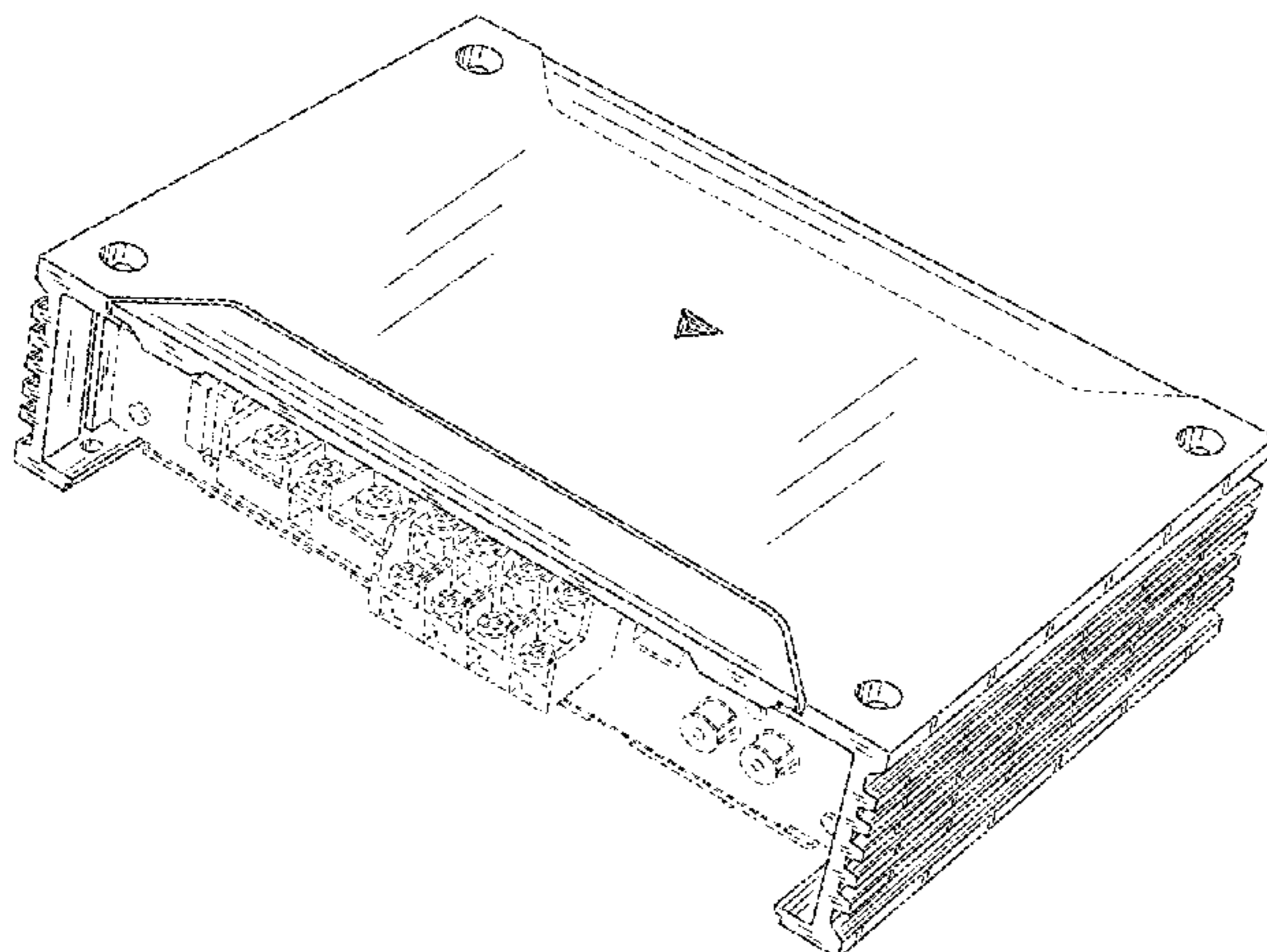
(57) **CLAIM**

The ornamental design for an on-vehicle acoustic amplifier,
as shown and described.

DESCRIPTION

FIG. 1 is a front, bottom perspective view of an on-vehicle
acoustic amplifier showing my new design;
FIG. 2 is a front, top perspective view thereof;
FIG. 3 is a front elevational view thereof;
FIG. 4 is a rear elevational view thereof;
FIG. 5 is a top plan view thereof;
FIG. 6 is a bottom plan view thereof;
FIG. 7 is a left side elevational view thereof; and,
FIG. 8 is a right side elevational view thereof.
The broken lines in the drawings are for the purpose of
illustrating portions of the on-vehicle acoustic amplifier that
form no part of the claimed design.

1 Claim, 5 Drawing Sheets



(56)

References Cited

U.S. PATENT DOCUMENTS

D656,120 S * 3/2012 Sasaki D14/188
 D656,121 S * 3/2012 Sugita D14/188
 D666,166 S * 8/2012 Harada D14/188
 D705,762 S * 5/2014 Yu D14/240
 D727,870 S * 4/2015 Muramoto D14/188
 D886,087 S * 6/2020 Jang D14/240
 2006/0291189 A1 * 12/2006 Mahgerefteh F21V 33/0056
 362/86

FOREIGN PATENT DOCUMENTS

JP D1640677 * 9/2019
 JP D1679304 * 2/2021

OTHER PUBLICATIONS

Kenwood—Class D Bridgeable Multichannel Amplifier, review date: 2020, [retrieved Apr. 9, 2021], Retrieved from Internet, URL: <<https://www.bestbuy.com/site/kenwood-class-d-bridgeable-multichannel-amplifier-with-variable-crossovers-black/6330250.p?skuld=6330250&ref=212%E2%80%A6>> (Year: 2020).*

Kenwood Excelon X802-5, review date: Apr. 25, 2019, [retrieved Apr. 9, 2021], Retrieved from Internet, URL: <https://www.crutchfield.com/S-J6d4v7twCXS/p_113X8025/Kenwood-Excelon-X802-5.html?XVINQ=GLX&awkw=635104992168&awat=pla&awnw=g&awcr=331339063388&awdv=c&awug=9007779&gclid=EAlalQobC%E2%80%A6>(Year: 2019).*

Kenwood eXcelon X802-5, X302-4, X502-1 Amplifiers Unboxing, Mar. 7, 2019, [retrieved Apr. 9, 2021], Retrieved from Internet, URL: <<https://www.youtube.com/watch?v=3cwLWpXjAJs>> (Year: 2019).*

* cited by examiner

Fig.1

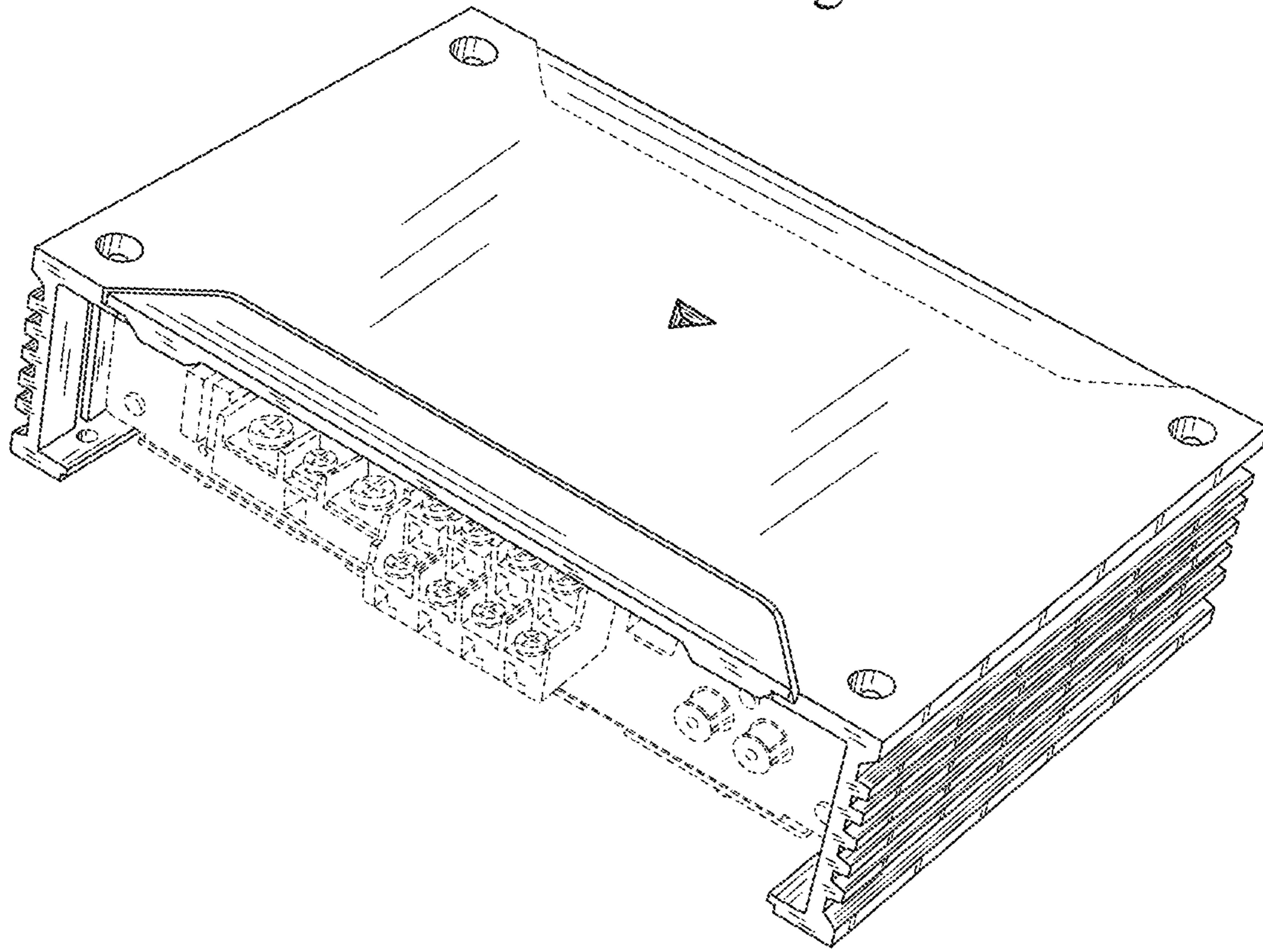


Fig.2

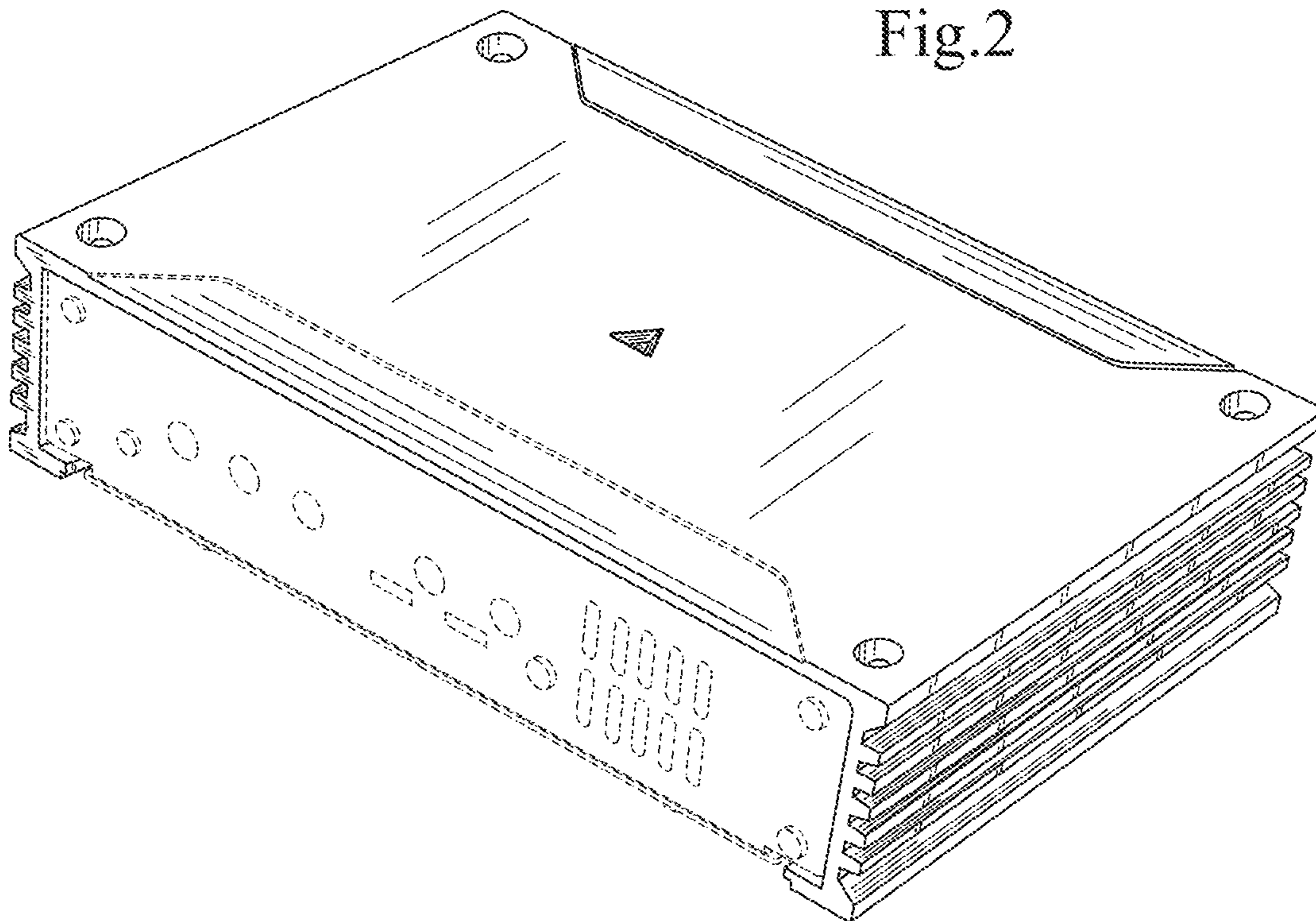


Fig.3

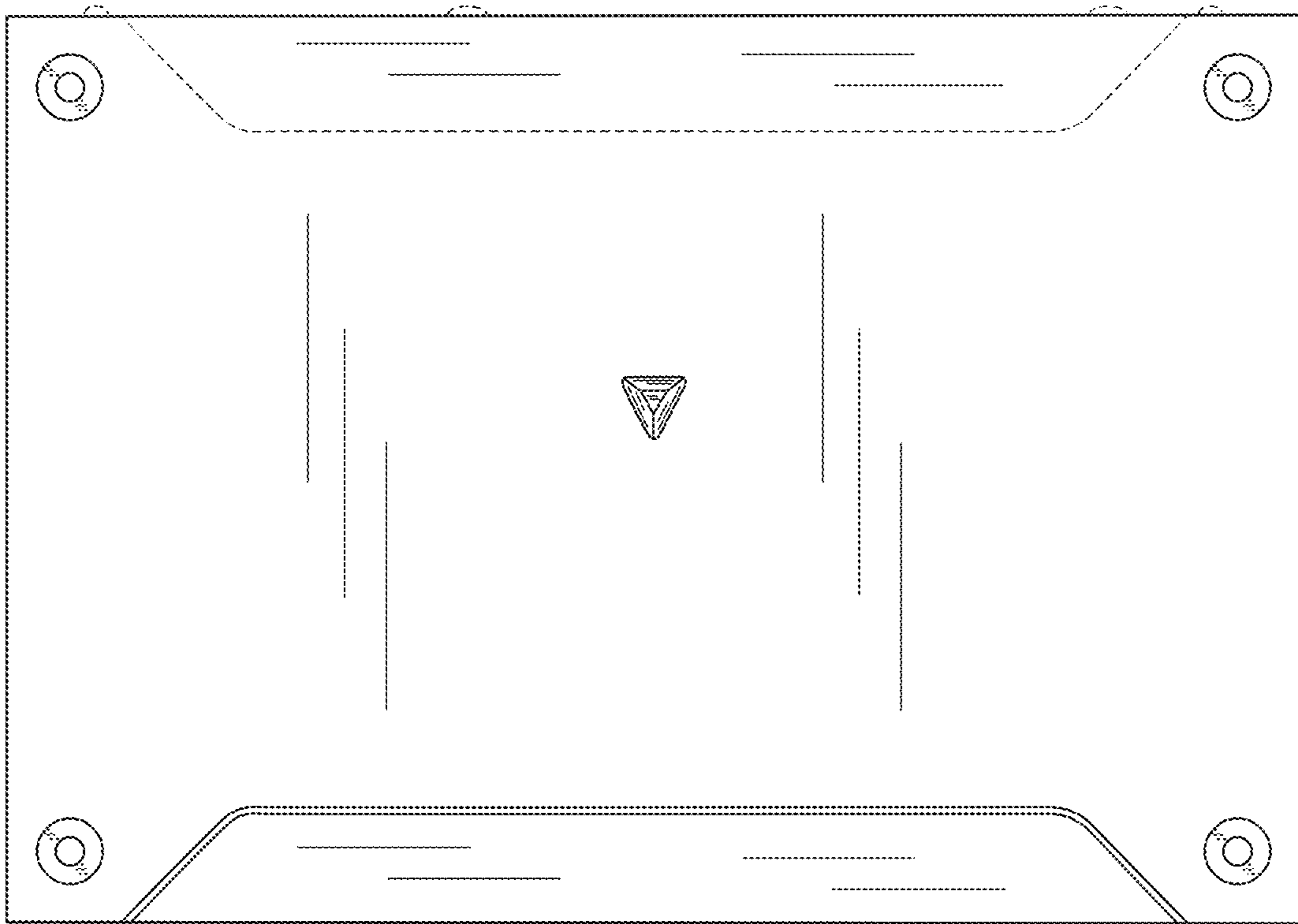


Fig.4

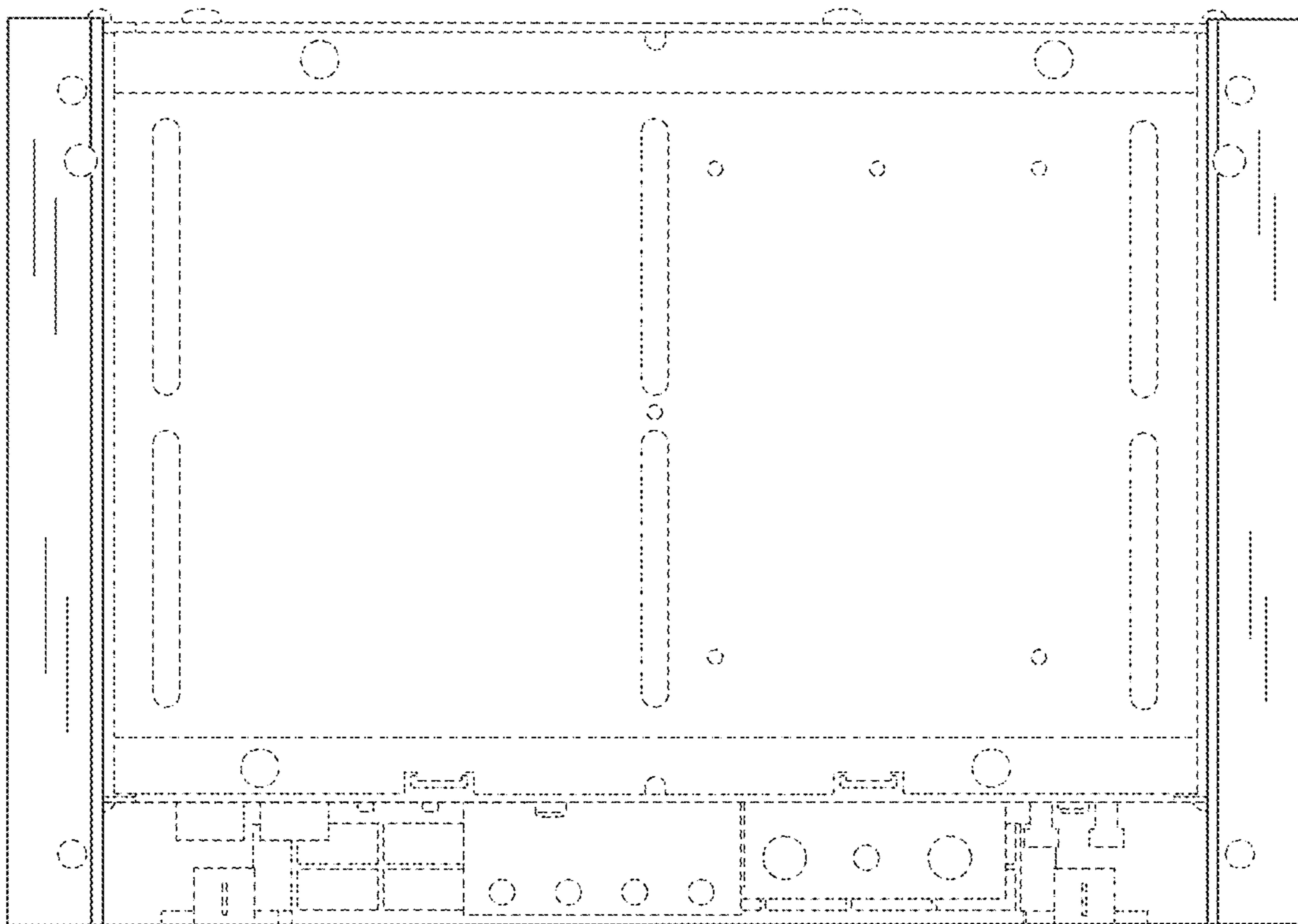


Fig.5

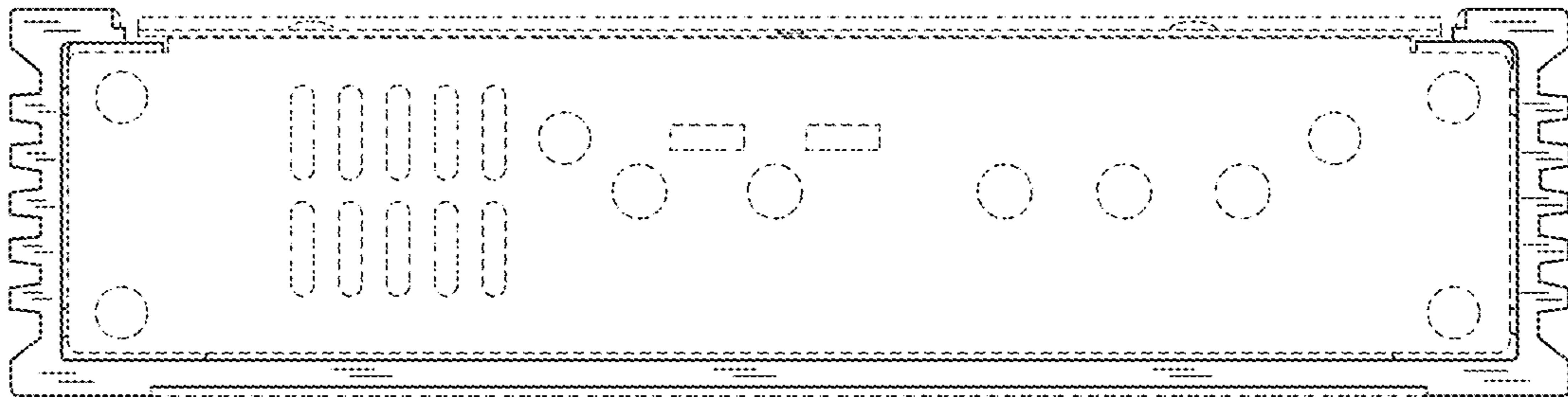


Fig.6

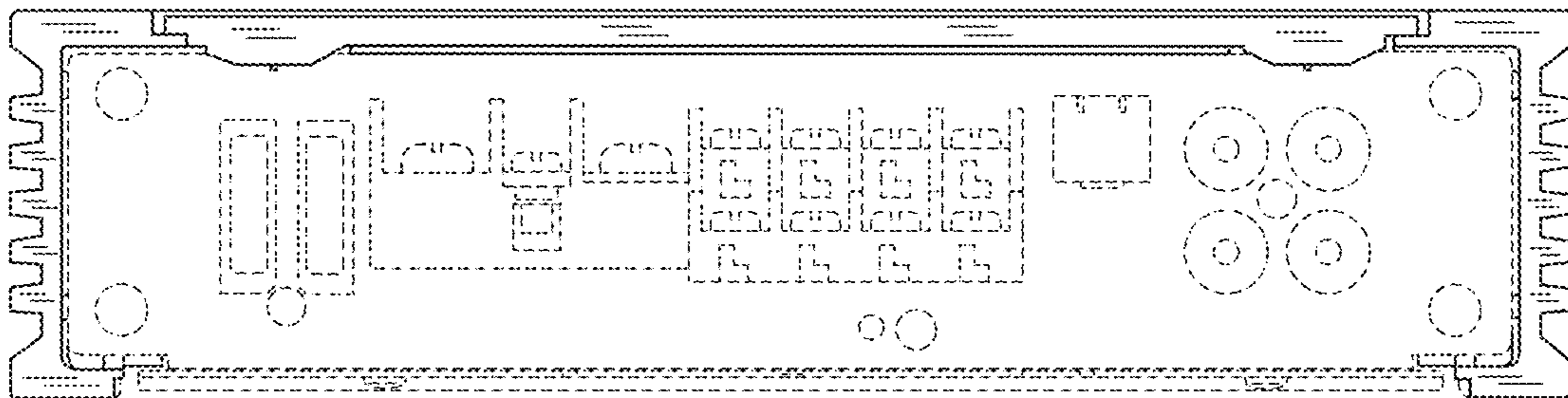


Fig.7

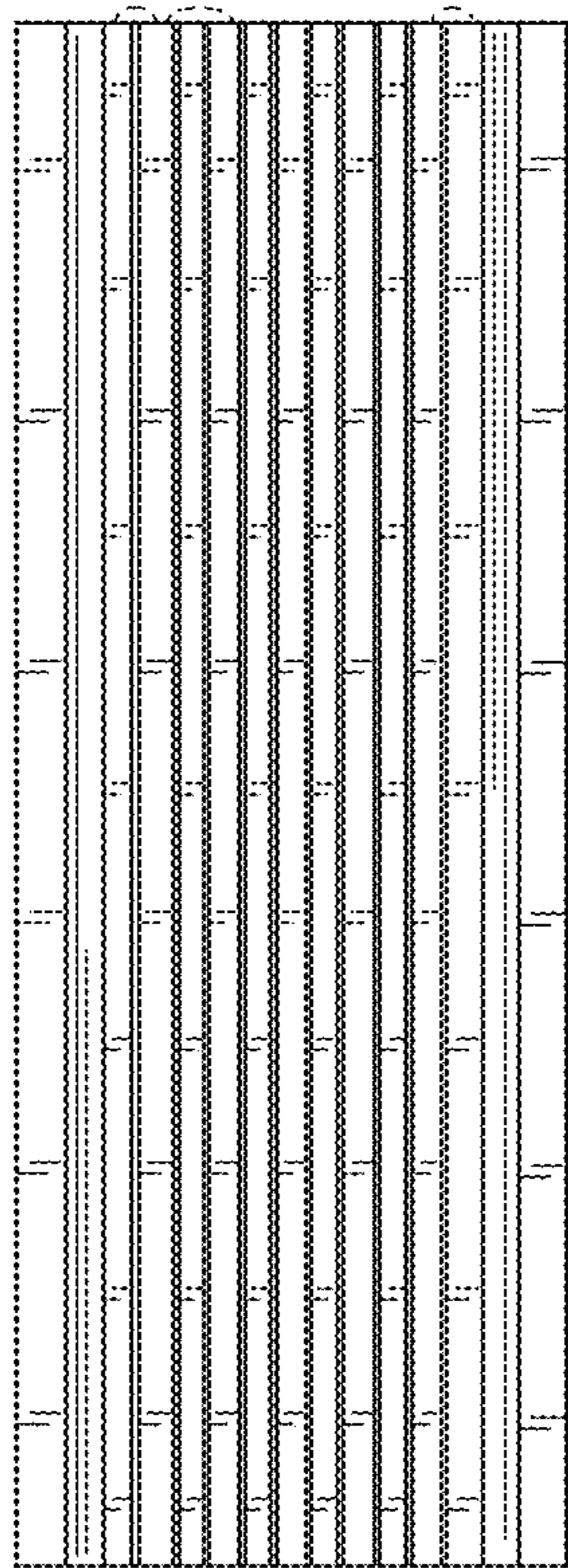


Fig.8

