



US00D967046S

(12) **United States Design Patent**
Lee et al.

(10) **Patent No.:** **US D967,046 S**
(45) **Date of Patent:** **** Oct. 18, 2022**

(54) **MOBILE PHONE**

- (71) Applicant: **LG ELECTRONICS INC.**, Seoul (KR)
- (72) Inventors: **Jonghak Lee**, Seoul (KR); **Sojin Kim**, Seoul (KR); **Jinki Min**, Seoul (KR); **Hongkyu Park**, Seoul (KR); **Seunghyun Ji**, Seoul (KR)
- (73) Assignee: **LG ELECTRONICS INC.**, Seoul (KR)

- (**) Term: **15 Years**
- (21) Appl. No.: **29/708,924**
- (22) Filed: **Oct. 10, 2019**

(30) **Foreign Application Priority Data**

Apr. 10, 2019 (JP) 2019-007908

- (51) **LOC (13) Cl.** **14-03**
- (52) **U.S. Cl.**
USPC **D14/138 AD; D14/341**
- (58) **Field of Classification Search**
USPC D14/138 AD, 138 R, 138 AA, 341, 345, D14/346, 203.1, 203.3, 203.4, 203.7, 248,
(Continued)

(56) **References Cited**

U.S. PATENT DOCUMENTS

- 7,558,057 B1 * 7/2009 Naksen G06F 1/1688
361/679.56
- D712,401 S * 9/2014 Lee D14/341
(Continued)

FOREIGN PATENT DOCUMENTS

- CN 303428801 * 1/2015
- CN 306541527 * 5/2021
- WO D203668-001 * 11/2019

OTHER PUBLICATIONS

Leaked Images show TCL prototype phone with expandable, slide-out display, The Verge, by Jon Porter, dated Feb. 17, 2020, [online], [site visited Mar. 8, 2022]. Available from Internet, URL: <https://www.theverge.com/2020/2/17/21140897/tcl-slide-out-screen-foldable-device-leaked-images> (Year: 2020).*

(Continued)

Primary Examiner — Jeffrey D Asch

(74) *Attorney, Agent, or Firm* — Birch, Stewart, Kolasch & Birch, LLP

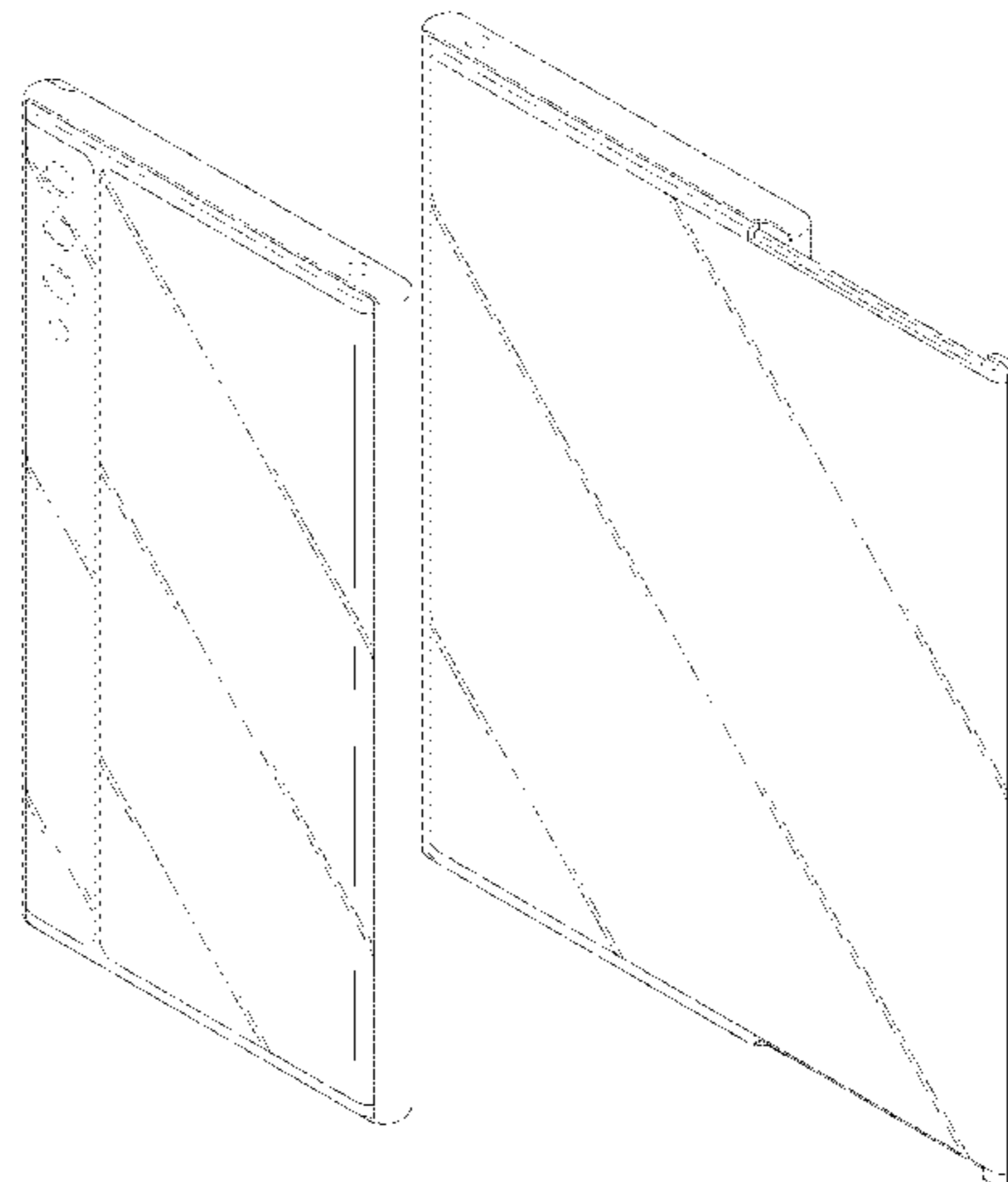
(57) **CLAIM**

The ornamental design for a mobile phone, as shown and described.

DESCRIPTION

FIG. 1 is a front perspective view of the mobile phone showing our new design;
 FIG. 2 is a front view thereof;
 FIG. 3 is a rear view thereof;
 FIG. 4 is a left side view thereof;
 FIG. 5 is a right side view thereof;
 FIG. 6 is a top plan view thereof;
 FIG. 7 is a bottom plan view thereof;
 FIG. 8 is a rear perspective view thereof;
 FIG. 9 is a rear perspective view showing the use state in which rear display part is operated, showing example displayed information;
 FIG. 10 is a front perspective view in a condition that the claimed design has been expanded completely;
 FIG. 11 is a front view of FIG. 10;
 FIG. 12 is a rear view of FIG. 10;
 FIG. 13 is a left side view of FIG. 10;
 FIG. 14 is a right side view of FIG. 10;
 FIG. 15 is a top plan view of FIG. 10;
 FIG. 16 is a bottom plan view of FIG. 10; and,
 FIG. 17 is a rear perspective view of FIG. 10.

(Continued)



The broken lines depict portions of the mobile phone, and example displayed information in FIG. 9, that form no part of the claimed design.

1 Claim, 17 Drawing Sheets

(58) **Field of Classification Search**

USPC D14/132, 501, 336, 496; D21/517; D6/704; D16/241

CPC H04M 1/0237; H04M 1/206; H04M 1/208; H04M 1/0241; H04M 1/0268; G06F 1/1652; G06F 1/1624

See application file for complete search history.

(56) **References Cited**

U.S. PATENT DOCUMENTS

D795,825	S *	8/2017	Kim	D14/138 AA
10,317,944	B2 *	6/2019	Kummer	H04M 1/0235
10,488,957	B2 *	11/2019	Kim	G06F 3/041
D912,045	S *	3/2021	Han	D14/138 AD
10,936,017	B1 *	3/2021	Choi	G06F 1/1643
D923,598	S *	6/2021	Lee	H04M 1/0268
					D14/138 AD
11,038,259	B2 *	6/2021	Li	H04M 1/236
11,043,191	B1 *	6/2021	Kang	G09G 3/035
11,058,018	B1 *	7/2021	Yoon	G06F 1/1652
D926,718	S *	8/2021	Lee	G06F 1/1624
					D14/138 AD
D933,625	S *	10/2021	Lee	D14/138 AD
11,151,917	B1 *	10/2021	Kim	G06F 1/1624
D936,626	S *	11/2021	Lee	D14/138 AD
11,204,629	B1 *	12/2021	Kwak	G06F 1/1624
2009/0051830	A1 *	2/2009	Matsushita	G06F 1/1652
					361/679.05
2010/0164973	A1 *	7/2010	Huitema	G06F 1/1615
					361/437
2013/0058063	A1 *	3/2013	O'Brien	G06F 1/1624
					361/807
2014/0194165	A1 *	7/2014	Hwang	G06F 1/1652
					455/566

2015/0153777	A1 *	6/2015	Liu	G06F 1/1652
					345/173
2015/0331593	A1 *	11/2015	Lee	G06F 1/1641
					345/667
2016/0070303	A1 *	3/2016	Lee	G06F 1/1616
					361/679.27
2017/0364119	A1 *	12/2017	Lee	G06F 1/1656
2020/0267246	A1 *	8/2020	Song	H04M 1/0268
2021/0105902	A1 *	4/2021	Yoon	G06F 1/1652
2021/0166651	A1 *	6/2021	Shim	G06F 1/1652
2021/0191472	A1 *	6/2021	Kim	G06F 1/1656
2021/0272486	A1 *	9/2021	Khachatryan	G06F 1/1652
2021/0320680	A1 *	10/2021	Kim	H04M 1/185
2021/0352813	A1 *	11/2021	Cho	G06F 1/1683
2021/0373603	A1 *	12/2021	Feng	G06F 1/1624
2021/0375165	A1 *	12/2021	Feng	G06F 1/1652
2021/0383727	A1 *	12/2021	Han	G06F 1/1656
2021/0405703	A1 *	12/2021	Song	H04M 1/72454
2021/0405857	A1 *	12/2021	Kim	G06F 3/0481
2022/0019260	A1 *	1/2022	Kang	G06F 1/1698
2022/0019264	A1 *	1/2022	Cho	G06F 1/1624

OTHER PUBLICATIONS

LG's Rollable Phone is becoming a Reality!, TechAvid youtube.com, dated Dec. 2, 2020, [online], [site visited Feb. 20, 2021]. Available from Internet, URL: <https://www.youtube.com/watch?v=tZK6a4-GunE> (Year: 2020).*

LG Rollable Phone Versus TCL Rollable Phone; Who Won CES 2021?, by Kelvin, Jan. 14, 2021, Concept Phones, [online], [site visited Feb. 20, 2021]. Available from Internet, URL: <https://www.concept-phones.com/lg/lg-rollable-phone-versus-tcl-rollable-phone-who-won-ces-2021/> (Year: 2021).*

Rollable display smartphones are coming Next!, GadgetMatch, youtube.com, dated Mar. 5, 2020, [online], [site visited Feb. 20, 2021]. Available from Internet, URL: <https://www.youtube.com/watch?v=uzExejMsVOY> (Year: 2020).*

The Scroll is Back! Flexible Device Has Scrollable Part Coming Out, by Kelvin, Mar. 14, 2018, Concept Phones, [online], [site visited Feb. 20, 2021]. Available from Internet, URL: <https://www.concept-phones.com/samsung/scroll-flexible-device-scrollable-part-coming/> (Year: 2018).*

* cited by examiner

FIG. 1

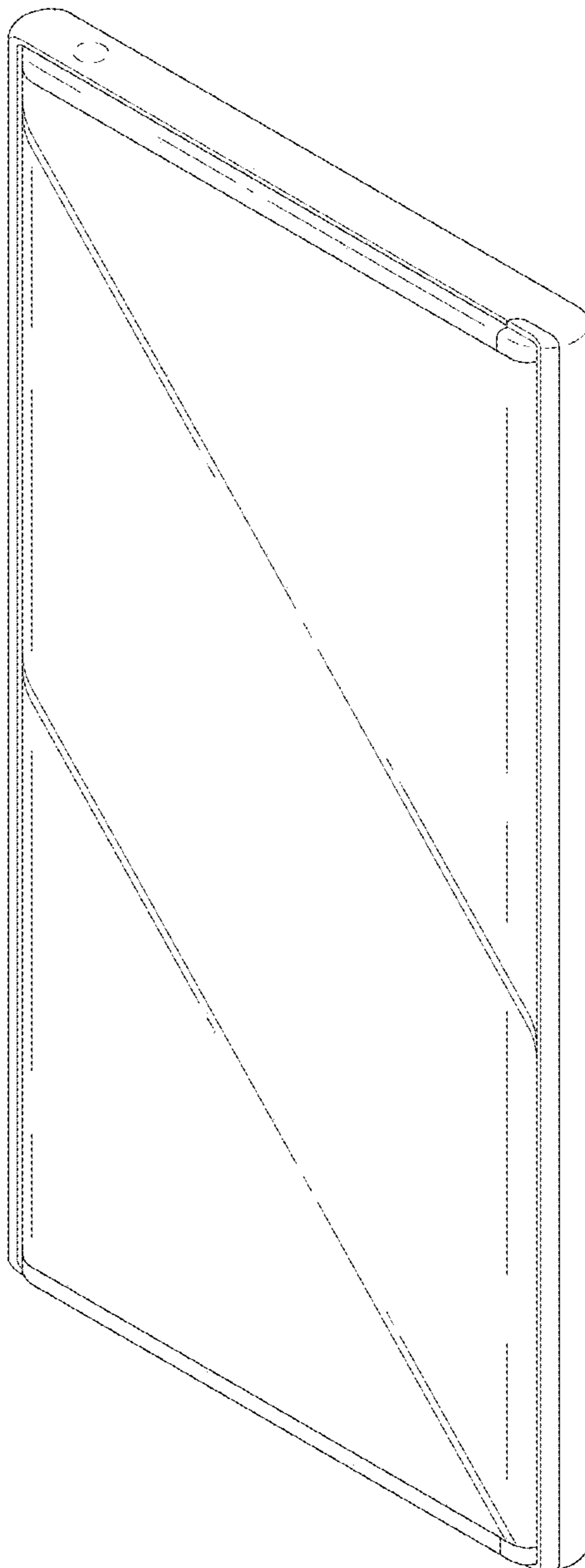


FIG. 2

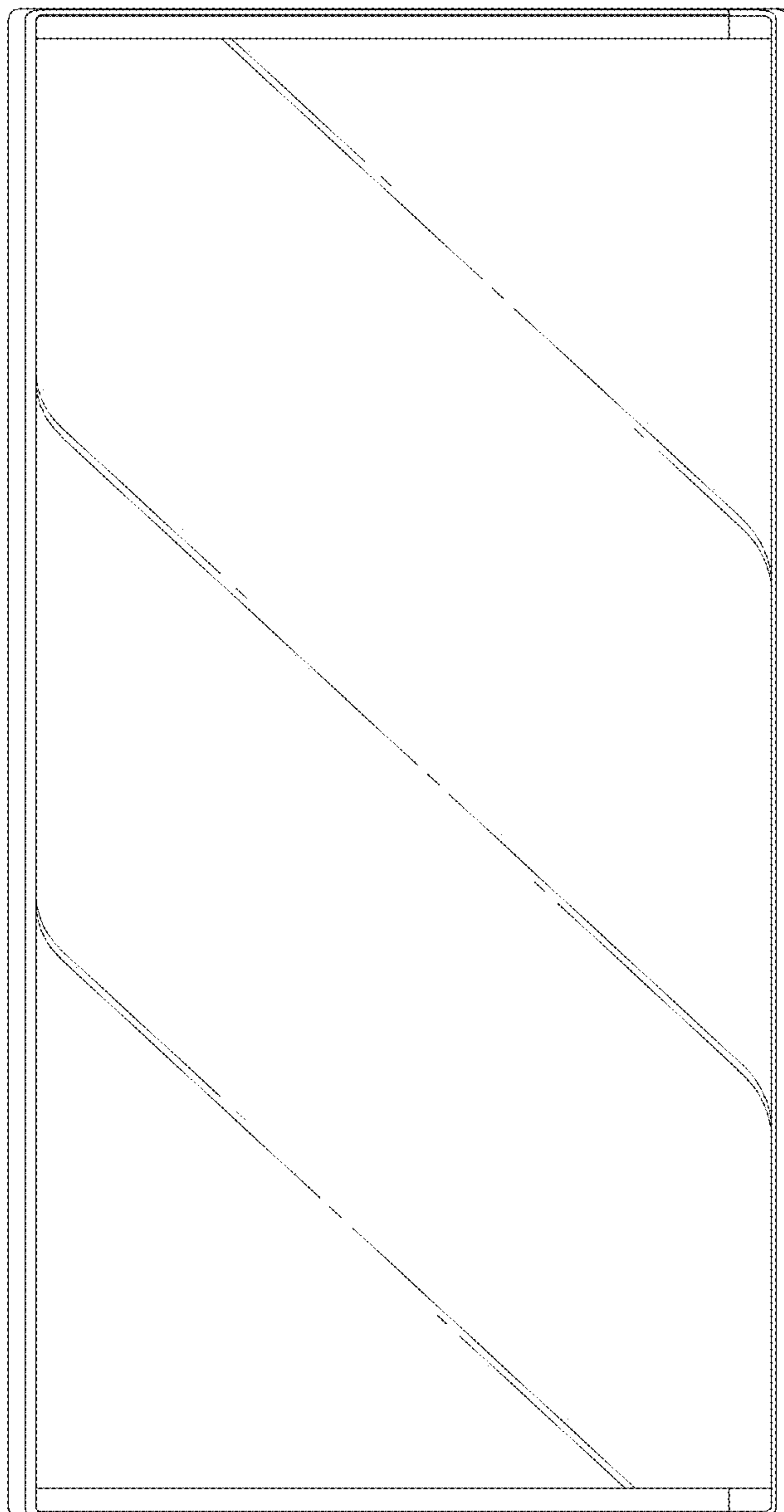


FIG. 3

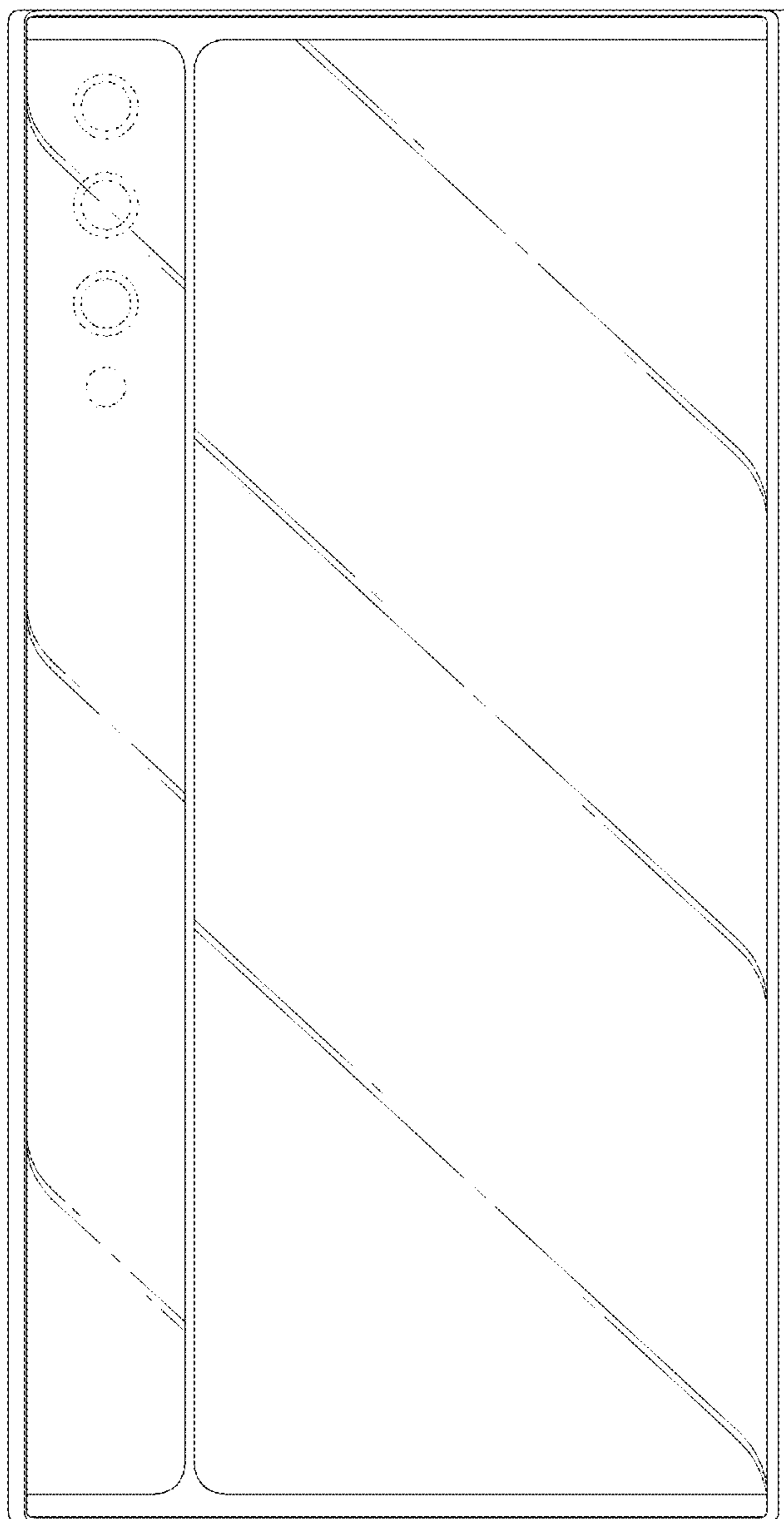


FIG. 4



FIG. 5

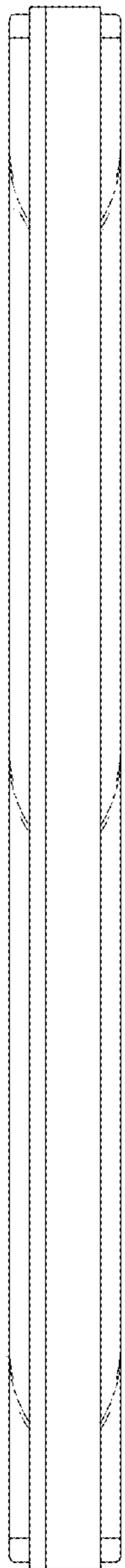


FIG. 6

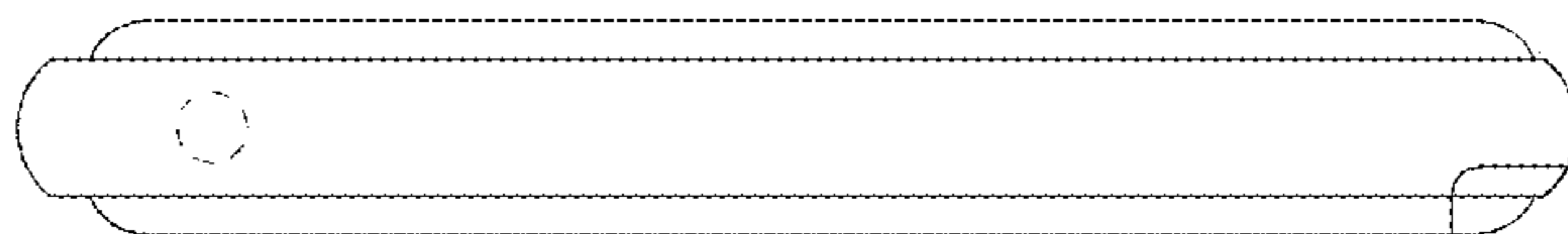


FIG. 7

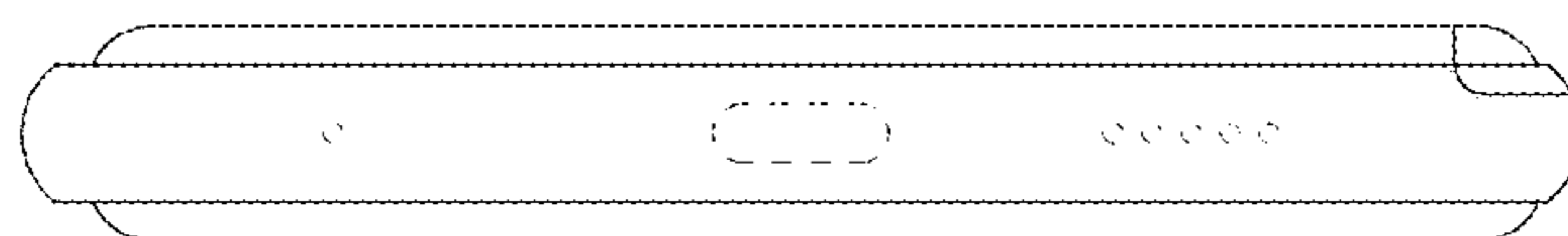


FIG. 8

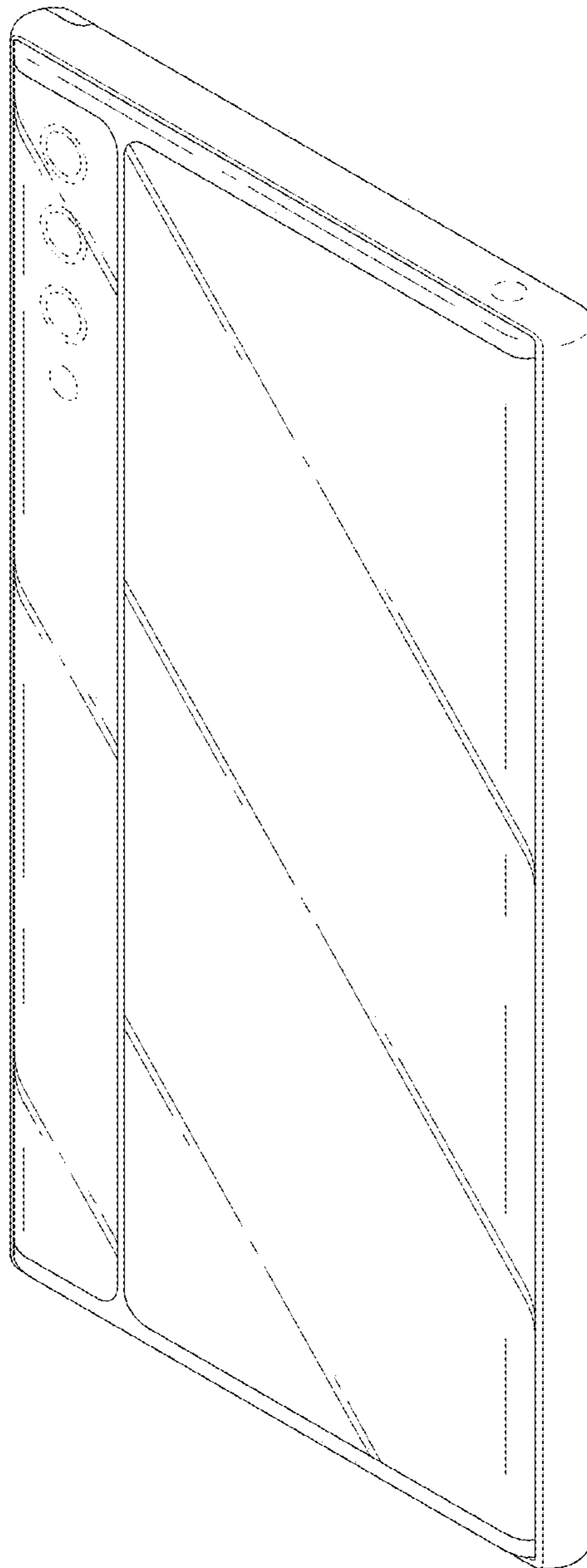


FIG. 9

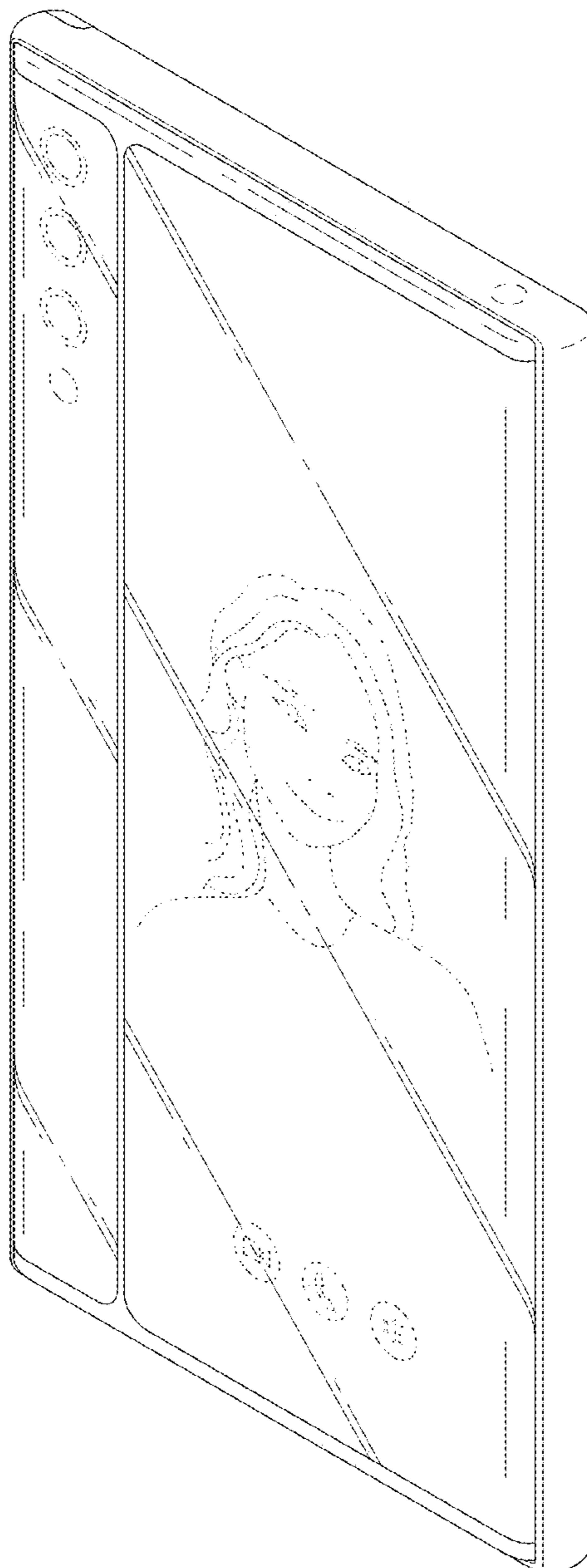


FIG. 10

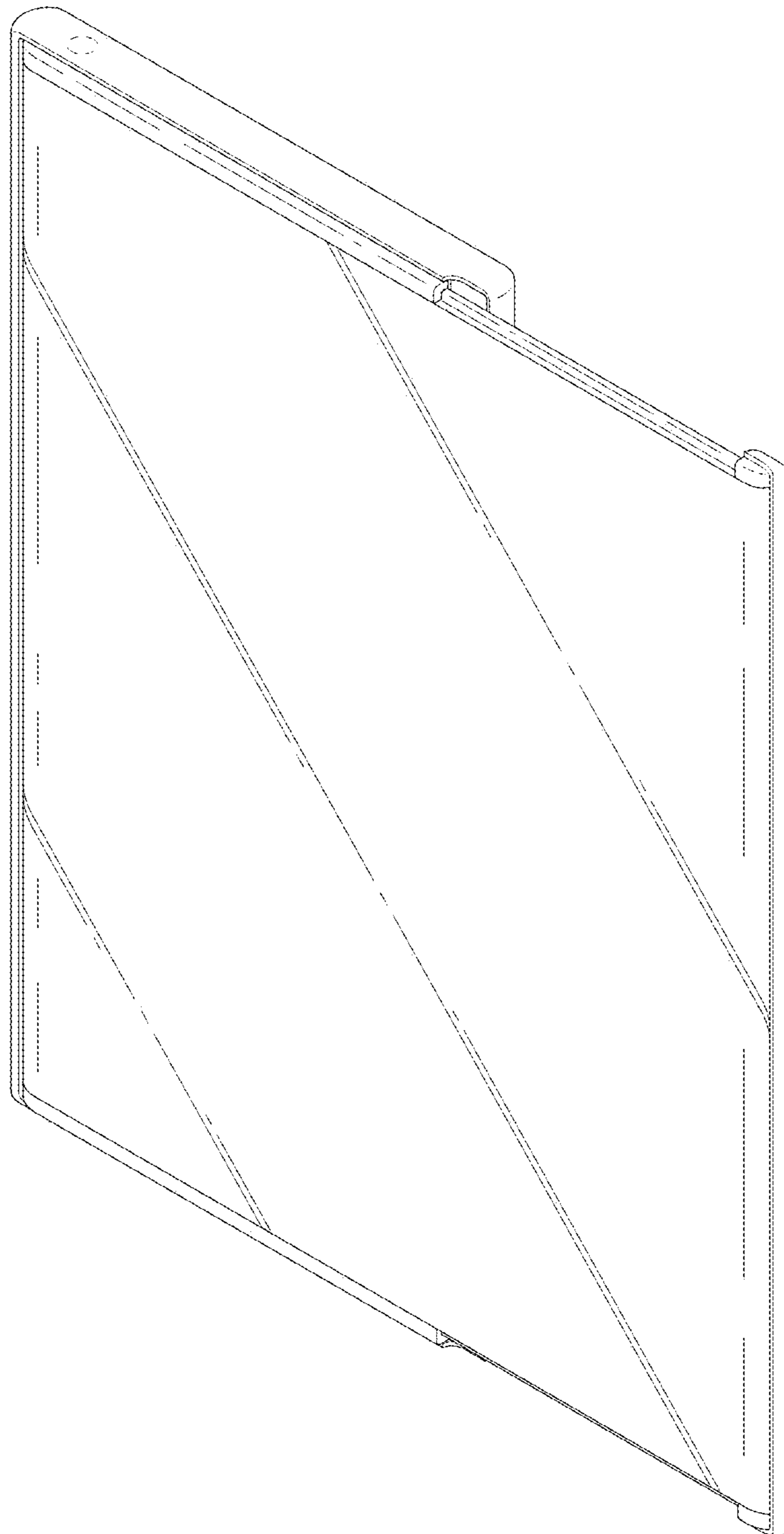


FIG. 11

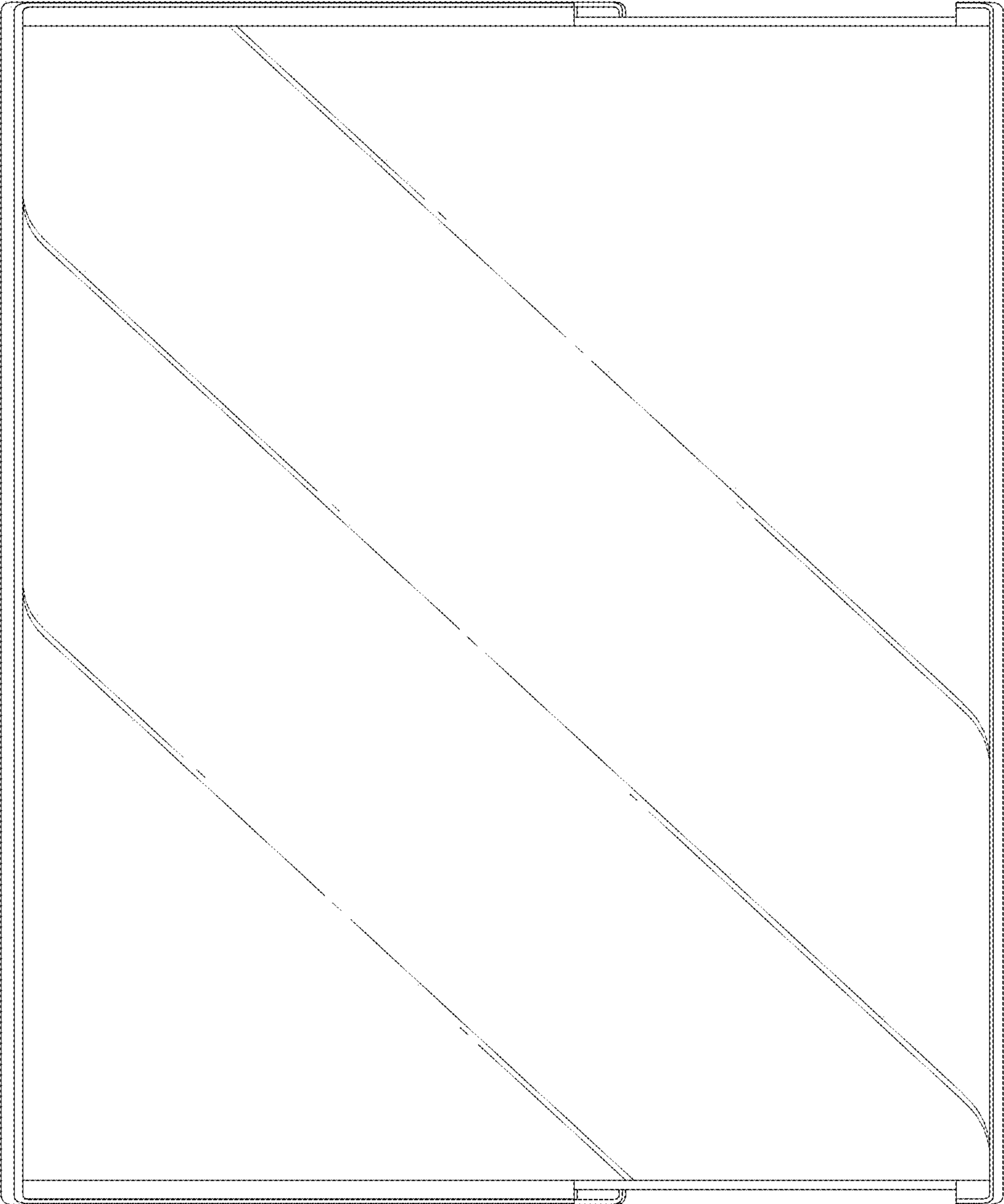


FIG. 12

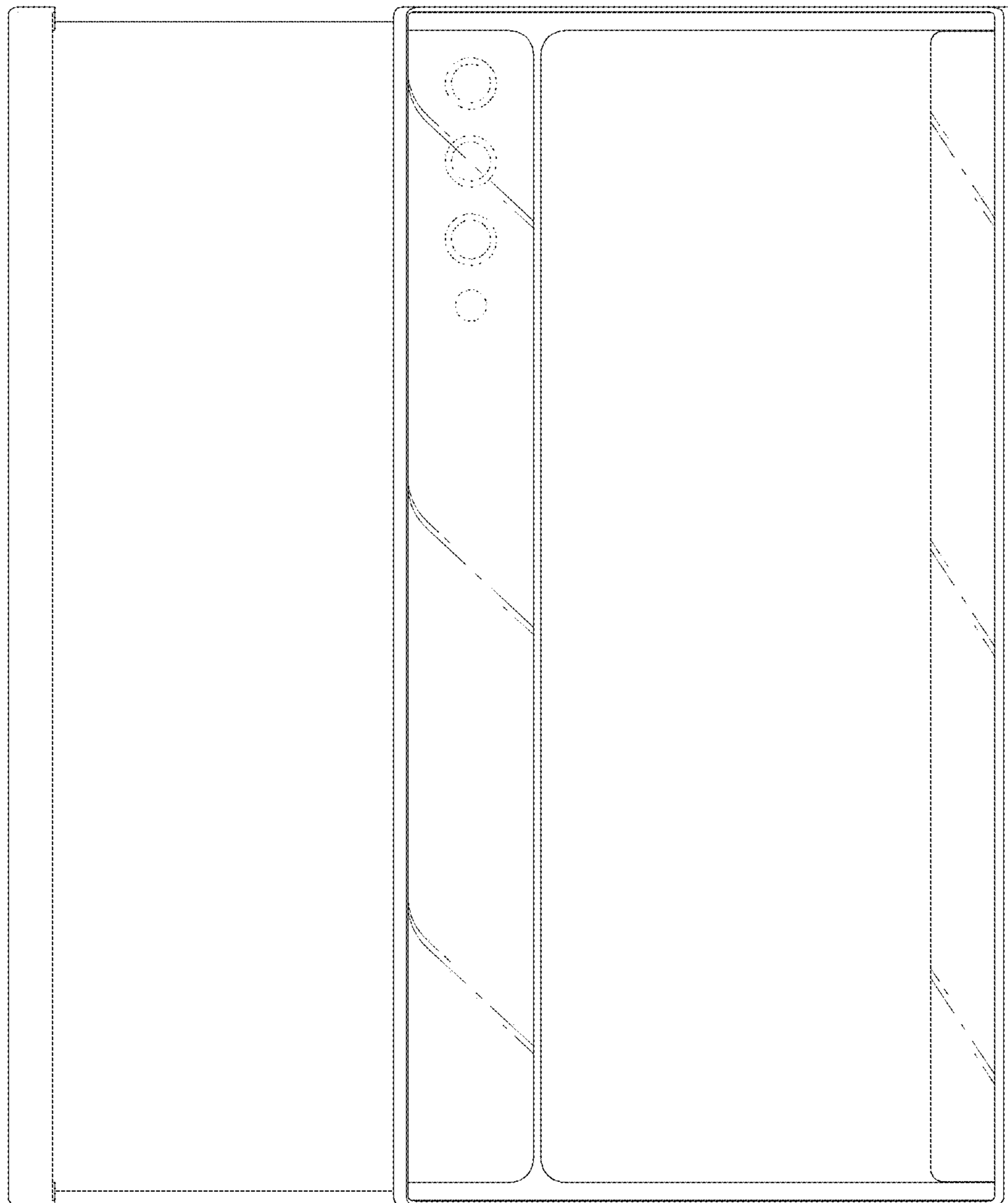


FIG. 13



FIG. 14

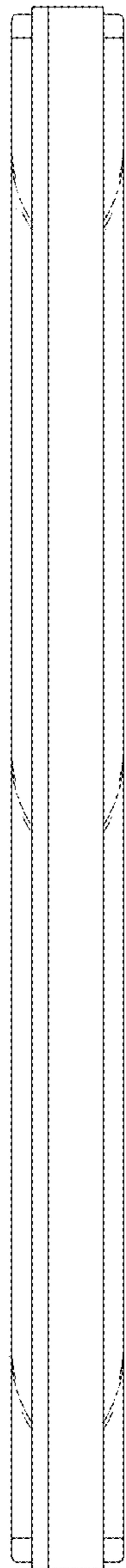


FIG. 15

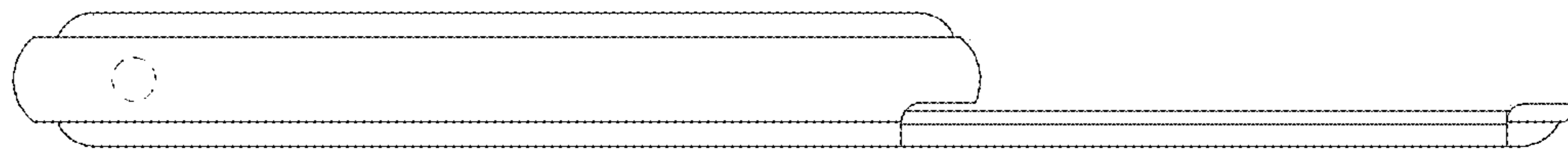


FIG. 16

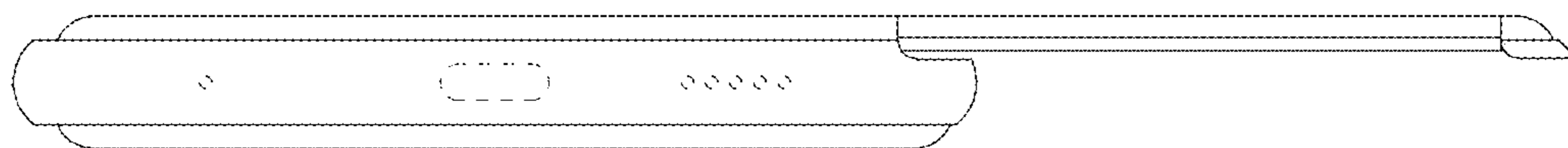


FIG. 17

