



US00D967045S

(12) **United States Design Patent** (10) **Patent No.:** **US D967,045 S**
Park et al. (45) **Date of Patent:** **** Oct. 18, 2022**

(54) **LARGE SCREEN TELEVISION**
(71) Applicant: **LG ELECTRONICS INC.**, Seoul (KR)
(72) Inventors: **Chanwoo Park**, Seoul (KR); **Jiyeon Lee**, Seoul (KR); **Yongho Lee**, Seoul (KR); **Areum Kwon**, Seoul (KR)
(73) Assignee: **LG ELECTRONICS INC.**, Seoul (KR)
(**) Term: **15 Years**
(21) Appl. No.: **35/512,678**
(22) Filed: **Mar. 26, 2021**
(80) **Hague Agreement Data**
Int. Filing Date: **Mar. 26, 2021**
Int. Reg. No.: **DM/214029**
Int. Reg. Date: **Mar. 26, 2021**
Int. Reg. Pub. Date: **Oct. 1, 2021**
(30) **Foreign Application Priority Data**
Oct. 5, 2020 (KR) 30-2020-0047623
(51) **LOC (13) Cl.** **14-03**
(52) **U.S. Cl.**
USPC **D14/126**
(58) **Field of Classification Search**
USPC D14/126, 129, 130, 132, 133, 159, 239, D14/307, 336, 371, 372, 374, 375, 376, D14/383, 448, 451, 496; D10/46, 65, D10/104.1, 109.1, 75; D24/138, 107, D24/184, 186, 169, 216; D20/10, 18, 19, D20/21, 39; D16/208
CPC G06F 1/1601; G06F 1/1605; G06F 1/1607; G06F 1/1637; G06F 1/1642; G06F 1/182; G06F 1/20; G06F 2200/1612; G06F 3/0421; G06F 3/0428; G06F 3/0488
See application file for complete search history.

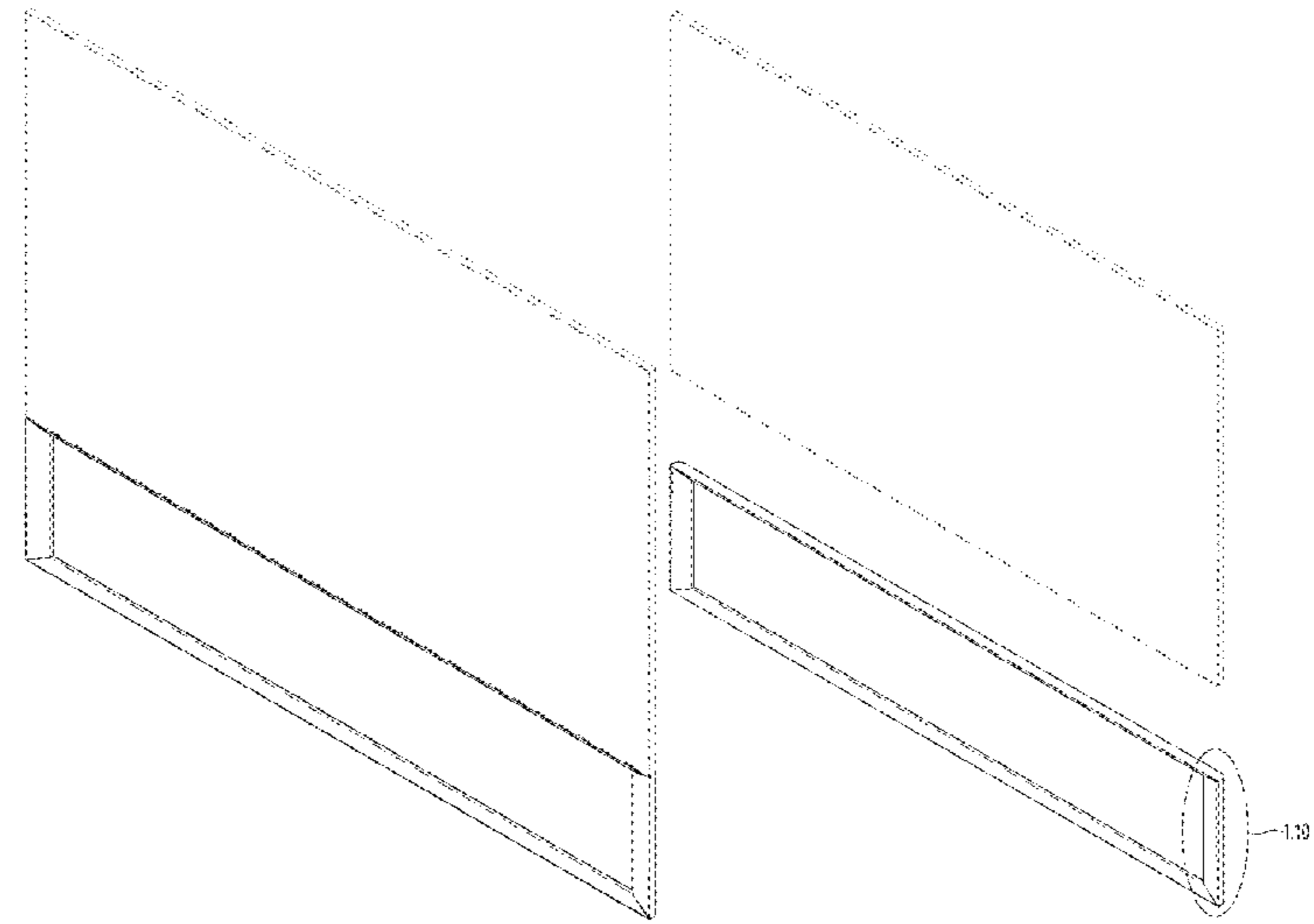
(56) **References Cited**
U.S. PATENT DOCUMENTS
D554,920 S * 11/2007 Derocher D6/672
D592,625 S * 5/2009 Hwang D14/130
D716,276 S * 10/2014 Yoon D14/239
D719,120 S * 12/2014 Park D14/126
D725,619 S * 3/2015 Choi D14/126
D726,136 S * 4/2015 Cho D14/126
D730,858 S * 6/2015 Yoon D14/126
D738,332 S * 9/2015 Kim D14/126
D743,364 S * 11/2015 Yoon D14/126
(Continued)

Primary Examiner — Marie D. Fast Horse
(74) *Attorney, Agent, or Firm* — Birch, Stewart, Kolasch & Birch, LLP

(57) **CLAIM**
The ornamental design for a large screen television, as shown and described.

DESCRIPTION
1. Large screen television
1.1 : Perspective
1.2 : Rear perspective
1.3 : Front
1.4 : Back
1.5 : Left
1.6 : Right
1.7 : Top
1.8 : Bottom
1.9 : Reference
1.10 : Enlarged
Reproduction 1.9 is a reference view in which the display part is separated to clearly show a claimed upward facing surface not seen in the remaining views; reproduction 1.10 is an enlarged view of a portion of reproduction 1.9 depicted by the circle in dash-dot lines, curvy lines, and number and form no part of the claim; the dashed broken lines indicate portions of the article that form no part of the claimed design.

1 Claim, 10 Drawing Sheets



(56)

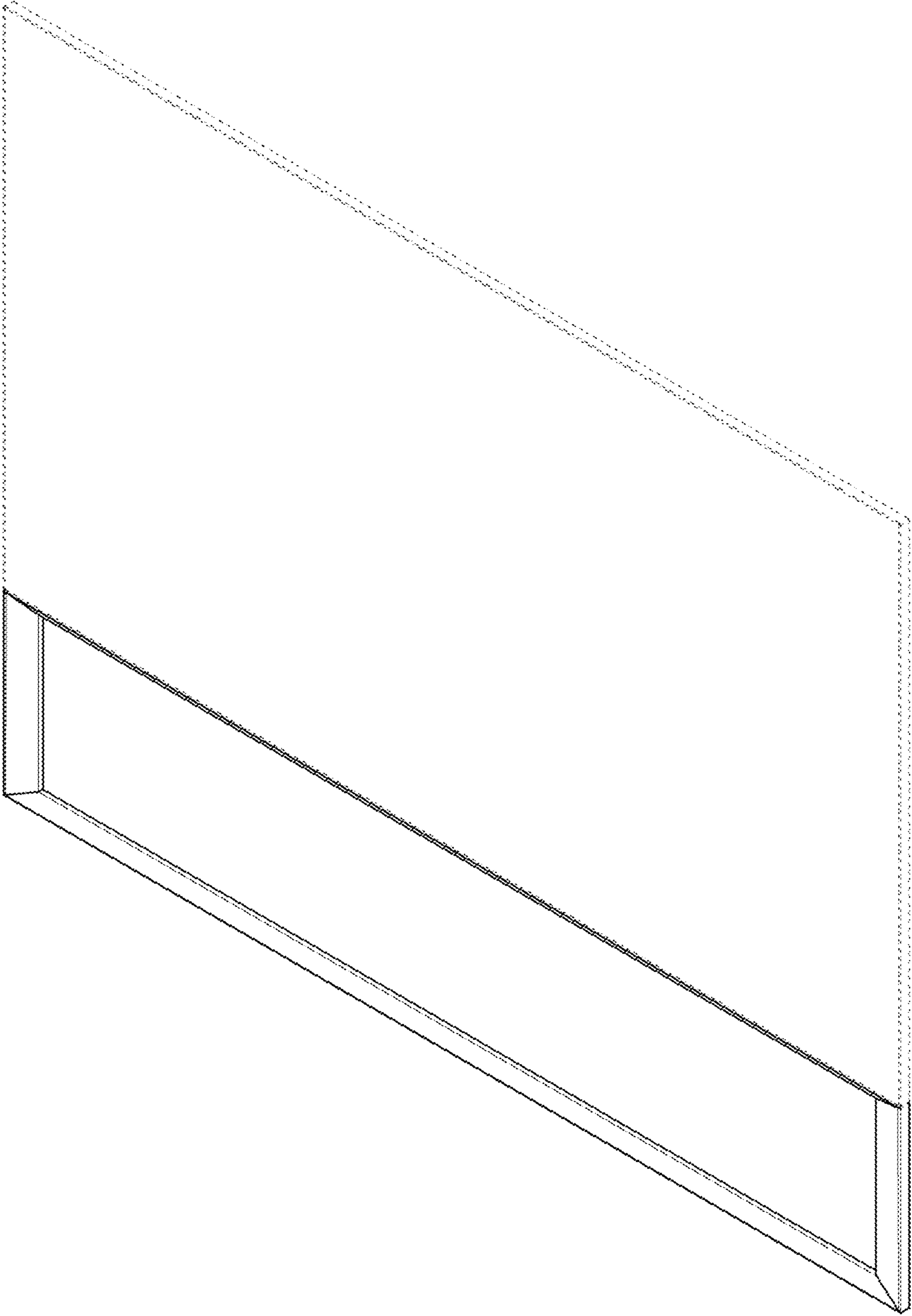
References Cited

U.S. PATENT DOCUMENTS

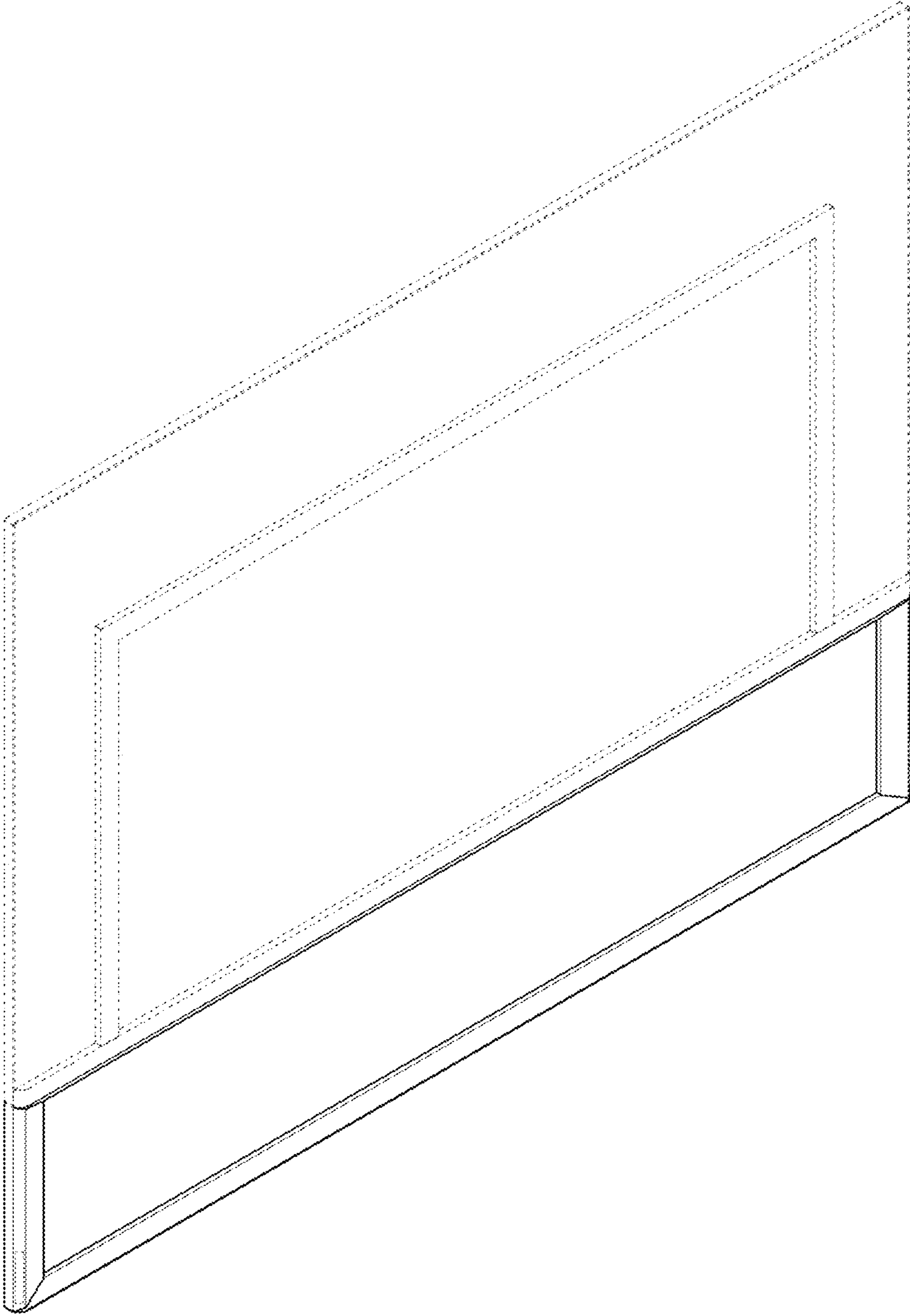
| | | | | | | |
|----------|---|---|---------|--------|-------|---------|
| D752,535 | S | * | 3/2016 | Kim | | D14/126 |
| D777,127 | S | * | 1/2017 | Kim | | D14/126 |
| D789,313 | S | * | 6/2017 | Jacobi | | D14/126 |
| D805,049 | S | * | 12/2017 | Lim | | D14/126 |
| D805,050 | S | * | 12/2017 | Lim | | D14/126 |
| D879,732 | S | * | 3/2020 | He | | D14/126 |
| D911,993 | S | * | 3/2021 | Kim | | D14/126 |
| D913,374 | S | * | 3/2021 | Lee | | D20/41 |
| D918,854 | S | * | 5/2021 | Pyo | | D14/126 |
| D930,604 | S | * | 9/2021 | Pyo | | D14/126 |
| D938,389 | S | * | 12/2021 | Park | | D14/217 |
| D938,390 | S | * | 12/2021 | Park | | D14/217 |
| D938,395 | S | * | 12/2021 | Park | | D14/217 |
| D938,396 | S | * | 12/2021 | Kim | | D14/217 |
| D949,971 | S | * | 4/2022 | Lee | | D14/126 |
| D949,972 | S | * | 4/2022 | Lee | | D14/126 |
| D949,973 | S | * | 4/2022 | You | | D14/126 |

* cited by examiner

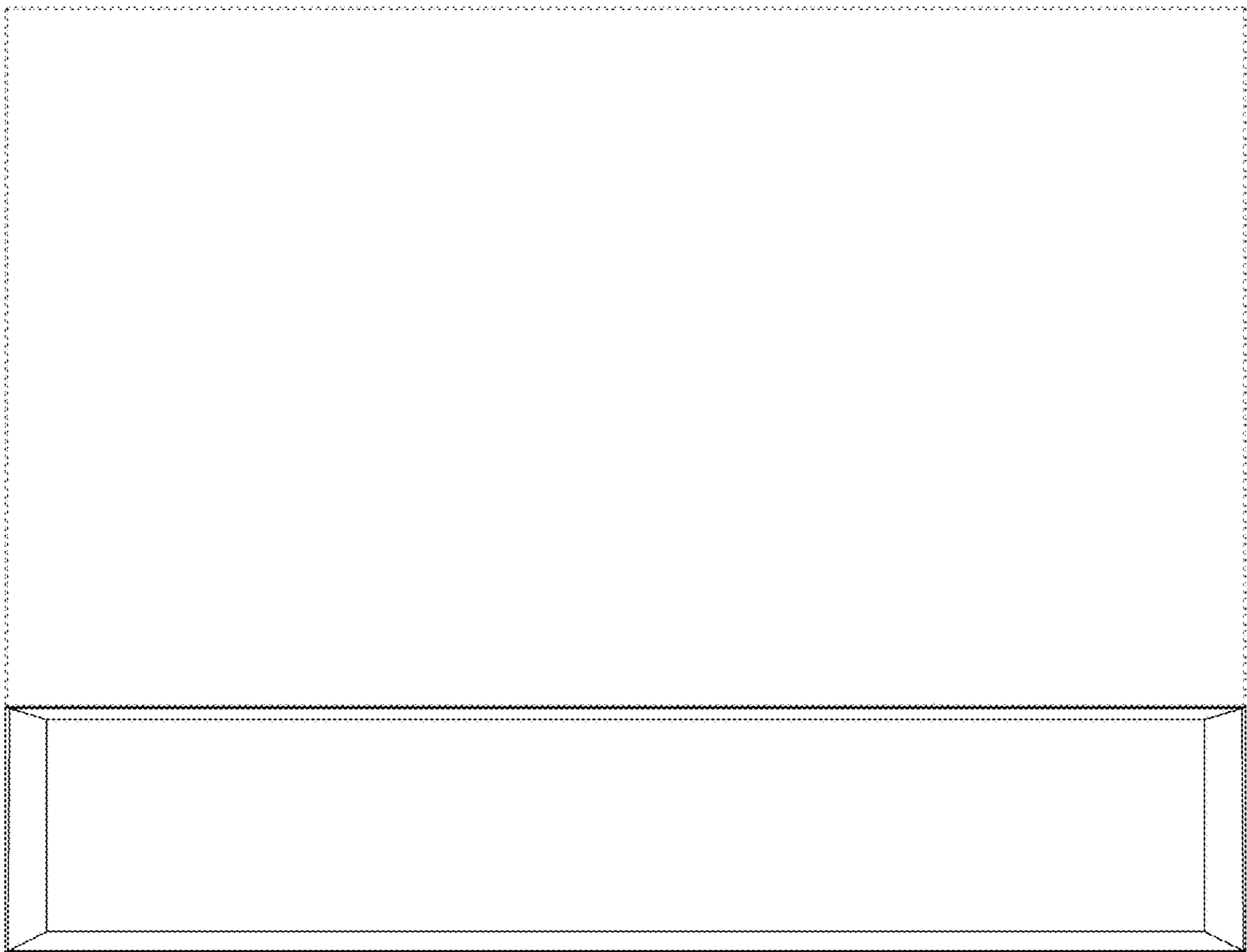
1.1



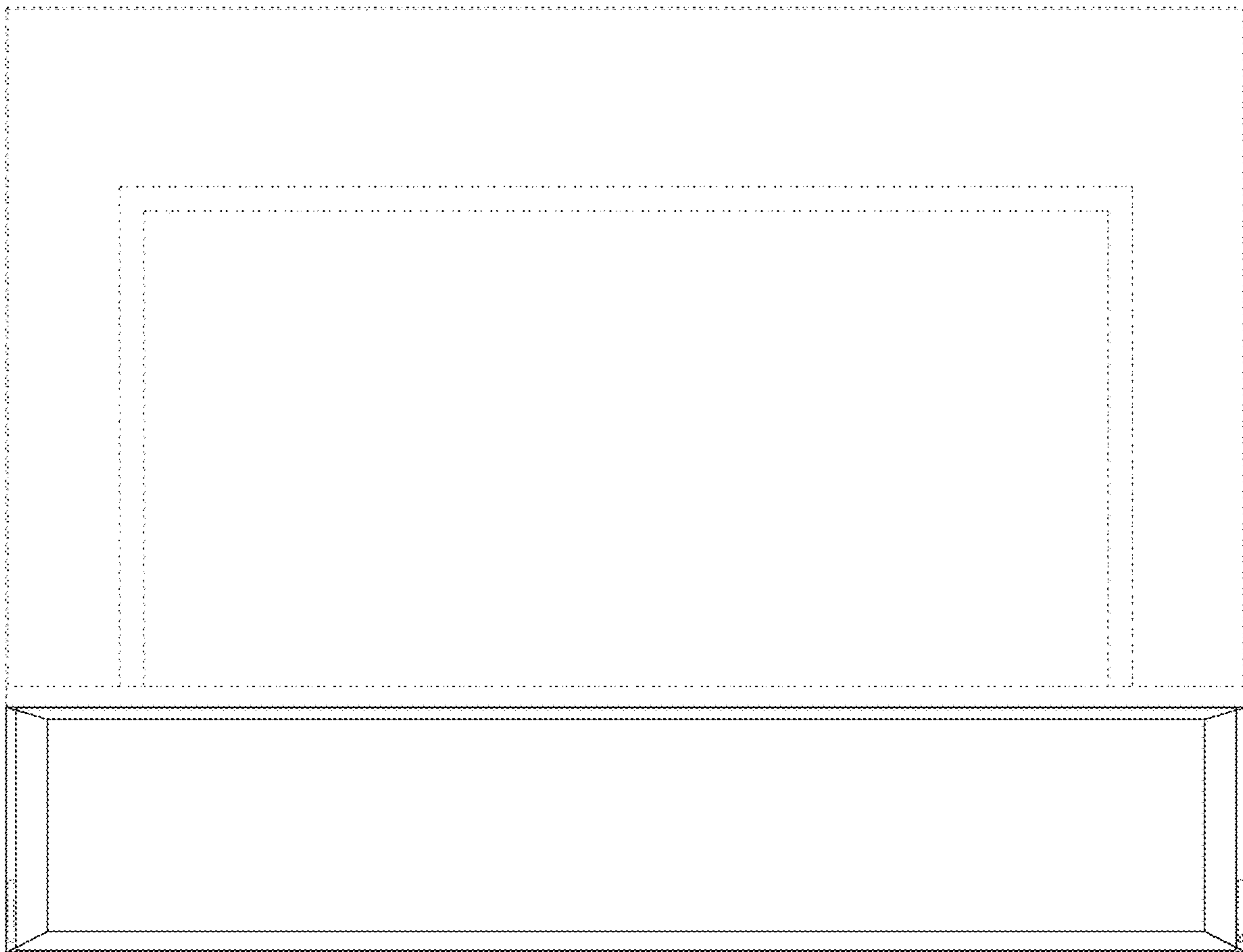
1.2



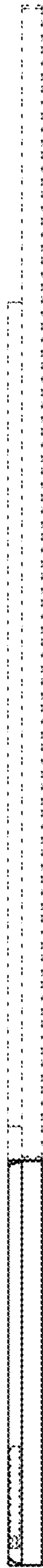
1.3



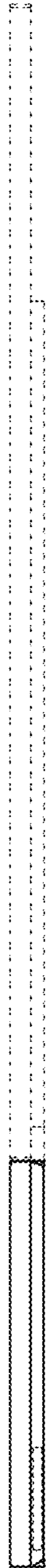
1.4



1.5



1.6



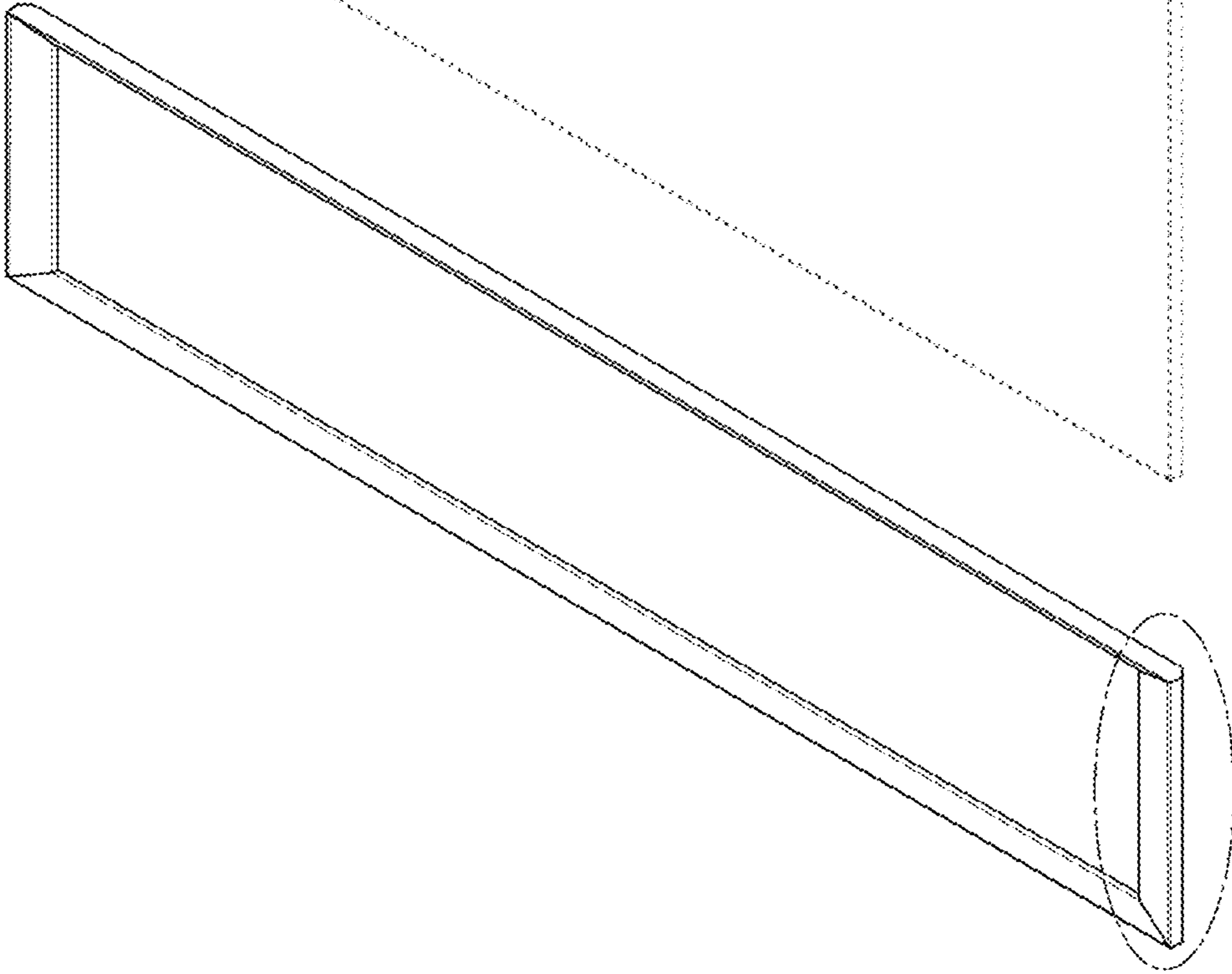
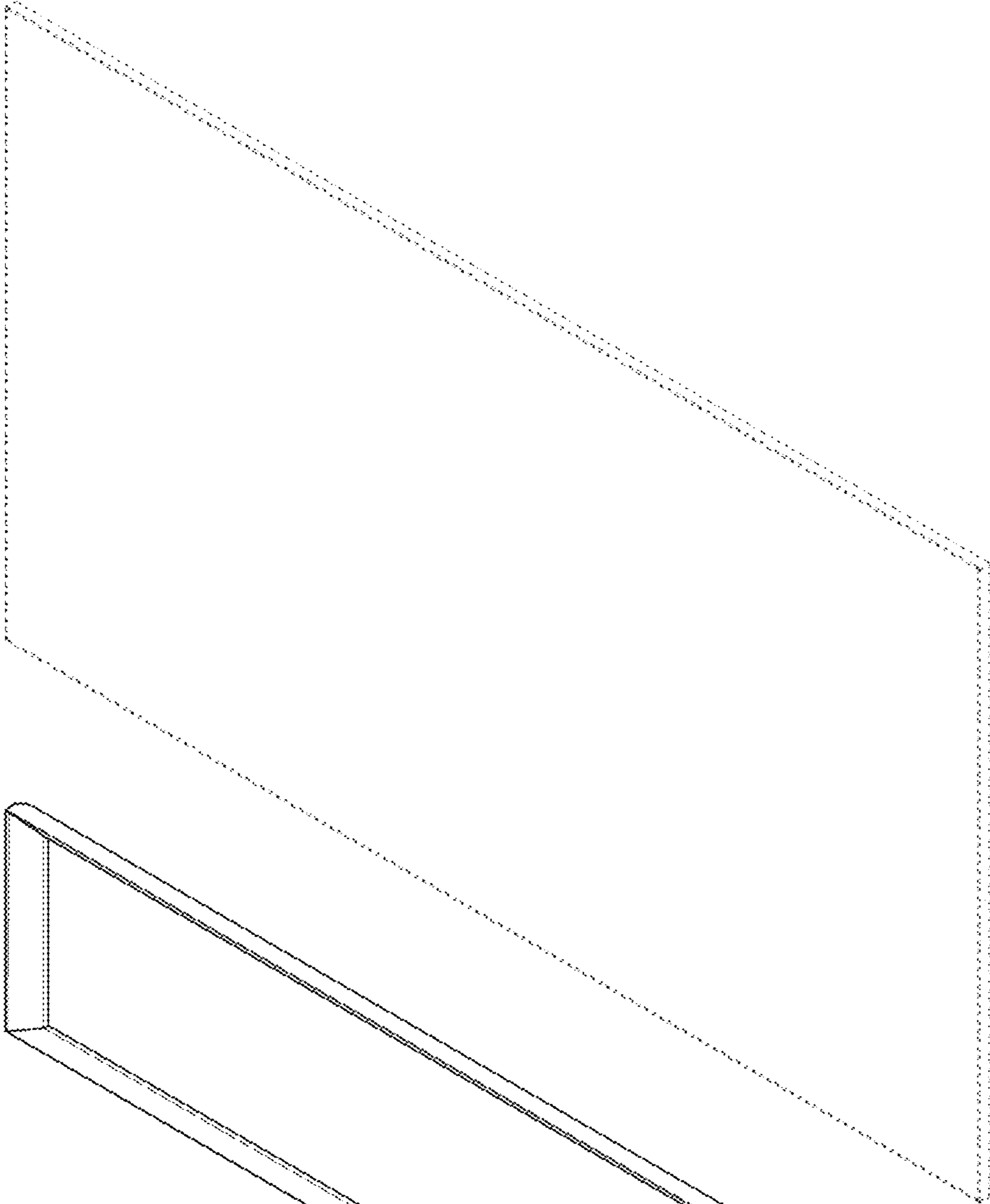
1.7



1.8



1.9



1.10

1.10

