



US00D967044S

(12) **United States Design Patent**
Kim et al.

(10) **Patent No.:** **US D967,044 S**
(45) **Date of Patent:** **** Oct. 18, 2022**

(54) **TELEVISION SET COMBINED WITH ROLLABLE DISPLAY**

(71) Applicant: **LG DISPLAY CO., LTD.**, Seoul (KR)

(72) Inventors: **Inyoung Kim**, Paju-si (KR); **Dongkyu Yoon**, Paju-si (KR); **Jiwon Song**, Paju-si (KR)

(73) Assignee: **LG DISPLAY CO., LTD.**, Seoul (KR)

(**) Term: **15 Years**

(21) Appl. No.: **29/763,694**

(22) Filed: **Dec. 23, 2020**

(30) **Foreign Application Priority Data**

Jun. 30, 2020 (KR) 30-2020-0029888

(51) **LOC (13) Cl.** **14-03**

(52) **U.S. Cl.**
USPC **D14/126**

(58) **Field of Classification Search**

USPC D14/126, 128, 129, 130, 132, 133, 159, D14/239, 307, 336, 371, 372, 374, 375, D14/376, 383, 448, 451, 496; D20/10, D20/18, 19, 21, 39; D16/241
CPC G06F 1/1601; G06F 1/1605; G06F 1/1607; G06F 1/1637; G06F 1/1642; G06F 1/182; G06F 1/20; G06F 2200/1612; G06F 3/0421; G06F 3/0428; G06F 3/0488; G06F 3/1446; H04N 5/64; H04N 1/00522; H05K 7/18; H05K 7/183; H05K 7/186; A47B 81/064; A47B 51/00; A47B 21/0073

See application file for complete search history.

(56) **References Cited**

U.S. PATENT DOCUMENTS

496,708 A * 5/1893 Terry B43L 1/06 D19/113
D95,588 S * 5/1935 Holsman, I G06F 1/1607 D20/10

D96,182 S * 7/1935 Hammer G06F 1/1601 D34/17
D97,165 S * 10/1935 Register D20/10
D154,299 S * 6/1949 Morgan D20/10
D234,231 S * 1/1975 Alfanso D34/17
4,219,101 A * 8/1980 Valsvik E04B 2/7422 181/290
D306,464 S * 3/1990 Axtell D21/325

(Continued)

Primary Examiner — Marie D. Fast Horse

(74) *Attorney, Agent, or Firm* — Birch, Stewart, Kolasch & Birch, LLP

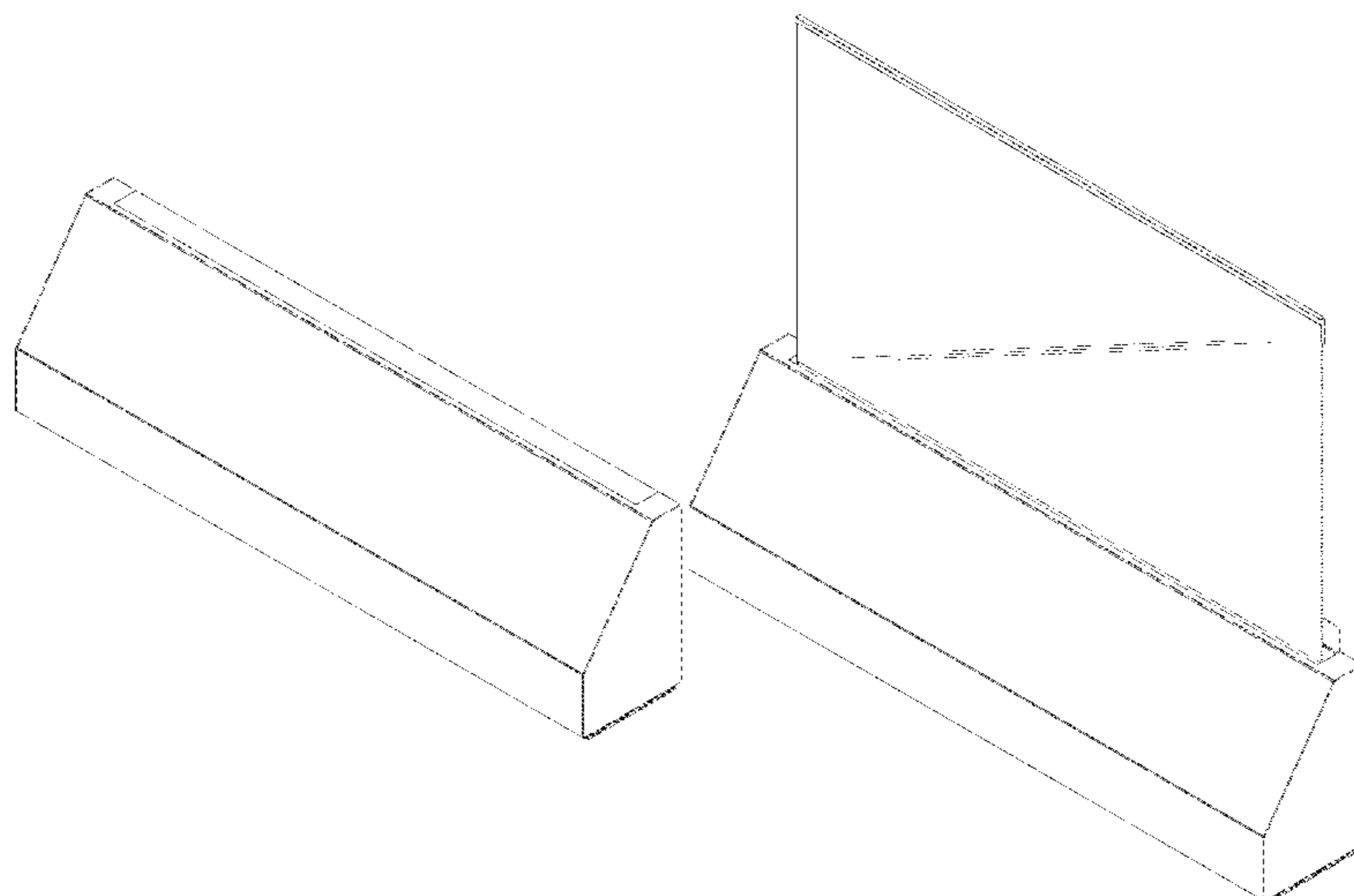
(57) **CLAIM**

The ornamental design for a television set combined with rollable display, as shown and described.

DESCRIPTION

FIG. 1 is a front, right perspective view of a television set combined with rollable display showing our new design in which a display panel is entirely inserted into a main body; FIG. 2 is a front view thereof; FIG. 3 is a rear view thereof; FIG. 4 is a left side view thereof; FIG. 5 is a right side view thereof; FIG. 6 is a top plan view thereof; FIG. 7 is a bottom plan view thereof; FIG. 8 is a front, right perspective view of the television set combined with rollable display in which the display panel is entirely moved upward; FIG. 9 is a front view thereof; FIG. 10 is a rear view thereof; FIG. 11 is a left side view thereof; FIG. 12 is a right side view thereof; FIG. 13 is a top plan view thereof; and, FIG. 14 is a bottom plan view thereof.

1 Claim, 14 Drawing Sheets



(56)

References Cited

U.S. PATENT DOCUMENTS

D430,121 S * 8/2000 Revoldini D14/374
 D522,008 S * 5/2006 Corbett D14/451
 D596,219 S * 7/2009 Tatara D16/241
 D607,916 S * 1/2010 Orion D16/241
 D609,263 S * 2/2010 Tatara D16/241
 D613,080 S * 4/2010 Tsuchiyama D6/332
 D622,322 S * 8/2010 Hussain D20/42
 D685,588 S * 7/2013 Stukenberg D6/657
 8,885,110 B1 * 11/2014 St. Clair H04N 5/65
 348/836
 D737,234 S * 8/2015 Kim D14/126
 D744,446 S * 12/2015 Kim D14/126
 D750,583 S * 3/2016 Lee D14/126
 D763,707 S * 8/2016 Sinha D10/50
 D772,830 S * 11/2016 Kim D14/126
 D772,831 S * 11/2016 Han D14/126
 D772,833 S * 11/2016 Han D14/126
 D773,420 S * 12/2016 Kim D14/126
 D774,483 S * 12/2016 Kim D14/126
 D776,072 S * 1/2017 Kim D14/126
 D778,858 S * 2/2017 Kim D14/126
 D778,859 S * 2/2017 Kim D14/126
 D780,140 S * 2/2017 Kim D14/126
 D802,549 S * 11/2017 Kim D14/126
 D807,844 S * 1/2018 Kim D14/126
 D807,846 S * 1/2018 Kim D14/126
 D808,668 S * 1/2018 Tsuchiyama D6/664
 D810,037 S * 2/2018 Won D14/126
 D812,028 S * 3/2018 Kim D14/126
 D813,832 S * 3/2018 Kim D14/126
 D818,977 S * 5/2018 Kim D14/126
 D821,342 S * 6/2018 Kim D14/126
 D823,823 S * 7/2018 Kim D14/126
 D833,433 S * 11/2018 Catania D14/374
 D838,253 S * 1/2019 Asamizu D14/126
 D839,229 S * 1/2019 Kim D14/126
 10,410,549 B1 * 9/2019 Kim G06F 1/1652
 D875,698 S * 2/2020 Kang D14/126

D875,815 S * 2/2020 Fest D16/241
 D883,243 S * 5/2020 Kim D14/126
 D883,244 S * 5/2020 Kim D14/129
 D886,902 S * 6/2020 Lee D20/39
 D887,379 S * 6/2020 Cha D14/126
 D887,380 S * 6/2020 Lee D14/126
 D895,563 S * 9/2020 Cha D14/126
 D896,193 S * 9/2020 Cha D14/126
 D900,762 S * 11/2020 Lee D14/126
 D900,770 S * 11/2020 Lee D14/126
 D901,408 S * 11/2020 Kim D14/126
 D901,409 S * 11/2020 Kim D14/126
 D901,410 S * 11/2020 Kim D14/126
 D901,411 S * 11/2020 Kim D14/126
 D912,637 S * 3/2021 Lee D14/126
 D913,981 S * 3/2021 Kim D14/125
 D915,316 S * 4/2021 Cha D14/126
 D915,317 S * 4/2021 Kim D16/241
 D918,854 S * 5/2021 Pyo D14/126
 D927,440 S * 8/2021 Choi D14/126
 D930,557 S * 9/2021 Song D12/415
 D930,604 S * 9/2021 Pyo D14/126
 D931,244 S * 9/2021 Kim D14/126
 D933,620 S * 10/2021 Kim D14/126
 D933,621 S * 10/2021 Kim D14/126
 D934,824 S * 11/2021 Jin D14/126
 D934,825 S * 11/2021 Pyo D14/126
 D938,951 S * 12/2021 Wakata D14/374
 D939,616 S * 12/2021 Zhu D16/241
 D943,541 S * 2/2022 Jin D14/126
 D944,221 S * 2/2022 Kim D14/126
 D944,222 S * 2/2022 Kim D14/126
 D944,223 S * 2/2022 Kim D14/126
 2017/0196102 A1 * 7/2017 Shin G06F 1/1607
 2019/0146557 A1 * 5/2019 Choi G06F 1/1652
 361/749
 2019/0324501 A1 * 10/2019 Kim H05K 5/0017
 2020/0084897 A1 * 3/2020 Shin H05K 5/0017
 2021/0158727 A1 * 5/2021 Choi G06F 1/1601

* cited by examiner

Fig. 1

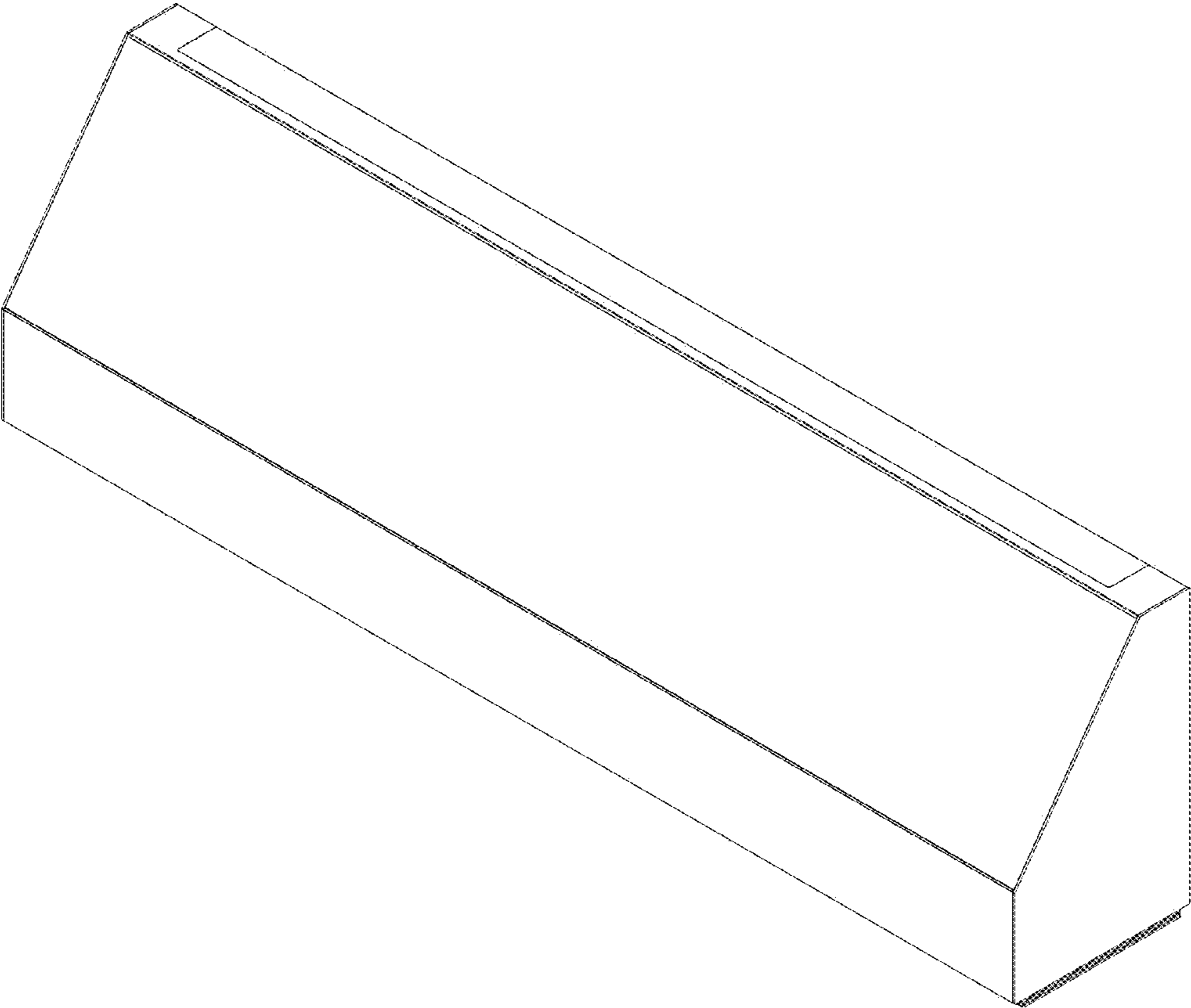


Fig. 2

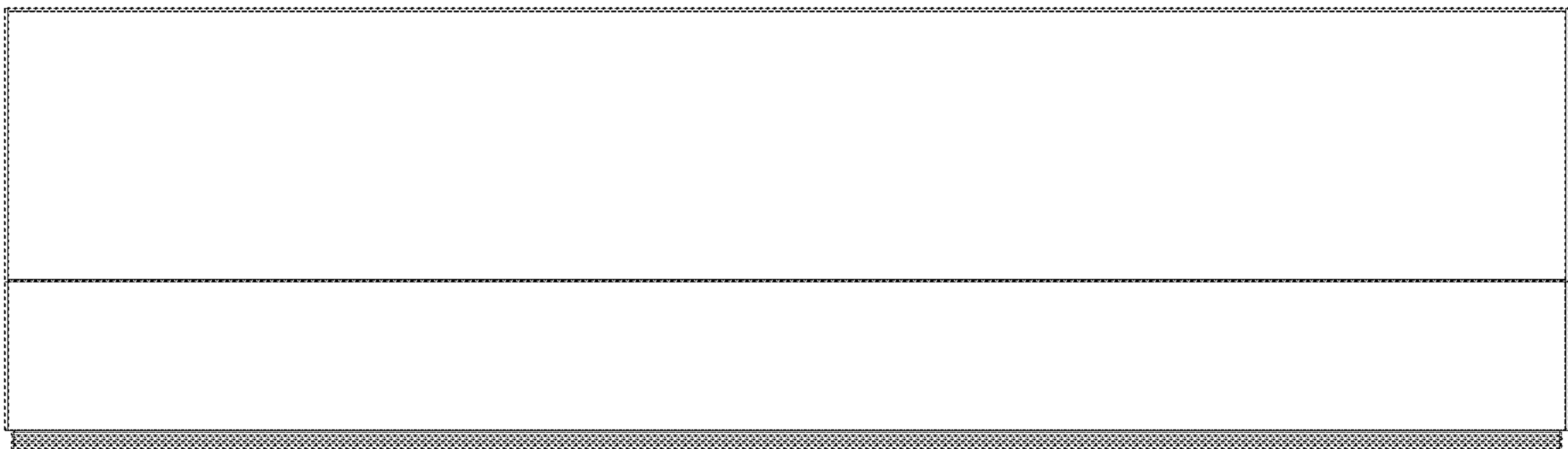


Fig. 3

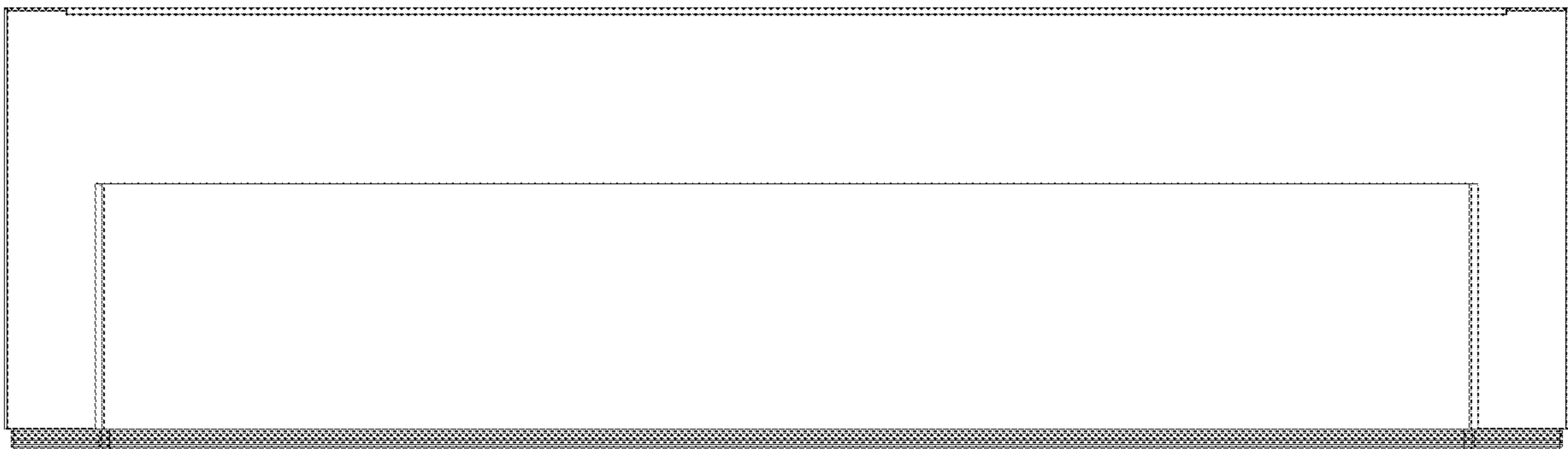


Fig. 4

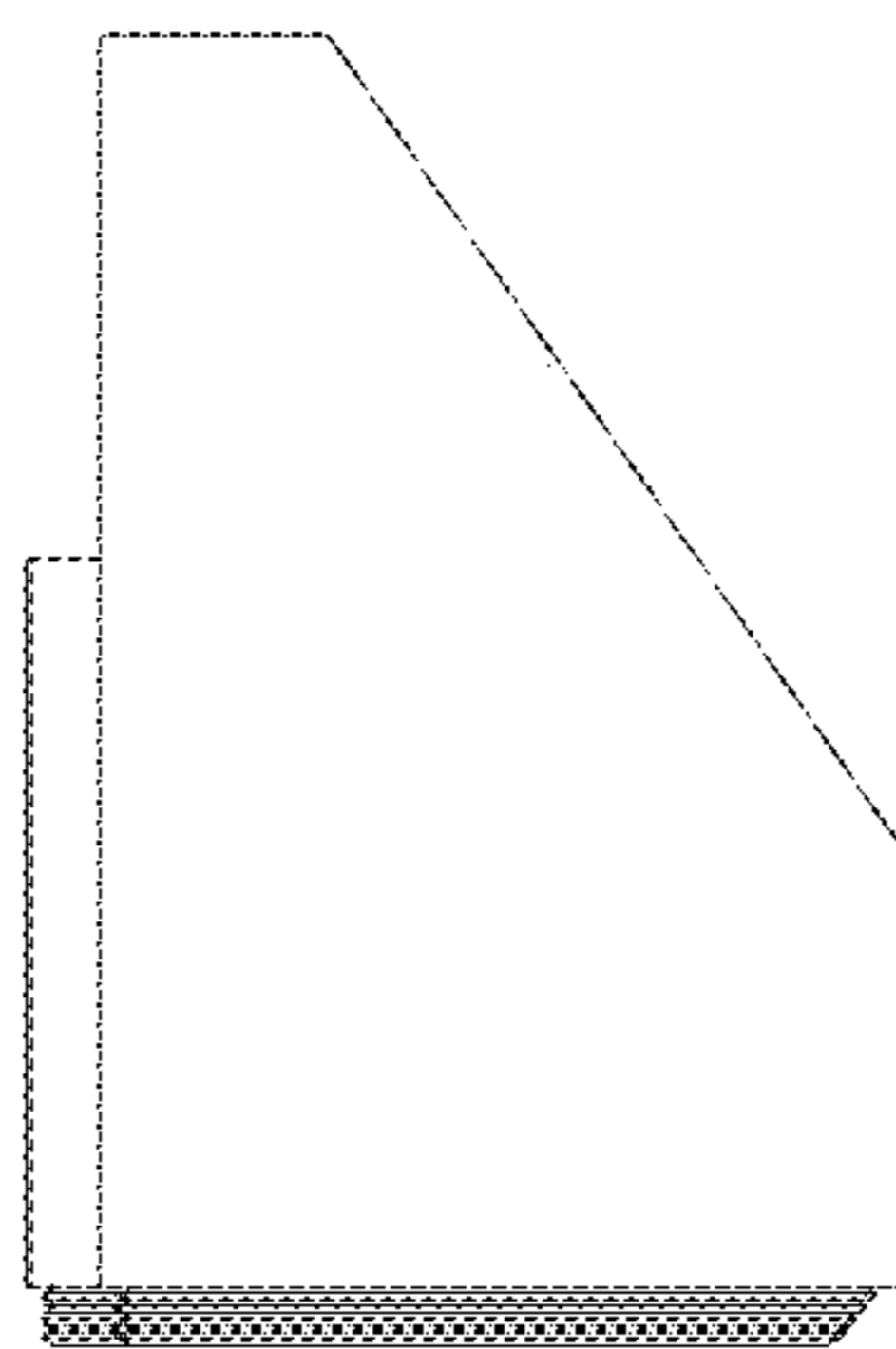


Fig. 5

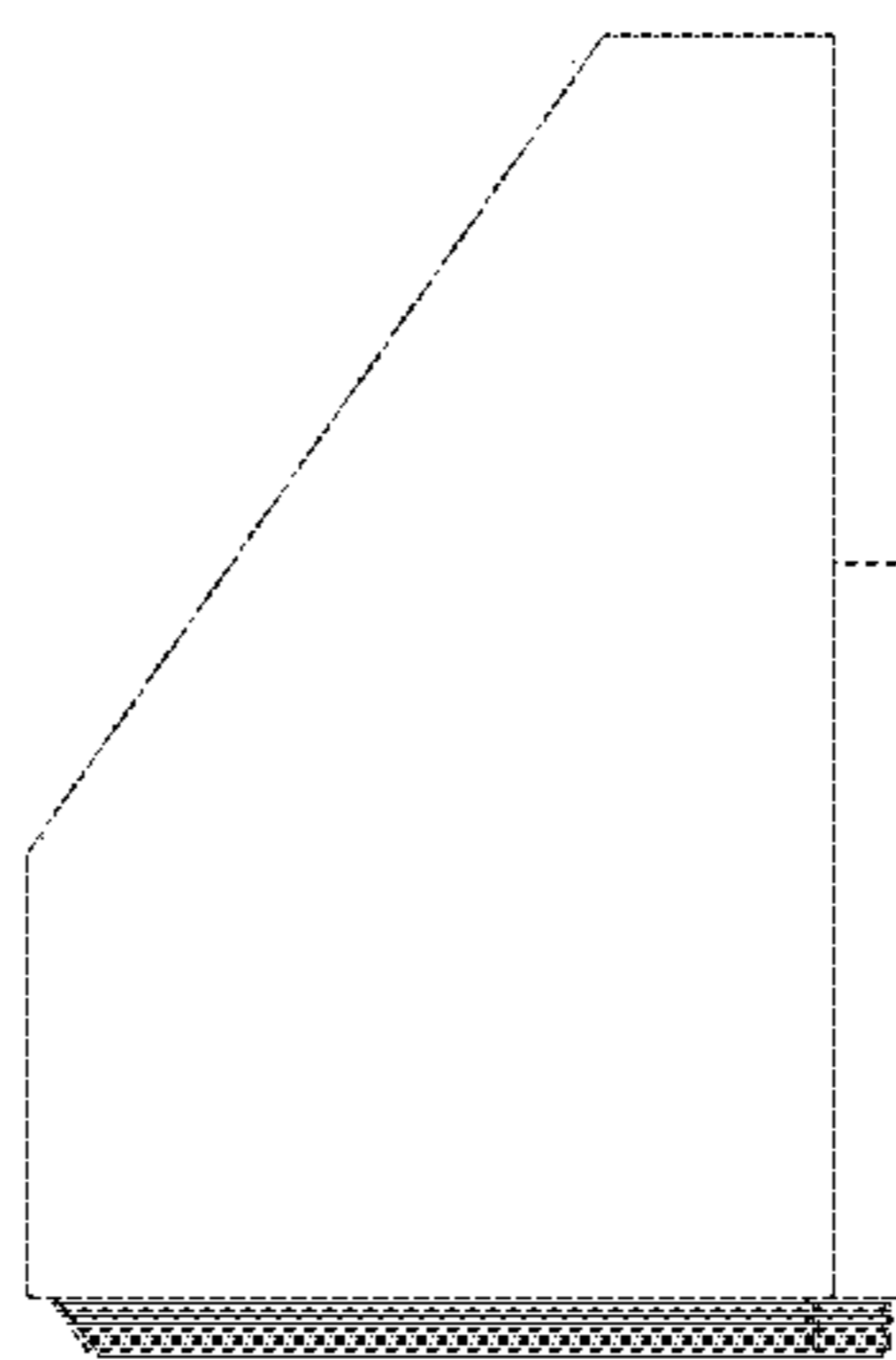


Fig. 6

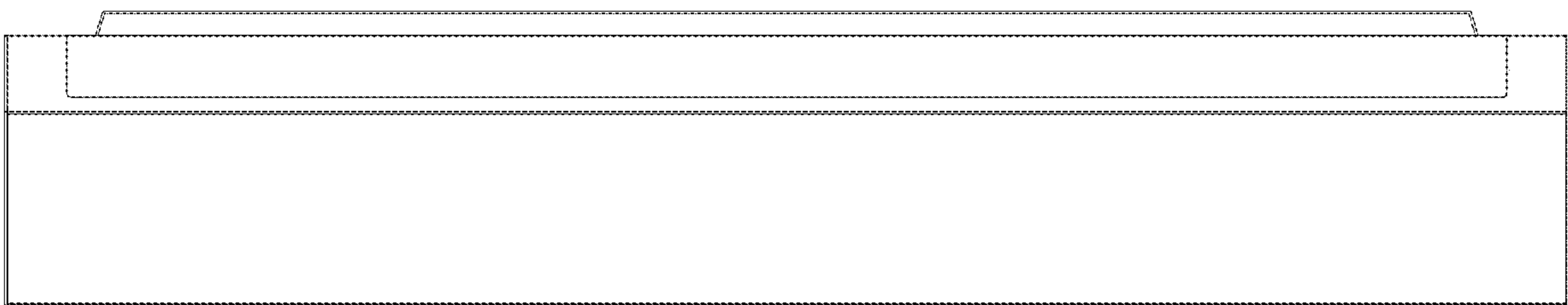


Fig. 7

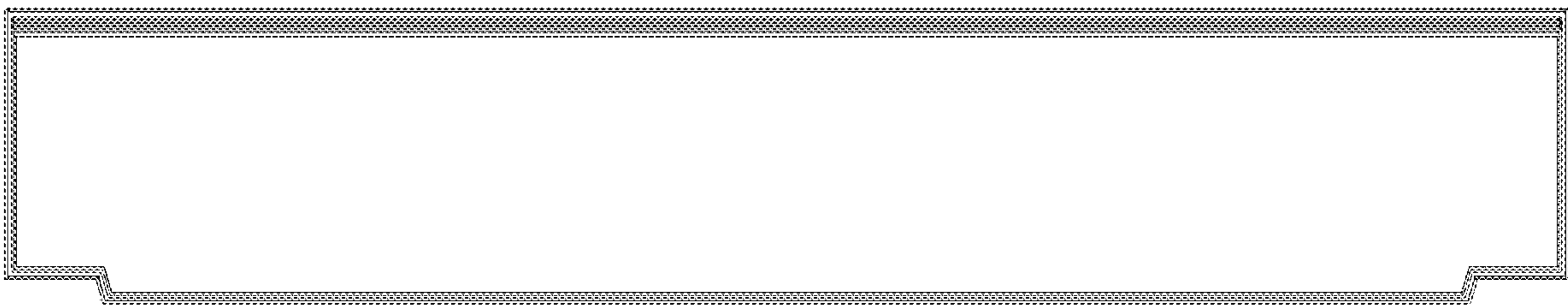


Fig. 8

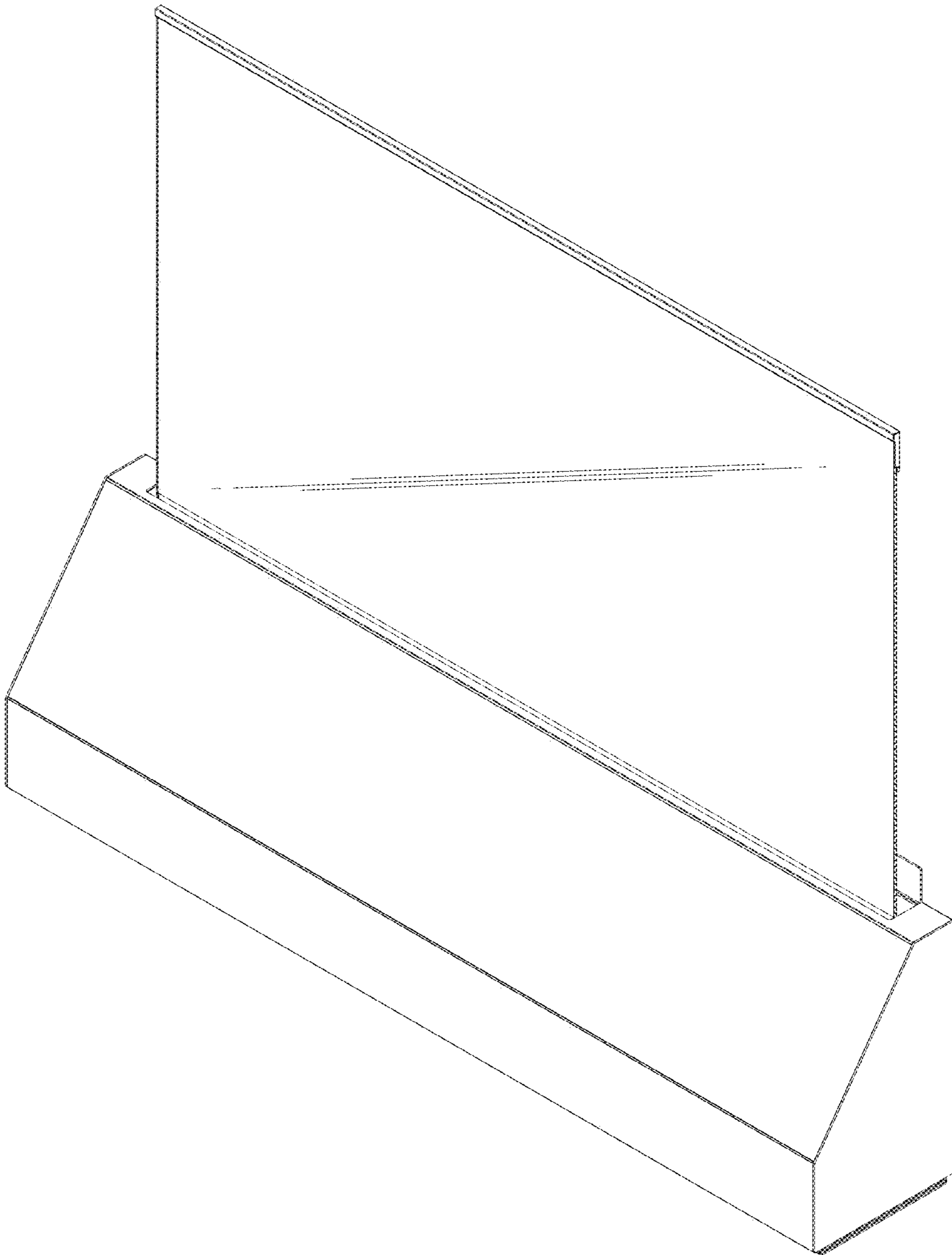


Fig. 9

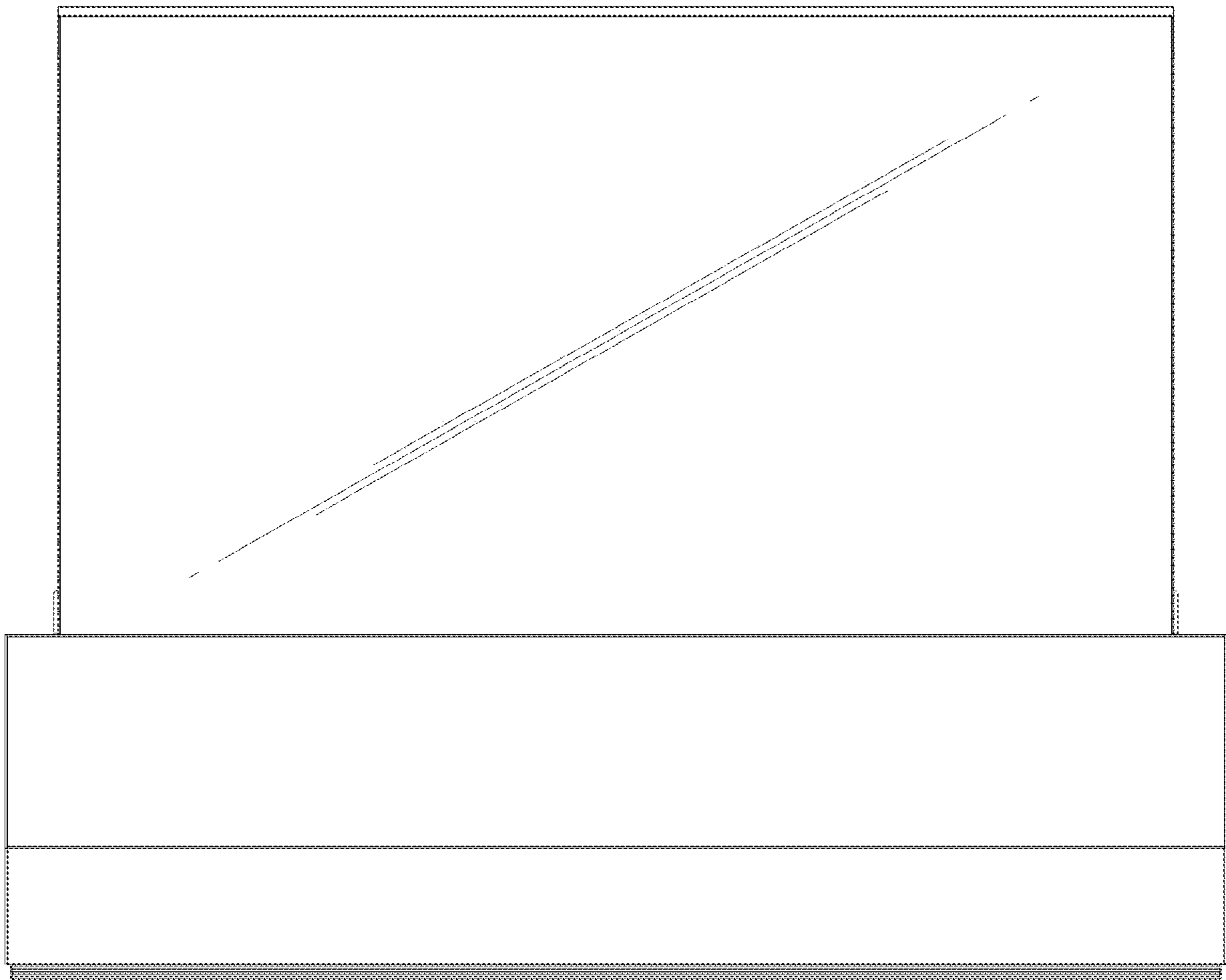


Fig. 10



Fig. 11

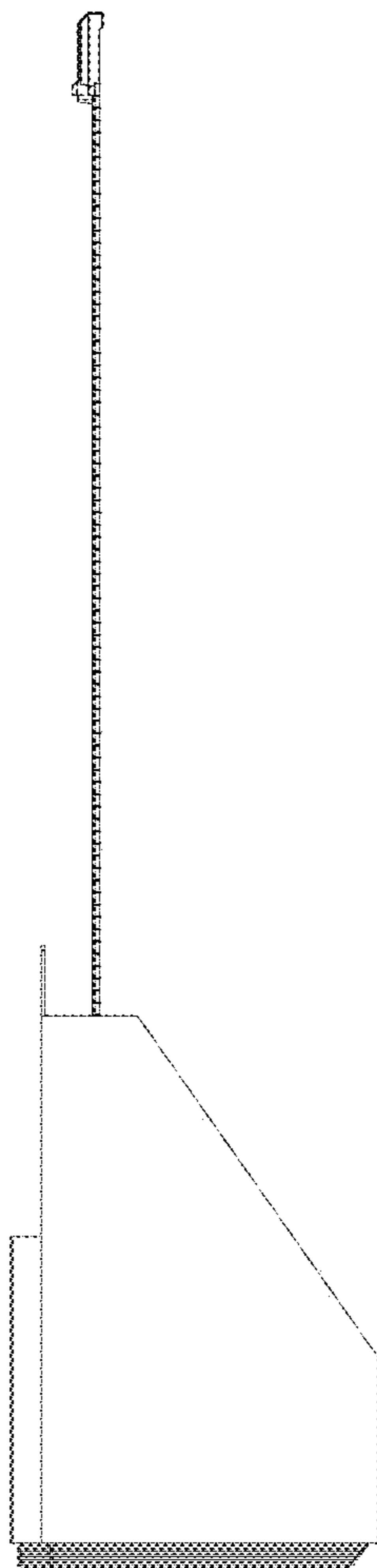


Fig. 12

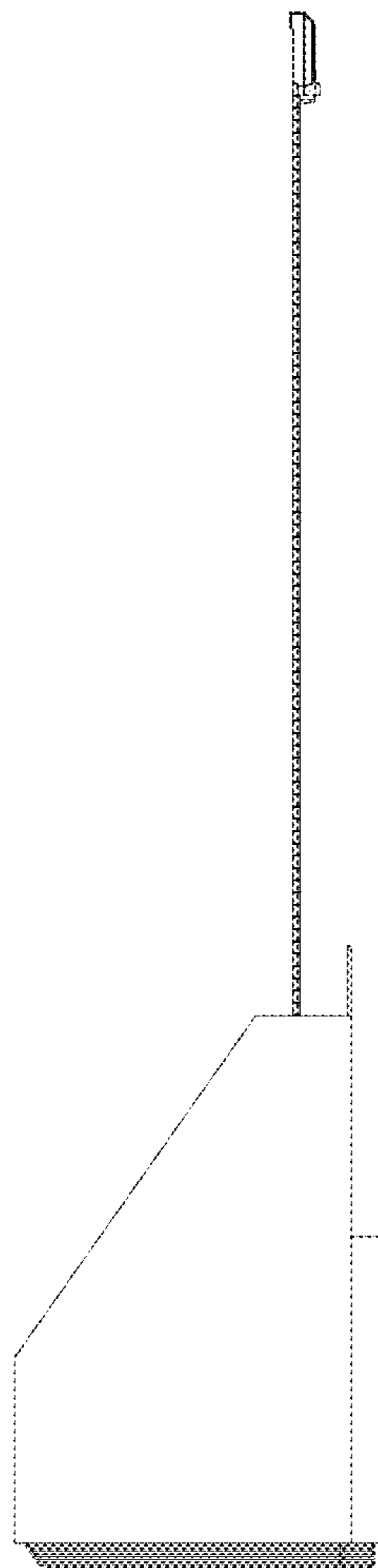


Fig. 13

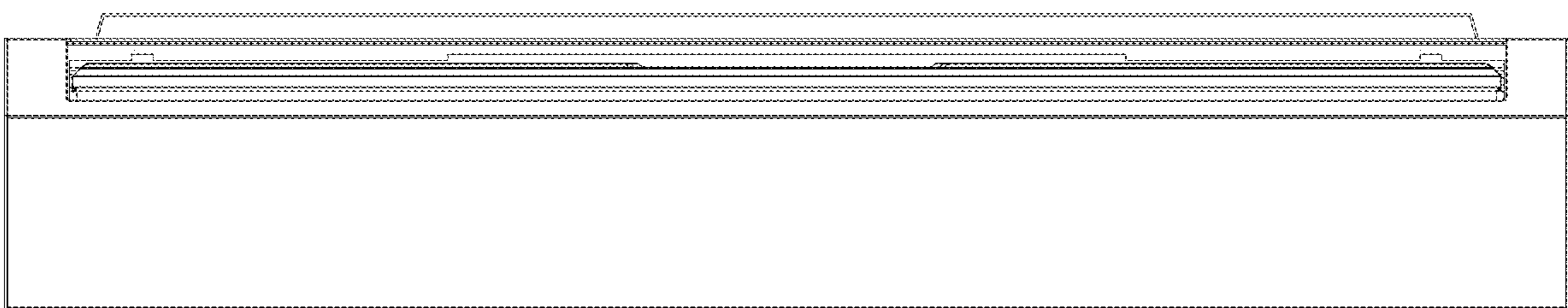


Fig. 14

