

US00D967042S

(12) **United States Design Patent**
Han et al.

(10) **Patent No.:** **US D967,042 S**

(45) **Date of Patent:** **** Oct. 18, 2022**

(54) **TELEVISION RECEIVER**

(71) Applicant: **Samsung Electronics Co., Ltd.**,
Suwon-si (KR)

(72) Inventors: **Dho-Jin Han**, Suwon-si (KR);
Jun-Won Bae, Suwon-si (KR);
Yang-Jic Lee, Suwon-si (KR)

(73) Assignee: **SAMSUNG ELECTRONICS CO., LTD.**,
Suwon-si (KR)

(**) Term: **15 Years**

(21) Appl. No.: **29/730,523**

(22) Filed: **Apr. 6, 2020**

(30) **Foreign Application Priority Data**

Oct. 18, 2019 (KR) 30-2019-0049571

(51) **LOC (13) Cl.** **14-03**

(52) **U.S. Cl.**
USPC **D14/126**

(58) **Field of Classification Search**
USPC D14/126, 128, 129, 130, 132, 133, 159,
D14/239, 307, 336, 371, 372, 374, 375,
D14/376, 383, 448, 451, 496; D10/46,
D10/65, 104.1, 109.1, 75; D24/138, 107,
D24/184, 186, 169, 216; D20/10, 18, 19,
D20/21, 39; D19/113, 114
CPC G06F 1/1601; G06F 1/1605; G06F 1/1607;
G06F 1/1637; G06F 1/1642; G06F 1/182;
G06F 1/20; G06F 2200/1612; G06F
3/0421; G06F 3/0428; G06F 3/0488
See application file for complete search history.

(56) **References Cited**

U.S. PATENT DOCUMENTS

D205,493 S * 8/1966 Vogt D20/10
4,528,597 A * 7/1985 Klein G06F 1/181
348/839

D448,031 S * 9/2001 Goetz D14/374
D554,640 S * 11/2007 Ponnert D14/388
D585,401 S * 1/2009 Otani D14/126
D617,834 S * 6/2010 Vasconcelos D19/113
D623,227 S * 9/2010 Hoch D19/113
D623,693 S * 9/2010 Hoch D19/113
D659,567 S * 5/2012 Stevens D10/70
D745,511 S * 12/2015 Lee D14/371
D755,292 S * 5/2016 Sirotych D19/113
D757,669 S * 5/2016 Bouroullec D14/126
D779,446 S * 2/2017 Bouroullec D14/126

(Continued)

FOREIGN PATENT DOCUMENTS

CN 304737202 S 7/2018
CN 304794697 S 8/2018

(Continued)

Primary Examiner — Marie D. Fast Horse

(74) *Attorney, Agent, or Firm* — McAndrews Held & Malloy, Ltd.

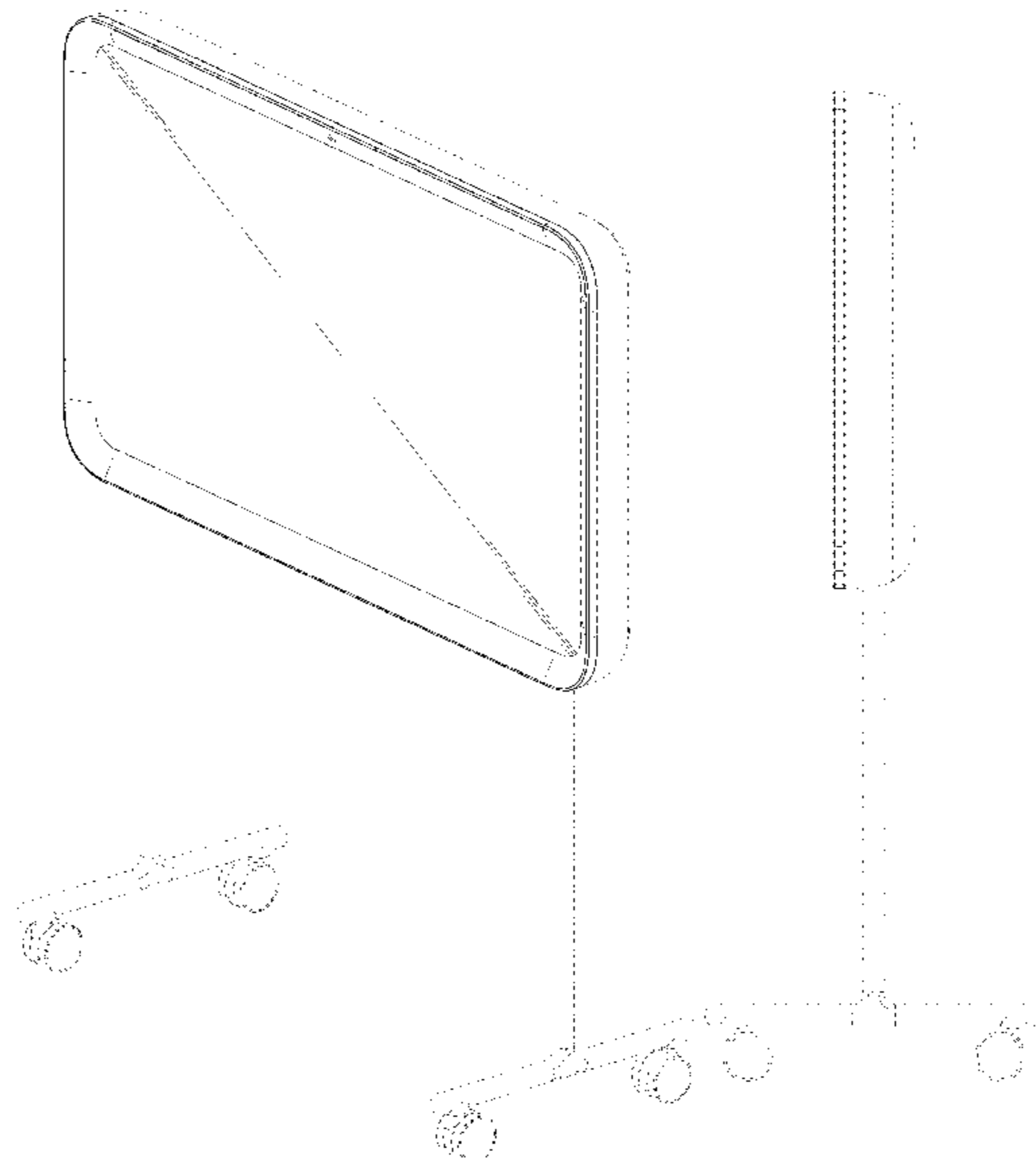
(57) **CLAIM**

The ornamental design for a television receiver, as shown and described.

DESCRIPTION

FIG. 1 is a front perspective view of a television receiver showing our new design;
FIG. 2 is a front elevation view thereof;
FIG. 3 is a rear elevation view thereof;
FIG. 4 is a left side elevation view thereof;
FIG. 5 is a right side elevation view thereof;
FIG. 6 is a top plan view thereof; and,
FIG. 7 is a bottom plan view thereof.
The evenly dashed broken lines in the drawings illustrate portions of the television receiver that form no part of the claimed design.

1 Claim, 7 Drawing Sheets



(56)

References Cited

U.S. PATENT DOCUMENTS

D780,139 S * 2/2017 Bouroullec D14/126
D784,542 S * 4/2017 Zwierstra D24/186
D848,969 S * 5/2019 Kim D14/126
D849,701 S * 5/2019 Lee D14/126
D850,400 S * 6/2019 Kim D14/126
D864,773 S * 10/2019 Zhang D10/52
D935,525 S * 11/2021 Ji D19/113
D945,965 S * 3/2022 Wang D13/108
D950,401 S * 5/2022 Huang D14/336

FOREIGN PATENT DOCUMENTS

CN 304874735 S 11/2018
EM 000933015-0001 6/2008
EM 001637141-0009 11/2009

* cited by examiner

FIG. 1

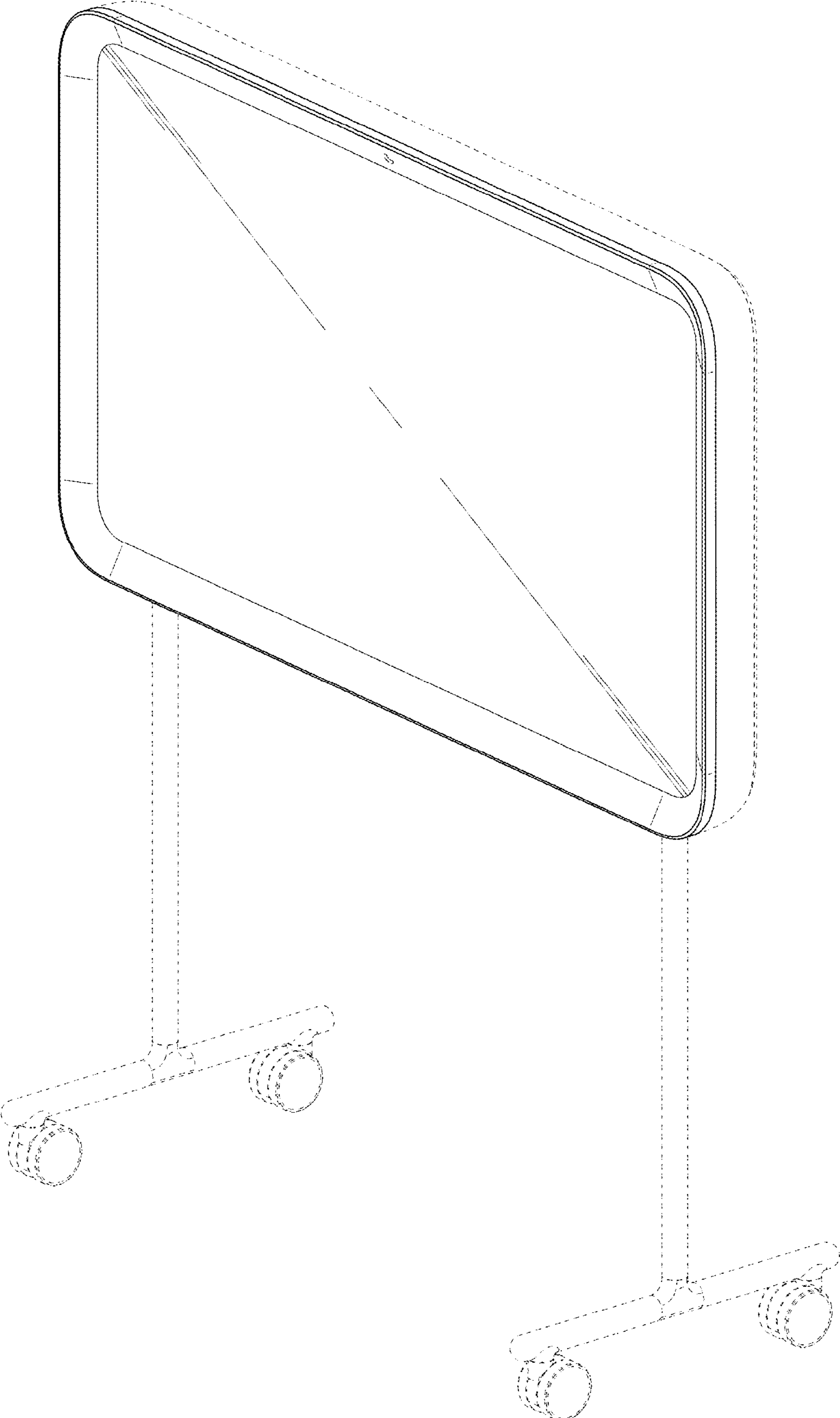


FIG. 2

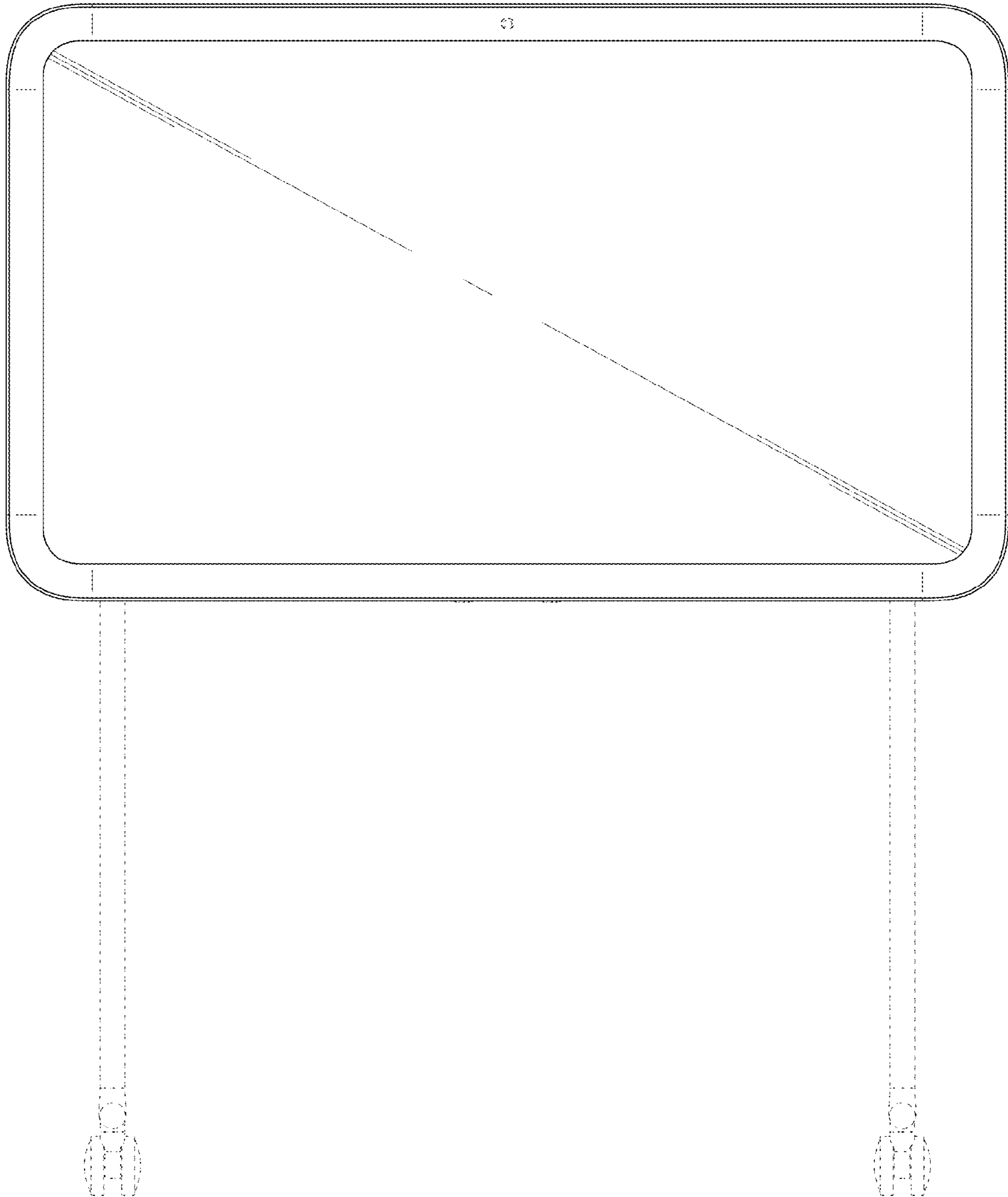


FIG. 3

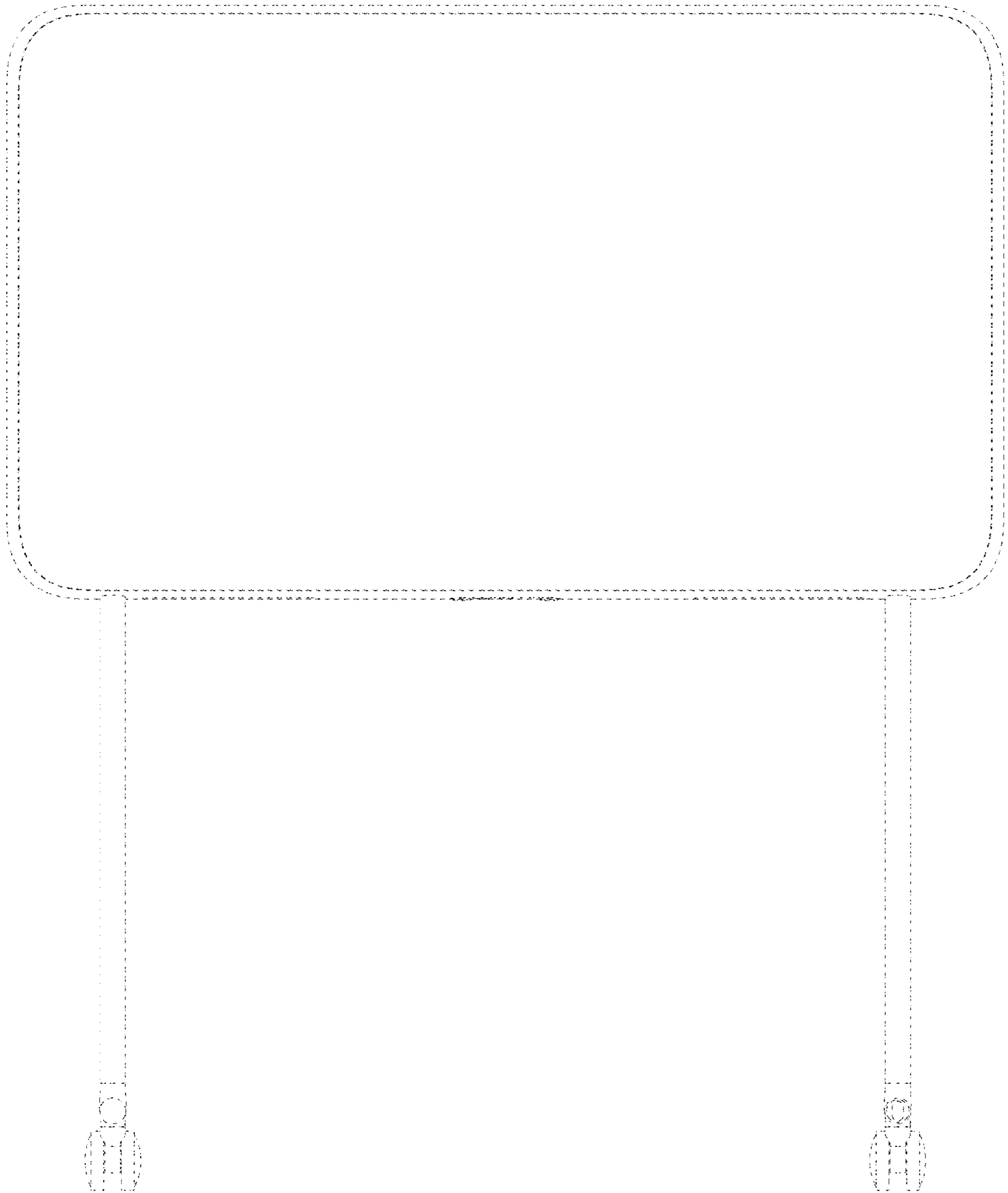


FIG. 4

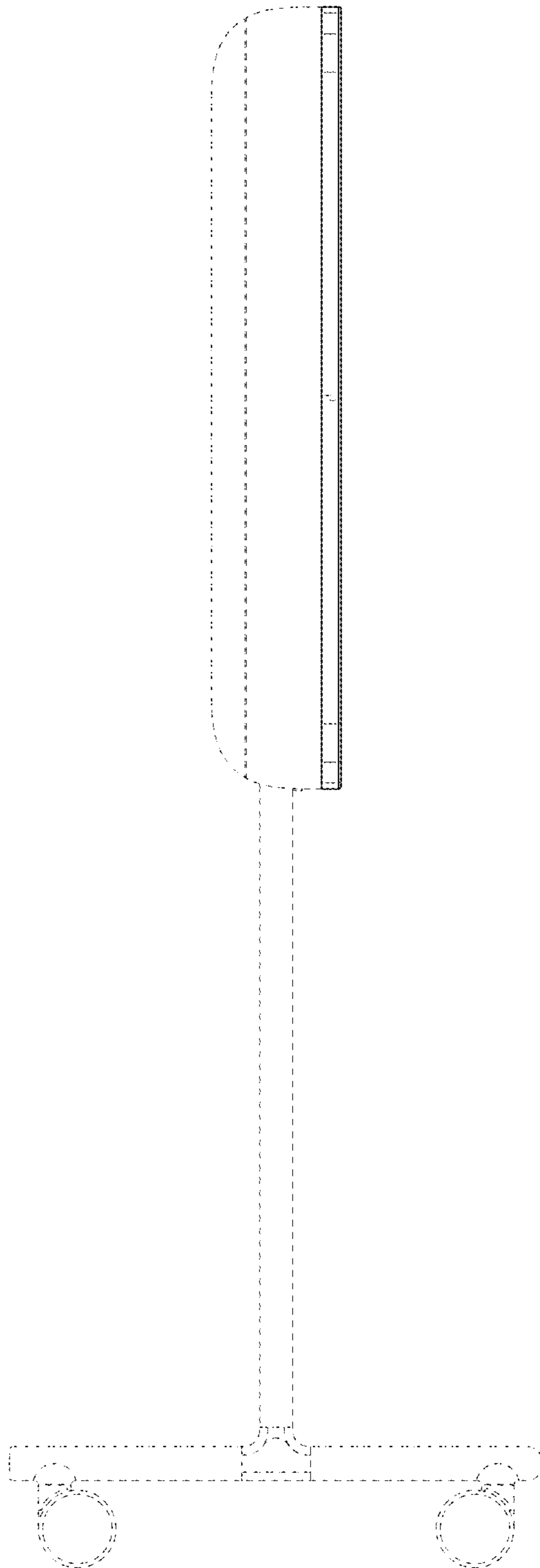


FIG. 5

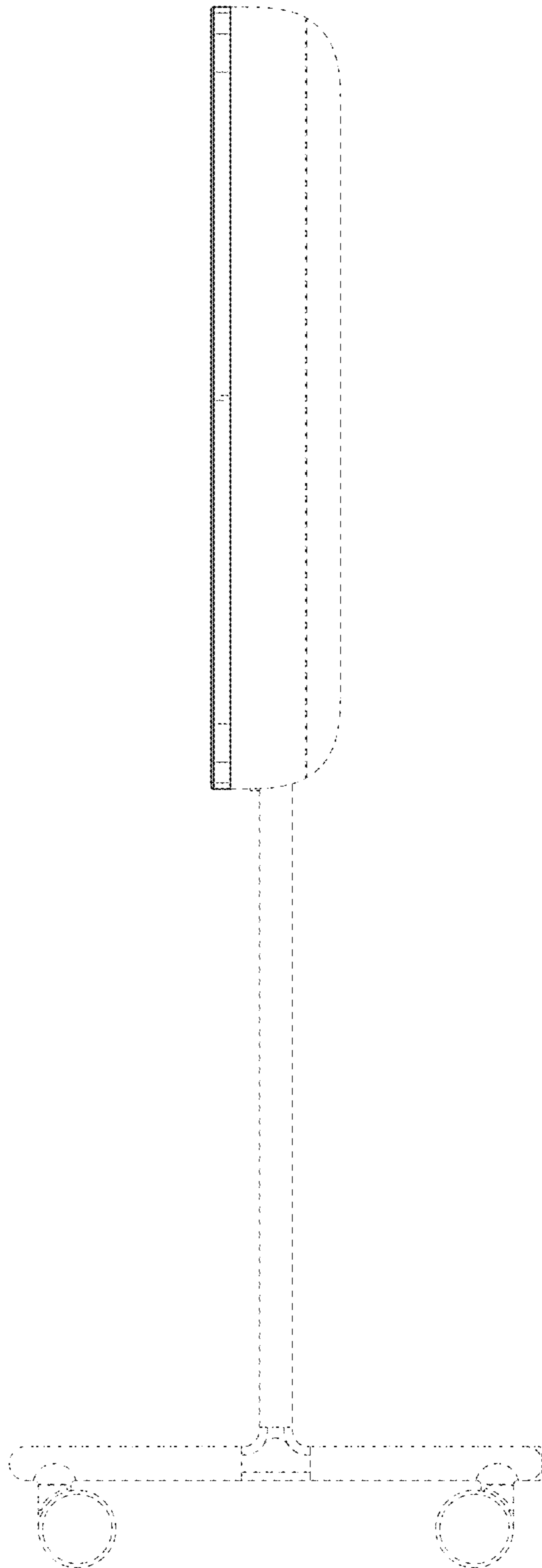


FIG. 6

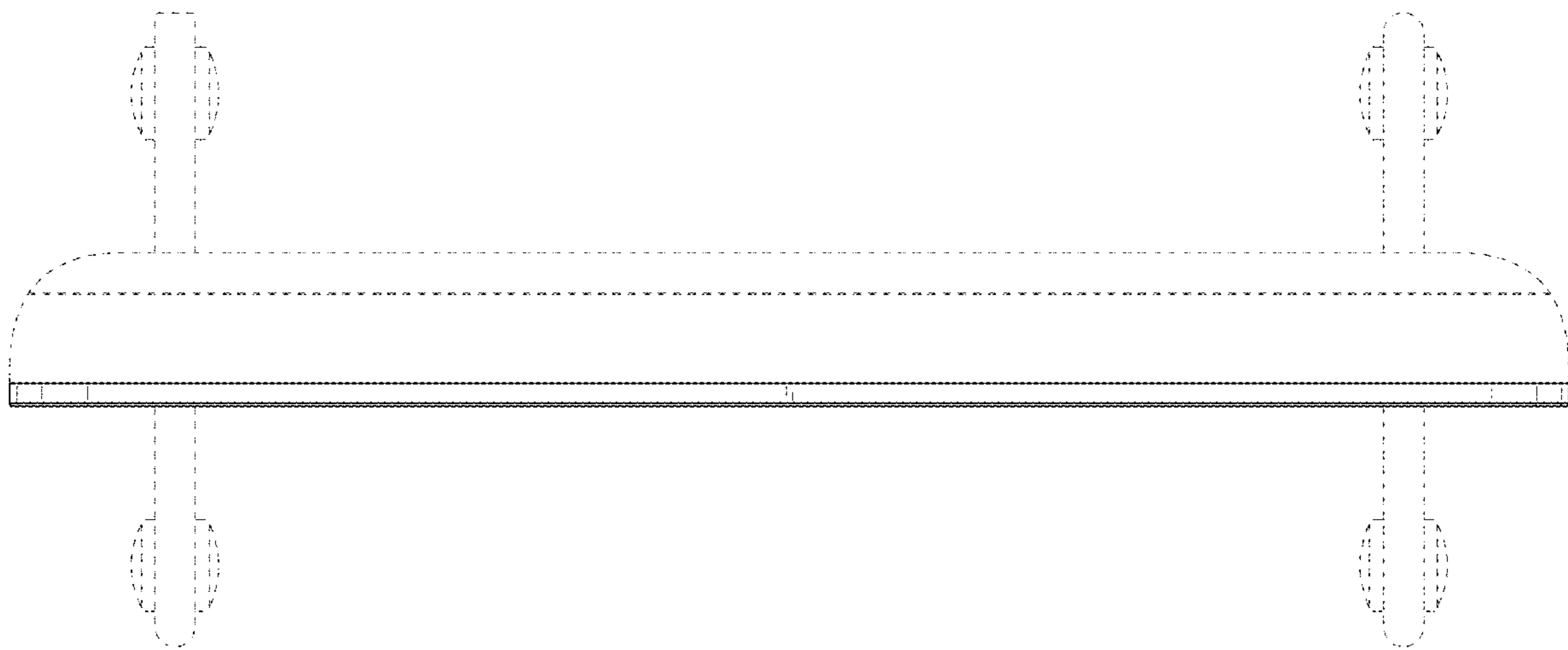


FIG. 7

