

US00D967040S

(12) **United States Design Patent**
Potter

(10) **Patent No.:** **US D967,040 S**

(45) **Date of Patent:** **** Oct. 18, 2022**

- (54) **CIRCUIT BOARD CASE COVER**
- (71) Applicant: **Jason Potter**, Stafford (AU)
- (72) Inventor: **Jason Potter**, Stafford (AU)
- (**) Term: **15 Years**
- (21) Appl. No.: **29/788,044**
- (22) Filed: **Feb. 24, 2021**
- (51) **LOC (13) Cl.** **13-03**
- (52) **U.S. Cl.**
USPC **D13/184**
- (58) **Field of Classification Search**
USPC D13/110, 112, 118, 123, 133, 146, 147,
D13/154, 158-160, 173, 184, 199
CPC H05K 5/0073; H05K 5/0043; H05K 5/062
See application file for complete search history.

(56) **References Cited**

U.S. PATENT DOCUMENTS

- 4,092,698 A * 5/1978 Brefka G01R 1/04
361/752
- D257,723 S * 12/1980 Stockdale D13/162
- D288,803 S * 3/1987 Capawana D13/182
- D304,929 S * 12/1989 Bench D13/126
- D305,021 S * 12/1989 Bench D13/162
- D305,420 S * 1/1990 Bujak, Jr. D13/162
- 5,214,621 A * 5/1993 Maggelet H05K 7/20127
361/752
- D377,338 S * 1/1997 Terleski D13/184
- 8,437,134 B2 * 5/2013 Sarginger B60R 16/0239
174/547
- D756,938 S * 5/2016 Flegel D13/184
- D758,979 S * 6/2016 Moon D13/184
- 10,251,297 B2 * 4/2019 Manushi H05K 1/181

- 2003/0147204 A1* 8/2003 Koike H05K 5/0043
361/600
- 2010/0018892 A1* 1/2010 Kohmura H05K 5/0073
206/706
- 2018/0177067 A1* 6/2018 Manushi H05K 7/1427
- 2022/0131293 A1* 4/2022 Wang H01R 13/6595

* cited by examiner

Primary Examiner — Keli L Hill

Assistant Examiner — Harold E Blackwell, II

(74) *Attorney, Agent, or Firm* — Dunlap Bennett & Ludwig, PLLC

(57) **CLAIM**

The ornamental design for a circuit board case cover, as shown and described.

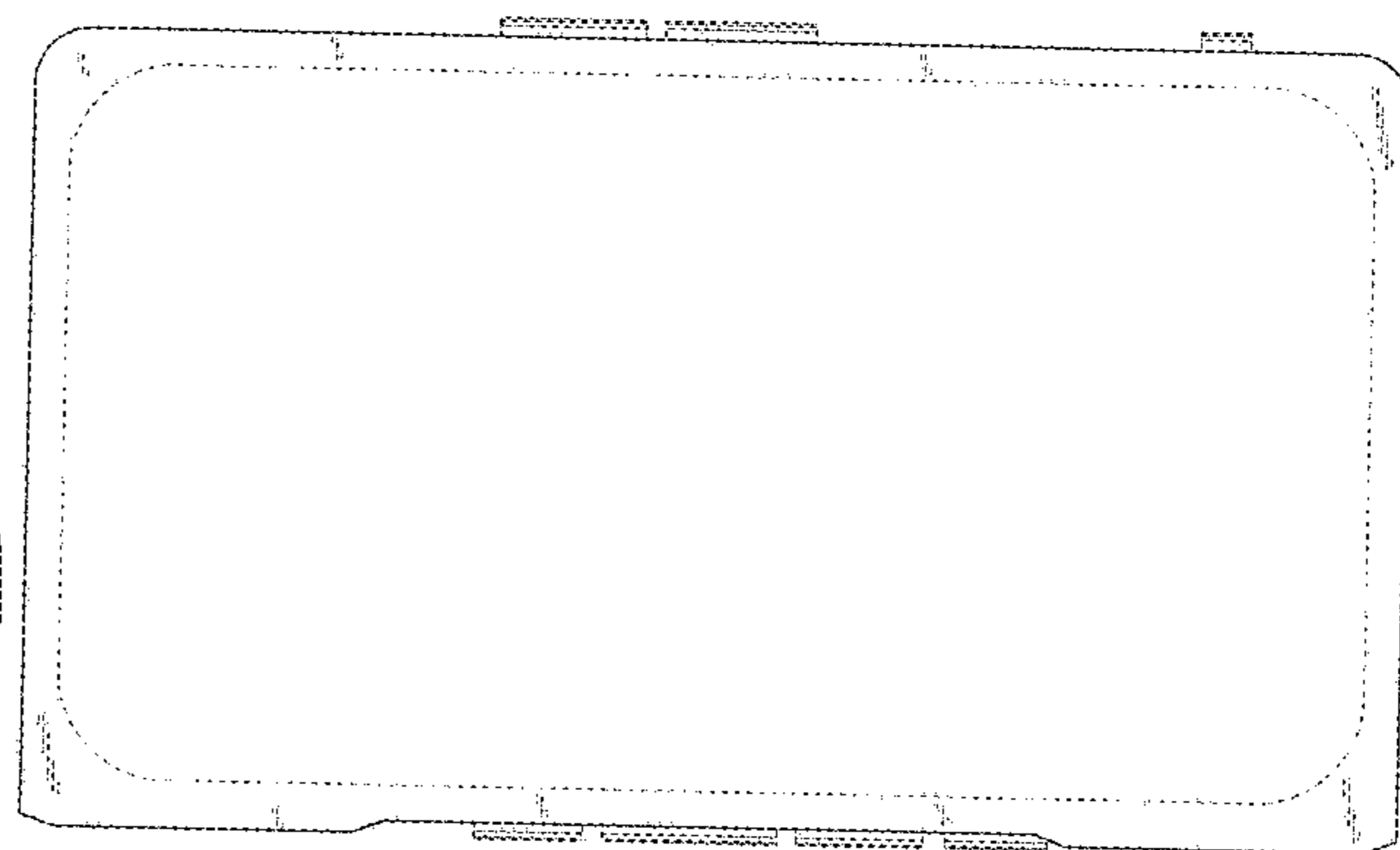
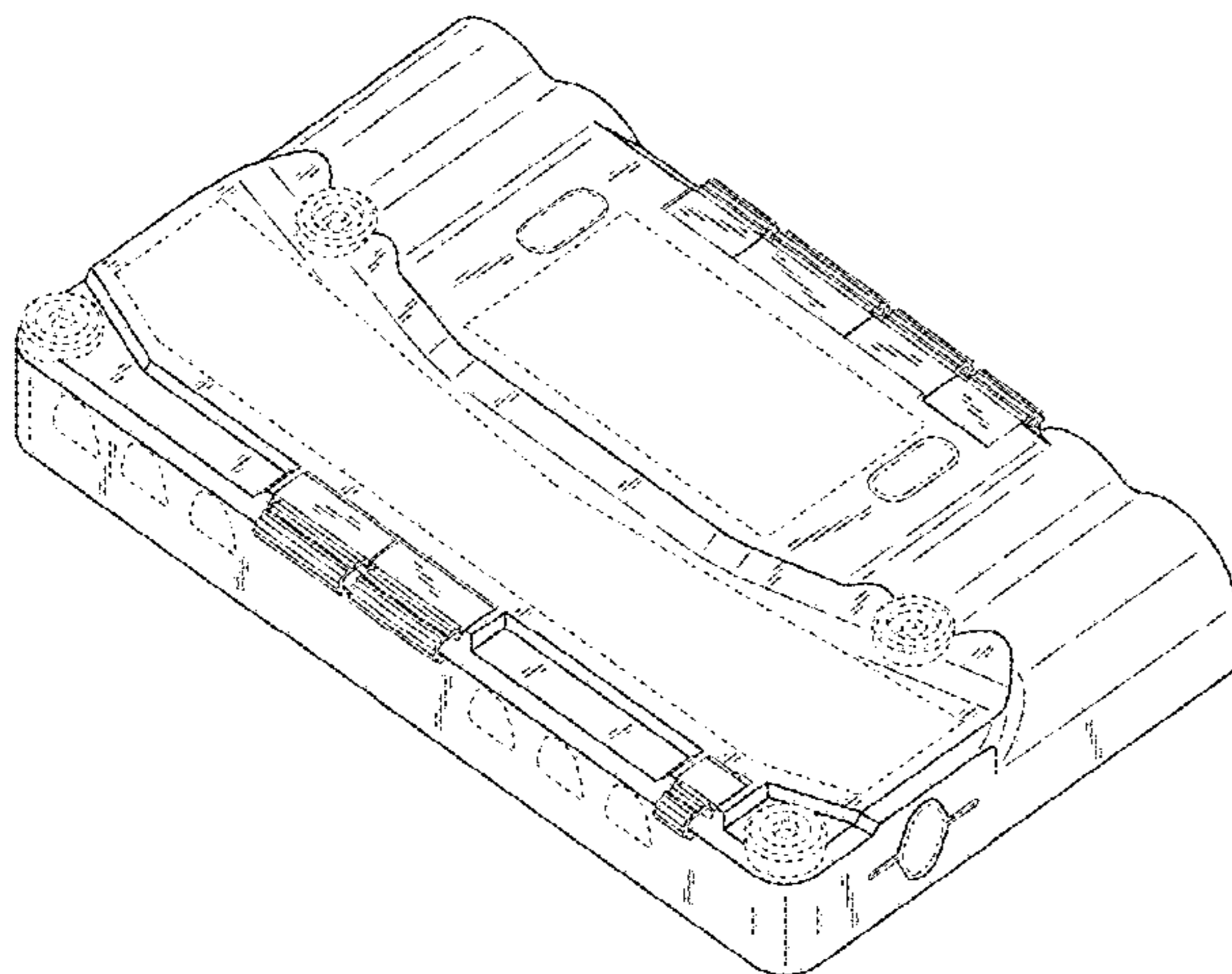
DESCRIPTION

FIG. 1 is a top front perspective view of a circuit board case cover, showing my new design;
 FIG. 2 is a front elevation view thereof;
 FIG. 3 is a rear elevation view thereof;
 FIG. 4 is a left side elevation view thereof;
 FIG. 5 is a right side elevation view thereof;
 FIG. 6 is a top plan view thereof; and,
 FIG. 7 is a bottom plan view thereof.

The evenly-sized dash-dash broken lines shown in the drawings depict portions of the circuit board case cover that form no part of the claimed design.

The unevenly-sized dash-dot-dash broken lines shown in the drawings depict the bounds of the claimed design, and the unevenly-sized dash-dot-dash broken lines form no part of the claimed design.

1 Claim, 5 Drawing Sheets



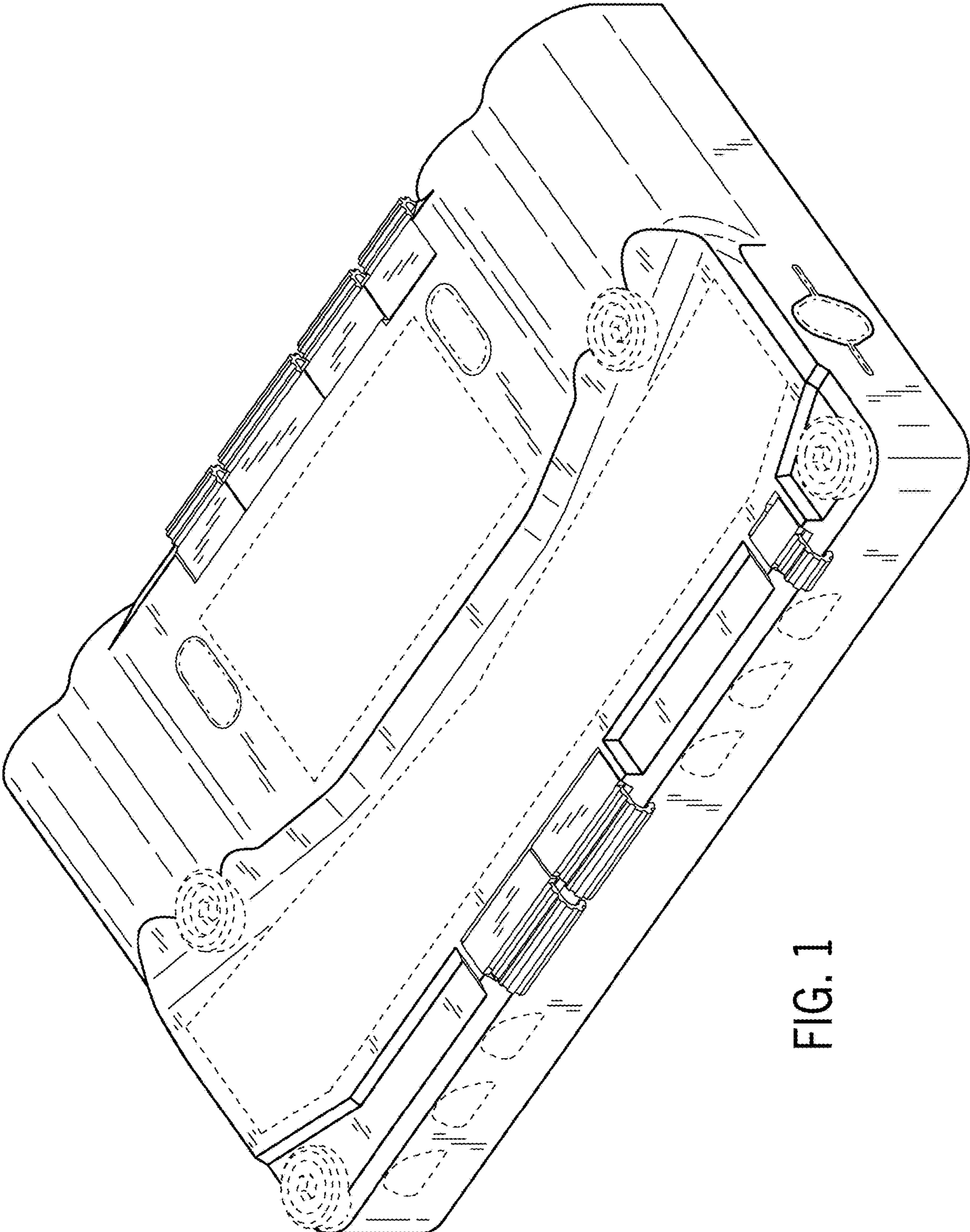


FIG. 1

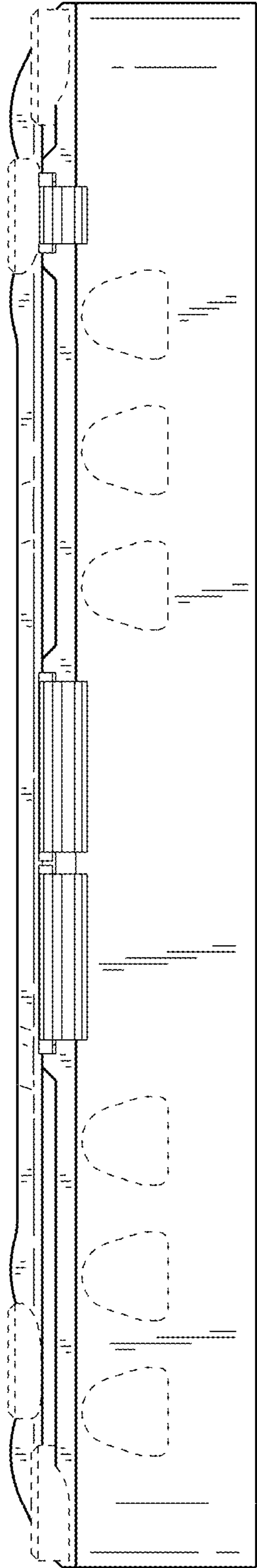


FIG. 2

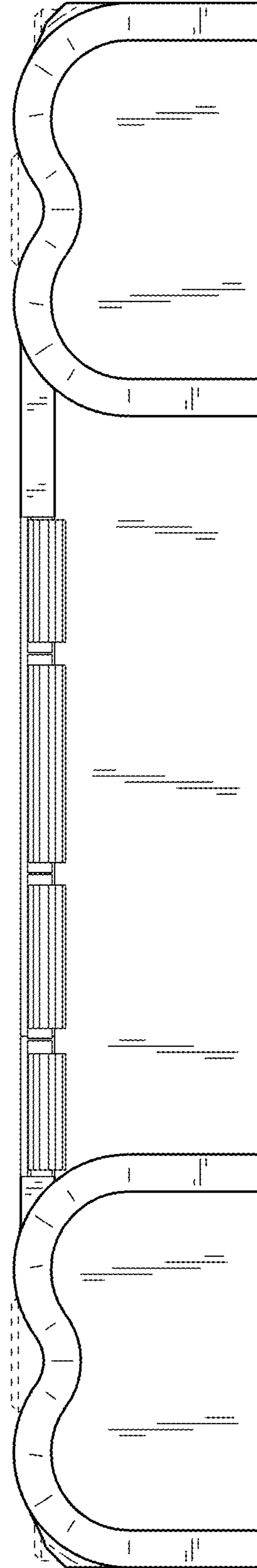


FIG. 3

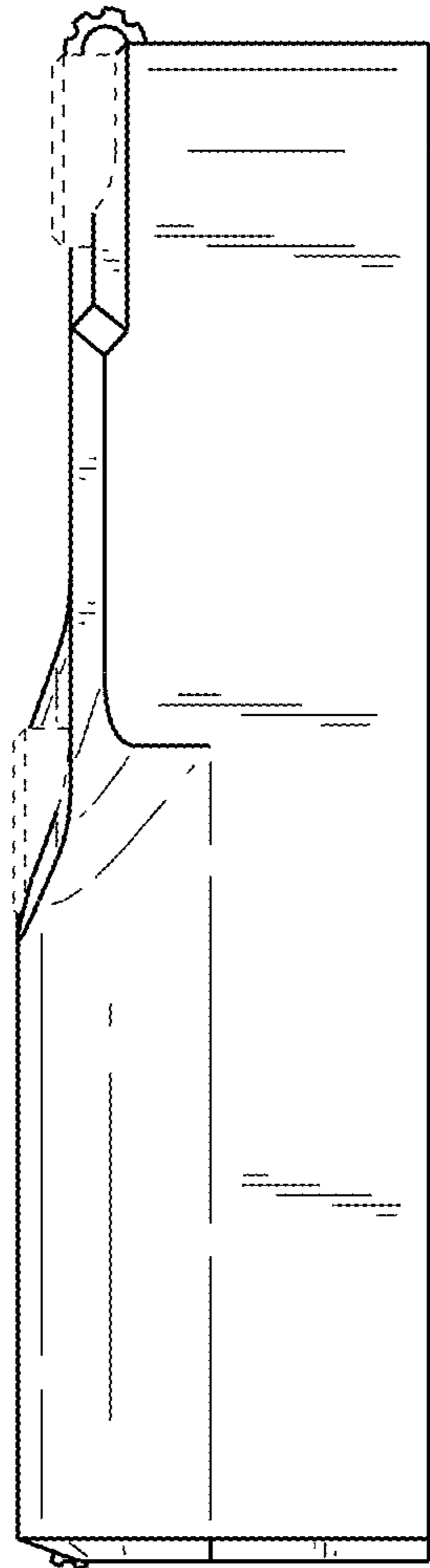


FIG. 4

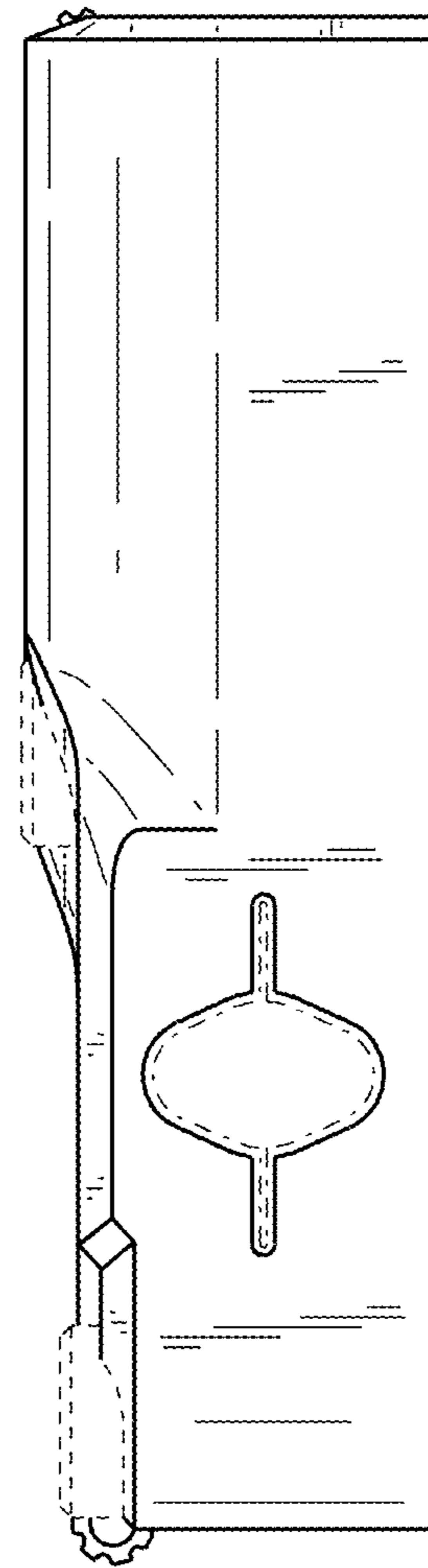


FIG. 5

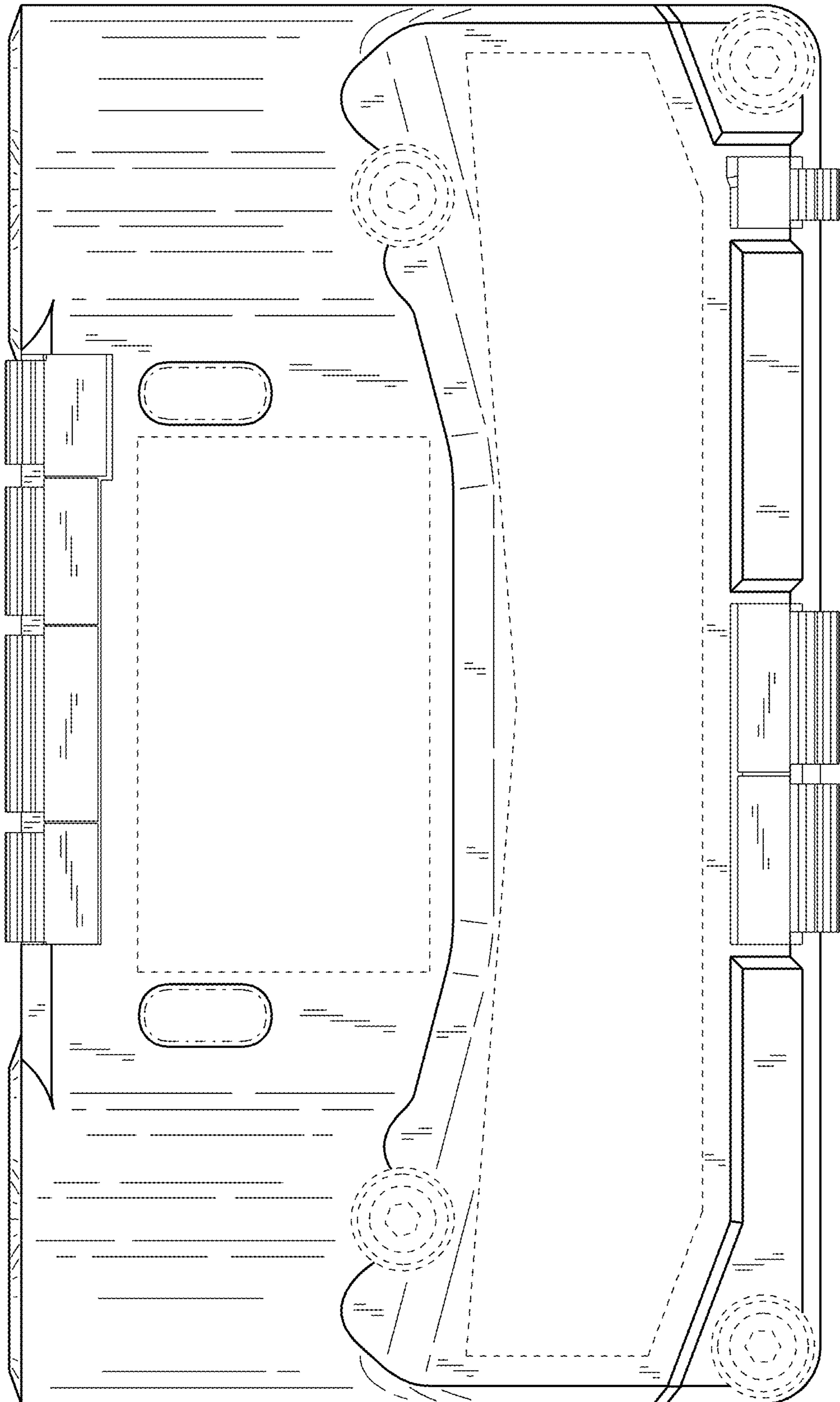


FIG. 6

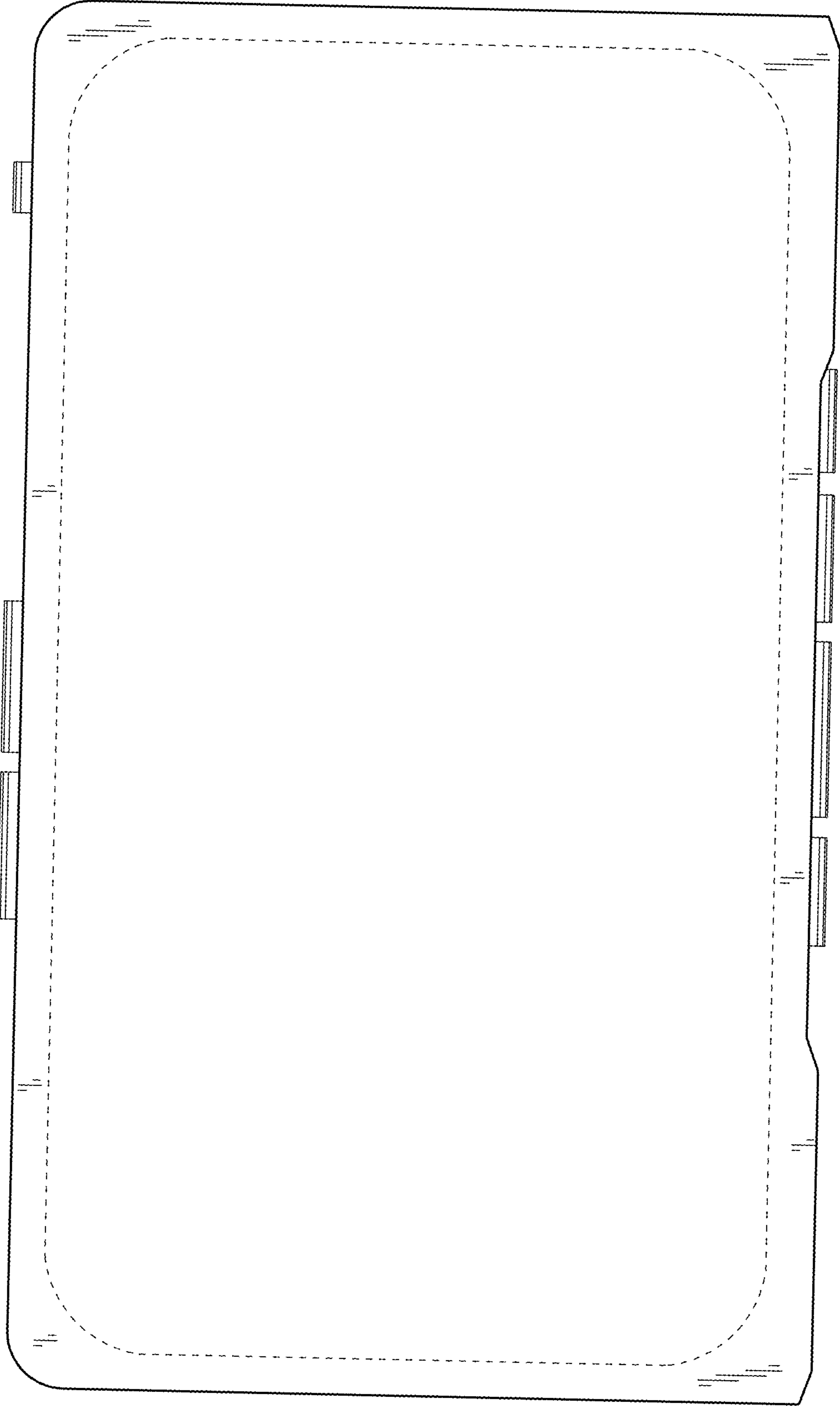


FIG. 7