



US00D967039S

(12) **United States Design Patent** (10) **Patent No.:** **US D967,039 S**  
**Zhao** (45) **Date of Patent:** **\*\* Oct. 18, 2022**

- (54) **SPRINKLER CONTROLLER**
- (71) Applicant: **Wuhan Feicheer Technology Co., Ltd., Hubei (CN)**
- (72) Inventor: **Yao Zhao, Wuhan (CN)**
- (73) Assignee: **Wuhan Feicheer Technology Co., Ltd., Hubei (CN)**
- (\*\*) Term: **15 Years**
- (21) Appl. No.: **29/822,007**
- (22) Filed: **Jan. 5, 2022**
- (51) **LOC (13) Cl.** ..... **14-03**
- (52) **U.S. Cl.**  
USPC ..... **D13/168; D10/49**
- (58) **Field of Classification Search**  
USPC ..... D13/162, 168, 184; D14/218, 240, 242, D14/358; D10/49, 50  
CPC .... A01G 25/16; A01G 25/165; A01G 25/167; A01G 27/003; G05B 15/02; G05B 19/02; G05B 19/04; G05B 19/042  
See application file for complete search history.

D954,582 S *	6/2022	Chen	.....	D10/118.2
2015/0096876 A1 *	4/2015	Mittleman	.....	H01H 11/00 200/341
2016/0029147 A1 *	1/2016	Chiao	.....	H04B 5/0031 455/41.3
2017/0290186 A1 *	10/2017	Tsai	.....	H05K 7/1427
2021/0378110 A1 *	12/2021	Kish	.....	H05K 5/0204
2022/0217930 A1 *	7/2022	Kim	.....	A01G 20/30

**OTHER PUBLICATIONS**

Imolaza by Wuhan Feicheer Technology Co., Ltd.Smart Sprinkler Controller, Nov. 29, 2021; 4 pgs.;[https://www.google.com/search?q=Wuhan+Feicheer+Technology+sprinkler+controller&rlz=1C1GCEB\\_enUS799US802&source=lnms&tbn=isch&sa=X&ved=2ahUKEwjUoKus9Oz5AhXRMVkfFHT8IAXgQ\\_AUoAnoECAEQBA&biw=2048&bih=754&dpr=1.25#imgcr=UdnQAVW\\_6k.\\*](https://www.google.com/search?q=Wuhan+Feicheer+Technology+sprinkler+controller&rlz=1C1GCEB_enUS799US802&source=lnms&tbn=isch&sa=X&ved=2ahUKEwjUoKus9Oz5AhXRMVkfFHT8IAXgQ_AUoAnoECAEQBA&biw=2048&bih=754&dpr=1.25#imgcr=UdnQAVW_6k.*)

(Continued)

*Primary Examiner* — Selina Sikder  
(74) *Attorney, Agent, or Firm* — ScienBiziP, P.C.

(57) **CLAIM**

The ornamental design for a sprinkler controller, as shown and described.

**DESCRIPTION**

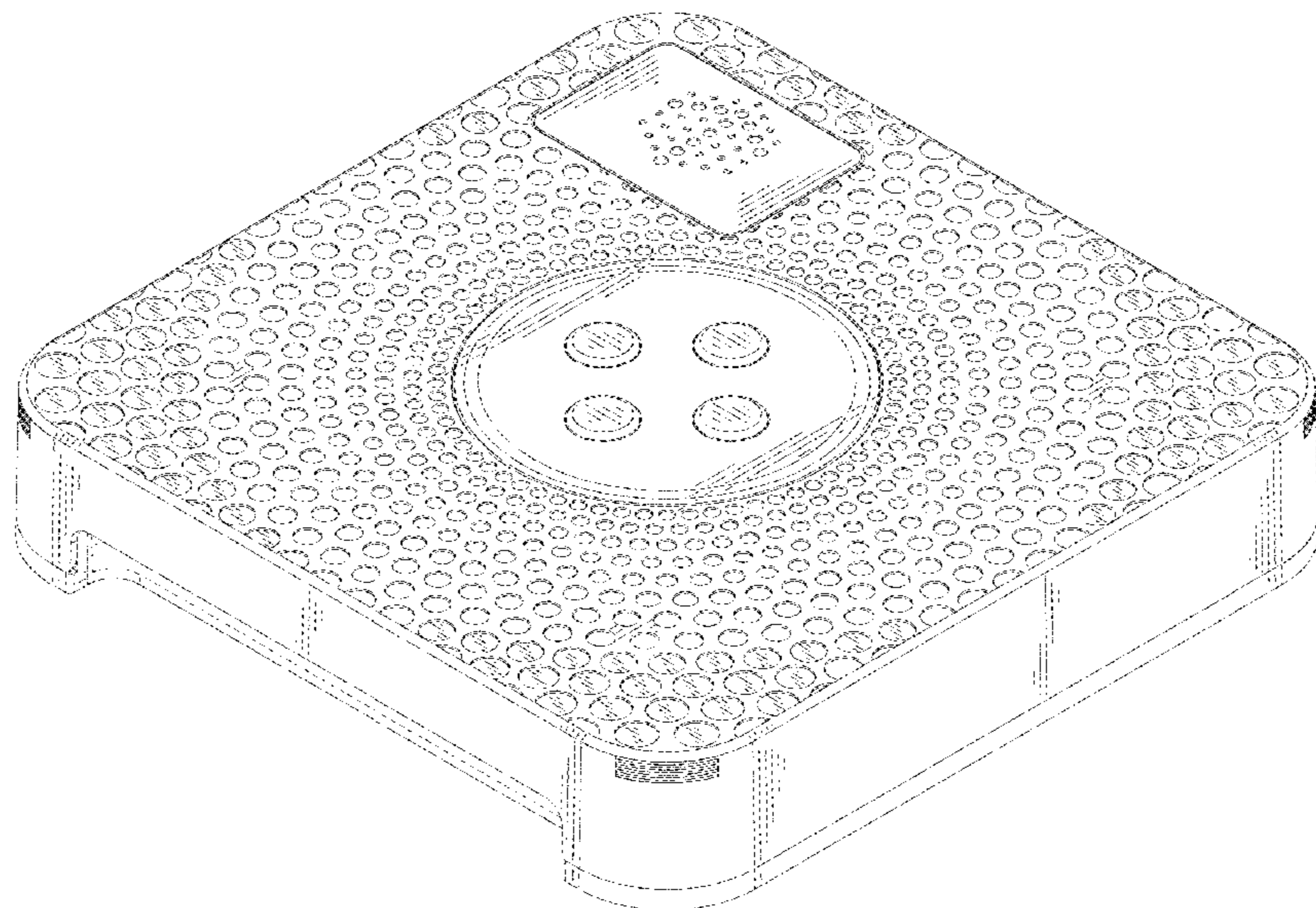
FIG. 1 is a front, right, and top perspective view of a sprinkler controller, showing my design.  
FIG. 2 is a rear, left, and bottom perspective view thereof.  
FIG. 3 is a front elevation view thereof.  
FIG. 4 is a rear elevation view thereof.  
FIG. 5 is a left side elevation view thereof.  
FIG. 6 is a right side elevation view thereof.  
FIG. 7 is a top plan view thereof; and,  
FIG. 8 is a bottom plan view thereof.  
The broken lines shown in the drawings are included for the purpose of illustrating portions of the sprinkler controller that form no part of the claimed design.

**1 Claim, 8 Drawing Sheets**

(56) **References Cited**

**U.S. PATENT DOCUMENTS**

D629,370 S *	12/2010	Sheppard	.....	D14/125
D724,462 S *	3/2015	Bould	.....	D10/106.2
D766,750 S *	9/2016	Fadell	.....	D10/53
D799,018 S *	10/2017	Kim	.....	D23/370
D807,841 S *	1/2018	Lee	.....	D14/125
D850,297 S	6/2019	Alcorn et al.		
D850,298 S	6/2019	Alcorn et al.		
D852,662 S *	7/2019	Zhong	.....	D10/106.2
D856,287 S *	8/2019	Chen	.....	D13/168
D856,942 S *	8/2019	Chen	.....	D13/168
D910,465 S *	2/2021	Lindeman	.....	D10/49
D910,587 S *	2/2021	Newton	.....	D14/149
D925,604 S *	7/2021	Wang	.....	D14/499
D935,904 S *	11/2021	Johnson	.....	D10/49



(56)

**References Cited**

## OTHER PUBLICATIONS

Smart Sprinkler Controller, Imolaza WiFi Sprinkler Controller; May 12, 2022; 2 pgs.; [https://www.amazon.com/Sprinkler-Controller-Imolaza-Automatic-Irrigation/dp/B09QS4LZX4/ref=sr\\_1\\_4\\_sspa?keywords=smart%2Bsprinkler%2Bcontroller&qid=1661895570&sr=8-4-spons&spLa=ZW5jcnlwdGVkUXVhbGlmaWVyPUEzVE9XWTVVMUc4WkZZJmVuY3J5cHRI](https://www.amazon.com/Sprinkler-Controller-Imolaza-Automatic-Irrigation/dp/B09QS4LZX4/ref=sr_1_4_sspa?keywords=smart%2Bsprinkler%2Bcontroller&qid=1661895570&sr=8-4-spons&spLa=ZW5jcnlwdGVkUXVhbGlmaWVyPUEzVE9XWTVVMUc4WkZZJmVuY3J5cHRI).\*

US\_E Smart Sprinkler Controller, 8 Zone Watering Timer & Weather Intelligent Irrigation System, Oct. 2021; 2 pgs.; <https://www.amazon.com/US-Controller-Intelligent-Irrigation-Compatible/dp/B09DYG5QVR>.\*

Tolviviov Smart Sprinkler Controller, 8 Zone Smart Irrigation Controller; Nov. 17, 2021; 2 pgs.; [https://www.amazon.co.uk/tolviviov-Controller-Irrigation-Compatible-Greenhouses/dp/B09M2MPR1R/ref=sr\\_1\\_12?crid=28P1LDYL1RA7O&keywords=Smart+Sprinkler+Controller%2C+Imolaza+WiFi+Sprinkler+Controller%2C+Automatic+Remote+WiFi](https://www.amazon.co.uk/tolviviov-Controller-Irrigation-Compatible-Greenhouses/dp/B09M2MPR1R/ref=sr_1_12?crid=28P1LDYL1RA7O&keywords=Smart+Sprinkler+Controller%2C+Imolaza+WiFi+Sprinkler+Controller%2C+Automatic+Remote+WiFi).\*

Netro Smart 12-Zone WiFi Sprinkler Controller, Mar. 1, 2017; 2 pgs.; [https://www.amazon.co.uk/Netro-12-Zone-Sprinkler-Controller-Weather/dp/B06XCRZWMN/ref=sr\\_1\\_4\\_sspa?crid=VP8YGVY1J53&keywords=smart+irrigation+controller&qid=1661963021&sprefix=smart+irrigation+contoller%2Caps%2C151&sr=8-4-spons&psc=1](https://www.amazon.co.uk/Netro-12-Zone-Sprinkler-Controller-Weather/dp/B06XCRZWMN/ref=sr_1_4_sspa?crid=VP8YGVY1J53&keywords=smart+irrigation+controller&qid=1661963021&sprefix=smart+irrigation+contoller%2Caps%2C151&sr=8-4-spons&psc=1).\*

Wireless Doorbell, Waterproof Door Bell, 1,300 ft Long Range Cordless Battery Operated; Aug. 26, 2021; 2 pgs.; [https://www.amazon.co.uk/Wireless-Doorbell-Waterproof-Cordless-Operated/dp/B09DQ2TFFT/ref=sr\\_1\\_30?crid=WHD83FPXO0VD&keywords=JINGT%2BB08%2BDoorbell%2B12V%2BWired%2BBell%2BLoud%2Bfor%2BHome%2BOffice%2BAccess%2B](https://www.amazon.co.uk/Wireless-Doorbell-Waterproof-Cordless-Operated/dp/B09DQ2TFFT/ref=sr_1_30?crid=WHD83FPXO0VD&keywords=JINGT%2BB08%2BDoorbell%2B12V%2BWired%2BBell%2BLoud%2Bfor%2BHome%2BOffice%2BAccess%2B).\*

\* cited by examiner

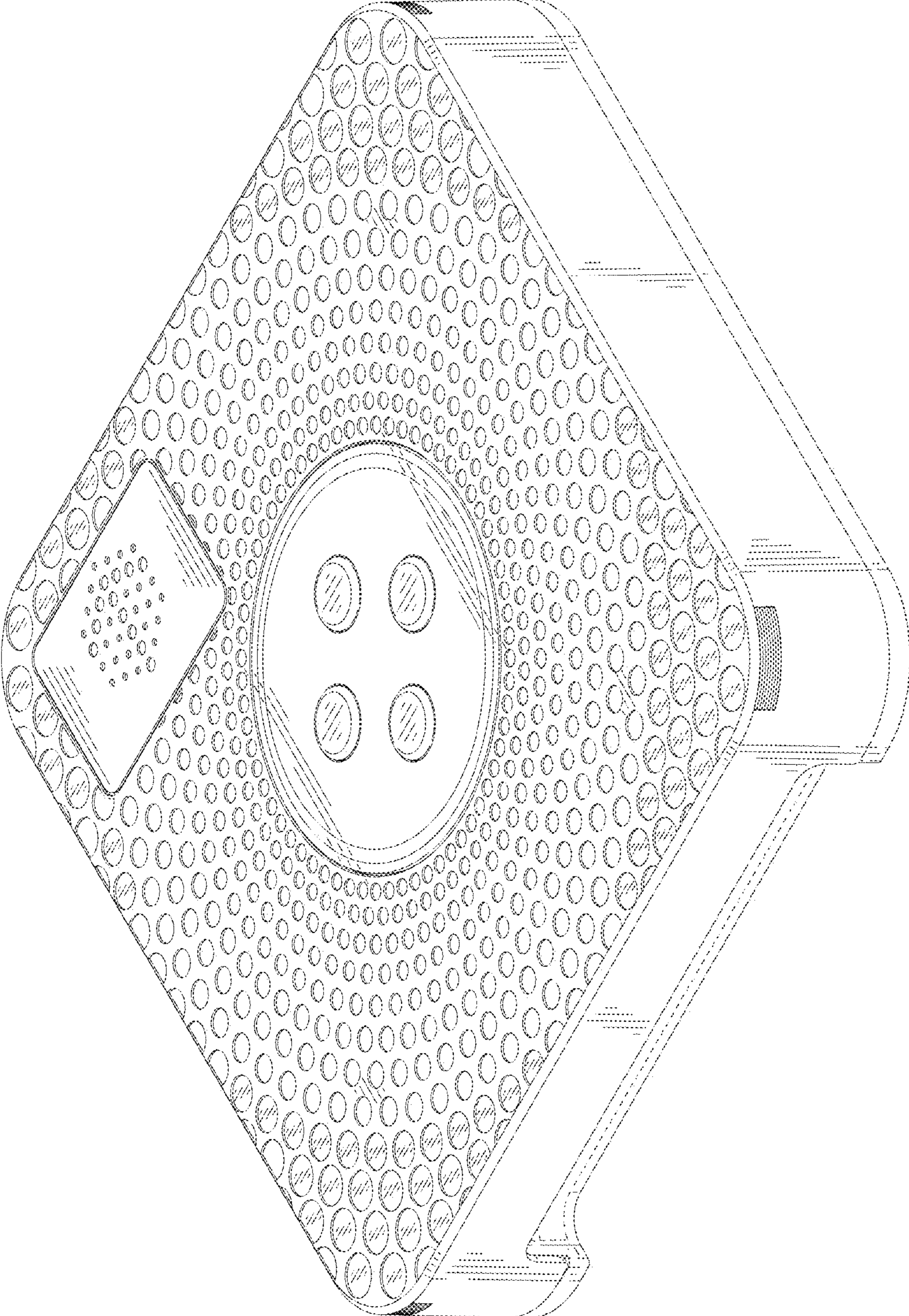


FIG. 1

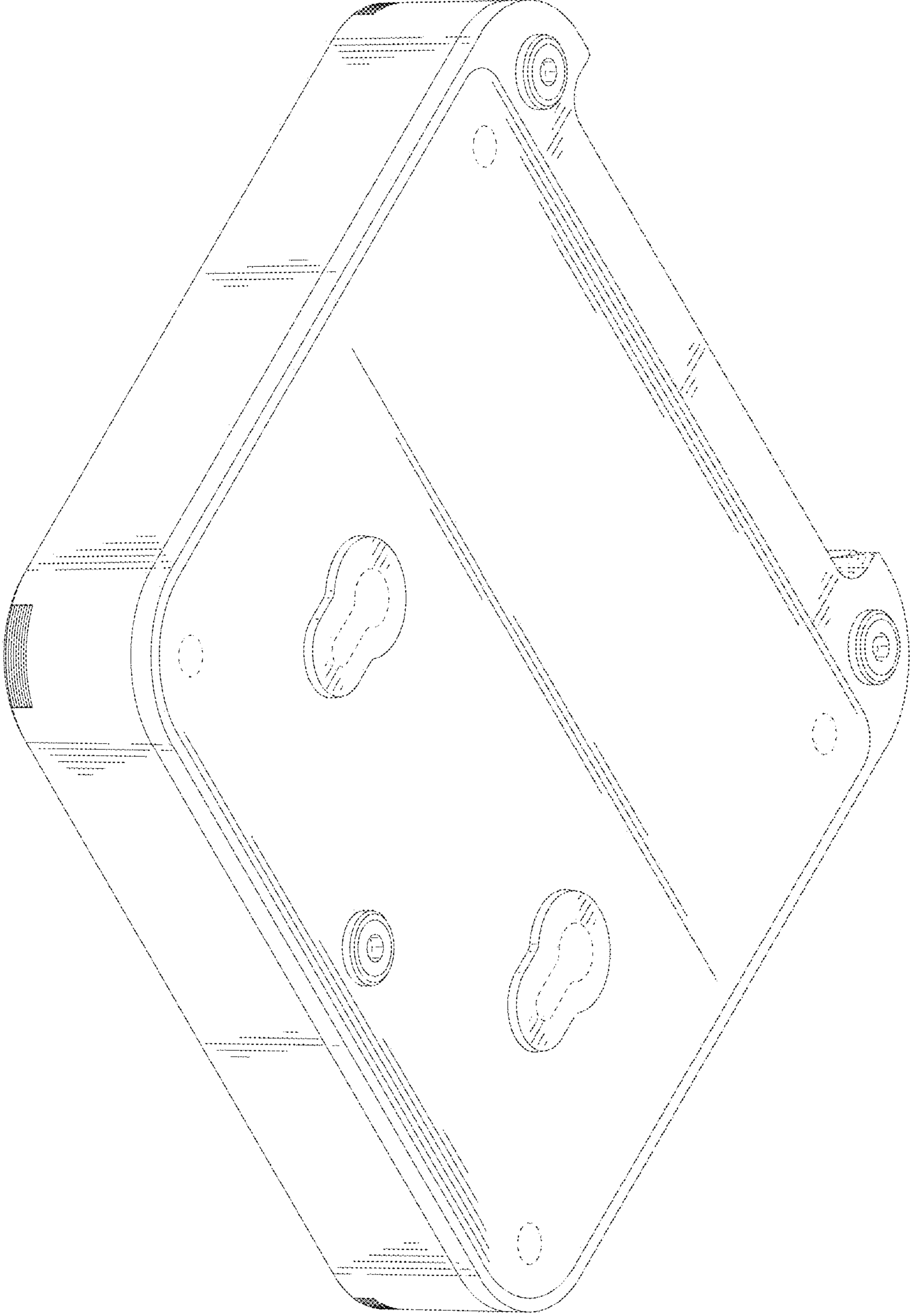


FIG. 2

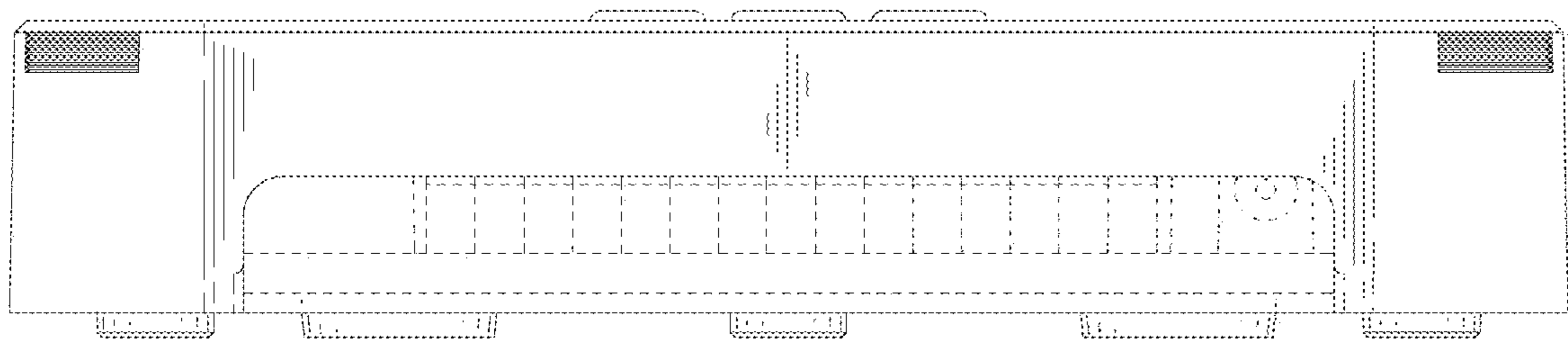


FIG. 3

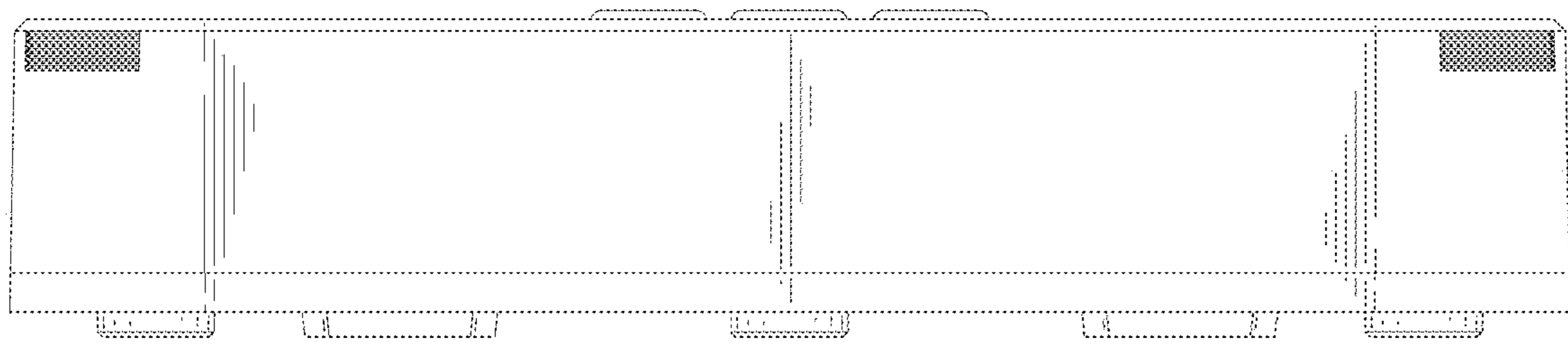


FIG. 4

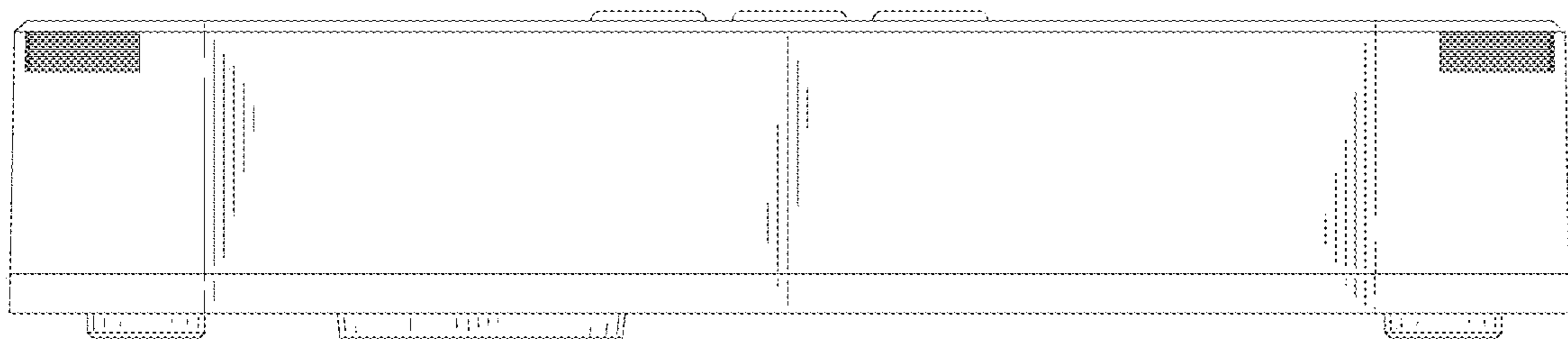


FIG. 5

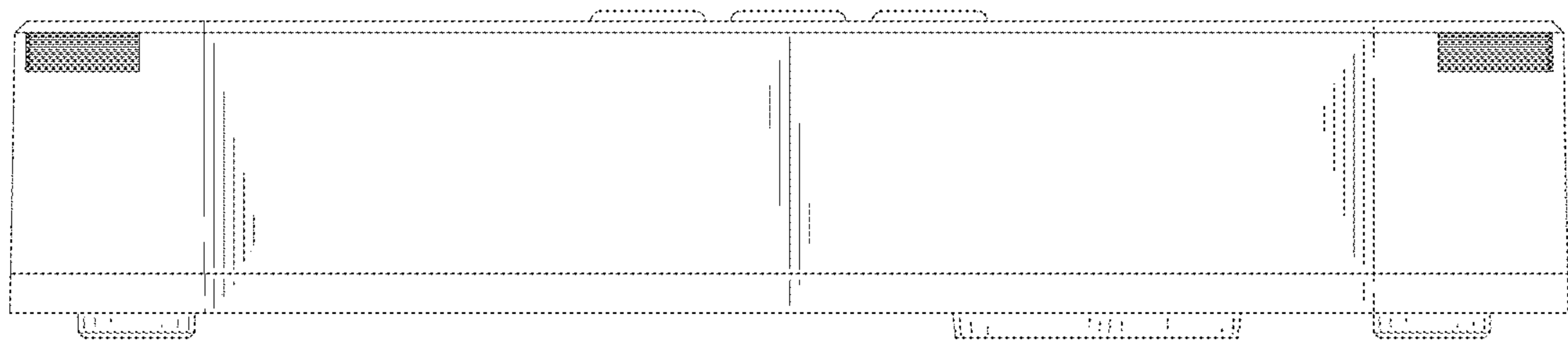


FIG. 6



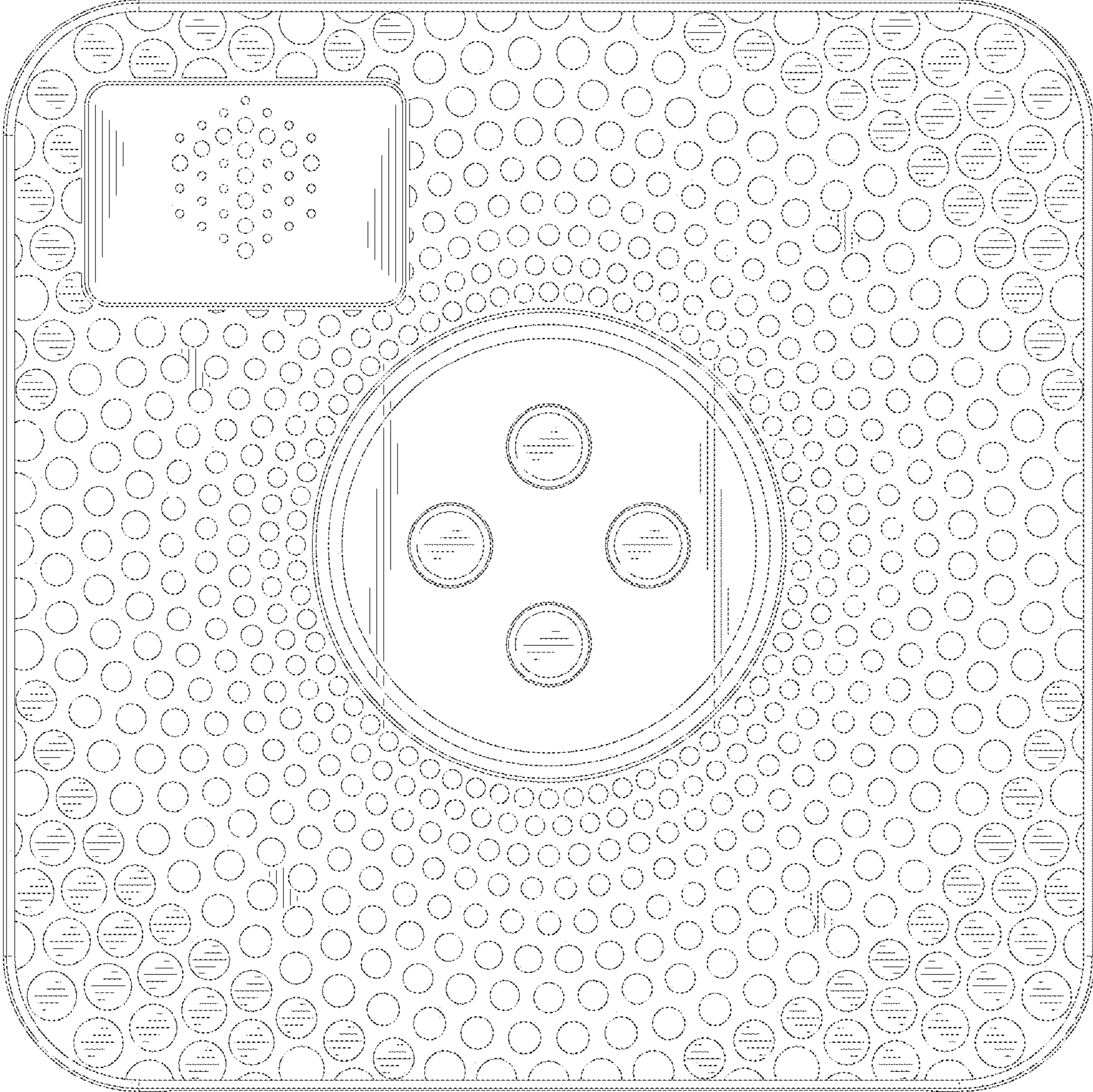


FIG. 7

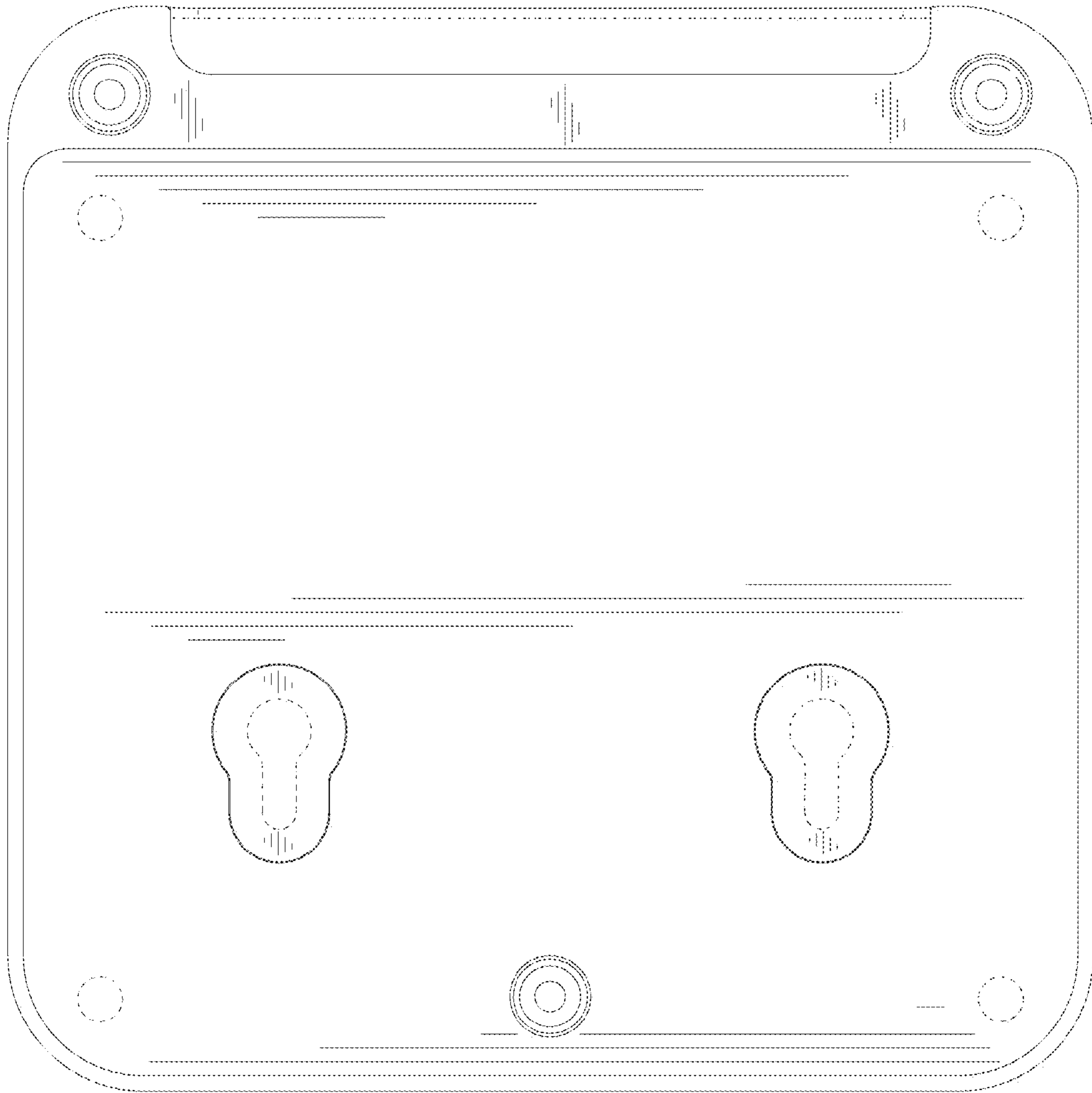


FIG. 8