



US00D967038S

(12) **United States Design Patent**
Schmidt

(10) **Patent No.:** **US D967,038 S**

(45) **Date of Patent:** **** Oct. 18, 2022**

(54) **REMOTE CONTROL**

(71) Applicant: **TRACTO-TECHNIK GMBH & CO.**
KG, Lennestadt (DE)

(72) Inventor: **Wolfgang Schmidt, Kirchhundem (DE)**

(73) Assignee: **TRACTO-TECHNIK GMBH & CO.**
KG, Lennestadt (DE)

(**) Term: **15 Years**

(21) Appl. No.: **29/701,798**

(22) Filed: **Aug. 14, 2019**

(51) **LOC (13) Cl.** **14-03**

(52) **U.S. Cl.**
USPC **D13/168**

(58) **Field of Classification Search**
USPC D13/168; D14/218, 401, 454; D15/28;
D34/35; D21/333, 324, 329, 566
See application file for complete search history.

(56) **References Cited**

U.S. PATENT DOCUMENTS

D577,724 S *	9/2008	Henne	D14/401
D638,374 S *	5/2011	Corcoran	D13/168
D689,028 S *	9/2013	Ewringmann	D13/168
D728,187 S *	4/2015	Zeppetzaer	D34/35
9,944,505 B2 *	4/2018	Haug	A63F 13/24
D867,238 S *	11/2019	Mariotti	D12/175
D868,708 S *	12/2019	Goos	D13/168
D868,709 S *	12/2019	Goos	D13/168
D868,710 S *	12/2019	Goos	D13/168
D869,405 S *	12/2019	Goos	D13/168
D907,323 S *	1/2021	Brendel	D34/35
2010/0110620 A1 *	5/2010	Haug	H05K 5/0017 361/679.01
2015/0018101 A1 *	1/2015	Schoenith	A63F 13/98 463/37

2016/0313732 A1 *	10/2016	Seydoux	G06T 19/006
2017/0073198 A1 *	3/2017	Haug	E02F 9/2004
2017/0210603 A1 *	7/2017	Maffeis	B66C 13/44

(Continued)

OTHER PUBLICATIONS

Industrial Remote Control; searched on Jan. 13, 2021—; 1 pg. ;
<https://www.featurepics.com/online/Industrial-Remote-Control-3170120.aspx>.*

(Continued)

Primary Examiner — Selina Sikder

(74) *Attorney, Agent, or Firm* — Howard IP Law Group,
PC

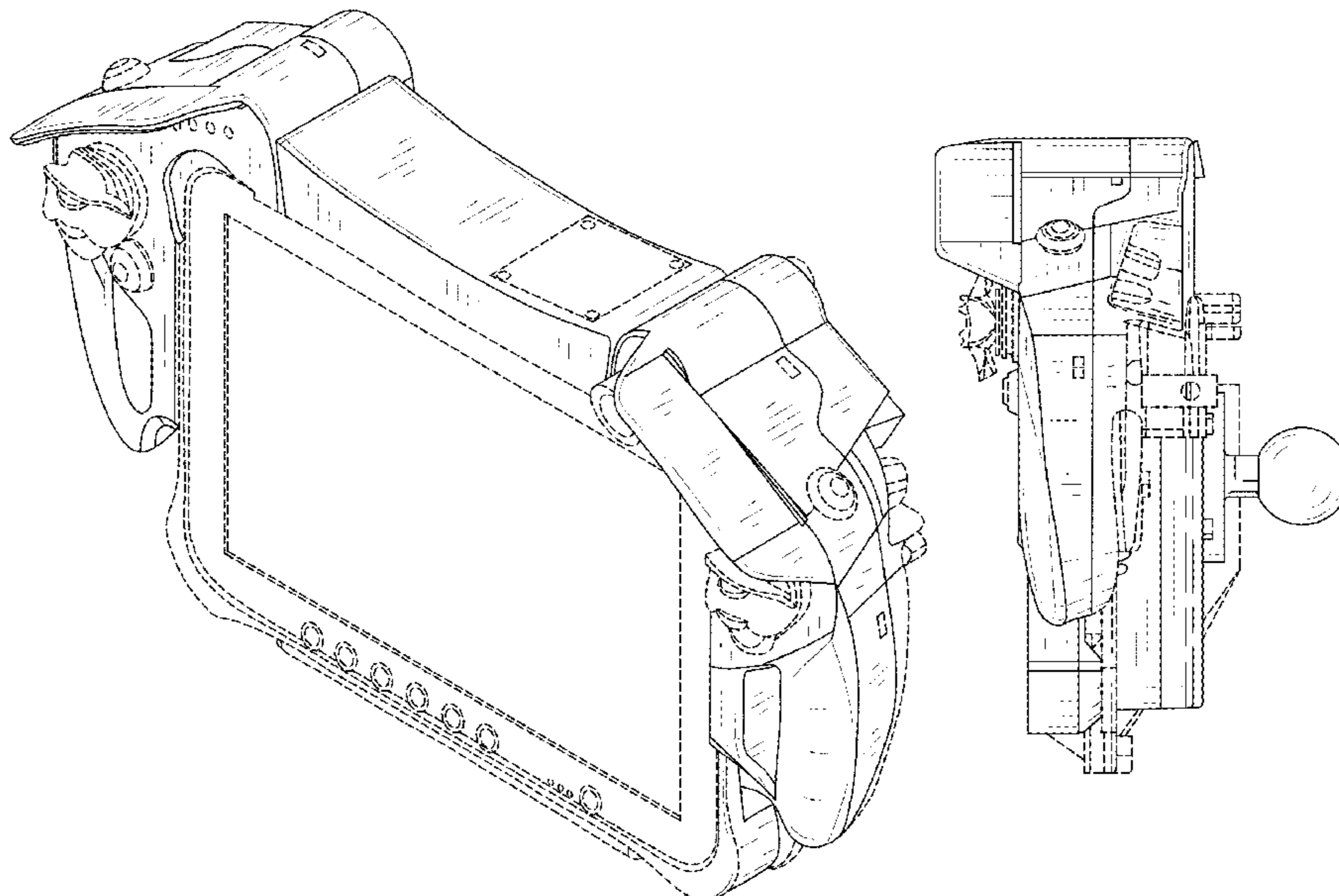
(57) **CLAIM**

The ornamental design for a remote control, as shown and described.

DESCRIPTION

FIG. 1 is a top right front perspective view of an embodiment of a remote control showing my new design;
FIG. 2 is a front view thereof;
FIG. 3 is a rear view thereof;
FIG. 4 is a top view thereof;
FIG. 5 is a bottom view thereof;
FIG. 6 is a right side view thereof;
FIG. 7 is a left side view thereof;
FIG. 8 is a top right front perspective view of another embodiment of a remote control showing my new design;
FIG. 9 is a front view of the embodiment of FIG. 8;
FIG. 10 is a rear view thereof;
FIG. 11 is a top view thereof;
FIG. 12 is a bottom view thereof;
FIG. 13 is a right side view thereof; and,
FIG. 14 is a left side view thereof.
The ornamental design which is claimed is shown in solid lines in the drawings. The broken lines in the drawings form no part of the claimed design.

1 Claim, 14 Drawing Sheets



(56)

References Cited

U.S. PATENT DOCUMENTS

2020/0223671 A1* 7/2020 Bergmayr H04W 4/40
2020/0393827 A1* 12/2020 Hayashi B66C 13/46

OTHER PUBLICATIONS

Puma Industrial Remote Control; searched on Jan. 13, 2021; 2 pgs.;
<https://www.tele-radio.com/products/puma/>.*
Screen shots of product publicly available prior to Feb. 15, 2019.

* cited by examiner

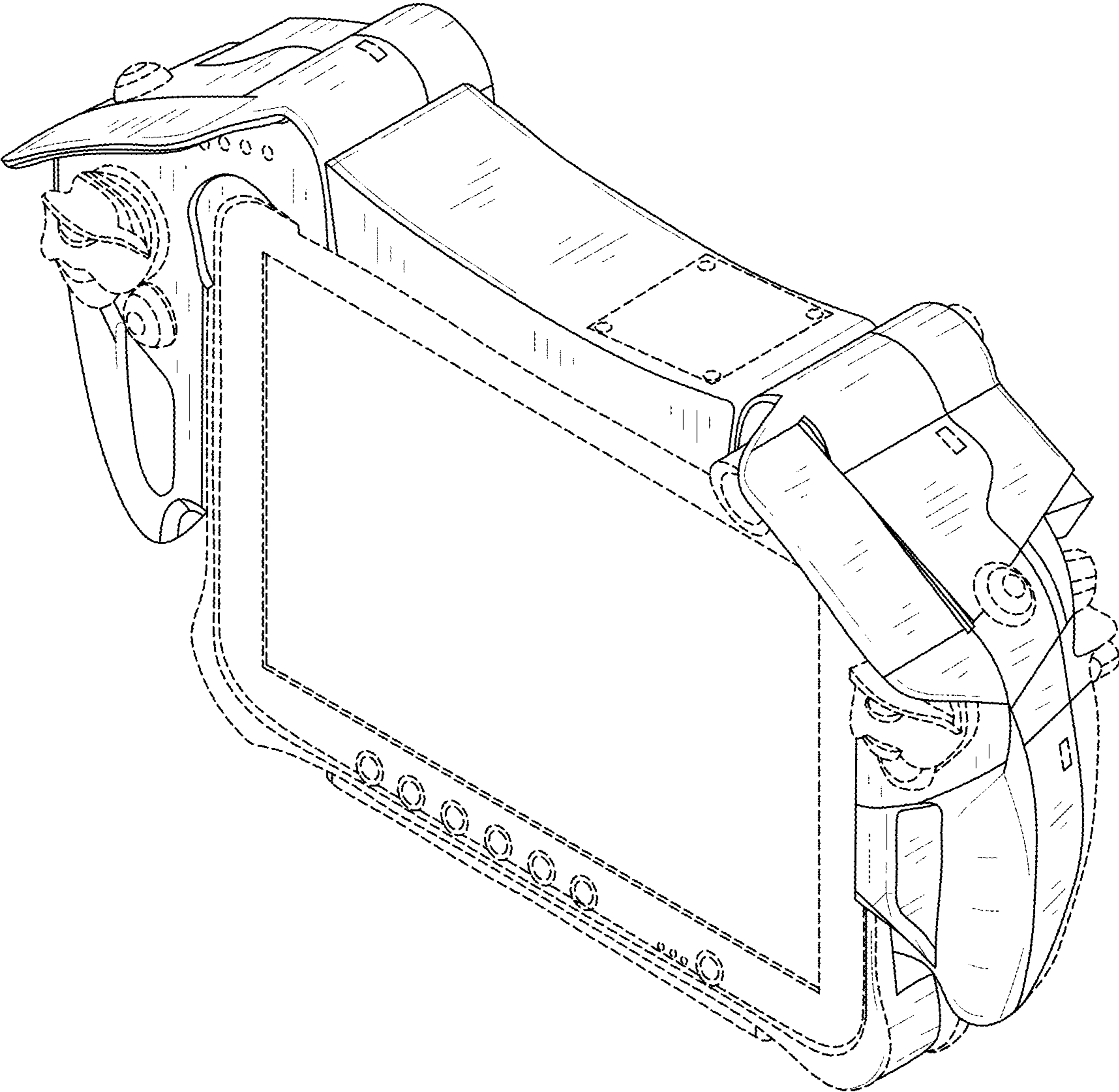


Fig. 1

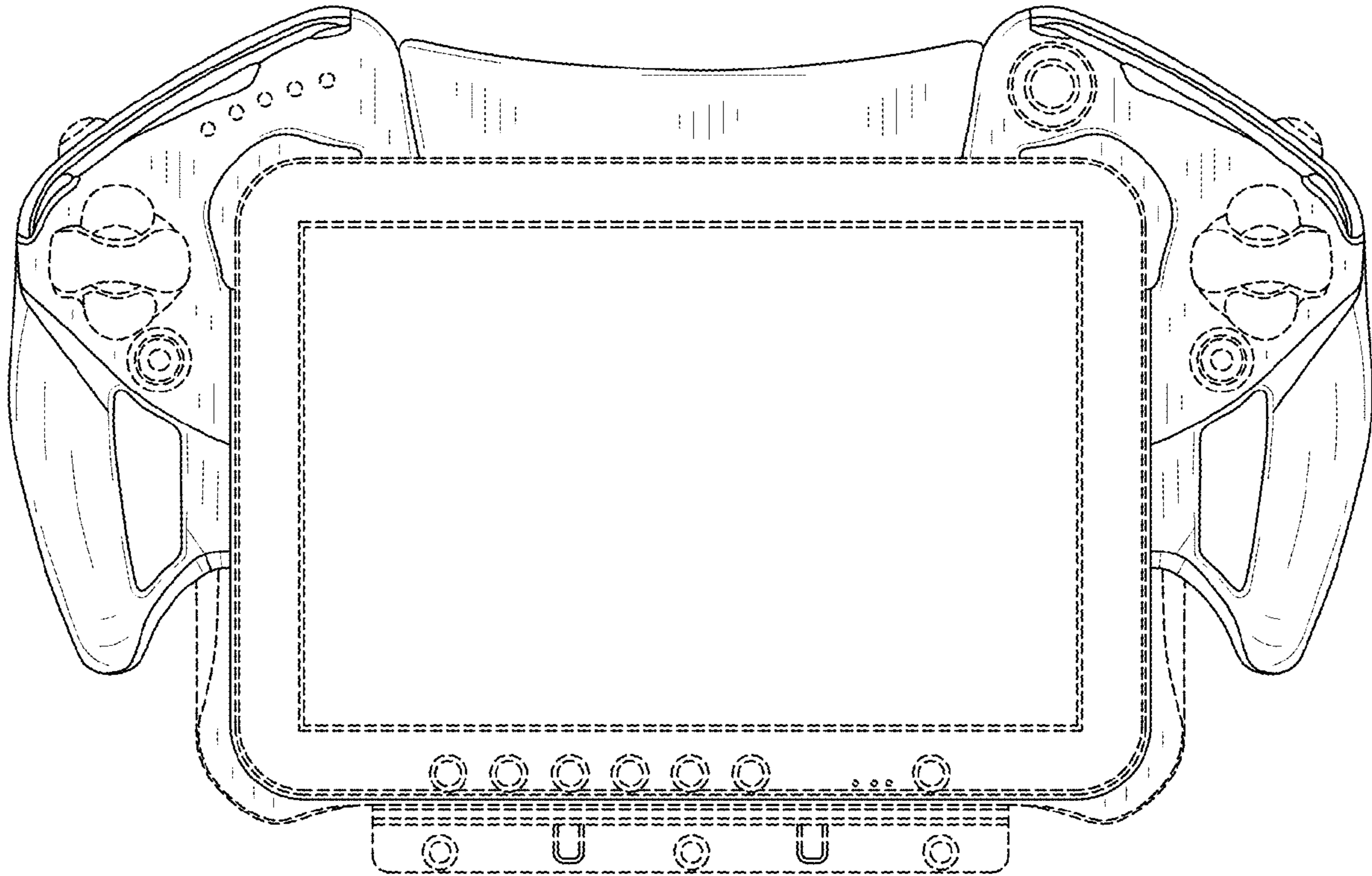


Fig. 2

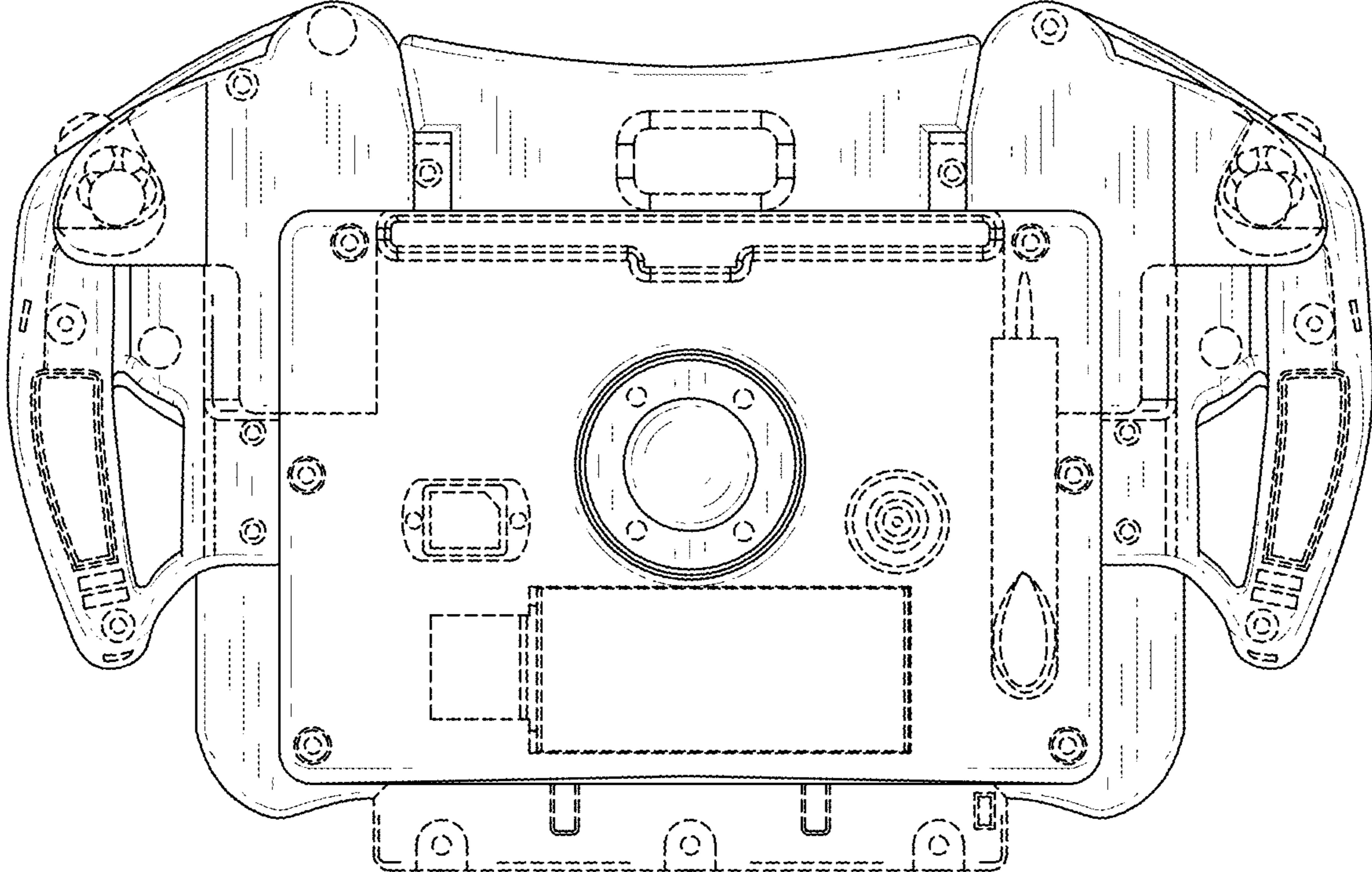


Fig. 3

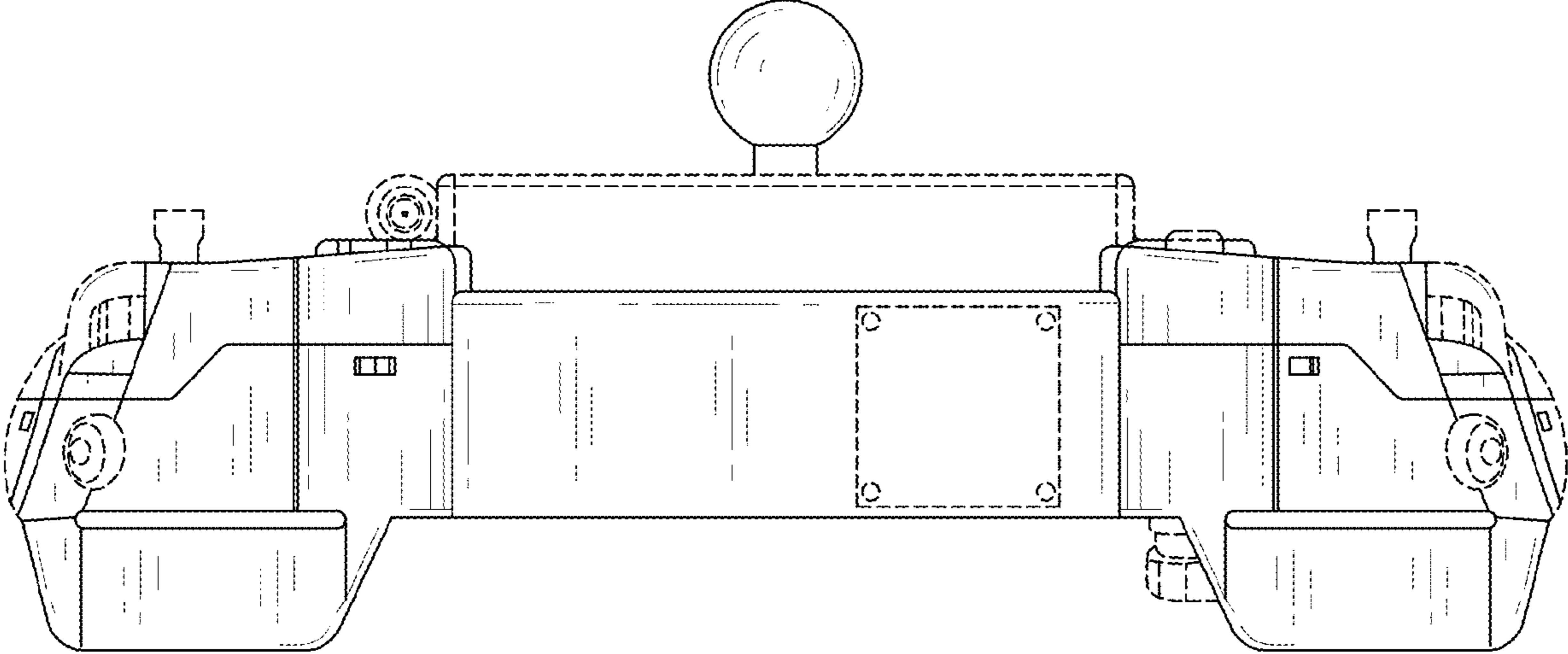


Fig. 4

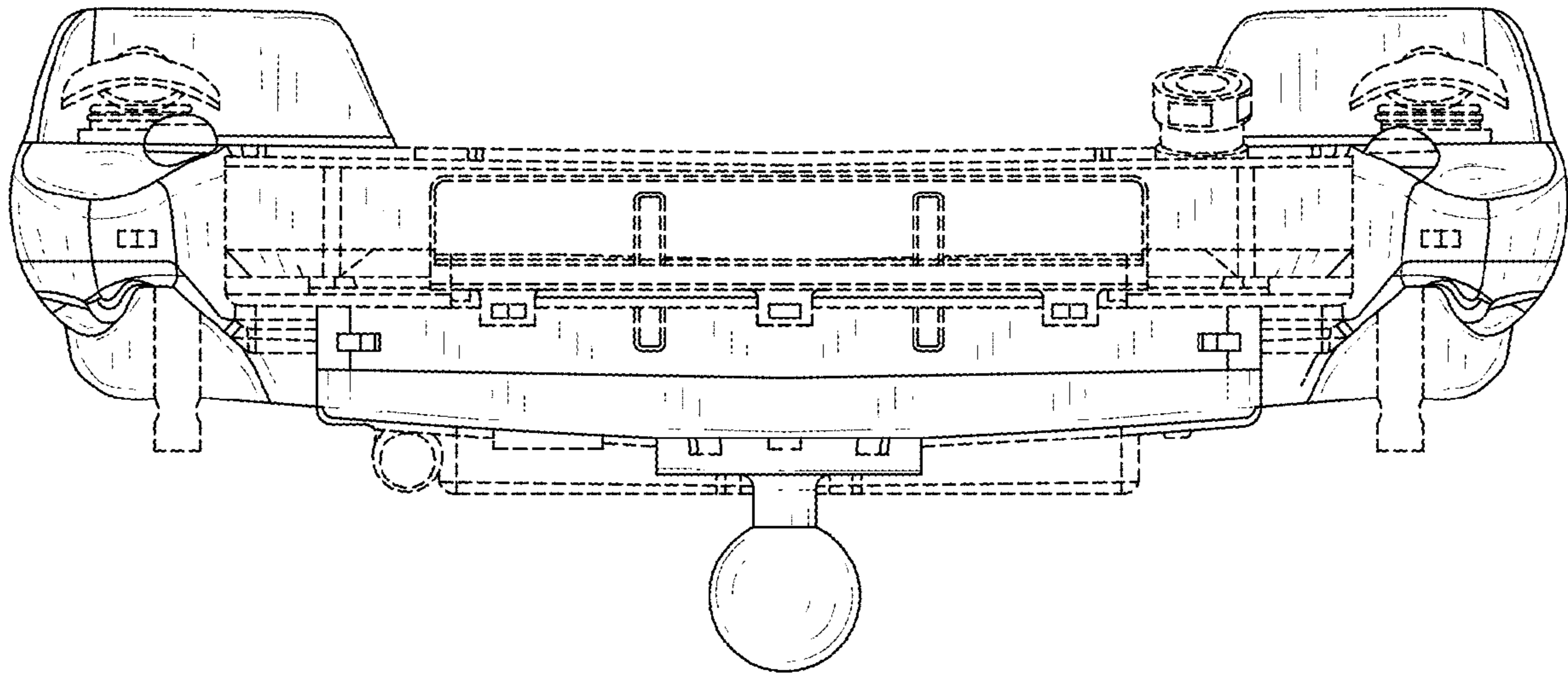


Fig. 5

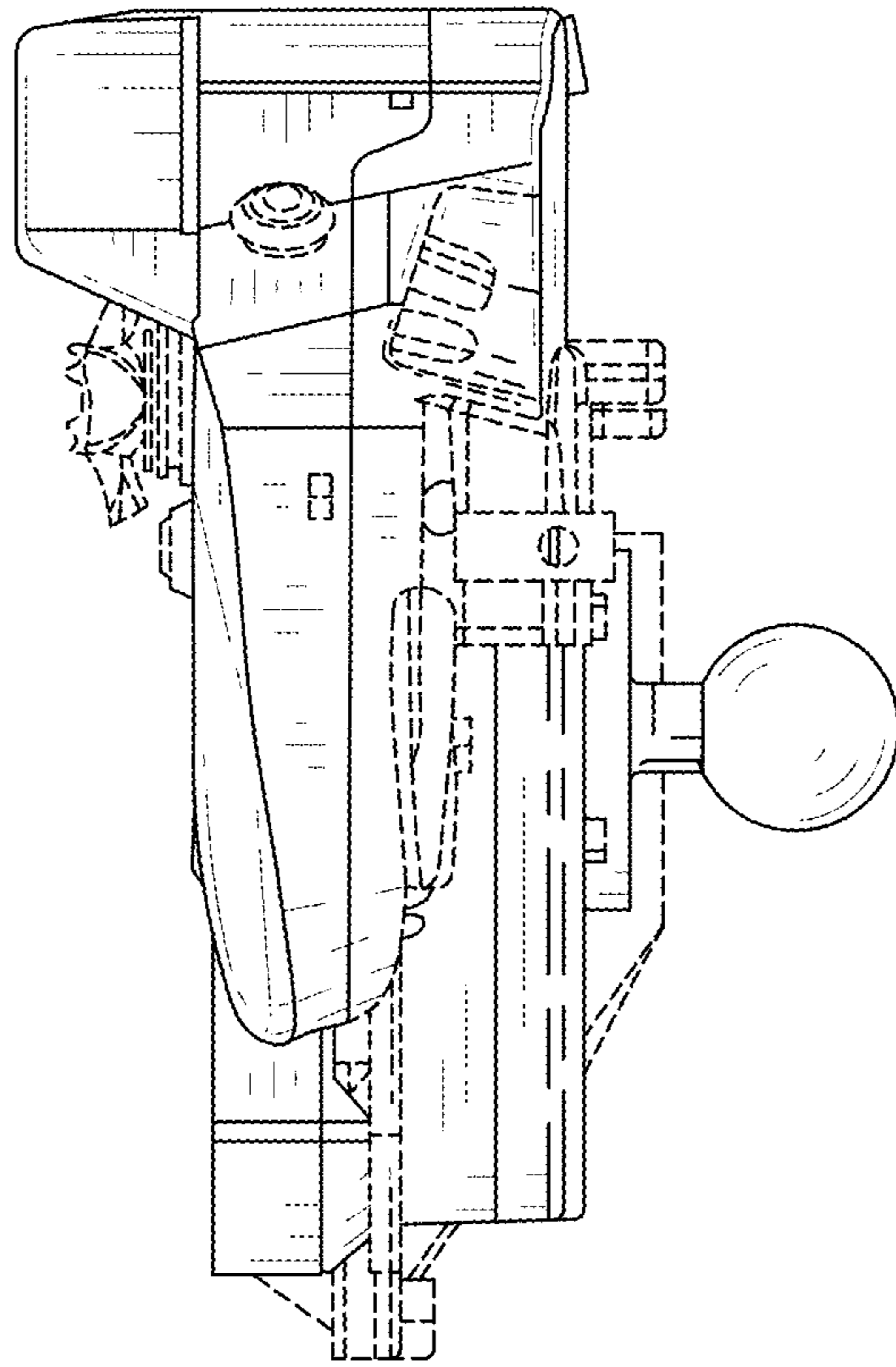


Fig. 6

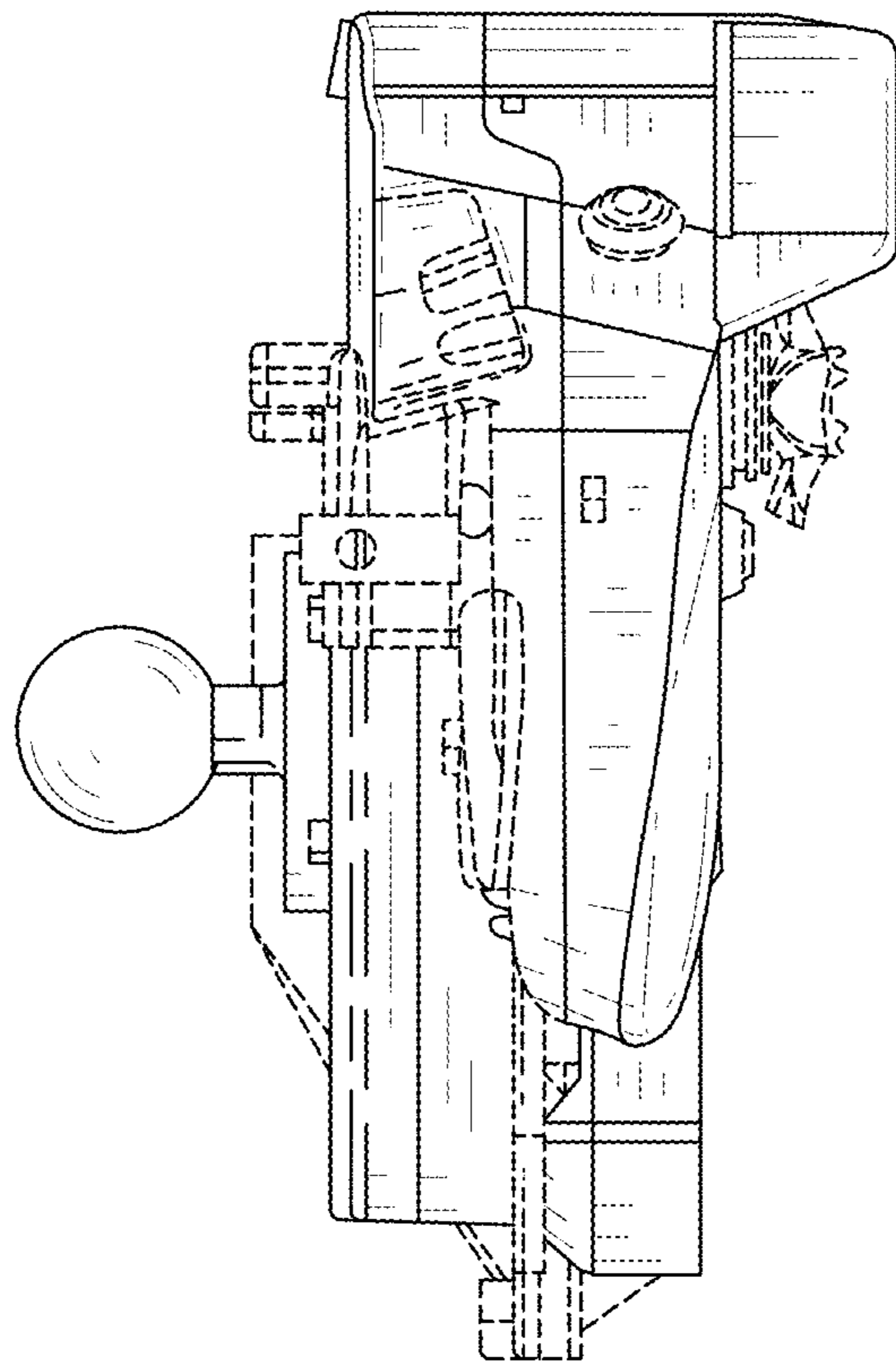


Fig. 7

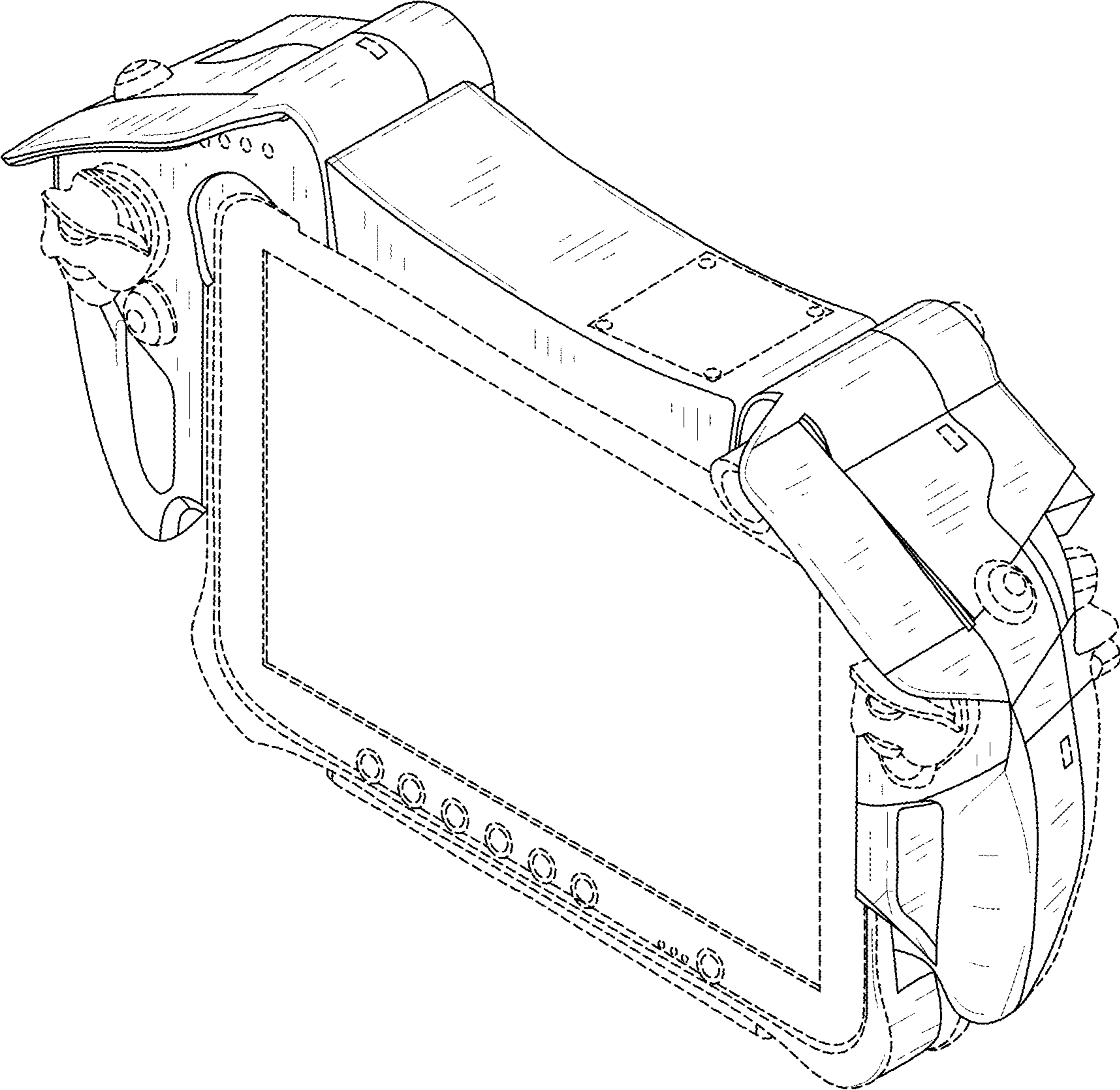


Fig. 8

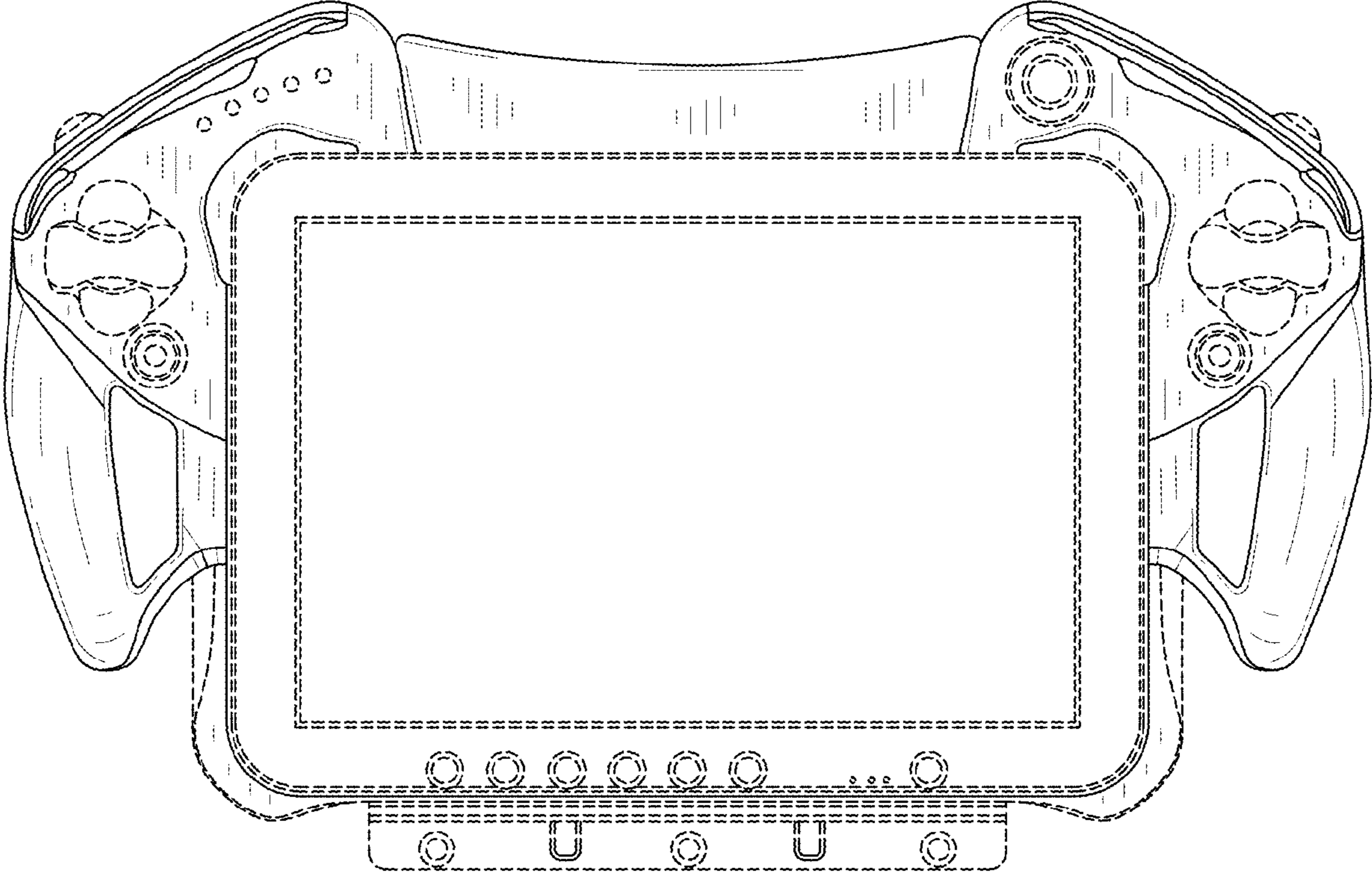


Fig. 9

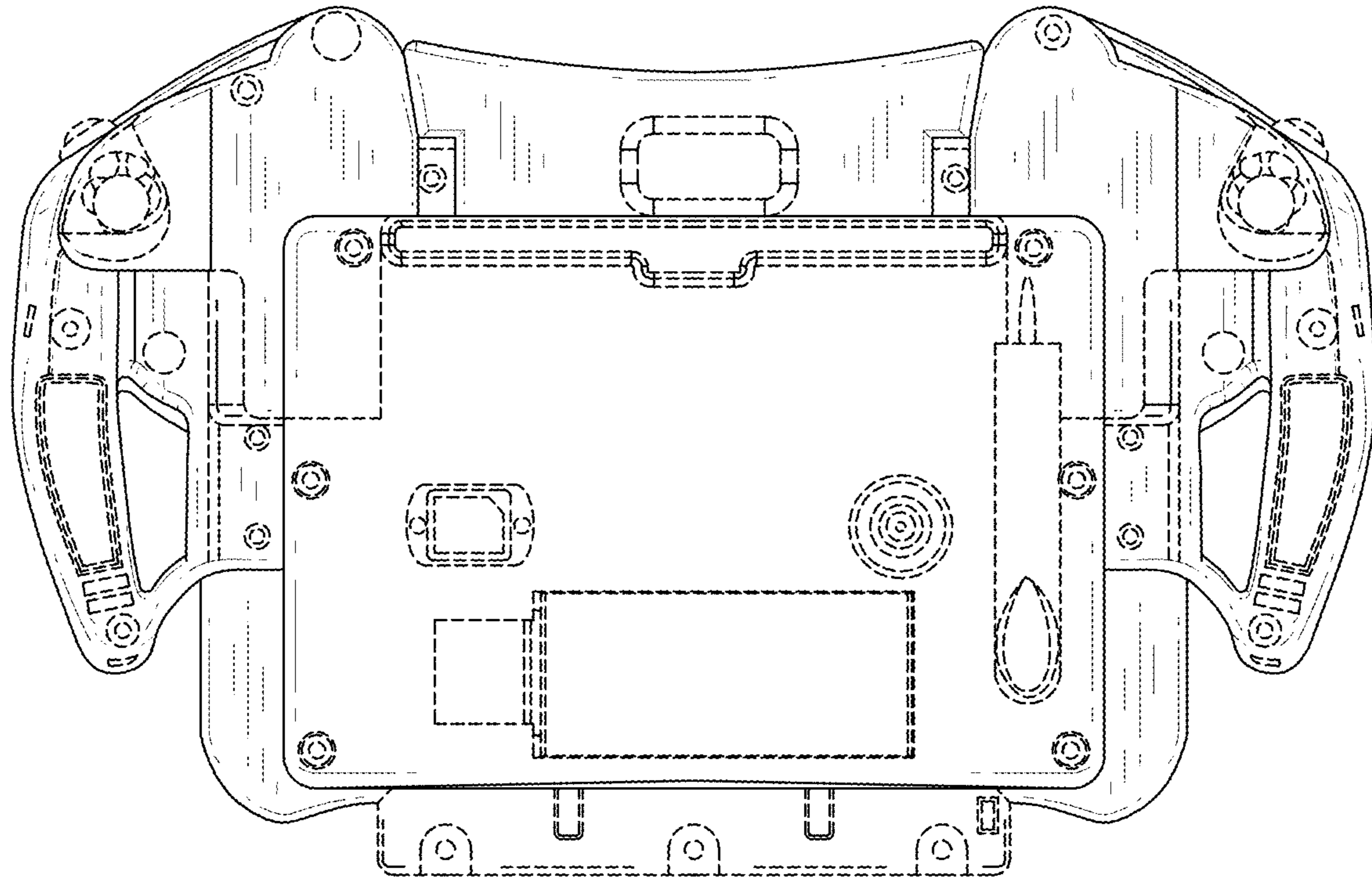


Fig. 10

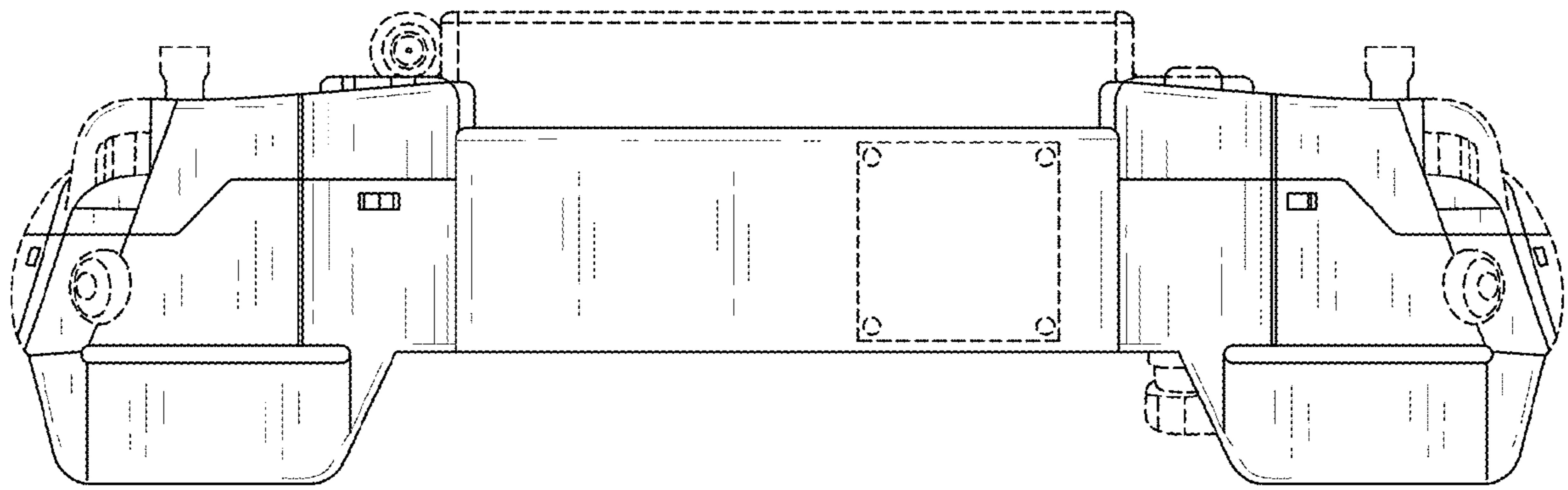


Fig. 11

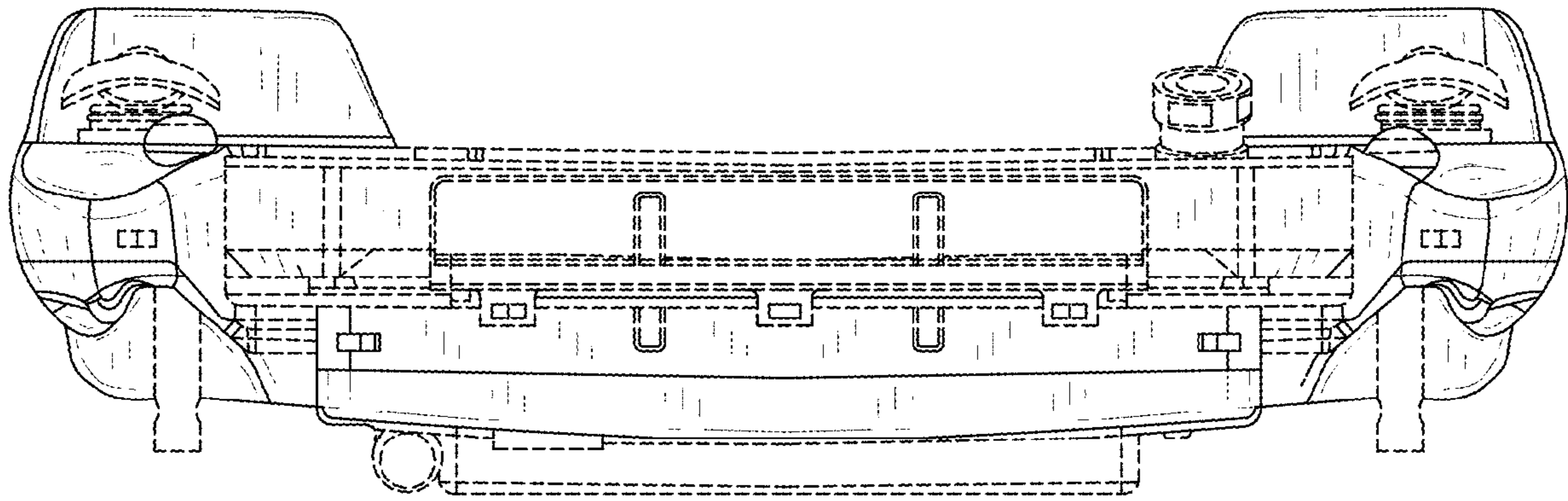


Fig. 12

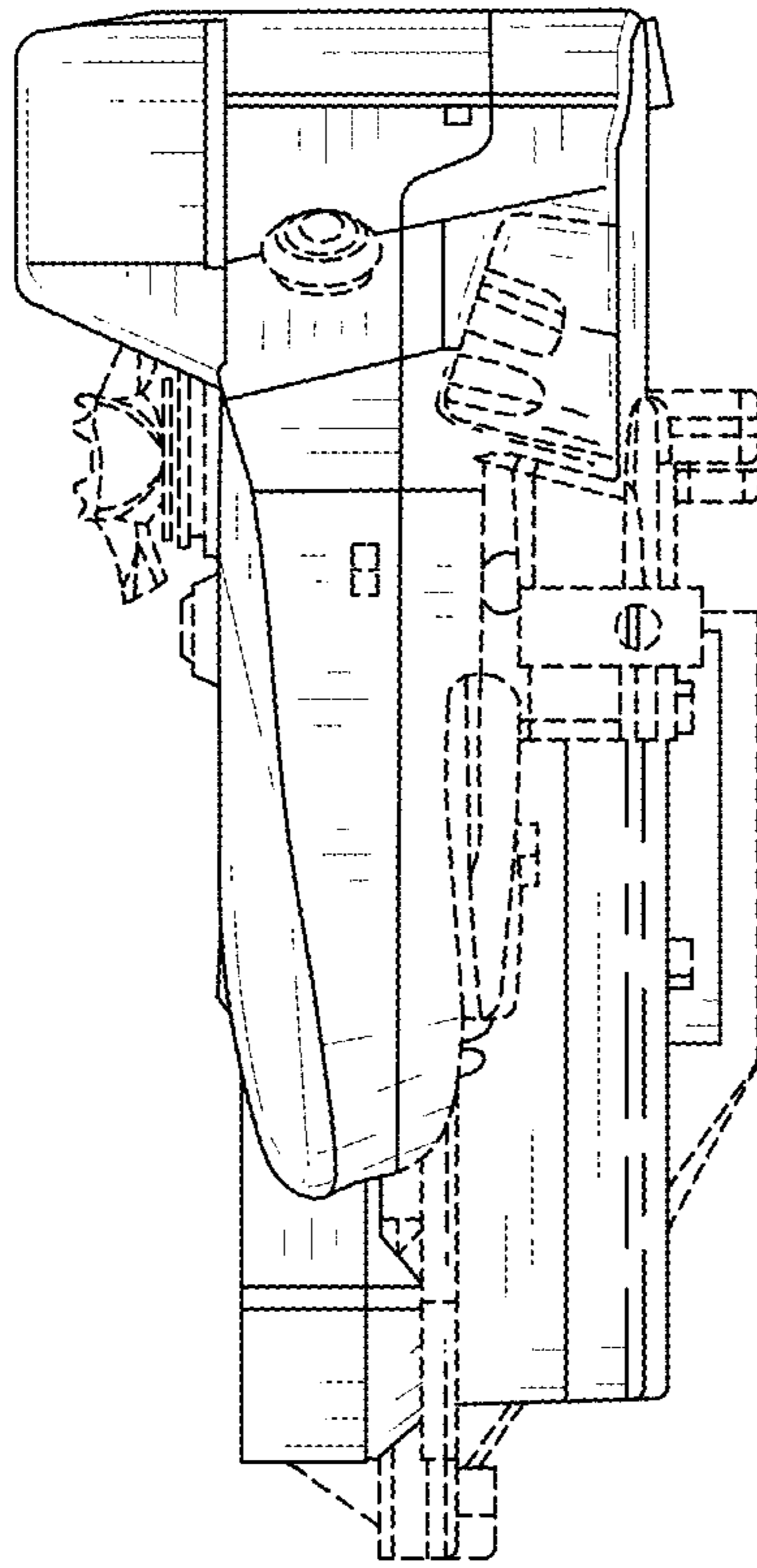


Fig. 13

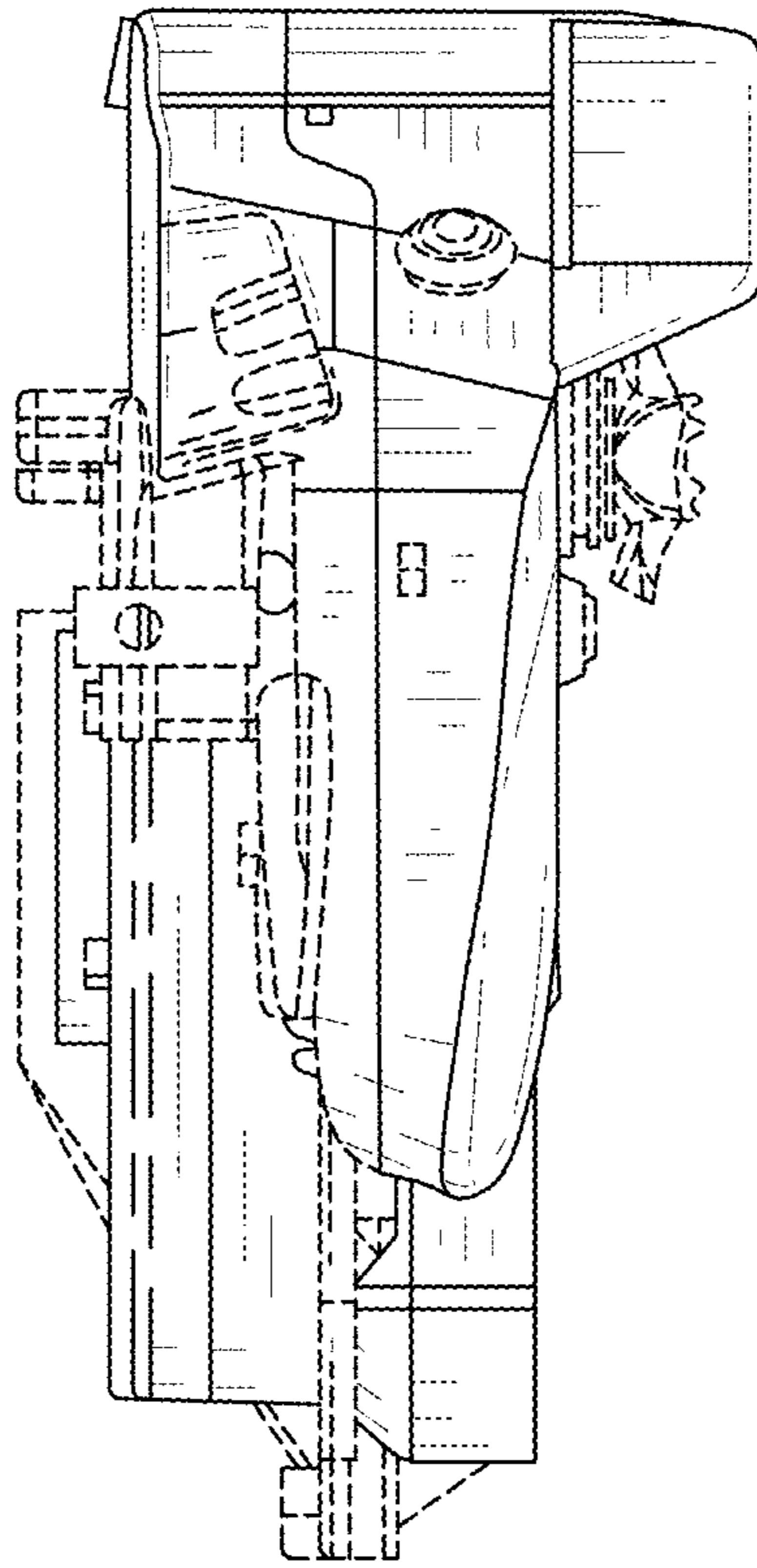


Fig. 14