

US00D967037S

(12) **United States Design Patent**  
**Oldham, Jr. et al.**

(10) **Patent No.:** **US D967,037 S**

(45) **Date of Patent:** **\*\* Oct. 18, 2022**

(54) **SURGE PROTECTOR APPARATUS**

(71) Applicant: **Southwire Company, LLC**, Carrollton, GA (US)

(72) Inventors: **Donald Paul Oldham, Jr.**, Trinity, FL (US); **Hamze Moussa**, Palm Harbor, FL (US); **Peter Czerner**, Carrollton, GA (US)

(73) Assignee: **SOUTHWIRE COMPANY, LLC**, Carrollton, GA (US)

(\*\*) Term: **15 Years**

(21) Appl. No.: **29/664,981**

(22) Filed: **Sep. 28, 2018**

(51) **LOC (13) Cl.** ..... **13-03**

(52) **U.S. Cl.**  
USPC ..... **D13/160**

(58) **Field of Classification Search**  
USPC ..... D13/107, 118–120, 123, 133, 146, 147, D13/158–160, 173, 177, 184, 199, 137.2, D13/138.1, 138.2, 139.6  
CPC ..... H01R 3/10; H01R 13/00; H01R 13/05; H01R 13/6335; H01R 13/684; H01H 85/04; H01H 85/20; H02H 9/00; H02H 9/04

See application file for complete search history.

(56) **References Cited**

**U.S. PATENT DOCUMENTS**

D519,937 S *	5/2006	Laurent	.....	D13/160
D520,961 S *	5/2006	Laurent	.....	D13/160
D521,457 S *	5/2006	Laurent	.....	D13/160
7,052,309 B1 *	5/2006	Chen	.....	H01R 13/6335 439/484
7,556,524 B2 *	7/2009	Kuo	.....	H01R 13/6335 439/484
8,641,443 B1 *	2/2014	Moussa	.....	H01R 13/6335 439/484
2010/0165530 A1 *	7/2010	Lee	.....	H01R 13/6633 361/91.2

(Continued)

**OTHER PUBLICATIONS**

Surge Guard 34950 Total Electrical Protection System, dated Mar. 13, 2018, [online], [site visited Sep. 11, 2021]. Available from Internet, URL: [https://www.youtube.com/watch?v=iLPdaz7\\_neU](https://www.youtube.com/watch?v=iLPdaz7_neU) (Year: 2018).\*

(Continued)

*Primary Examiner* — Shawn T Gingrich

(74) *Attorney, Agent, or Firm* — Alston & Bird LLP

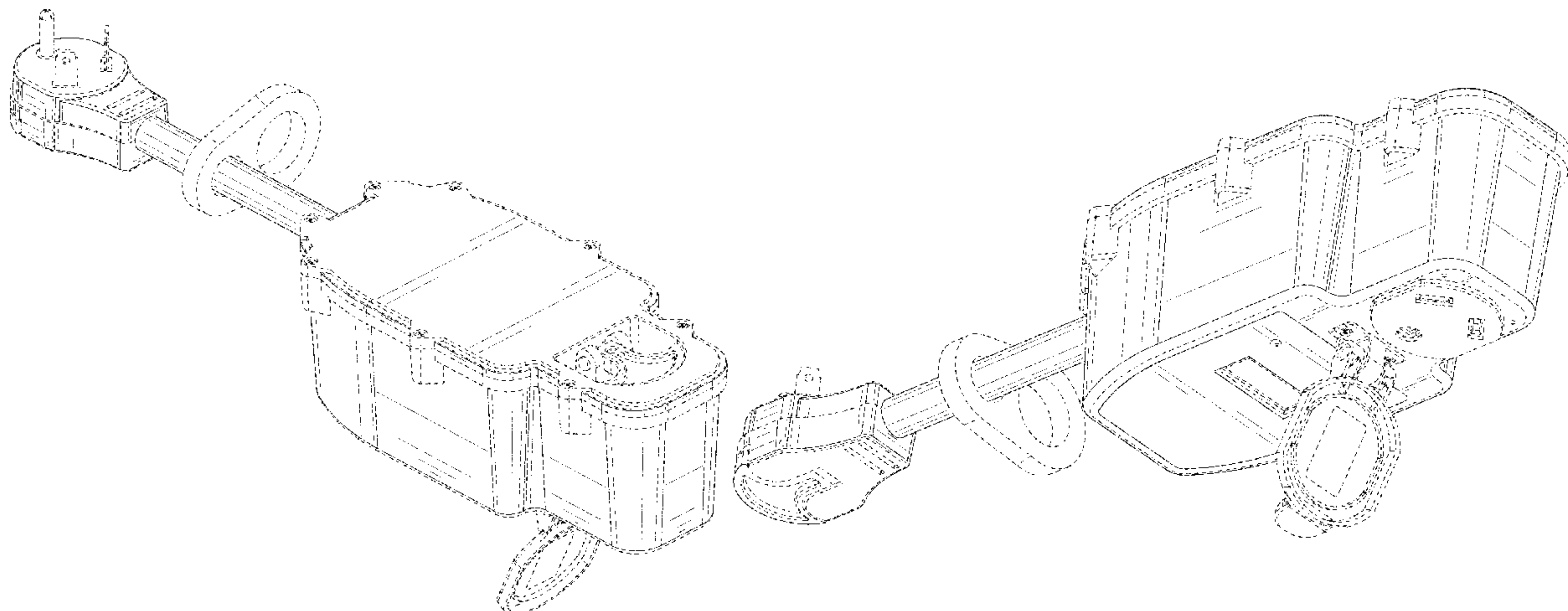
(57) **CLAIM**

We claim the ornamental design for a surge protector apparatus, as shown and described.

**DESCRIPTION**

FIG. 1 is a perspective view of a first embodiment of a surge protector apparatus showing our new design; FIG. 2 is another perspective view thereof; FIG. 3 is a top plan view thereof; FIG. 4 is a bottom plan view thereof; FIG. 5 is a front elevational view thereof; FIG. 6 is a rear elevational view thereof; FIG. 7 is a left side elevational view thereof; FIG. 8 is a right side elevational view thereof; FIG. 9 is a perspective view of a second embodiment of a surge protector apparatus showing our new design; FIG. 10 is another perspective view thereof; FIG. 11 is a top plan view thereof; FIG. 12 is a bottom plan view thereof; FIG. 13 is a front elevational view thereof; FIG. 14 is a rear elevational view thereof; FIG. 15 is a left side elevational view thereof; and, FIG. 16 is a right side elevational view thereof. The broken line portion of the figure drawings is included to show portions of the article that form no part of the claimed design.

**1 Claim, 16 Drawing Sheets**



(56)

**References Cited**

U.S. PATENT DOCUMENTS

2016/0190793 A1\* 6/2016 Ledbetter ..... H01H 85/20  
361/115

OTHER PUBLICATIONS

Southwire 34930 Surge Guard 30A—Full Protection Portable with LCD Display Black, dated Mar. 23, 2018, [online], [site visited Sep. 11, 2021]. Available from Internet, URL: <https://www.amazon.com/Southwire-34930-30A-Full-Protection-Portable/dp/B07BNVKS9F> (Year: 2018).\*

Surge Guard\* 50A—Model 34950, dated Mar. 29, 2018, [online], [site visited Sep. 11, 2021]. Available from Internet, URL: <https://rvpower.southwire.com/surge-guard-50a-model-34950/> (Year: 2018).\*

RV Surge Protection Is It Worth It?, dated Aug. 23, 2017, [online], [site visited Sep. 11, 2021]. Available from Internet, URL: <https://www.youtube.com/watch?v=LrbBJWNI2l> (Year: 2017).\*

\* cited by examiner

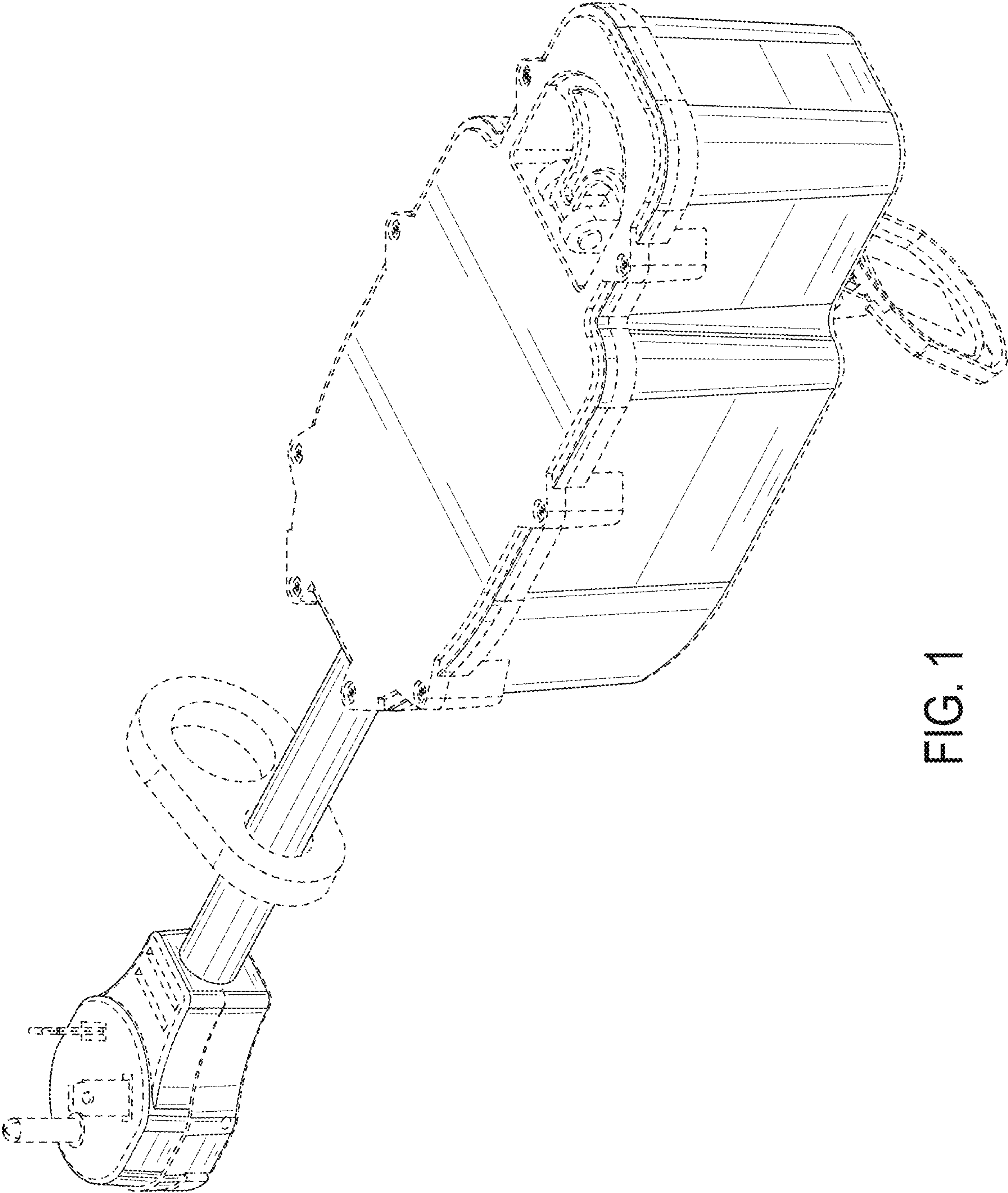


FIG. 1



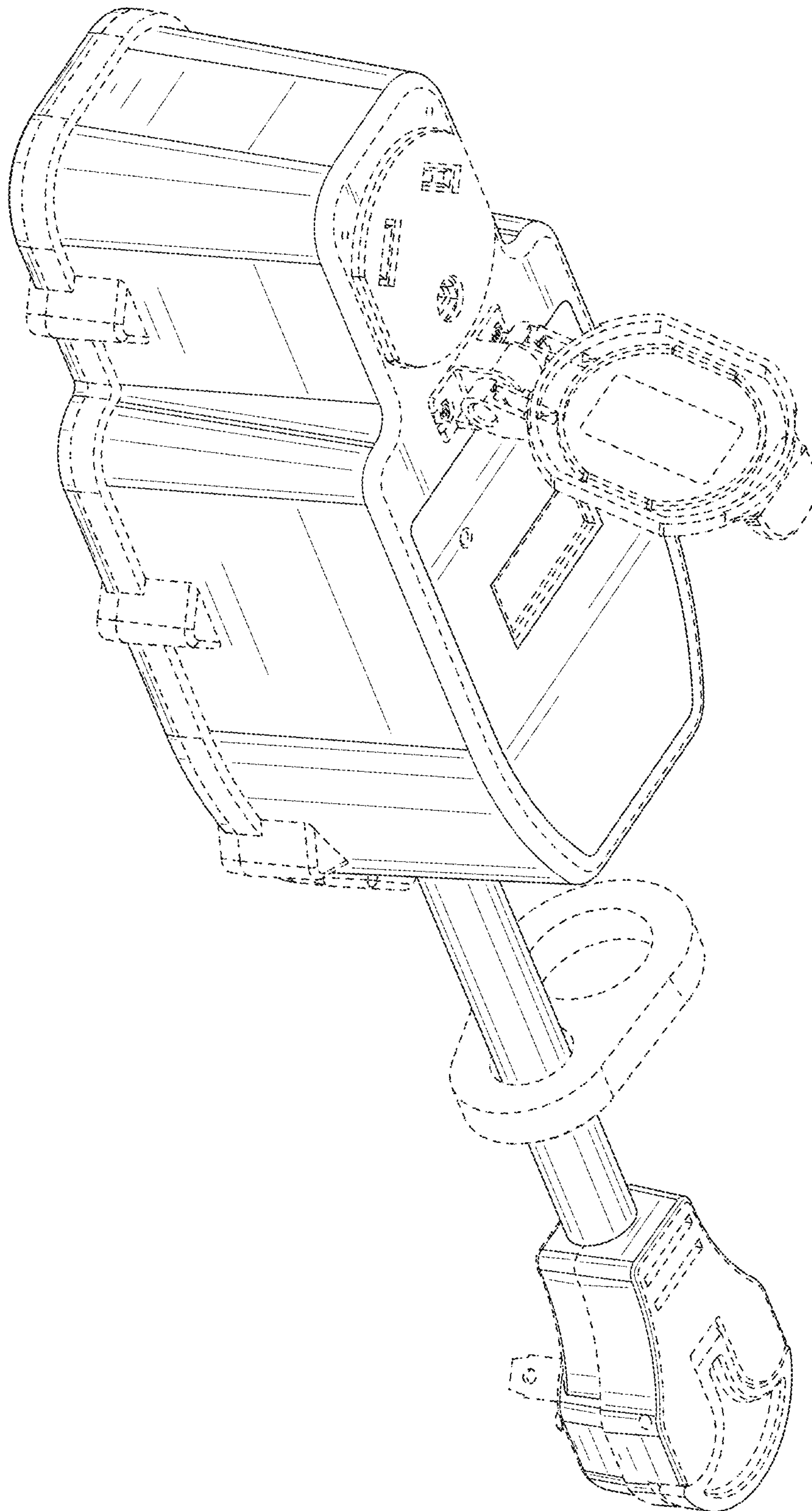


FIG. 2

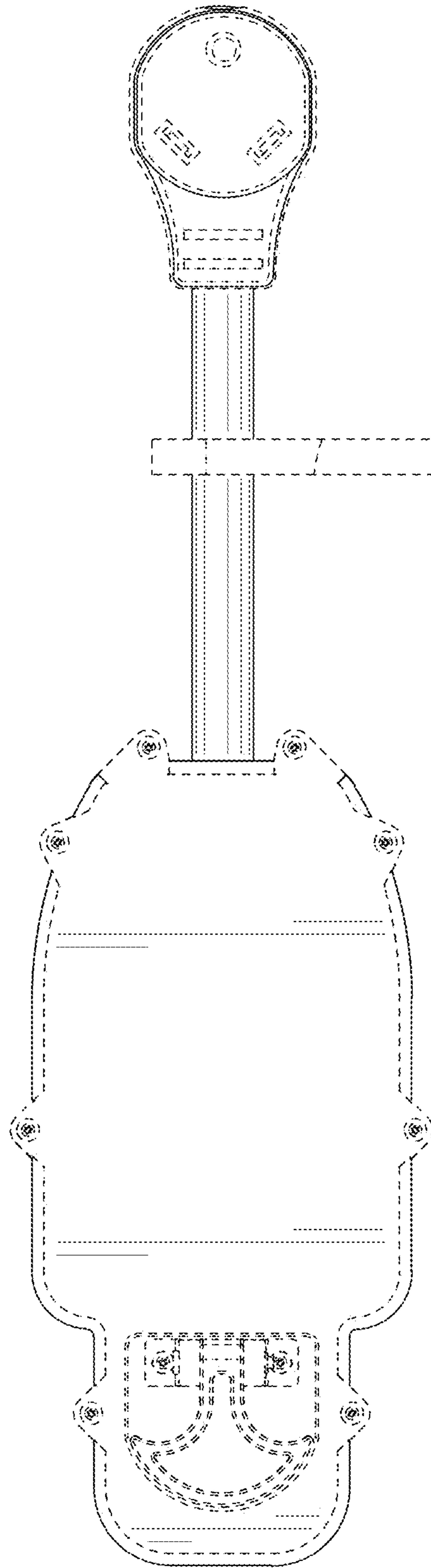


FIG. 3

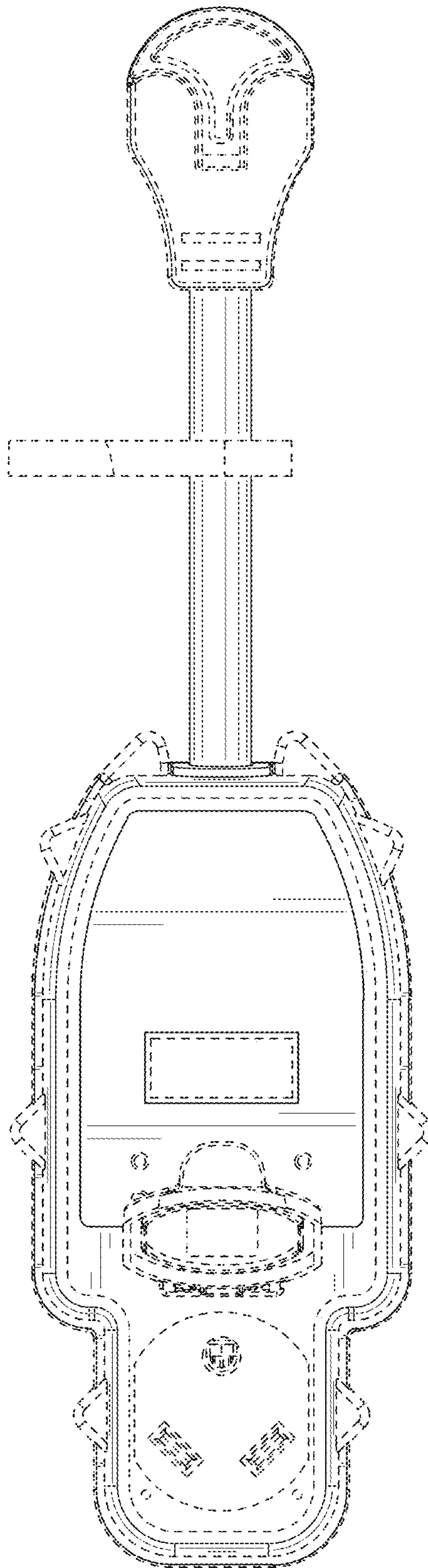


FIG. 4

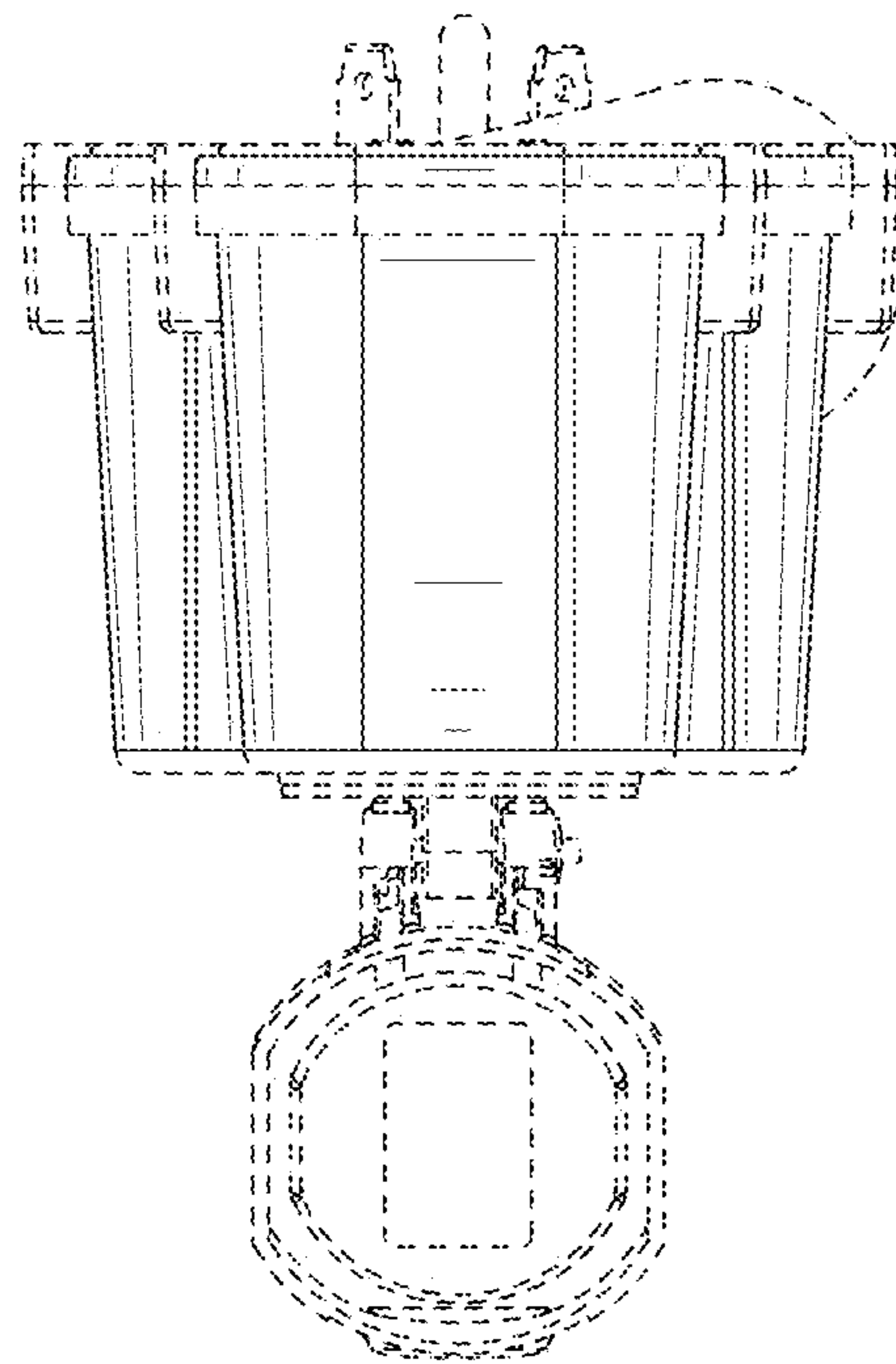


FIG. 5

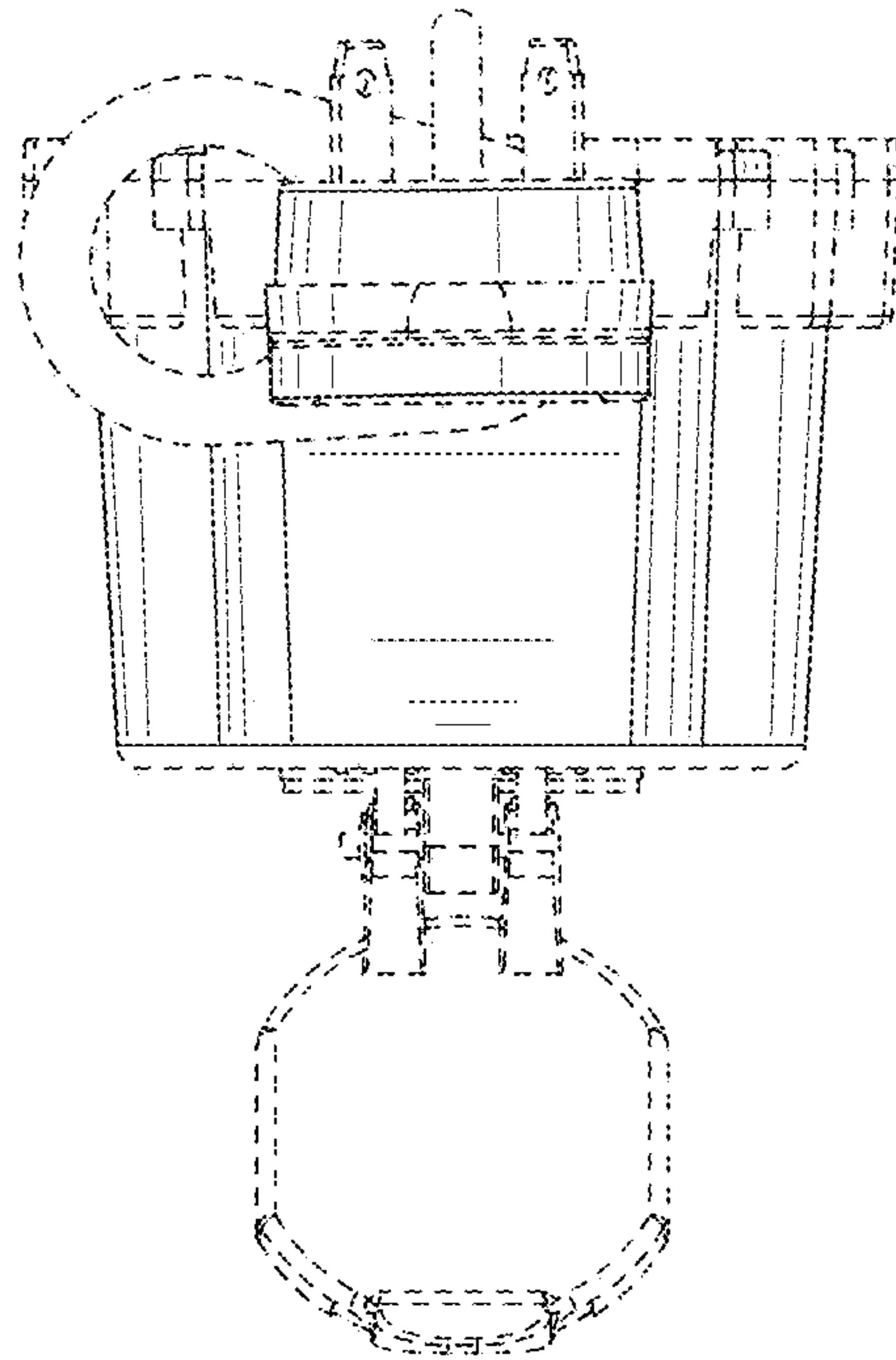


FIG. 6



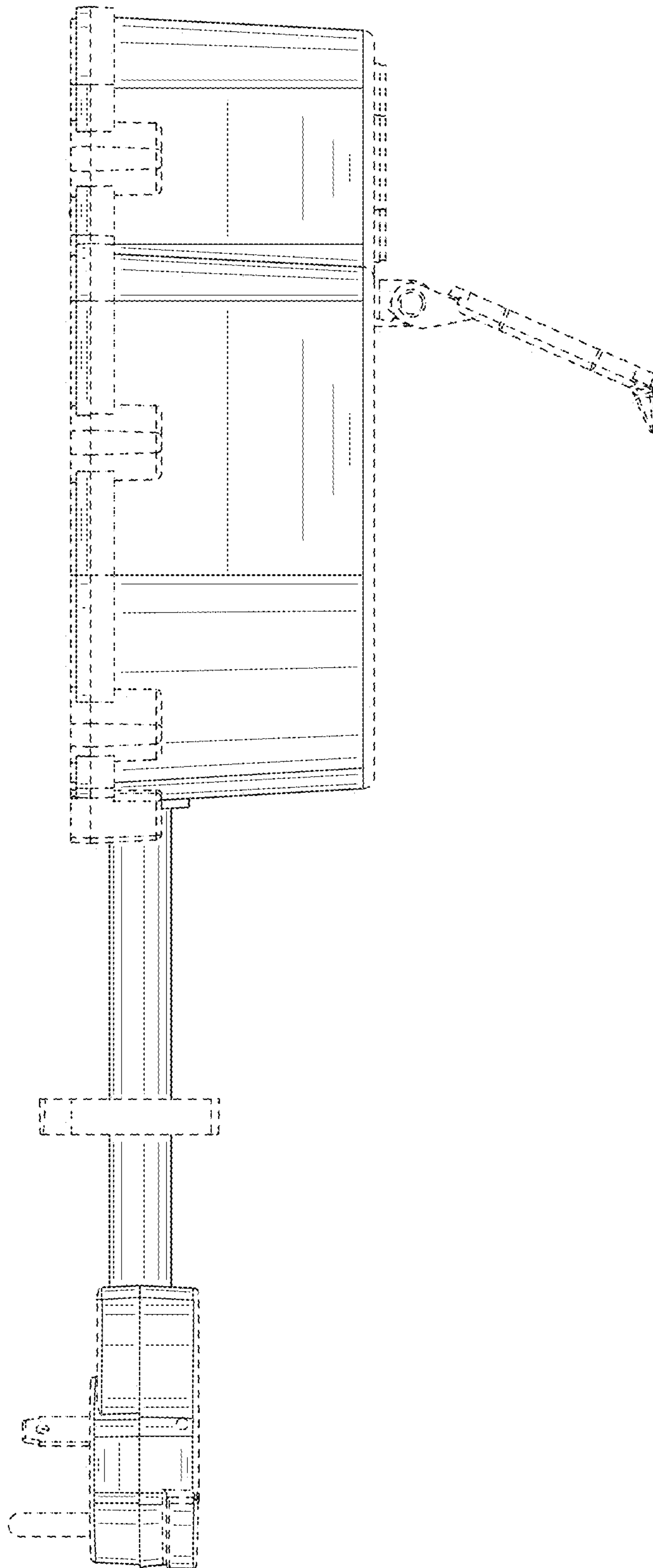


FIG. 7

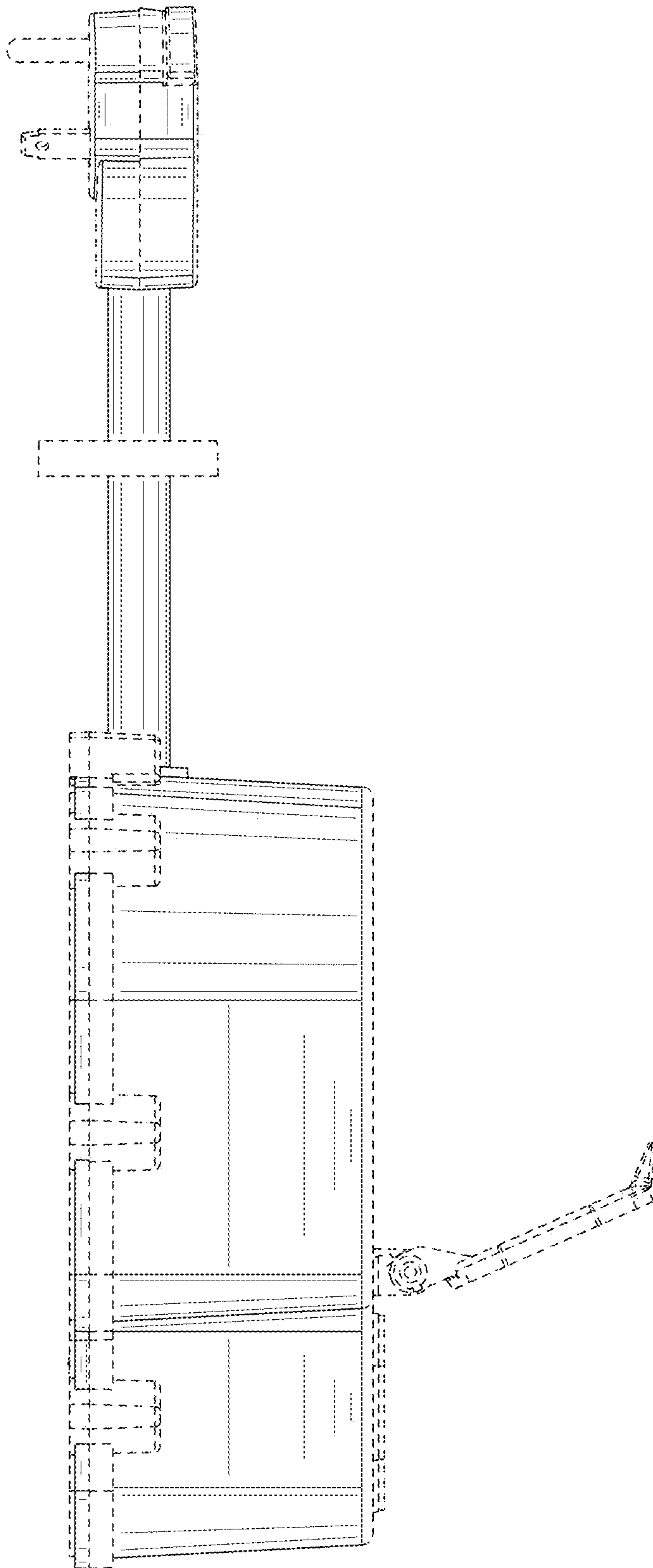


FIG. 8

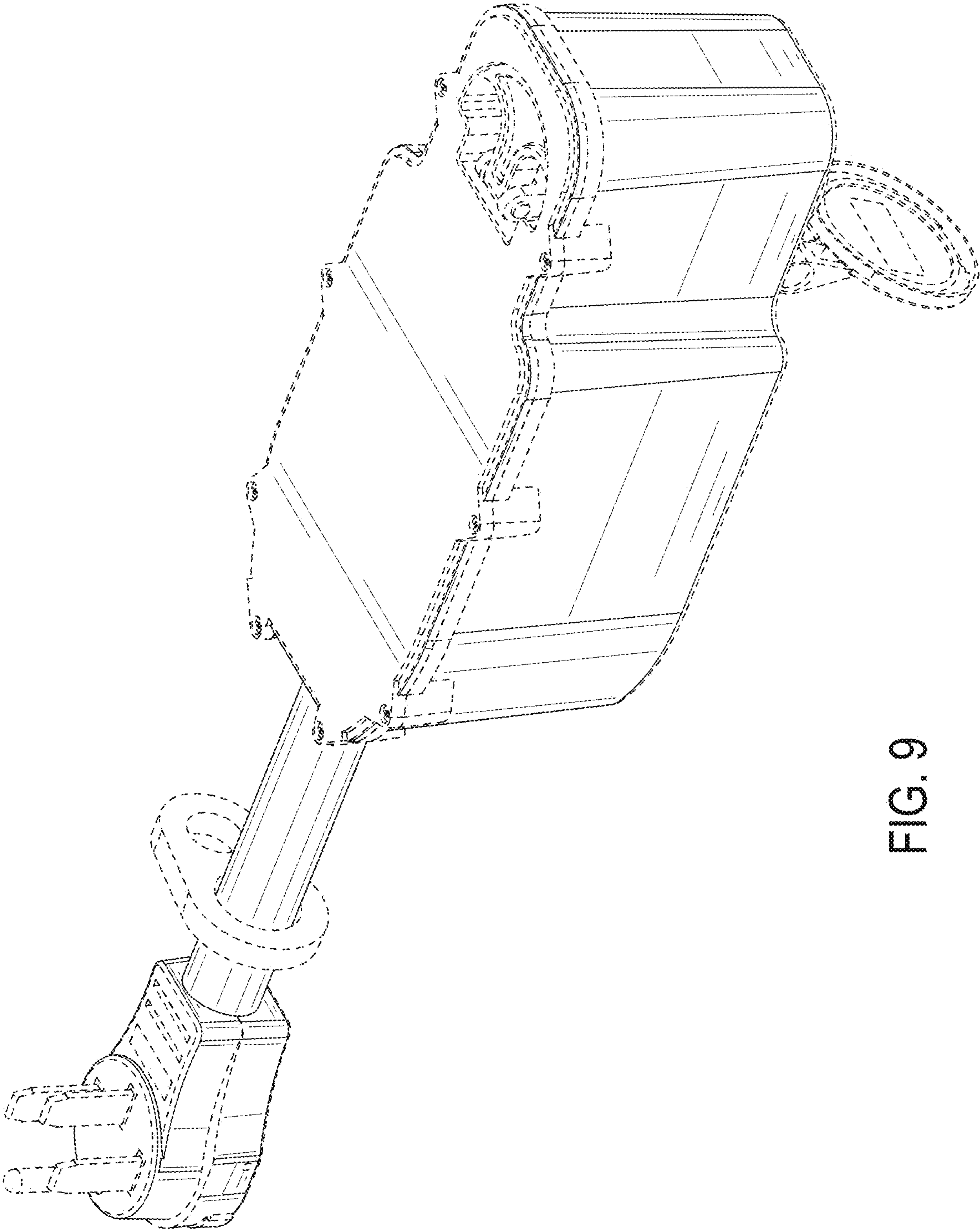


FIG. 9

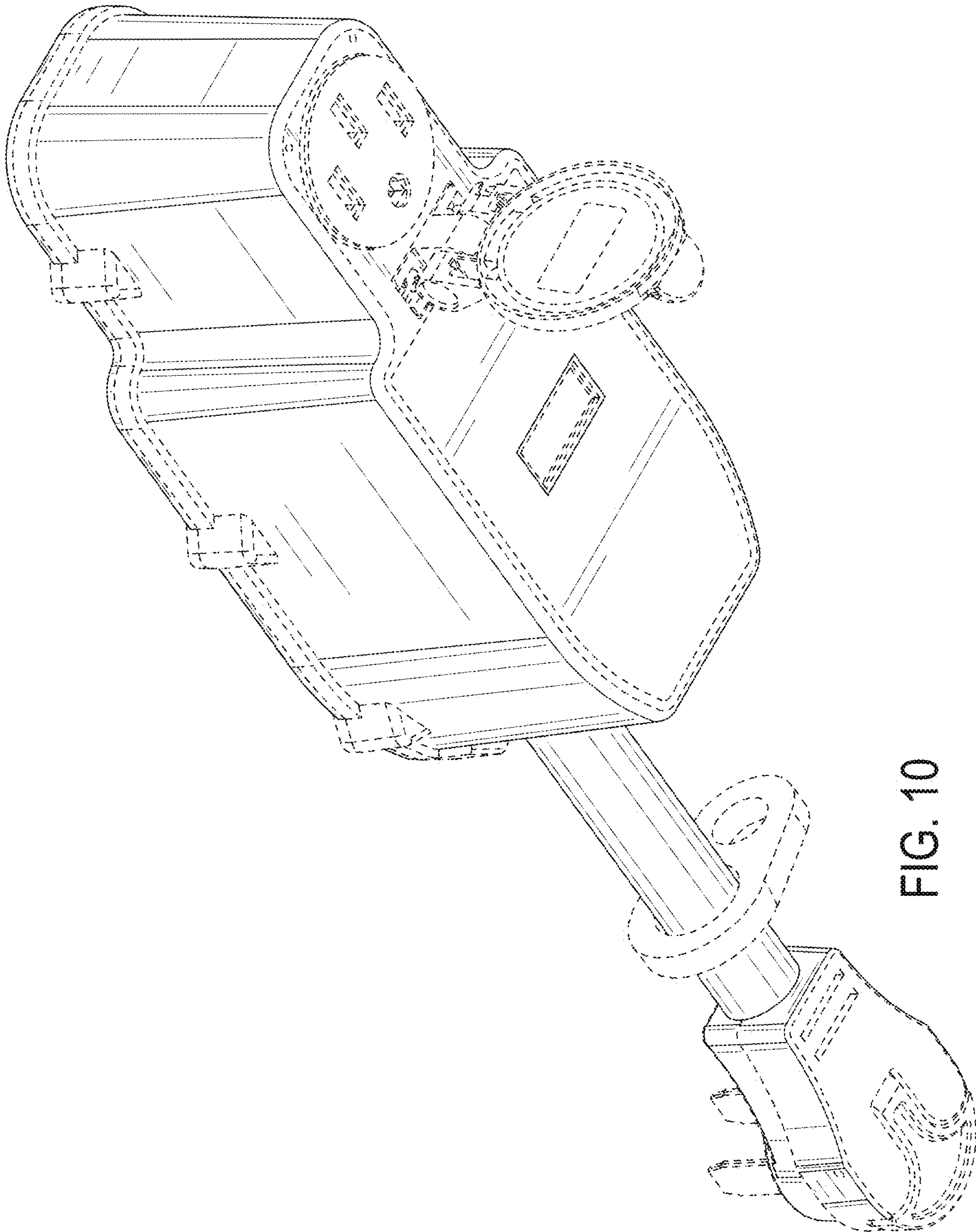


FIG. 10

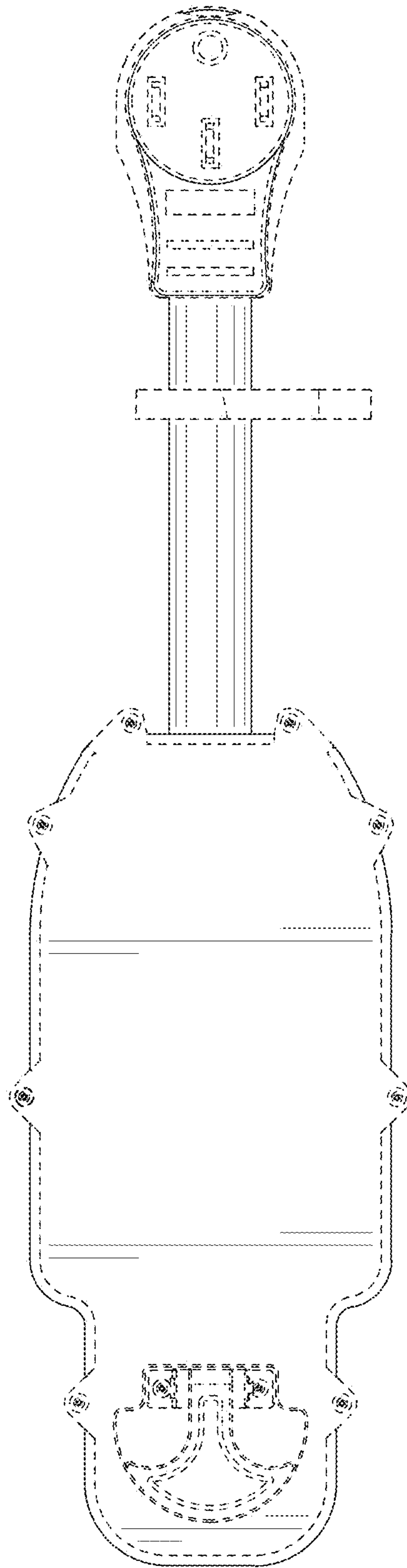


FIG. 11



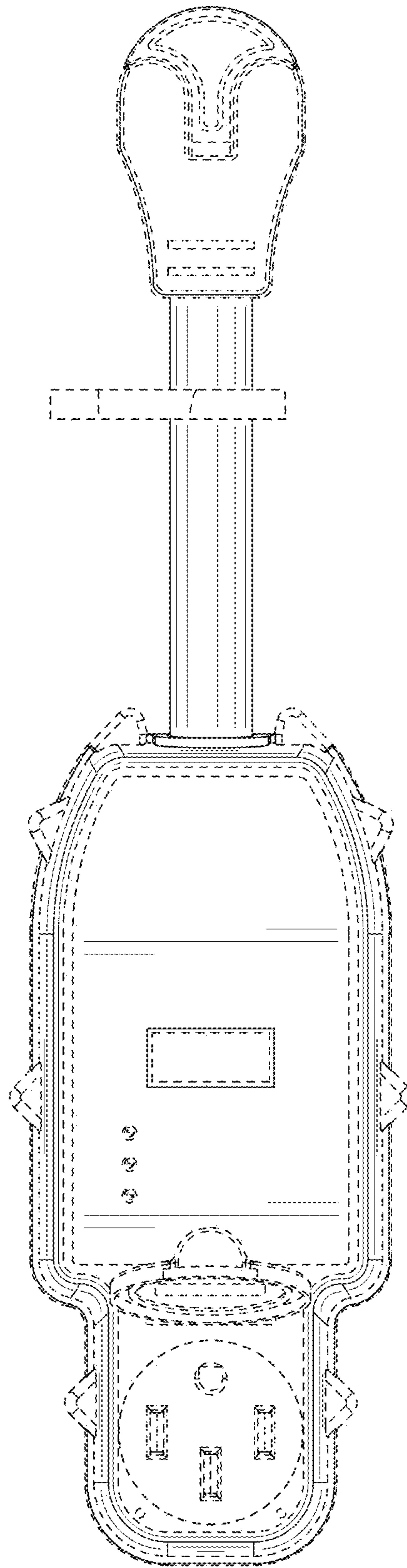


FIG. 12

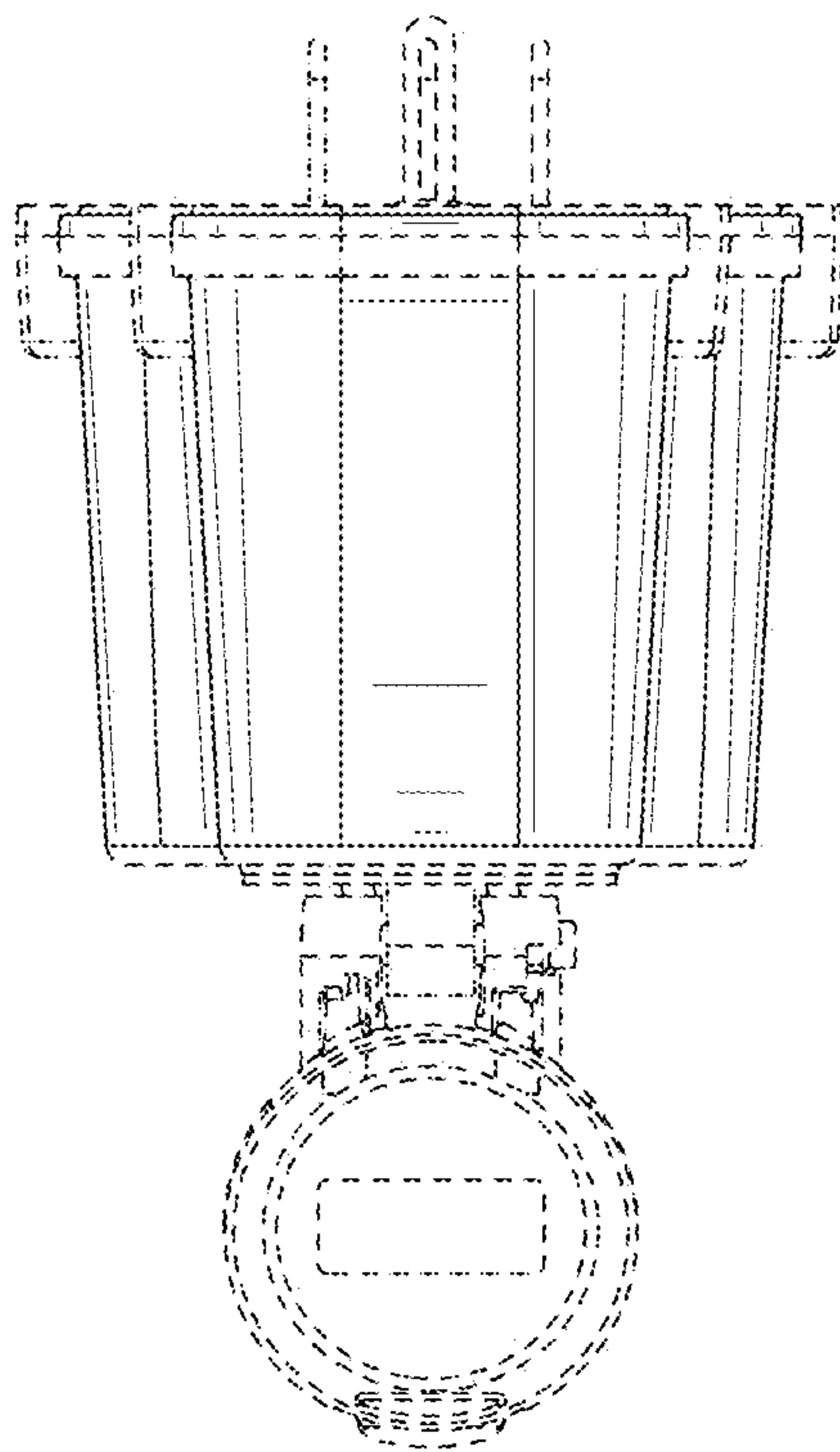


FIG. 13

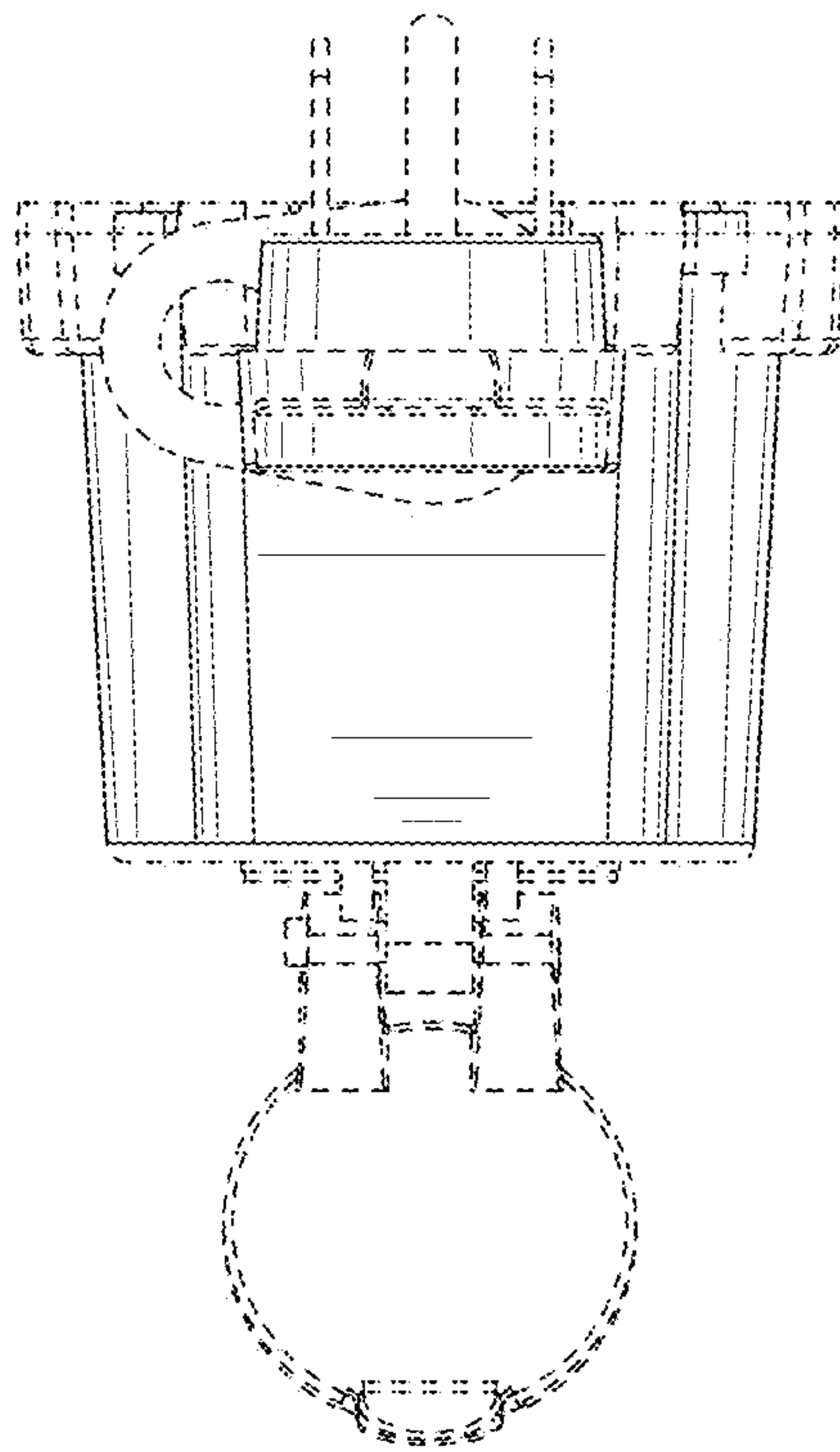


FIG. 14

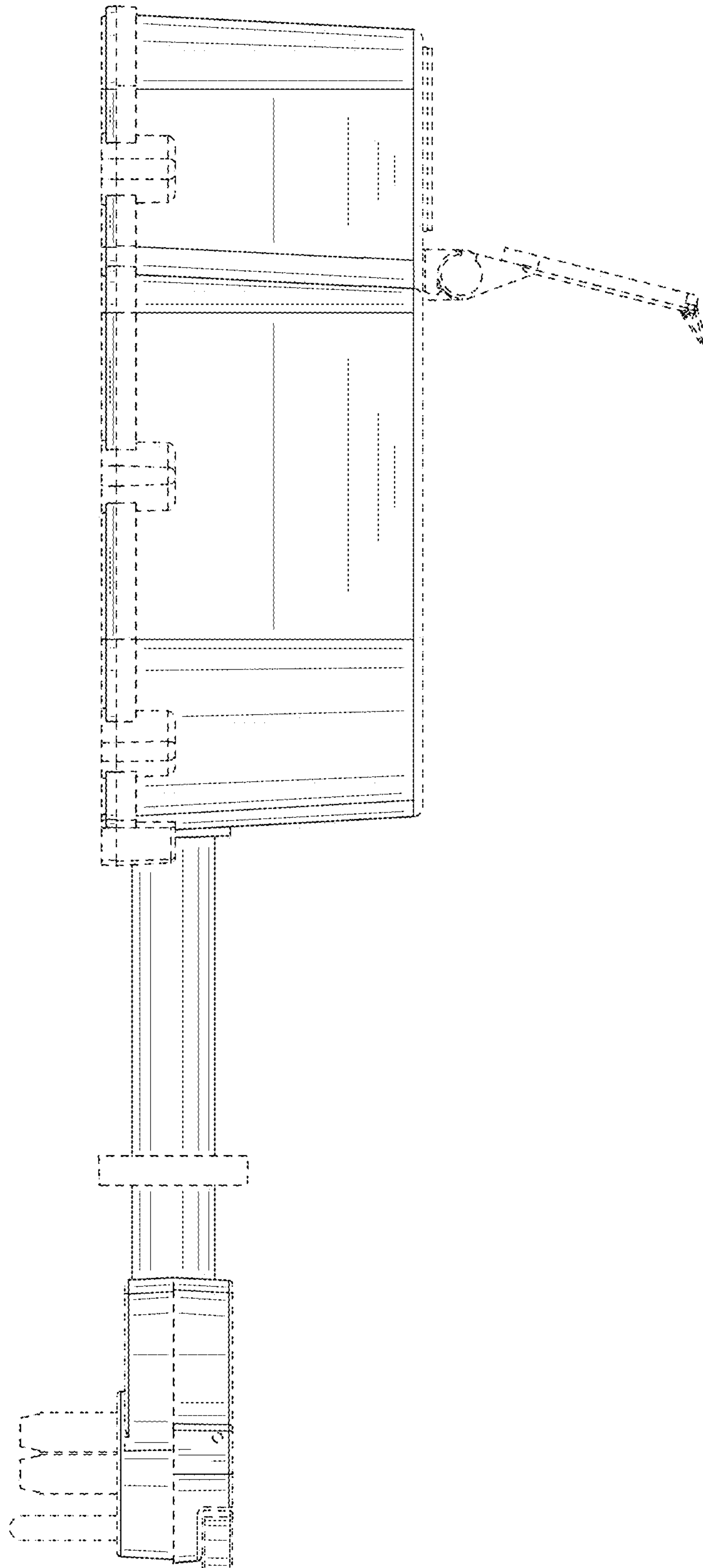


FIG. 15

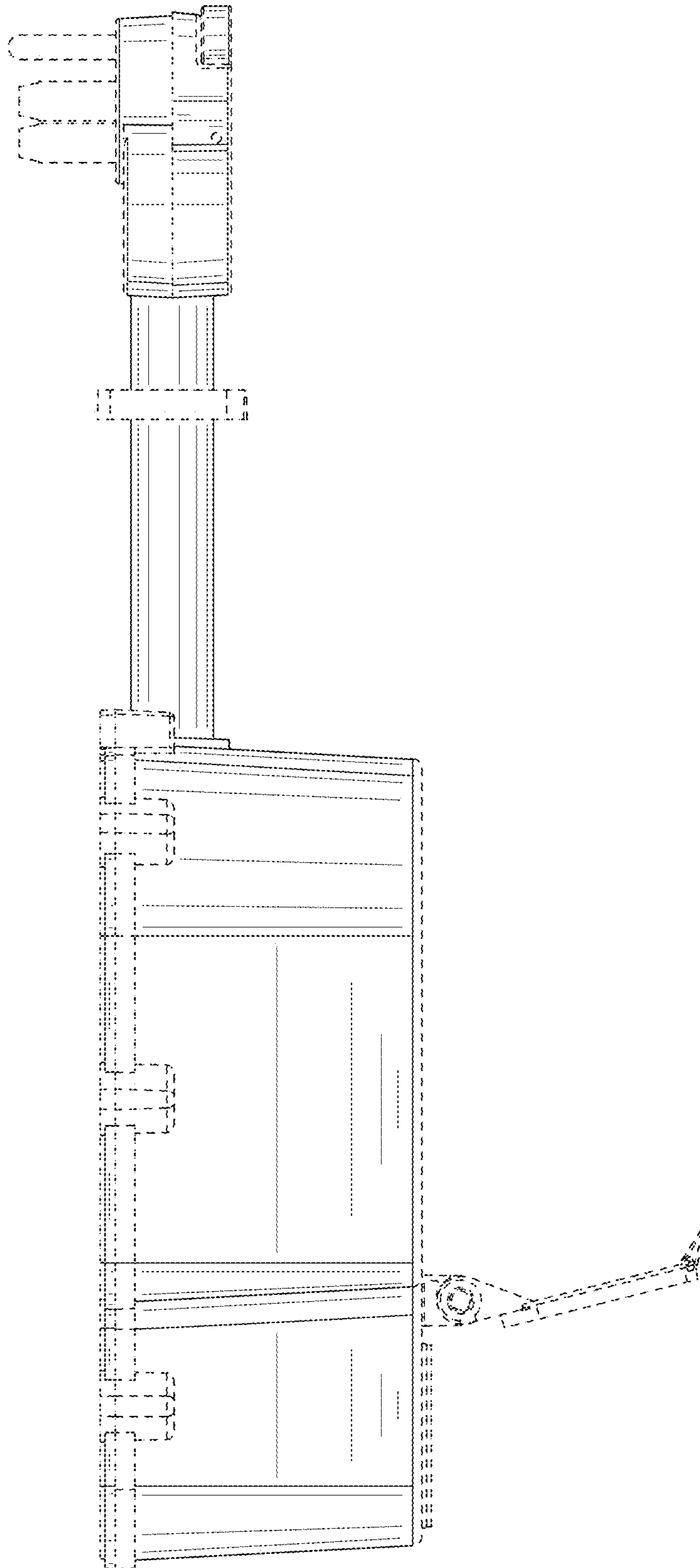


FIG. 16