



US00D967036S

(12) **United States Design Patent**
Hollweck et al.

(10) **Patent No.:** **US D967,036 S**

(45) **Date of Patent:** **** Oct. 18, 2022**

(54) **ELECTRICAL CONTACT**

(71) Applicant: **Infineon Technologies AG**, Neubiberg (DE)

(72) Inventors: **Roman Hollweck**, Burglengenfeld (DE); **Thomas Lehmann**, Sinzing (DE); **Jens Pohl**, Bernhardswald (DE); **Frank Pueschner**, Kelheim (DE); **Thomas Spoettl**, Mintraching (DE)

(73) Assignee: **Infineon Technologies AG**, Neubiberg (DE)

(**) Term: **15 Years**

(21) Appl. No.: **29/729,221**

(22) Filed: **Mar. 25, 2020**

(30) **Foreign Application Priority Data**

Sep. 26, 2019 (DE) 40 2019 101 071.8

(51) **LOC (13) Cl.** **13-03**

(52) **U.S. Cl.**
USPC **D13/154**; D13/199

(58) **Field of Classification Search**
USPC D13/118, 154, 149, 146, 133, 120, 153,
D13/155, 173, 184, 199; D14/356, 432;
D23/259, 262
CPC H01R 4/00; H01R 4/16; H01R 43/04
See application file for complete search history.

(56) **References Cited**

U.S. PATENT DOCUMENTS

D370,889 S * 6/1996 Anthony D13/146
D372,459 S * 8/1996 Tiberio, Jr. D13/146

D686,579 S * 7/2013 Fujioka D13/154
D796,978 S * 9/2017 Kawashima D10/80
D820,797 S * 6/2018 O'Connell D13/199
D908,196 S * 1/2021 Tropper D23/262
D910,579 S * 2/2021 Miyamoto D13/154
D922,337 S * 6/2021 Migliorino D13/173
D924,813 S * 7/2021 Bailey D13/155
D928,088 S * 8/2021 Kim D13/120
D938,952 S * 12/2021 Akana D14/432
11,303,163 B2 * 4/2022 Jang H02J 50/10
2021/0303813 A1 * 9/2021 Pohl H04B 5/0075
2021/0345683 A1 * 11/2021 Pohl A24F 40/65

* cited by examiner

Primary Examiner — Llorelys Martinez

Assistant Examiner — Kwabena A. Ankobiah

(74) *Attorney, Agent, or Firm* — Viering, Jentschura & Partner mbB

(57) **CLAIM**

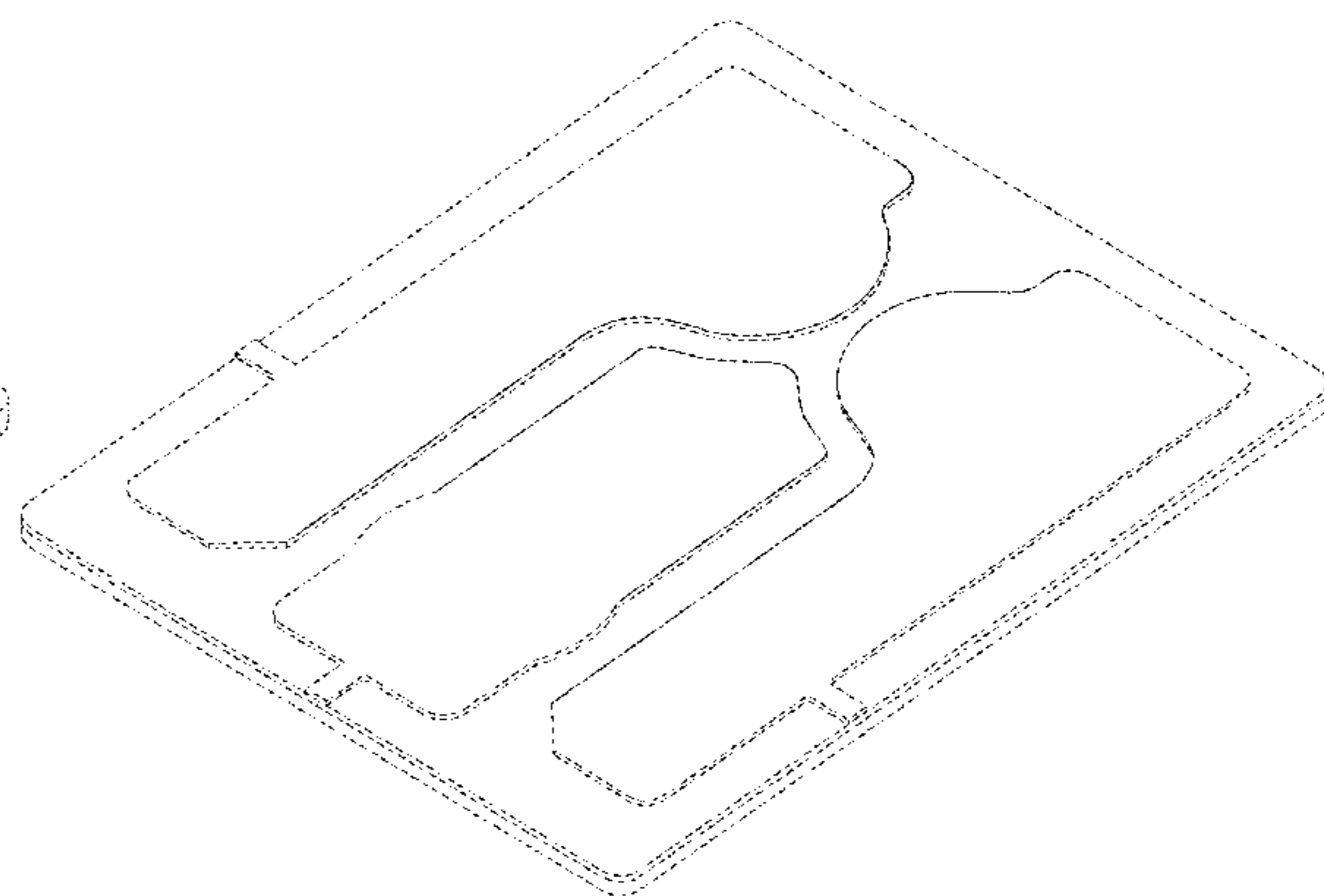
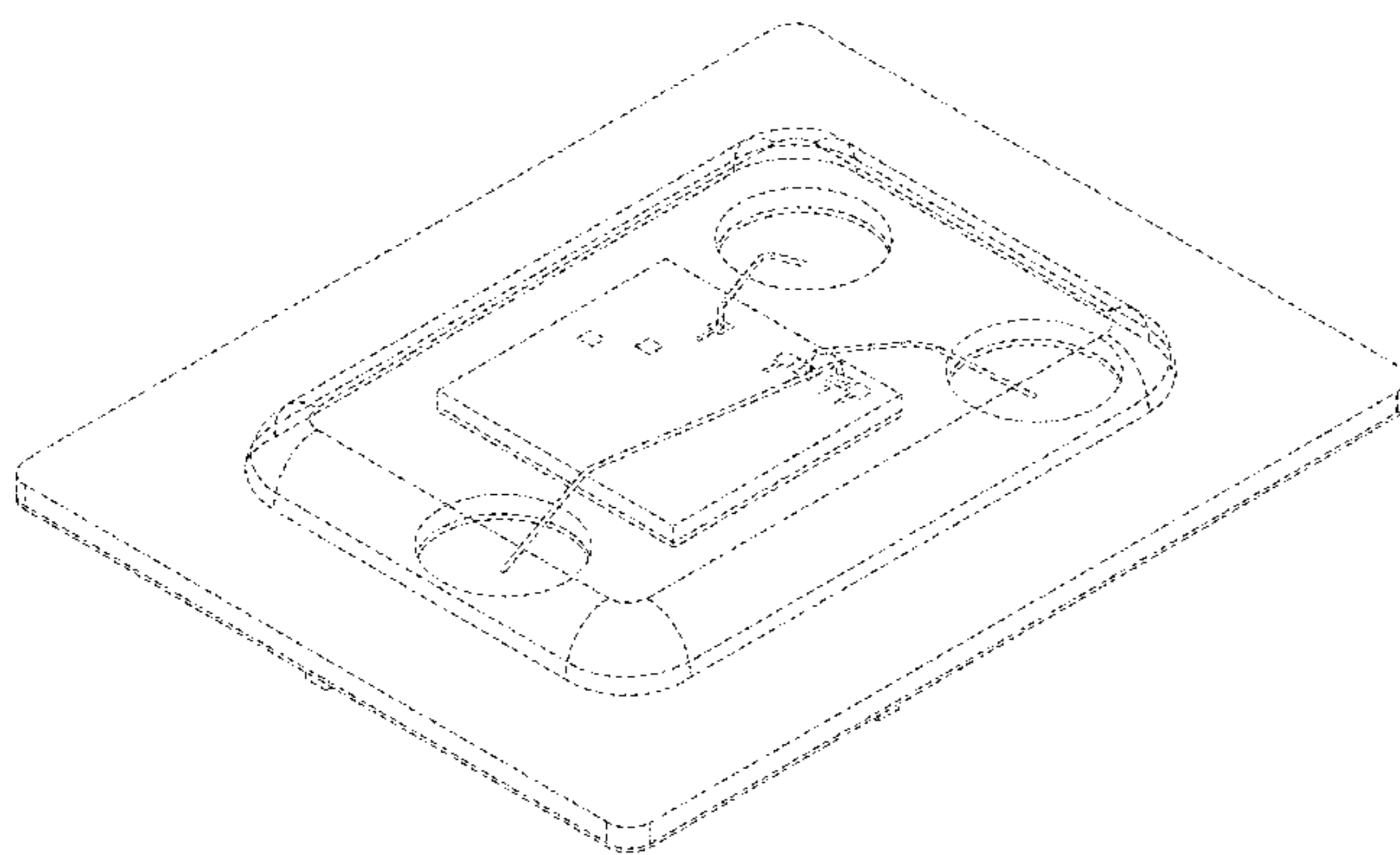
The ornamental design for an electrical contact, as shown and described.

DESCRIPTION

FIG. 1 is a perspective view of the electrical contact. FIG. 2 is another perspective view of the opposing side of the electrical contact in FIG. 1; and, FIG. 3 is a top view of the opposing side of the electrical contact in FIG. 2.

The broken lines in the figures show portions of the electrical contact that form no part of the claimed design.

1 Claim, 3 Drawing Sheets



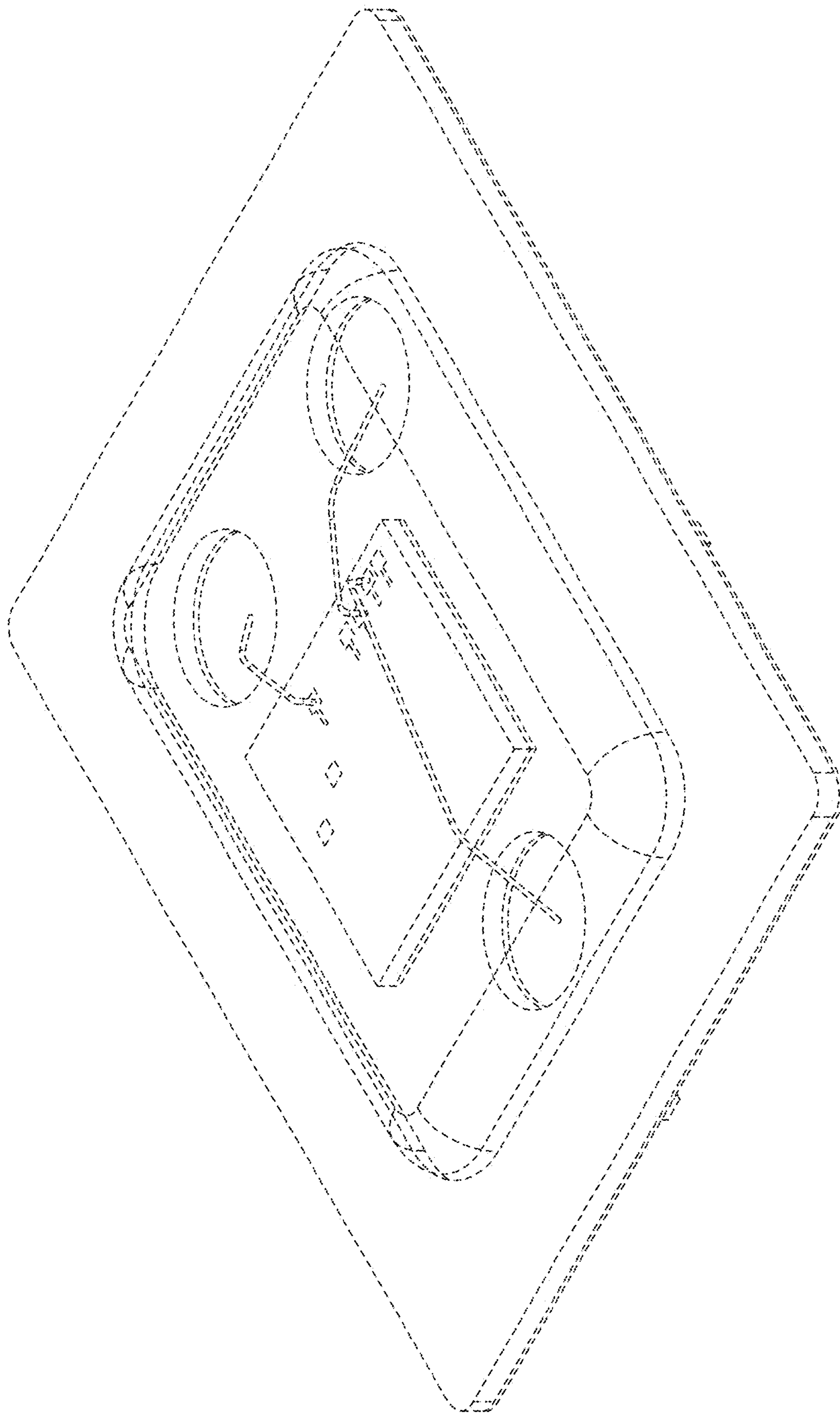


FIG. 1

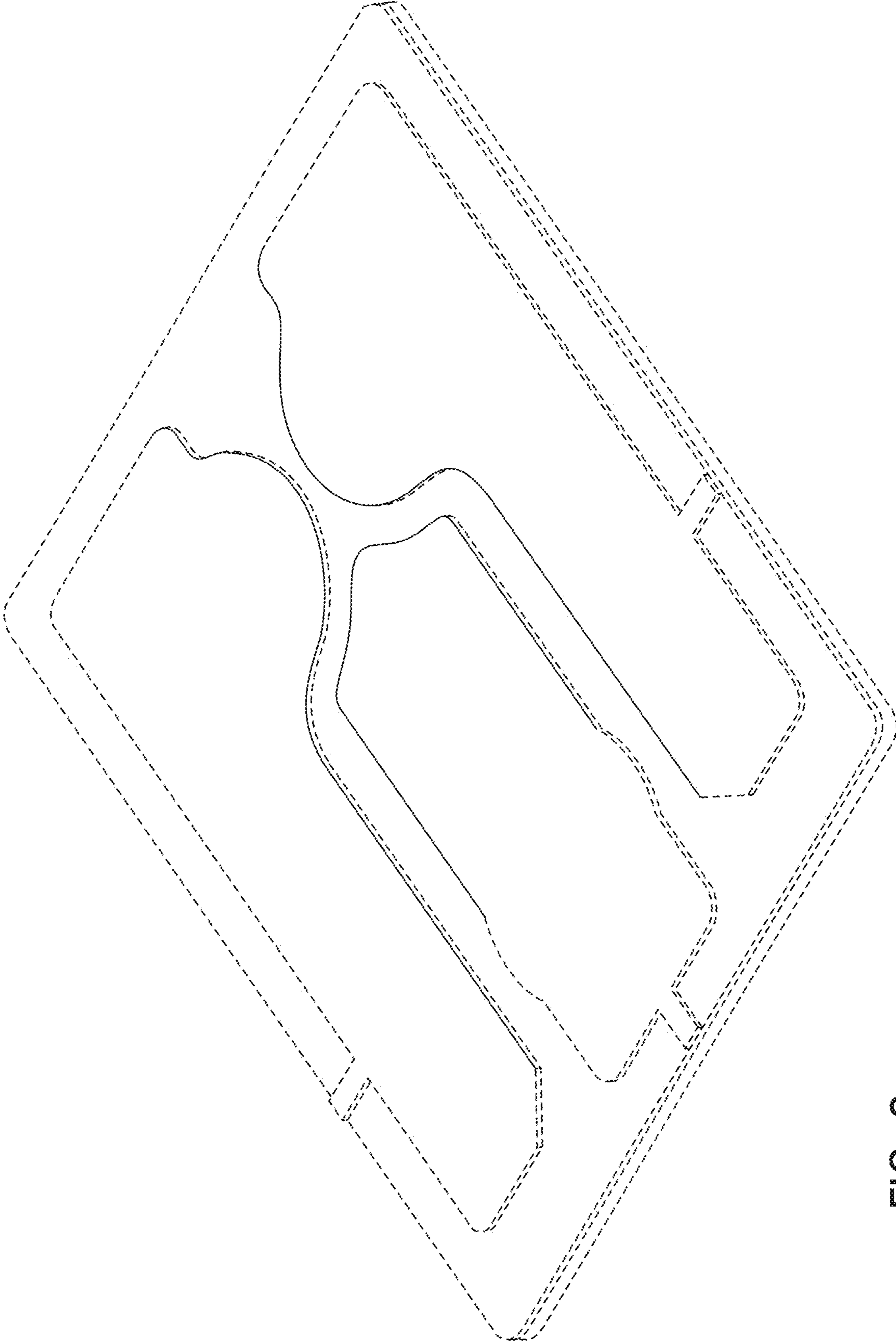


FIG. 2

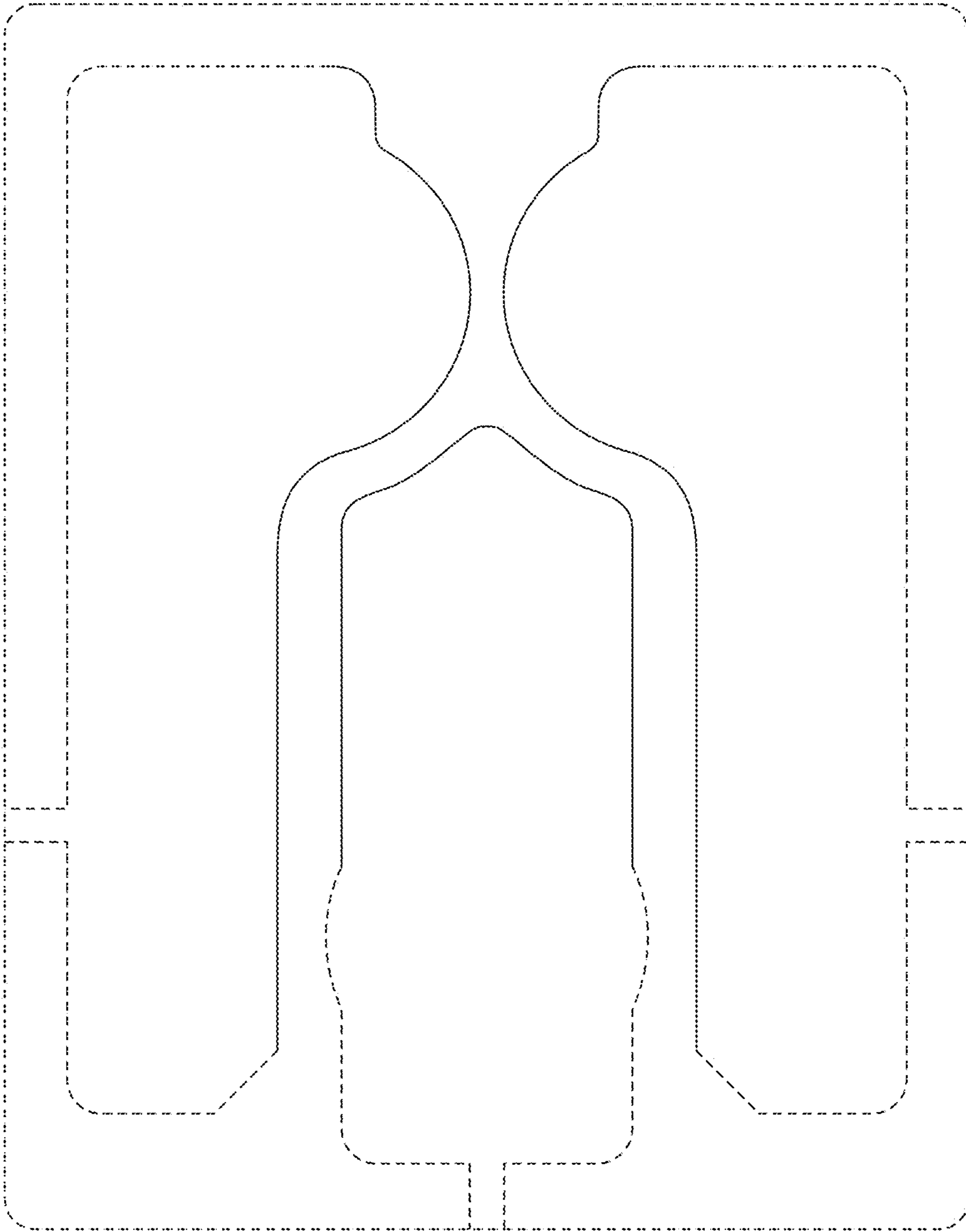


FIG. 3