

US00D967030S

(12) **United States Design Patent** (10) **Patent No.:** **US D967,030 S**
Asano (45) **Date of Patent:** **** Oct. 18, 2022**

(54) **USB RECEPTACLE**

(71) Applicant: **HOSIDEN CORPORATION**, Osaka (JP)

(72) Inventor: **Takao Asano**, Gumma (JP)

(73) Assignee: **HOSIDEN CORPORATION**, Osaka (JP)

(**) Term: **15 Years**

(21) Appl. No.: **29/726,247**

(22) Filed: **Mar. 2, 2020**

(30) **Foreign Application Priority Data**

Sep. 6, 2019 (JP) 2019-019925

(51) **LOC (13) Cl.** **13-03**

(52) **U.S. Cl.**
USPC **D13/144**

(58) **Field of Classification Search**
USPC D13/144, 108, 110, 107, 103, 155, 156;
D12/114; D14/155, 252; D27/141
CPC H02J 7/0042; H01R 24/58; H01R 13/447;
H01R 13/52
See application file for complete search history.

(56) **References Cited**

U.S. PATENT DOCUMENTS

- 3,258,731 A * 6/1966 Still et al. H01R 13/447
159/11.3
- 4,333,698 A * 6/1982 Herbert H01R 13/447
439/135
- D664,099 S * 7/2012 Fukushima D13/156
- D722,294 S * 2/2015 Lee D13/144
- D770,384 S * 11/2016 Zetterqvist D13/133
- D817,888 S * 5/2018 Yu D13/139.1
- D829,665 S * 10/2018 Zhu D13/144
- D872,696 S * 1/2020 Yu D13/137.4

- D916,029 S * 4/2021 Malczok D13/144
- 2014/0328076 A1* 11/2014 Firman, II H01R 31/065
362/546
- 2017/0288335 A1* 10/2017 Hsu G02B 6/3816

* cited by examiner

Primary Examiner — Jennifer O King
(74) *Attorney, Agent, or Firm* — Greenblum & Bernstein, P.L.C.

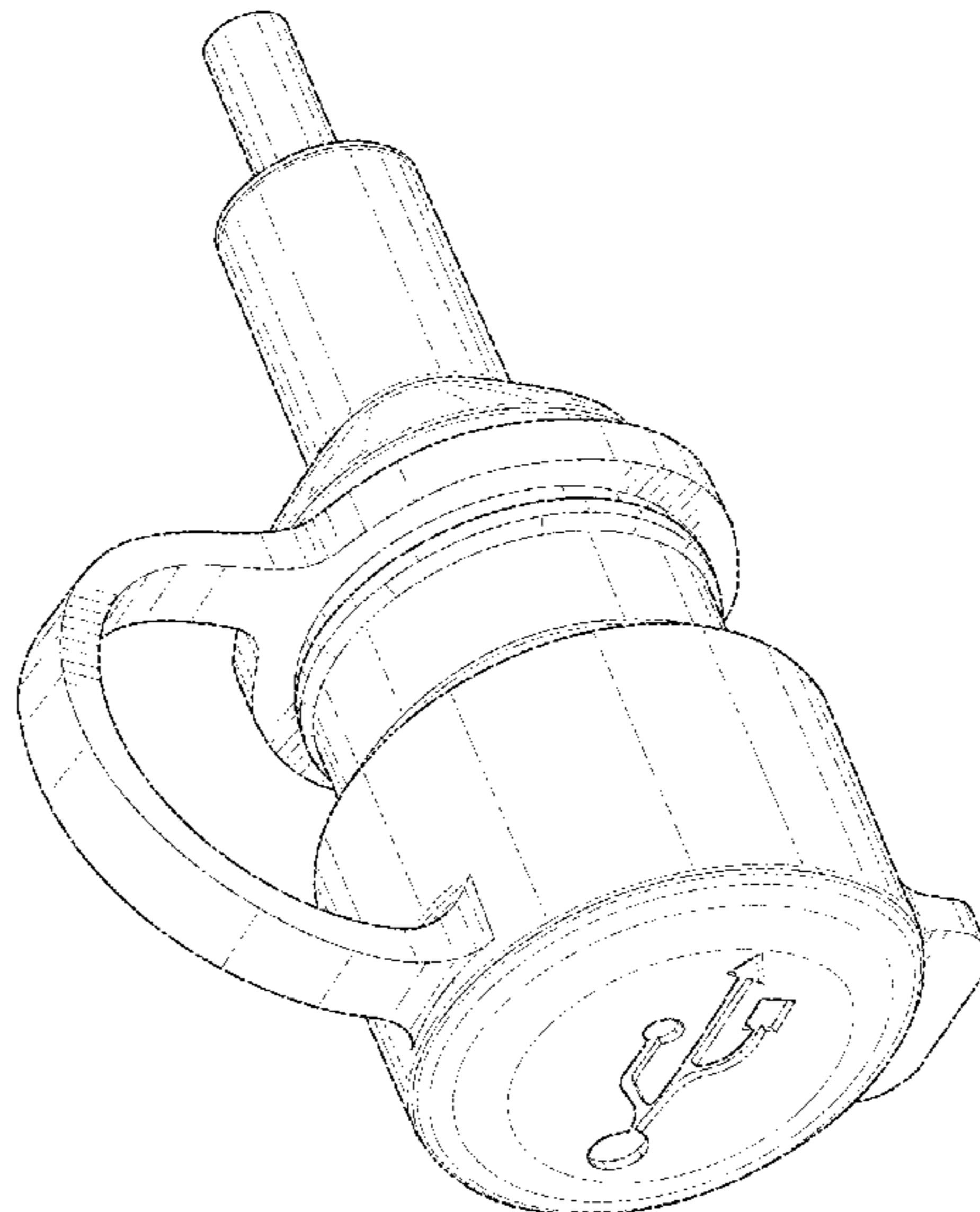
(57) **CLAIM**

I claim the ornamental design for a USB receptacle, as shown and described.

DESCRIPTION

FIG. 1 is a top plan view of a USB receptacle showing the new design;
 FIG. 2 is a front view thereof;
 FIG. 3 is a right side view thereof;
 FIG. 4 is a left side view thereof;
 FIG. 5 is a bottom view thereof;
 FIG. 6 is a rear view thereof;
 FIG. 7 is a perspective view of the front, right, and top sides thereof;
 FIG. 8 is a perspective view of the front, right, and bottom sides thereof;
 FIG. 9 is a sectional view thereof taken along line 9-9 in FIG. 2;
 FIG. 10 is a right side view thereof with a cap of the USB receptacle removed; and,
 FIG. 11 is a perspective view of the front, right, and top sides thereof with the cap of the USB receptacle removed.
 The broken lines shown in the drawings illustrate portions of the USB receptacle that form no part of the claimed design. An outer peripheral surface of a socket part of the USB receptacle that is exposed when the cap is removed, which is shown in FIG. 11, is symmetrical on all sides.
 An inner peripheral surface of the cap of the USB receptacle that is exposed when the cap is removed, which is shown in FIG. 11, is symmetrical on all sides.

1 Claim, 11 Drawing Sheets



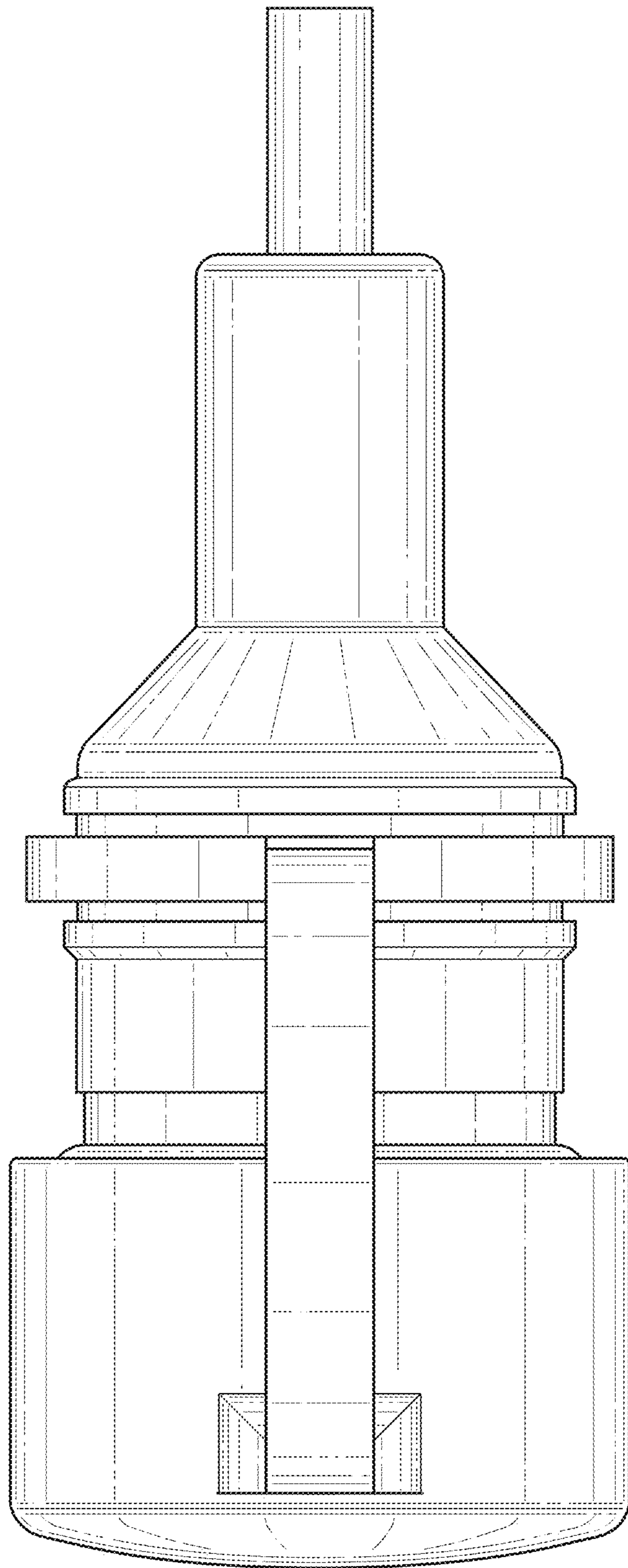


FIG. 1

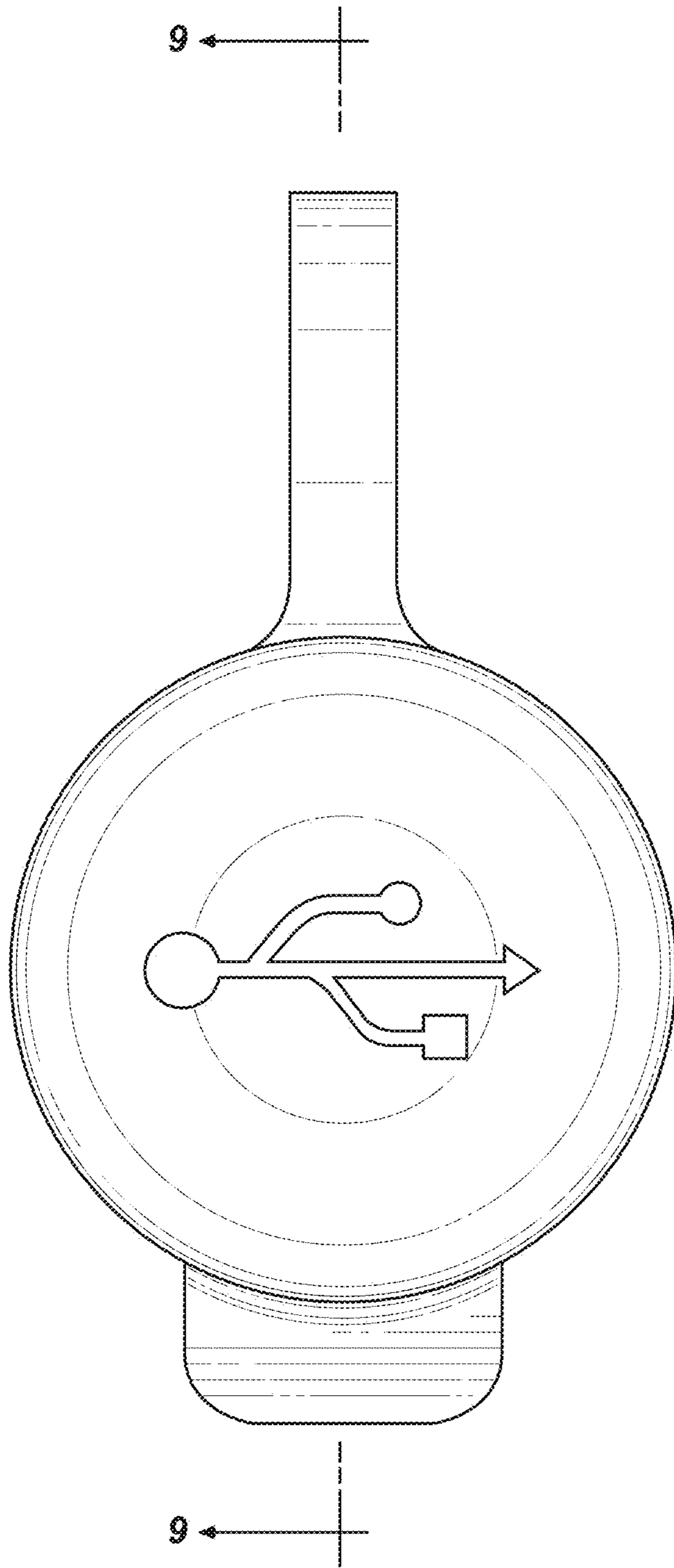


FIG. 2

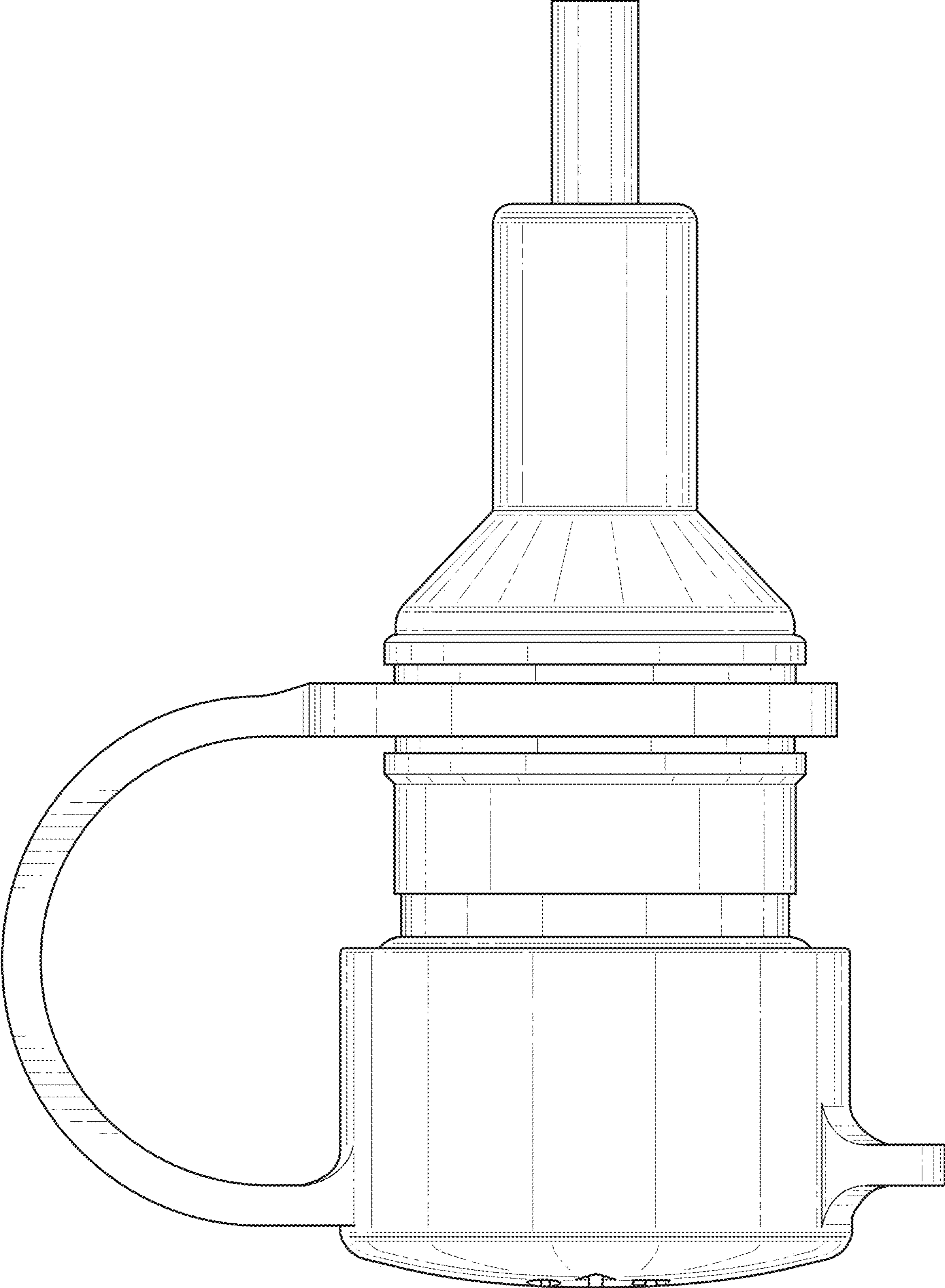


FIG. 3

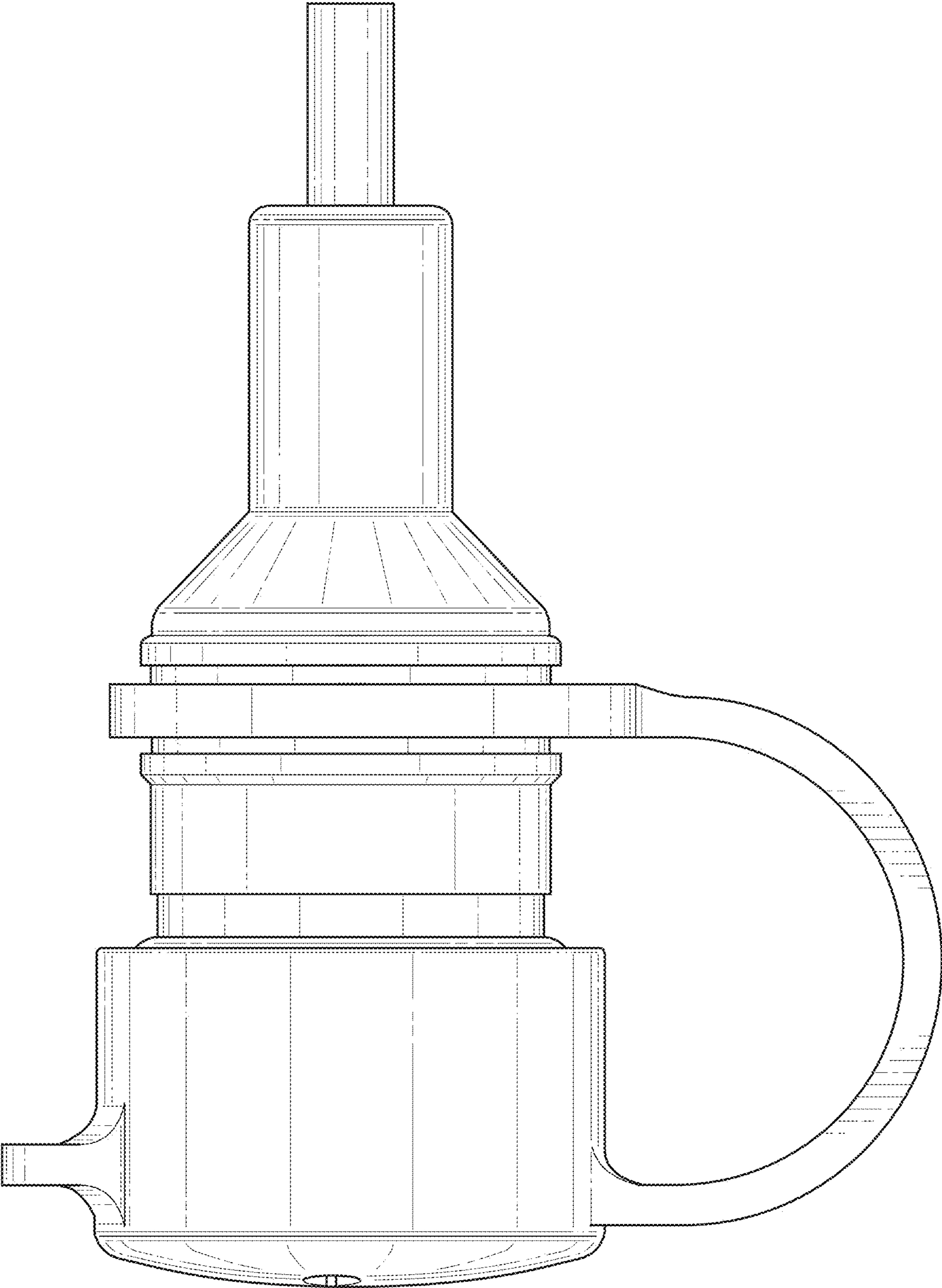


FIG. 4

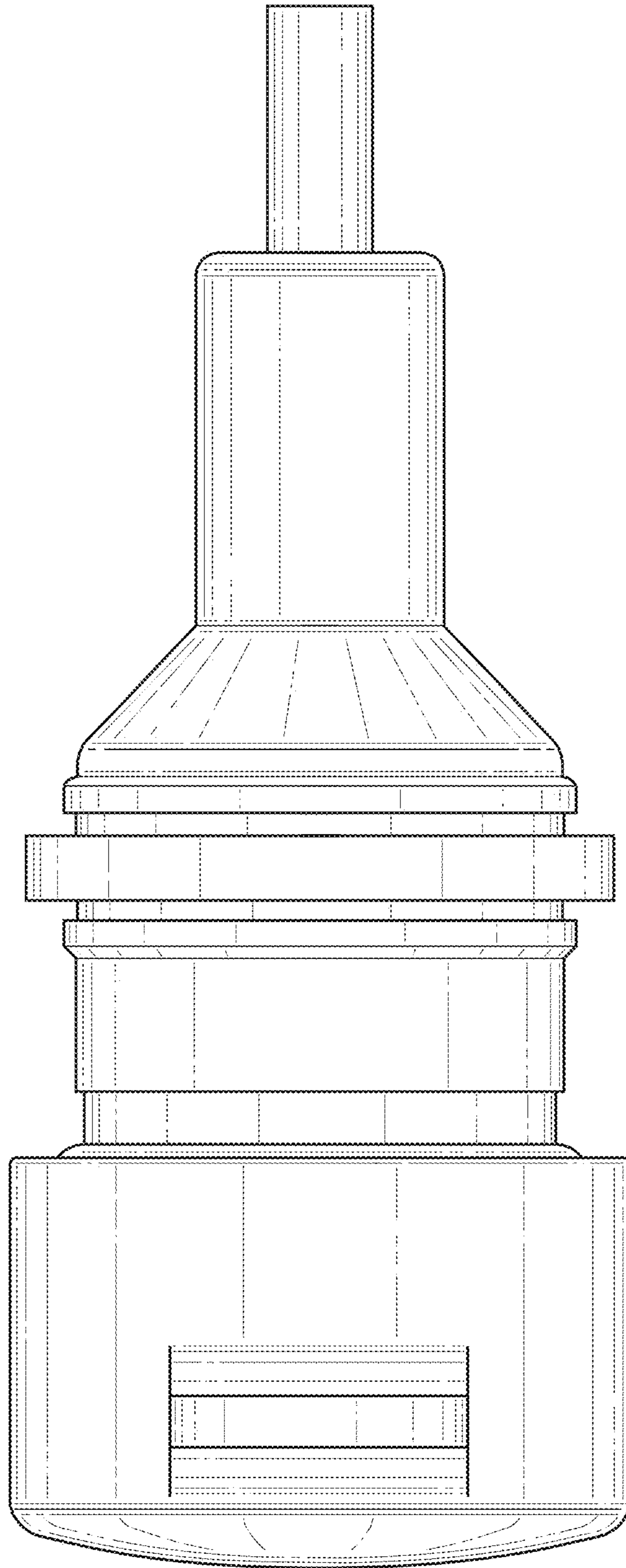


FIG. 5

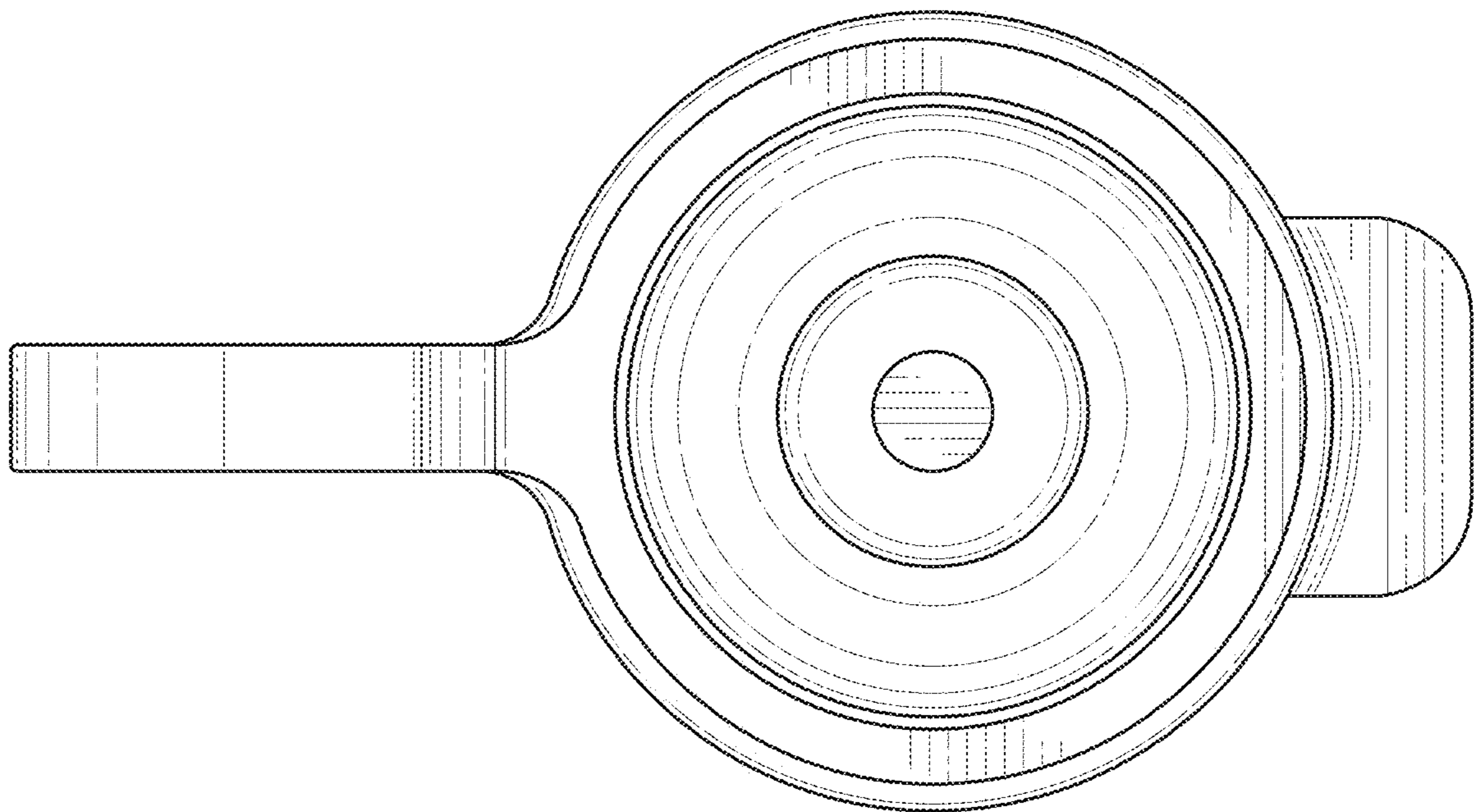


FIG. 6

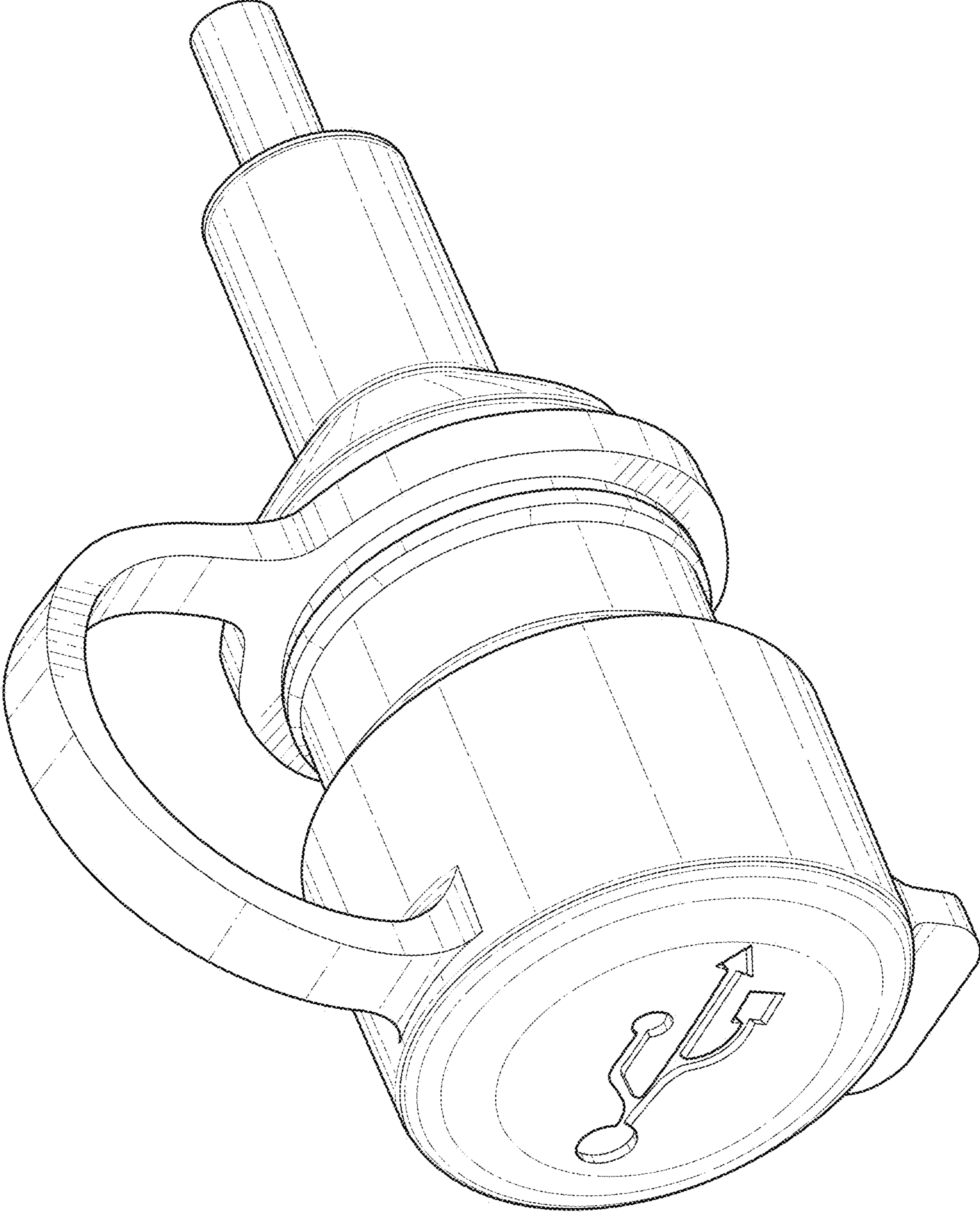


FIG. 7

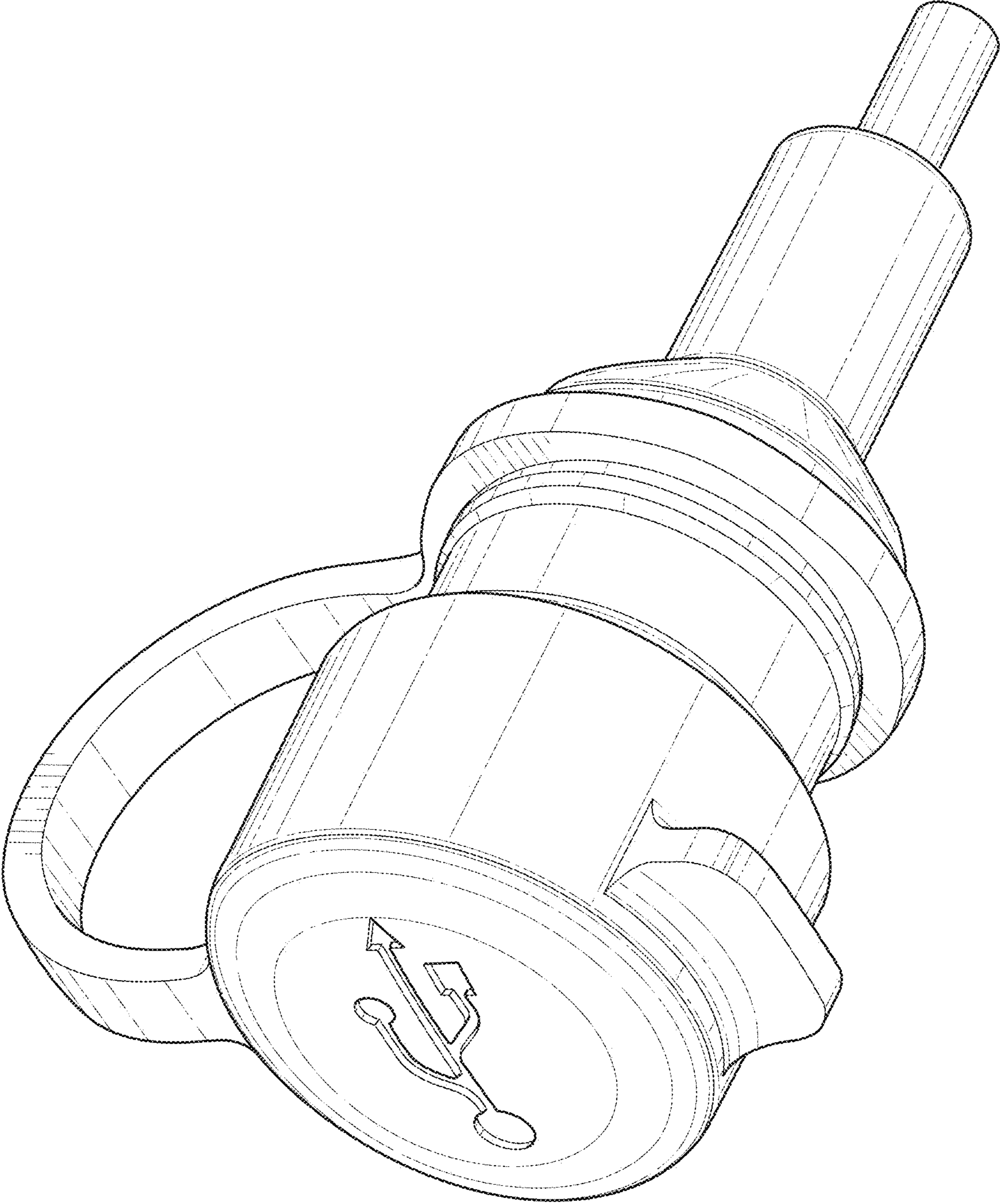


FIG. 8

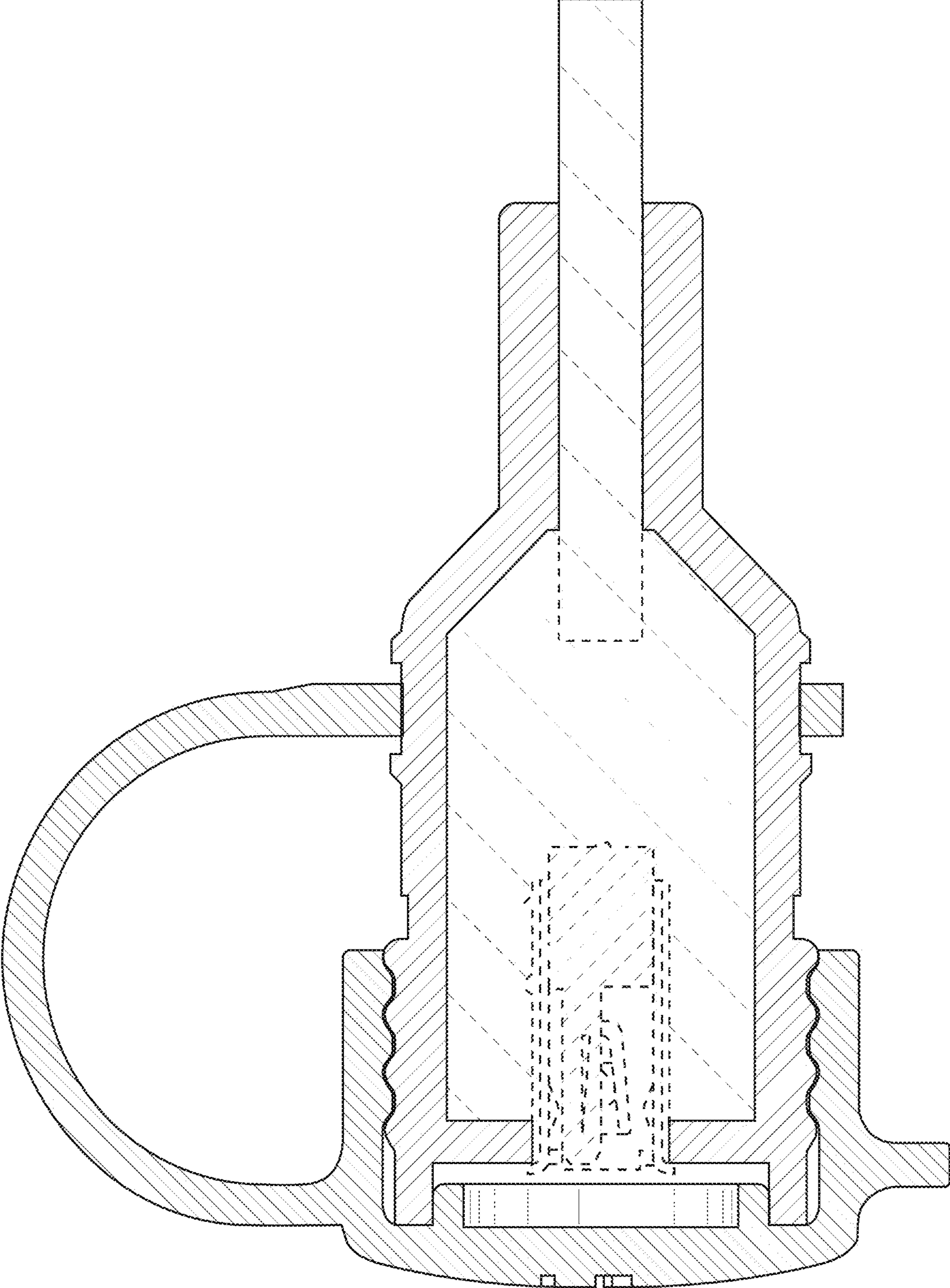


FIG. 9

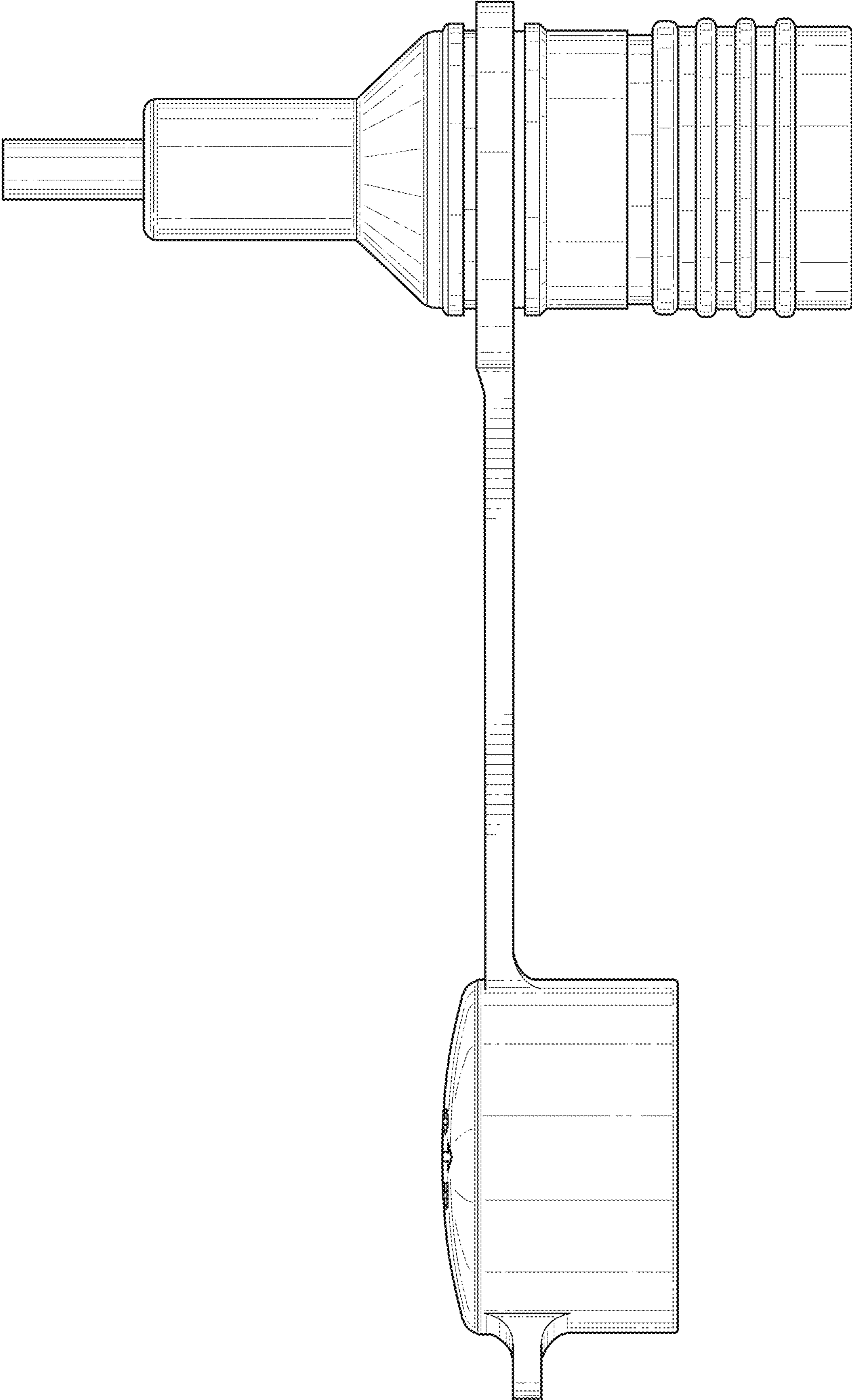


FIG. 10

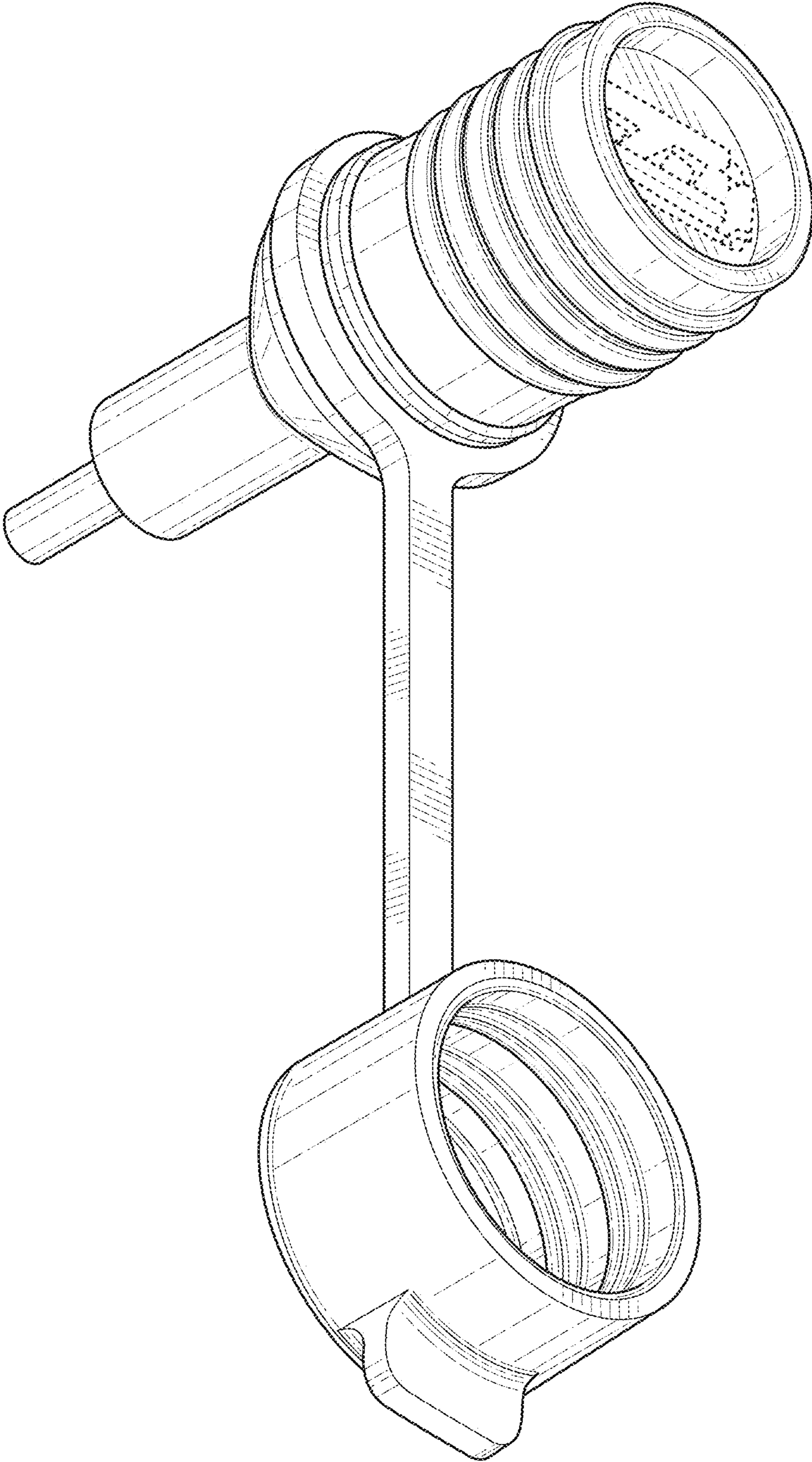


FIG. 11