

US00D967027S

(12) **United States Design Patent**
Underhill et al.

(10) **Patent No.:** **US D967,027 S**

(45) **Date of Patent:** **** Oct. 18, 2022**

(54) **USB-C PORT WITH CIRCUIT BOARD**

(71) Applicant: **THE NOCO COMPANY**, Glenwillow, OH (US)

(72) Inventors: **Derek Michael Underhill**, Tempe, AZ (US); **Ifechukwude Christian Iwerunmor**, Peoria, AZ (US); **Tom Situ**, Glendale, AZ (US); **James P. McBride**, Phoenix, AZ (US); **James Richard Stanfield**, Glendale, AZ (US)

(73) Assignee: **THE NOCO COMPANY**, Glenwillow, OH (US)

(**) Term: **15 Years**

(21) Appl. No.: **29/764,761**

(22) Filed: **Dec. 31, 2020**

Related U.S. Application Data

(63) Continuation-in-part of application No. 29/719,413, filed on Jan. 3, 2020, now Pat. No. Des. 944,206, and a continuation-in-part of application No. 29/719,409, filed on Jan. 3, 2020, now Pat. No. Des. 944,205.

(51) **LOC (13) Cl.** **13-03**

(52) **U.S. Cl.**
USPC **D13/133; D13/147**

(58) **Field of Classification Search**
USPC D13/110, 118, 123, 133, 146, 147, 149, D13/153, 154, 173, 184, 199
CPC H01R 13/00; H01R 13/46; H01R 13/502; H01R 13/52; H01R 13/58; H01R 13/62; H01R 13/648; H01R 24/00; H01R 24/28; H01R 31/06
See application file for complete search history.

(56) **References Cited**

U.S. PATENT DOCUMENTS

7,150,638 B1 * 12/2006 Fonville H01R 13/5213
439/148
9,337,575 B1 * 5/2016 Chang G06K 13/08

D835,585 S * 12/2018 Shirakata D13/147
D853,969 S * 7/2019 Huang D13/147
D861,611 S * 10/2019 Wang D13/133
D864,870 S * 10/2019 Payne D13/133
D886,061 S * 6/2020 Wang D13/133
10,931,059 B1 * 2/2021 Kellogg H01R 24/60
D944,205 S * 2/2022 Underhill D13/133
D944,206 S * 2/2022 Underhill D13/133

(Continued)

Primary Examiner — Shawn T Gingrich

(74) *Attorney, Agent, or Firm* — Vorys, Sater, Seymour and Pease LLP; Michael Messinger

(57) **CLAIM**

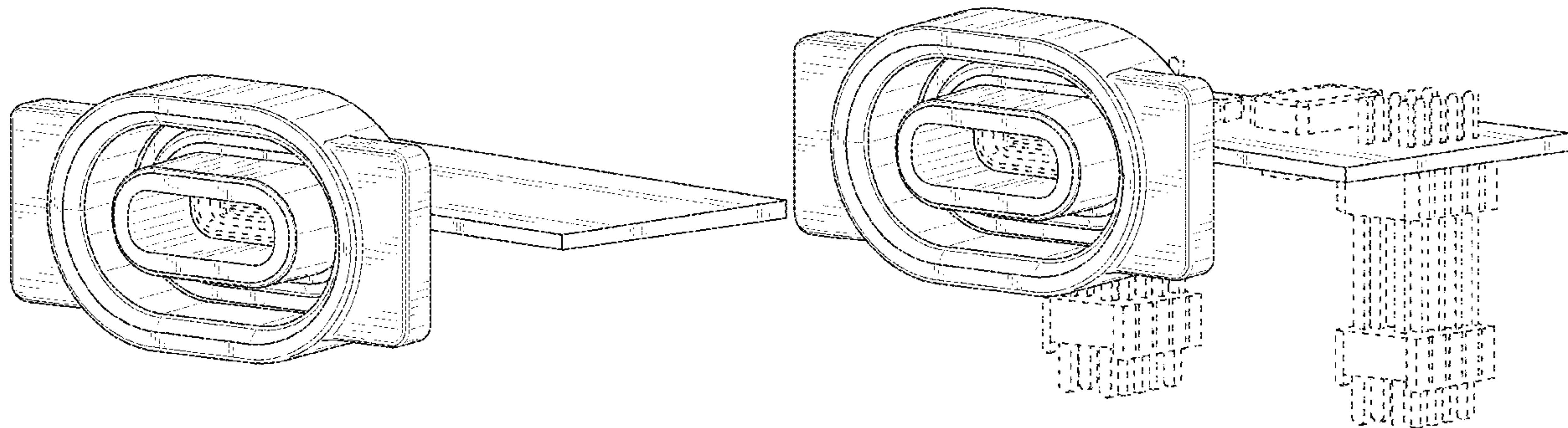
The ornamental design for a USB-C port with circuit board, as shown and described.

DESCRIPTION

FIG. 1 is a perspective view of a new design for a USB-C port;
FIG. 2 is a front elevational view thereof;
FIG. 3 is a rear elevational view thereof;
FIG. 4 is a left side elevational view thereof;
FIG. 5 is a right side elevational view thereof;
FIG. 6 is a top plan view thereof;
FIG. 7 is a bottom plan view thereof;
FIG. 8 is a perspective view of another embodiment for a USB-C port with circuit board;
FIG. 9 is a front elevational view thereof;
FIG. 10 is a rear elevational view thereof;
FIG. 11 is a left side elevational view thereof;
FIG. 12 is a right side elevational view thereof;
FIG. 13 is a top plan view thereof; and,
FIG. 14 is a bottom plan view thereof.

The broken lines in the drawings illustrate portions of the USB-C port with circuit board that form no part of the claimed design.

1 Claim, 14 Drawing Sheets



(56)

References Cited

U.S. PATENT DOCUMENTS

D944,215 S * 2/2022 Underhill D13/133
2001/0018294 A1 * 8/2001 Kameyama H01R 31/06
439/654
2010/0075534 A1 * 3/2010 Mtchedlishvili H05K 13/04
439/578
2011/0269349 A1 * 11/2011 Sulem H01R 13/22
439/638
2016/0068120 A1 * 3/2016 Jin A61B 8/4444
16/2.2
2017/0162990 A1 * 6/2017 Wu H02J 7/00
2017/0256881 A1 * 9/2017 Lambie H01R 13/5202
2018/0175560 A1 * 6/2018 Zhang H01R 12/71
2018/0175562 A1 * 6/2018 Zhao H01R 12/727
2018/0375271 A1 * 12/2018 Powers H01R 24/60
2019/0027859 A1 * 1/2019 Tada H01R 13/11
2019/0288465 A1 * 9/2019 Little H01R 13/6585
2019/0372275 A1 * 12/2019 Zhao H01R 13/6581
2021/0066860 A1 * 3/2021 Yang H01R 13/46

* cited by examiner

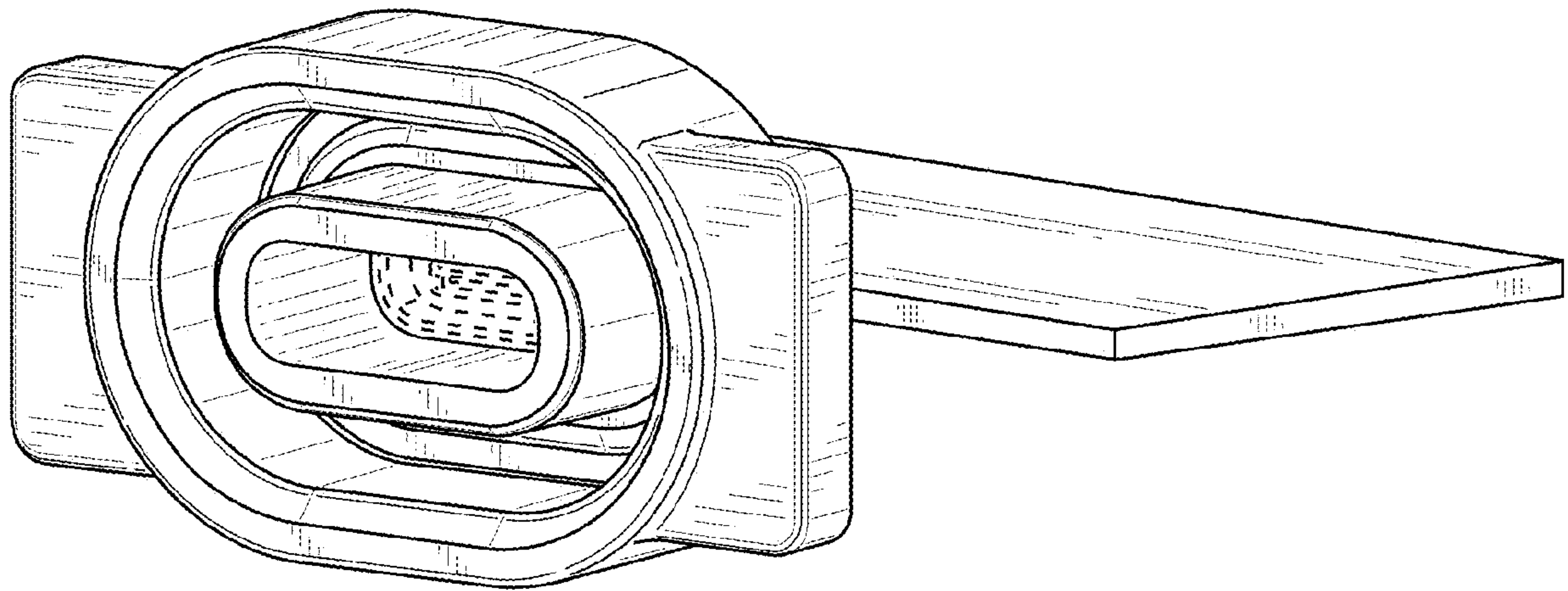


FIG. 1

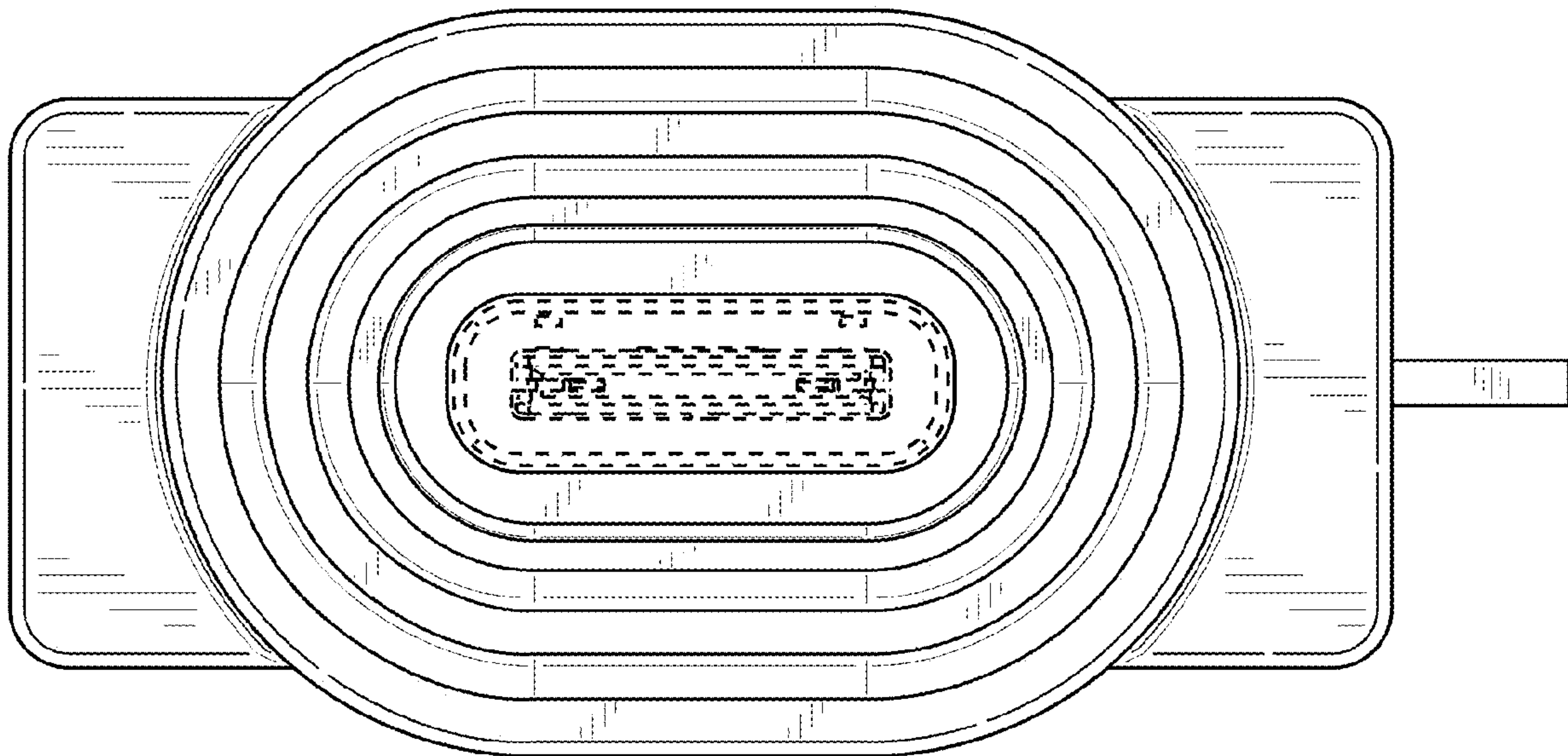


FIG. 2

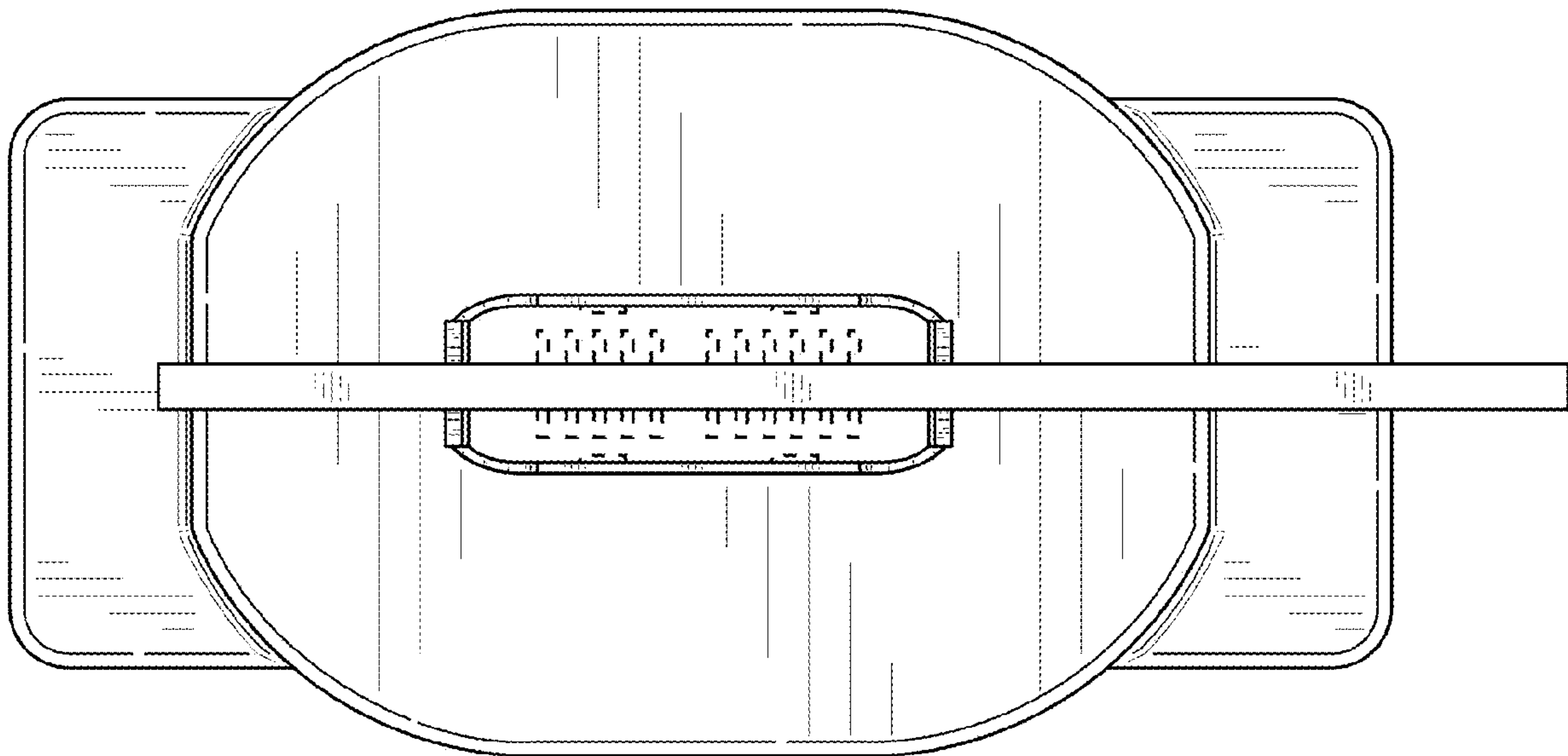


FIG. 3

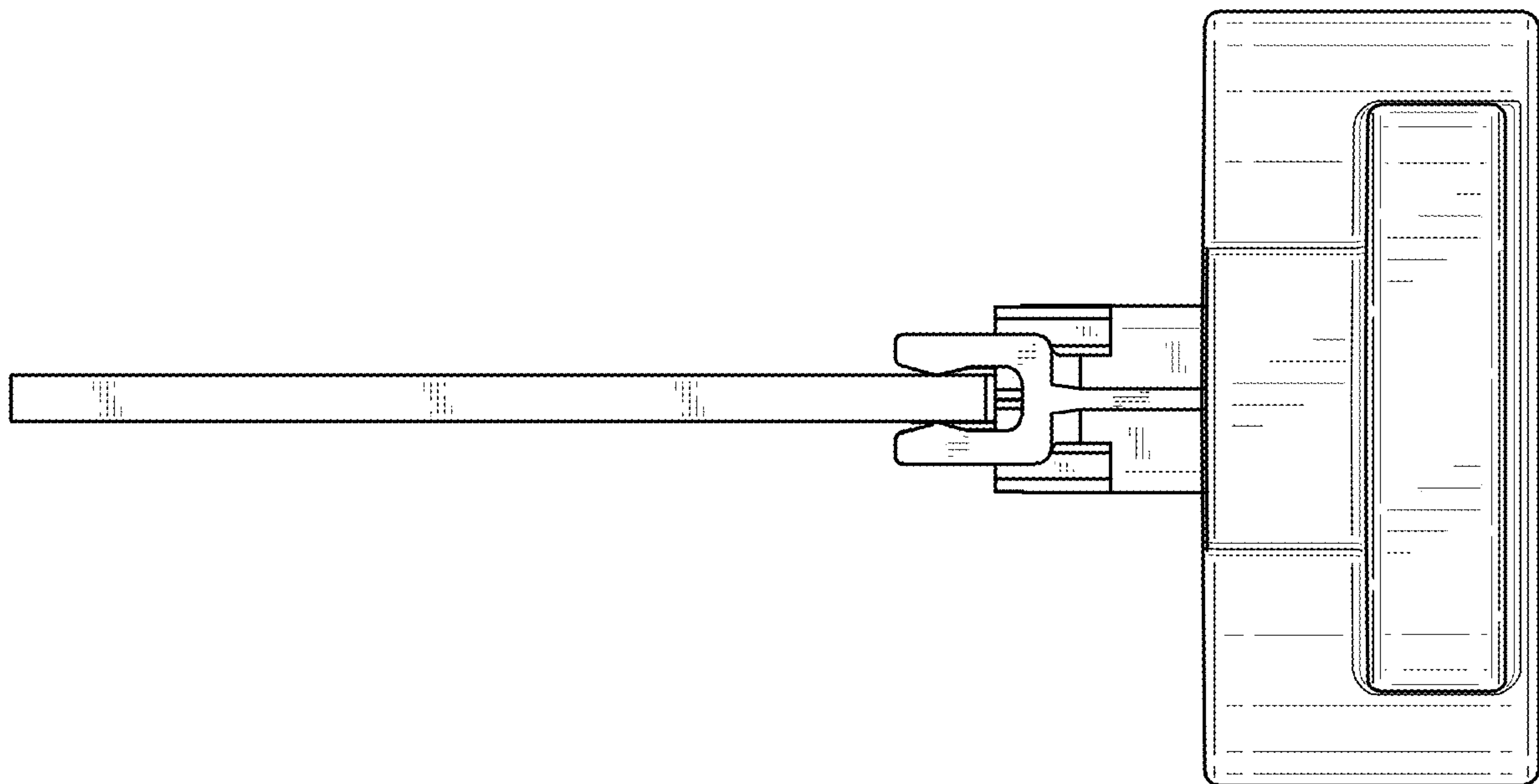


FIG. 4

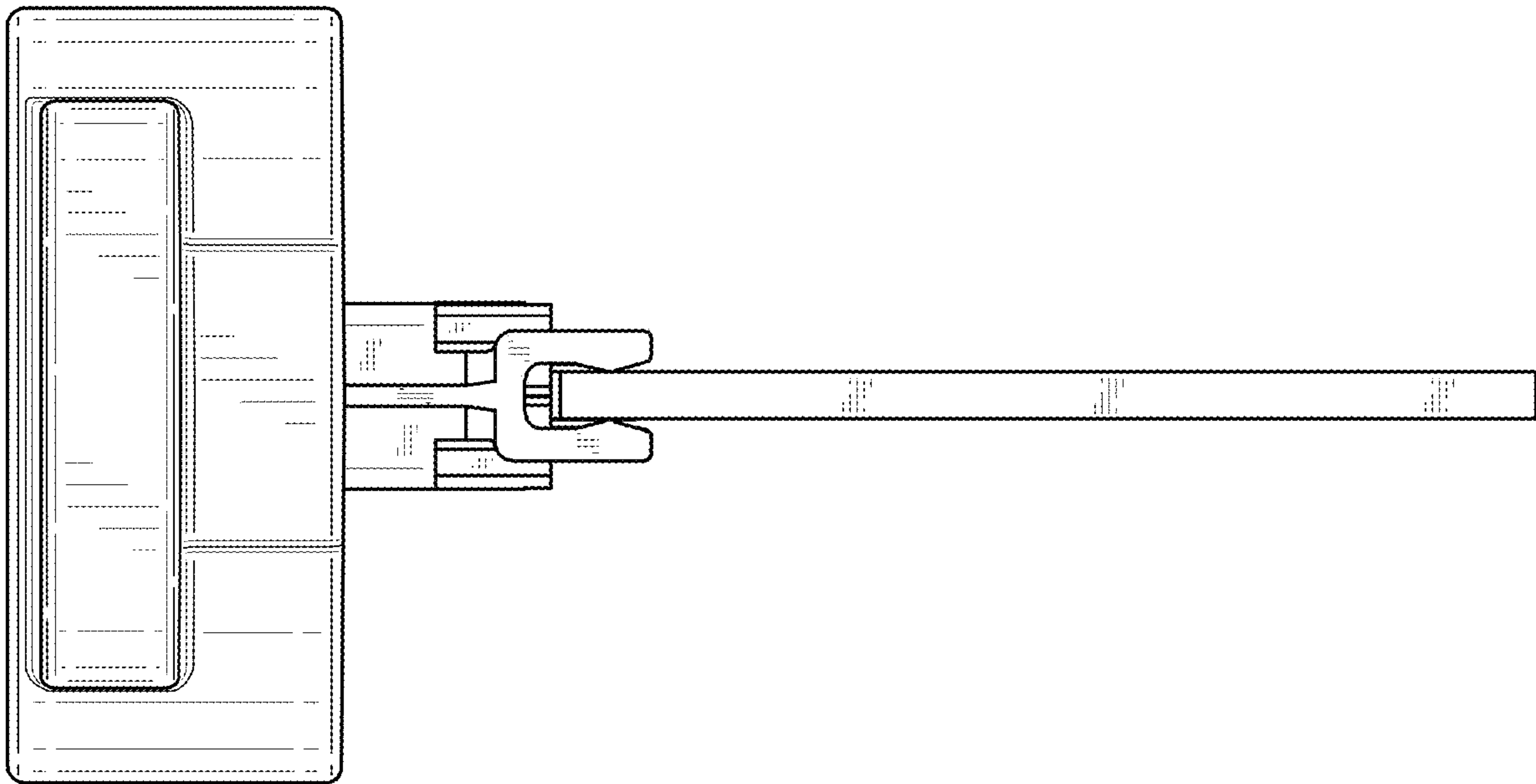


FIG. 5

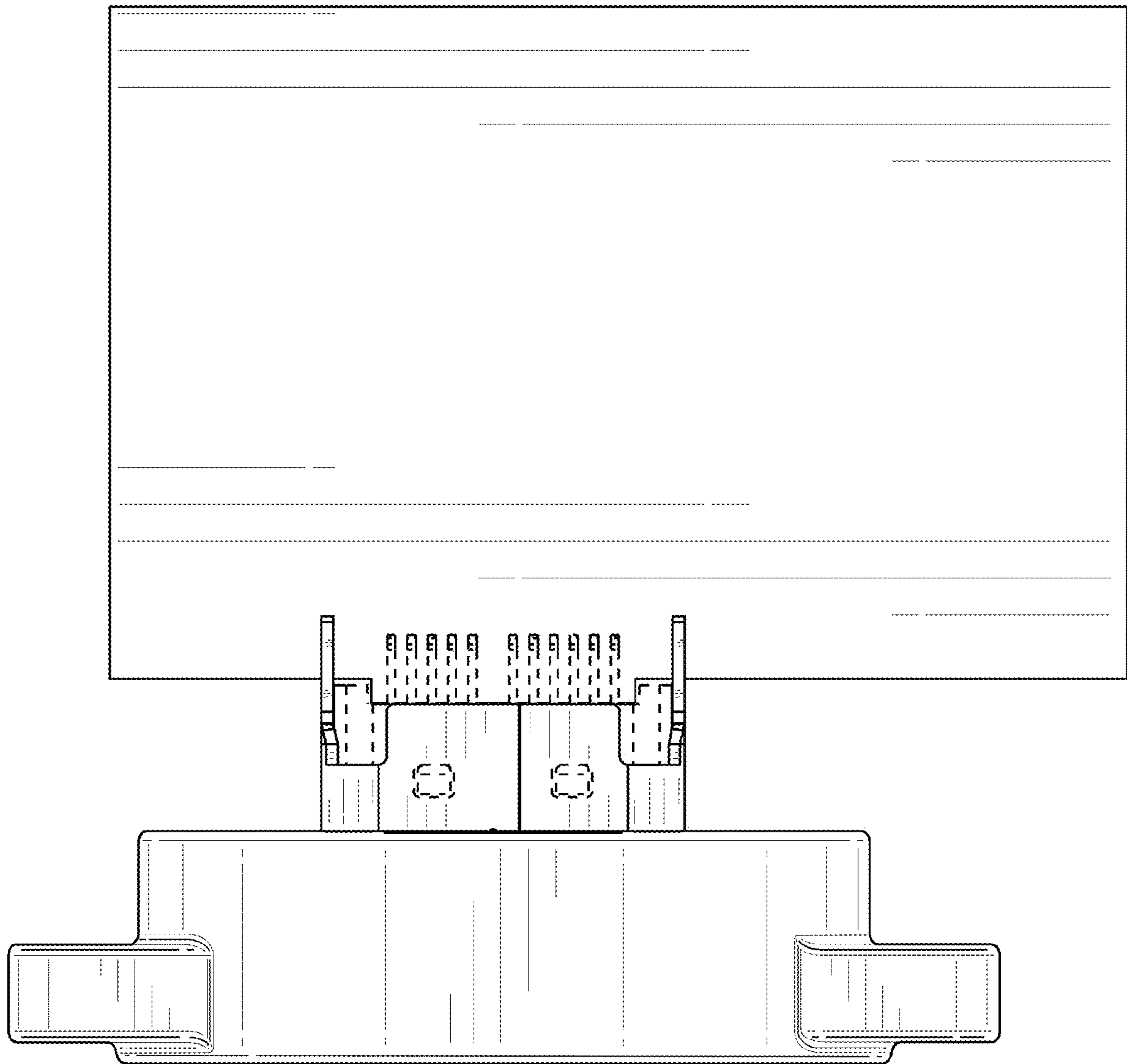


FIG. 6

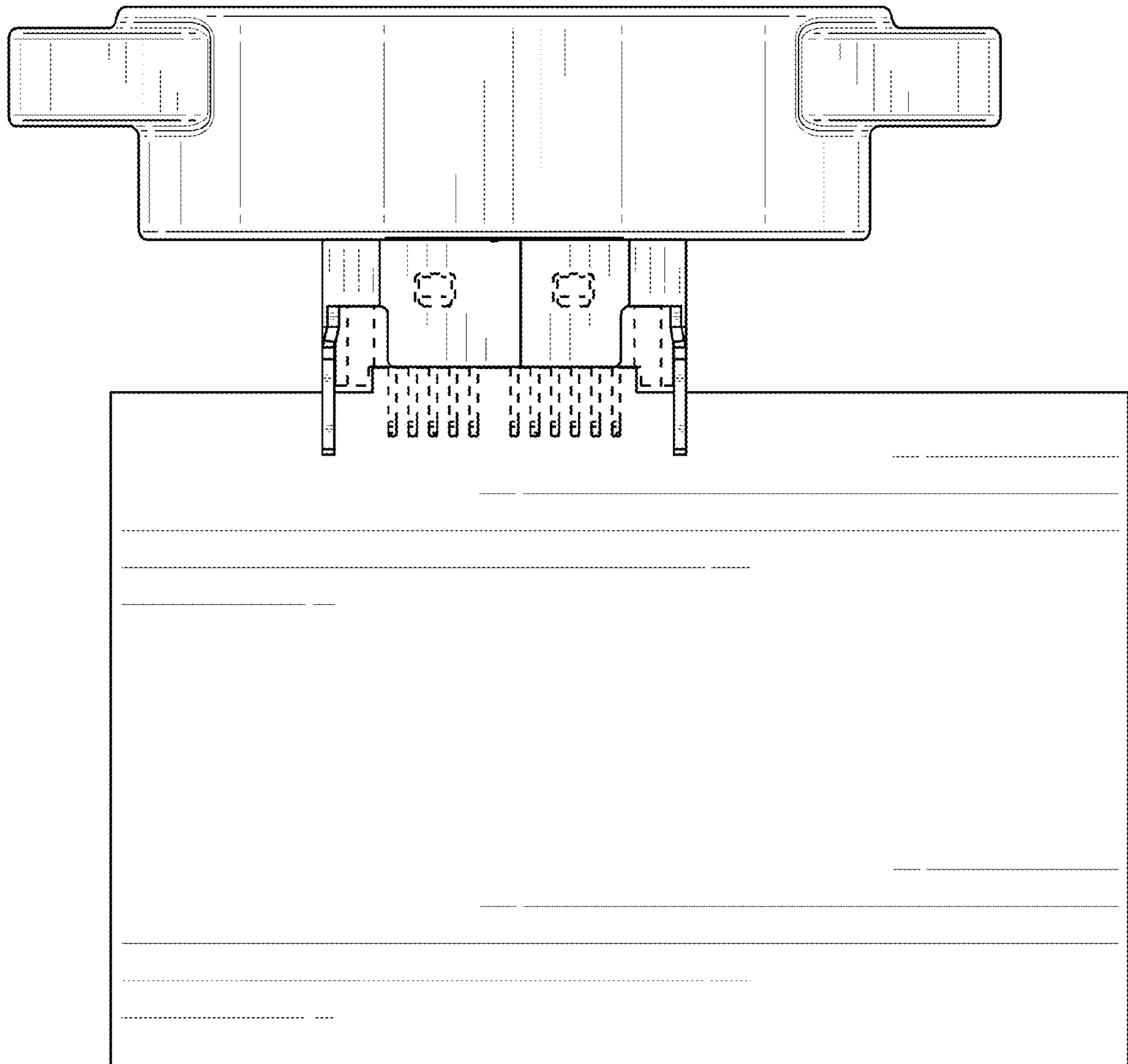


FIG. 7

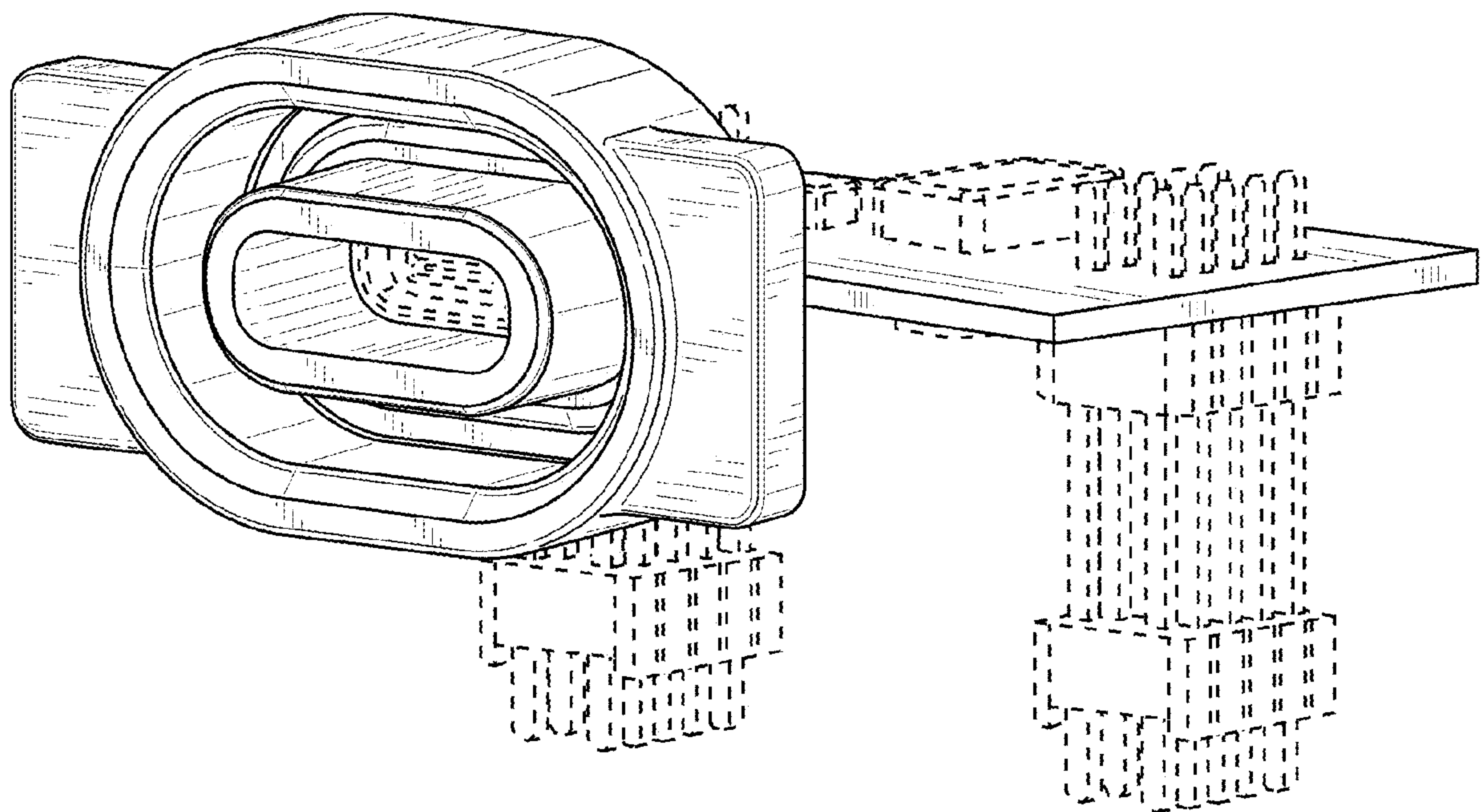


FIG. 8

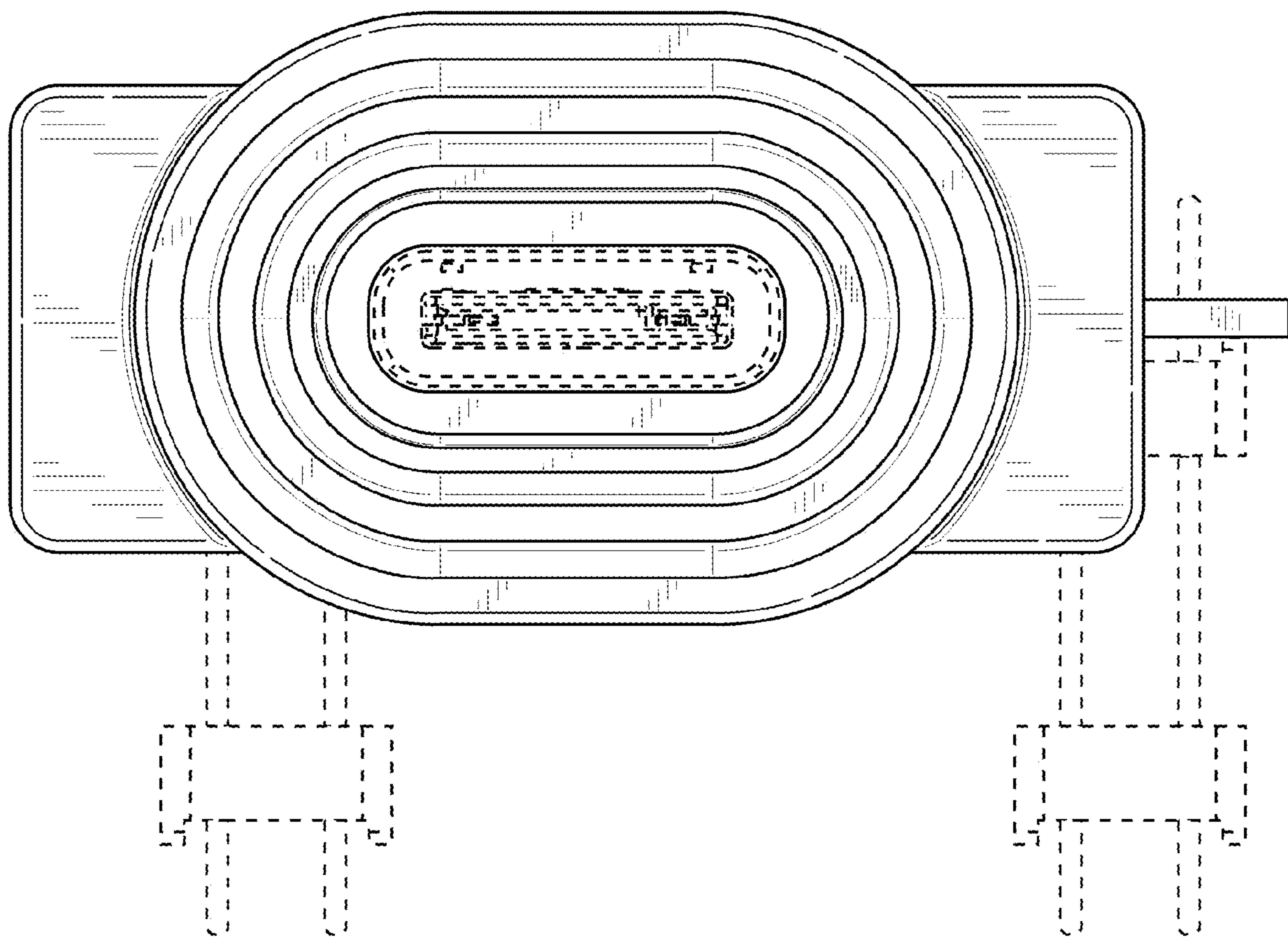


FIG. 9

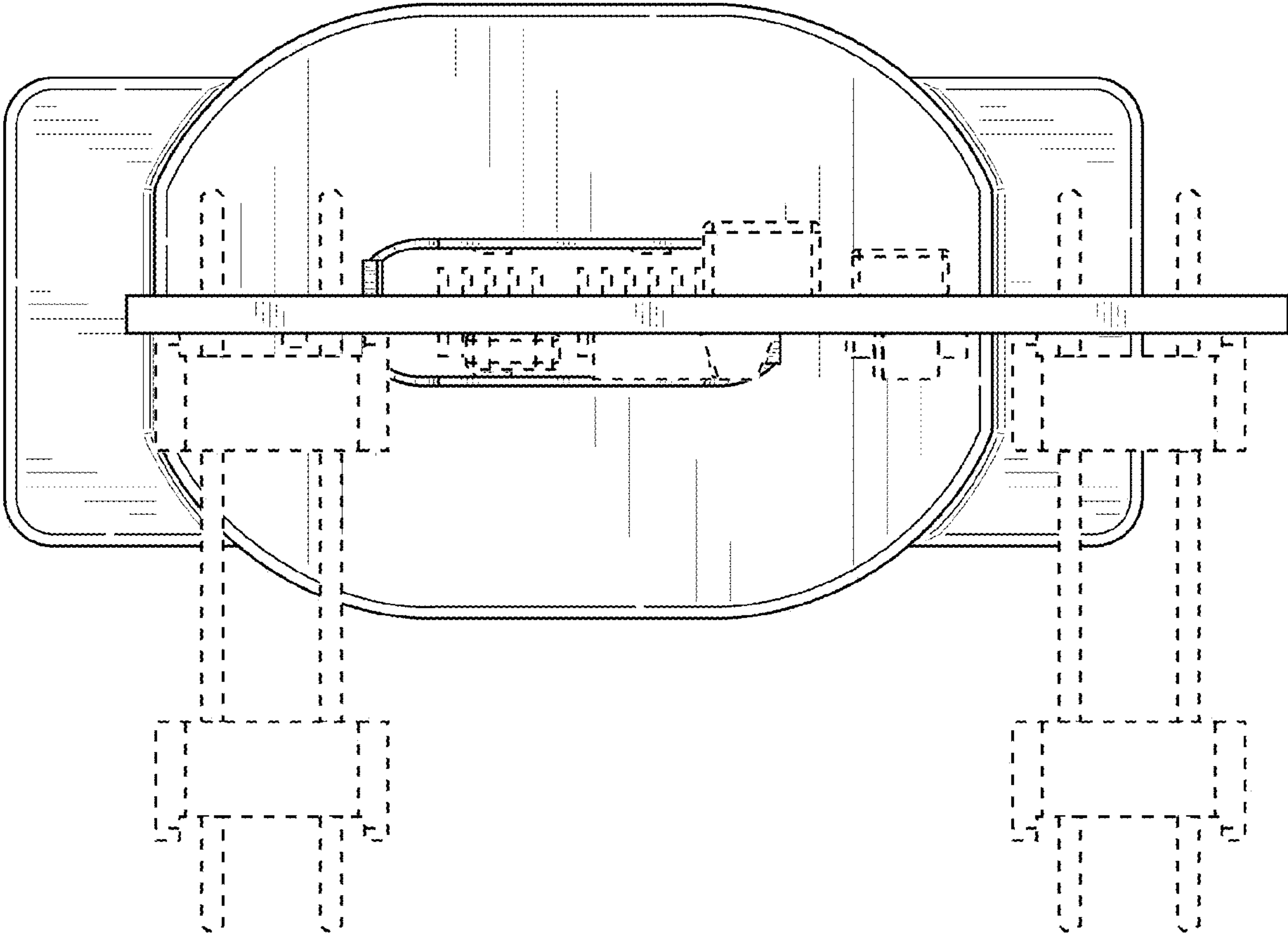


FIG. 10

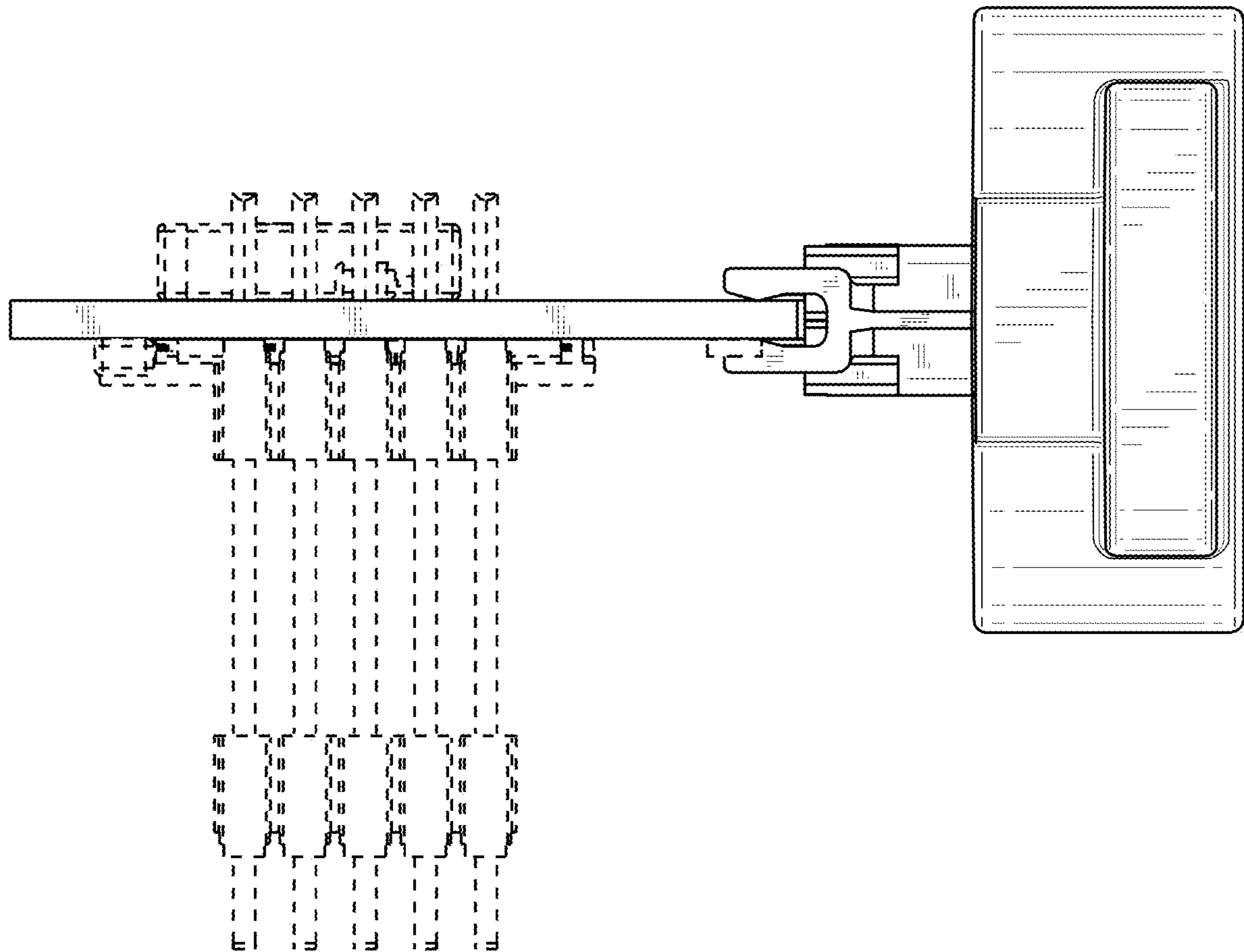


FIG. 11

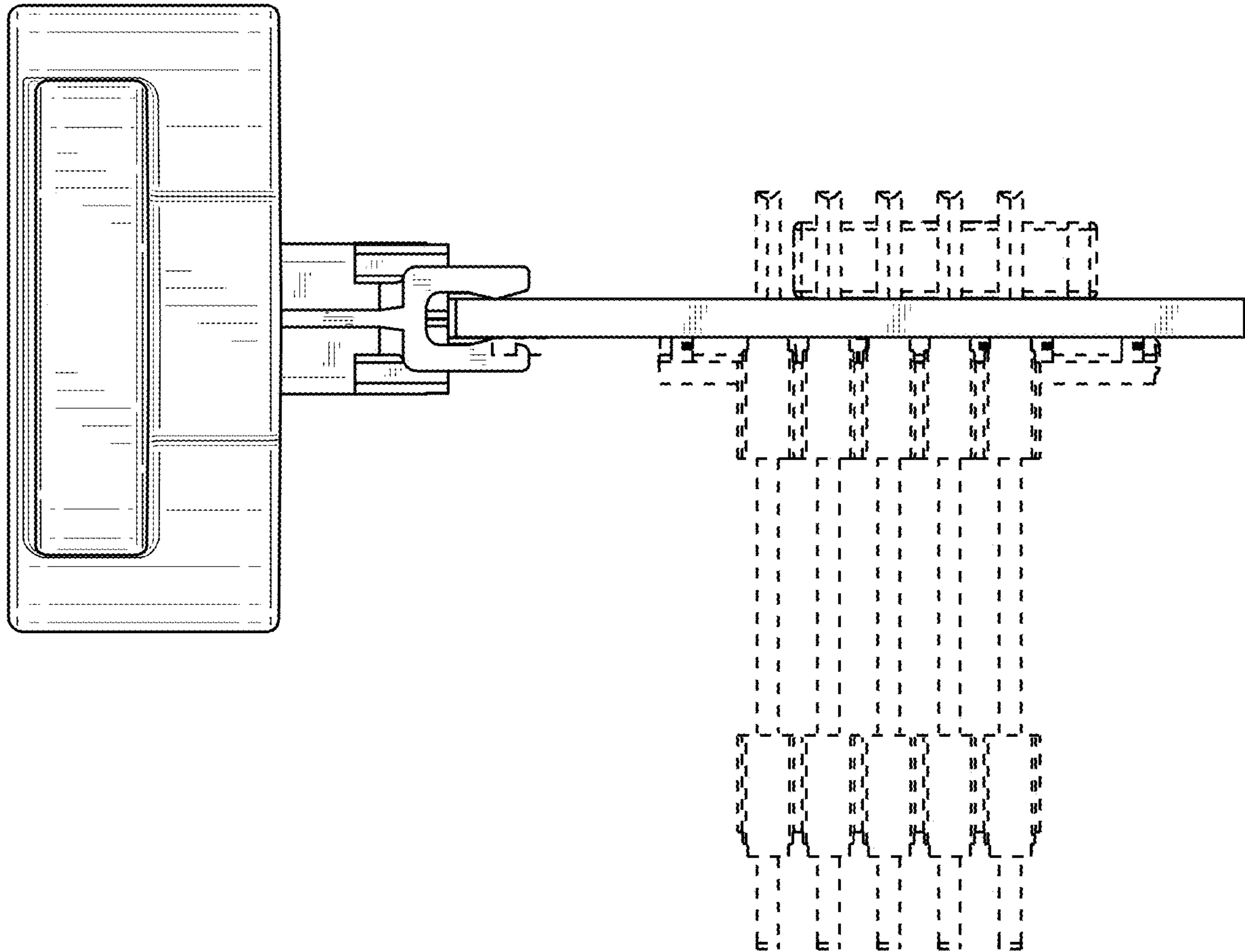


FIG. 12

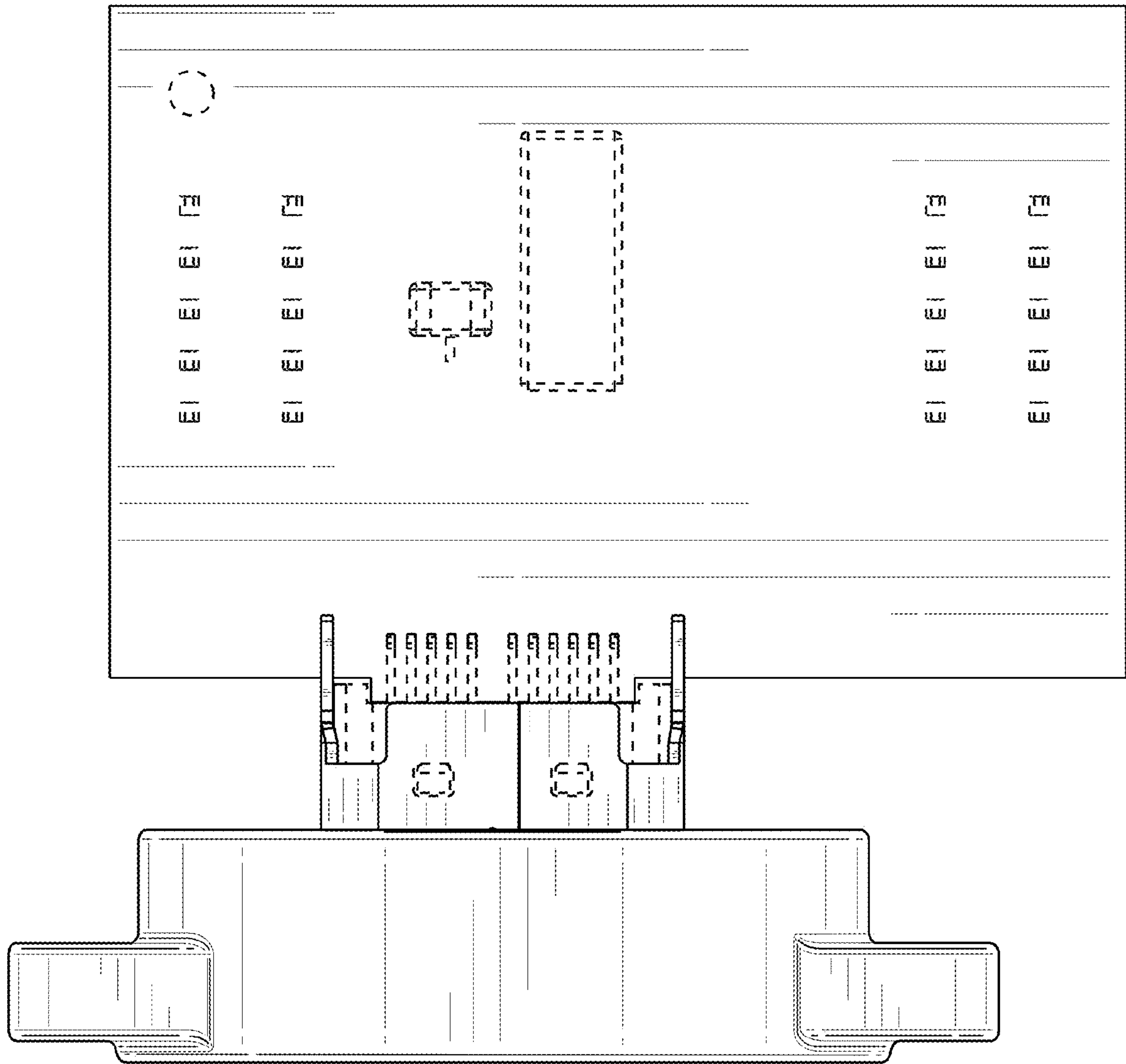


FIG. 13

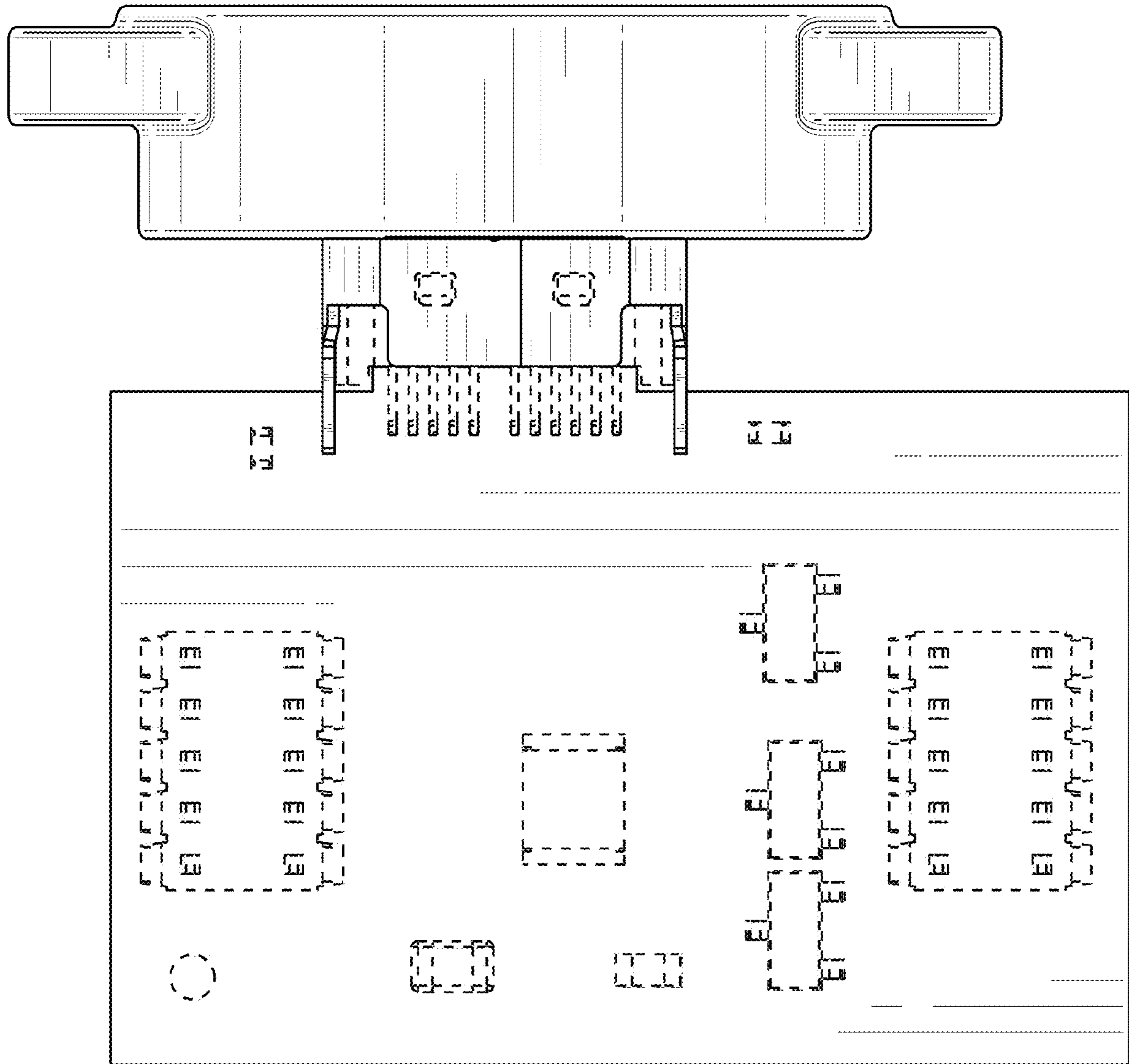


FIG. 14