

US00D967026S

(12) **United States Design Patent**  
**Huang**

(10) **Patent No.:** **US D967,026 S**  
(45) **Date of Patent:** **\*\* Oct. 18, 2022**

(54) **POWER MOUNTING BLOCK**

(71) Applicant: **Wei Huang**, Heyuan (CN)

(72) Inventor: **Wei Huang**, Heyuan (CN)

(\*\*) Term: **15 Years**

(21) Appl. No.: **29/806,681**

(22) Filed: **Sep. 6, 2021**

(51) **LOC (13) Cl.** ..... **13-02**

(52) **U.S. Cl.**  
USPC ..... **D13/120; D13/133**

(58) **Field of Classification Search**  
USPC ..... D13/103, 107, 118–120, 123, 133, 147,  
D13/158–161, 173, 178, 180, 182–184,  
D13/199; D15/5  
CPC ..... H01H 2085/209; H01H 85/20; H01H  
50/546; H01H 9/24; H01H 9/223; H01H  
9/443; H01R 9/24; H01R 4/2408; H01R  
4/2433; H01R 4/30; H01R 4/42; H01M  
50/308; H02G 3/08; H05K 5/04  
See application file for complete search history.

(56) **References Cited**

**U.S. PATENT DOCUMENTS**

3,002,044	A *	9/1961	Scoville	.....	H05K 5/04 220/4.28
D210,880	S *	4/1968	Backler	.....	D13/119
D247,031	S *	1/1978	Cocuzzo	.....	D13/160
D302,421	S *	7/1989	Ichitsubo	.....	D13/133
4,846,721	A *	7/1989	Debruycker	.....	H01R 9/24 439/411
4,993,966	A *	2/1991	Levy	.....	H01R 4/2433 439/411
D331,411	S *	12/1992	Kassouni	.....	D15/5
D453,141	S	1/2002	Watanabe et al.		
D453,142	S	1/2002	Watanabe et al.		
D467,872	S *	12/2002	Yeh	.....	D13/133
D577,674	S *	9/2008	Long	.....	D13/133

D645,821	S *	9/2011	Masumoto	.....	D13/133
D916,039	S *	4/2021	Yamanaka	.....	D13/182
2011/0124240	A1 *	5/2011	Savant	.....	H01R 9/223 439/722
2012/0175345	A1 *	7/2012	Tachikawa	.....	H01H 9/443 218/26

**OTHER PUBLICATIONS**

Skywalker, Date: Sep. 8, 2009, [online], [site visited Aug. 11, 2022]. Available from internet, URL: <https://www.amazon.com/Skywalker-Signature-Aluminum-Ground-Listed/dp/B0195V3UBK> (Year: 2009).\*  
Alitools, Date: Dec. 21, 2018, [online], [site visited Aug. 11, 2022]. Available from internet, URL: <https://alitools.io/en/showcase/2pcs-pack-pcb-mount-1-position-stereo-audio-video-jack-rca-female-connector-two-hole-w-r-rca-207-golden-32856028997> (Year: 2018).\*

\* cited by examiner

*Primary Examiner* — Shawn T Gingrich

*Assistant Examiner* — Bryan N. Melvin

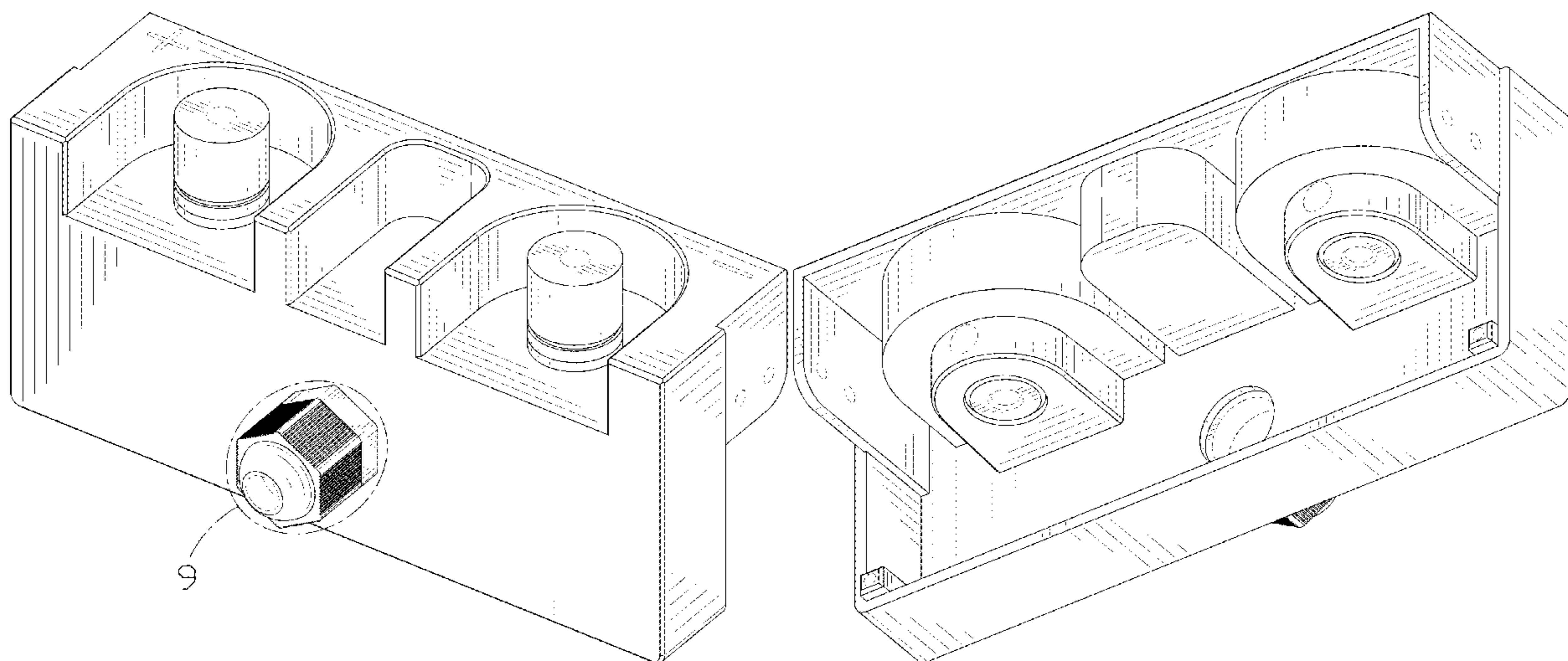
(57) **CLAIM**

The ornamental design for a power mounting block, as shown and described.

**DESCRIPTION**

FIG. 1 is a perspective view of a power mounting block showing my new design; FIG. 2 is another perspective view thereof; FIG. 3 is a front elevational view thereof; FIG. 4 is a rear elevational view thereof; FIG. 5 is a left side elevational view thereof; FIG. 6 is a right side elevational view thereof; FIG. 7 is a top plan view thereof; FIG. 8 is a bottom plan view thereof; and, FIG. 9 is an enlarged view of portion 9 shown in FIG. 1. The dash-dash broken lines in the drawings depict portions of the power mounting block that form no part of the claimed design. The dot-dash broken lines represent boundaries of the enlarged portion and form no part of the claimed design.

**1 Claim, 9 Drawing Sheets**



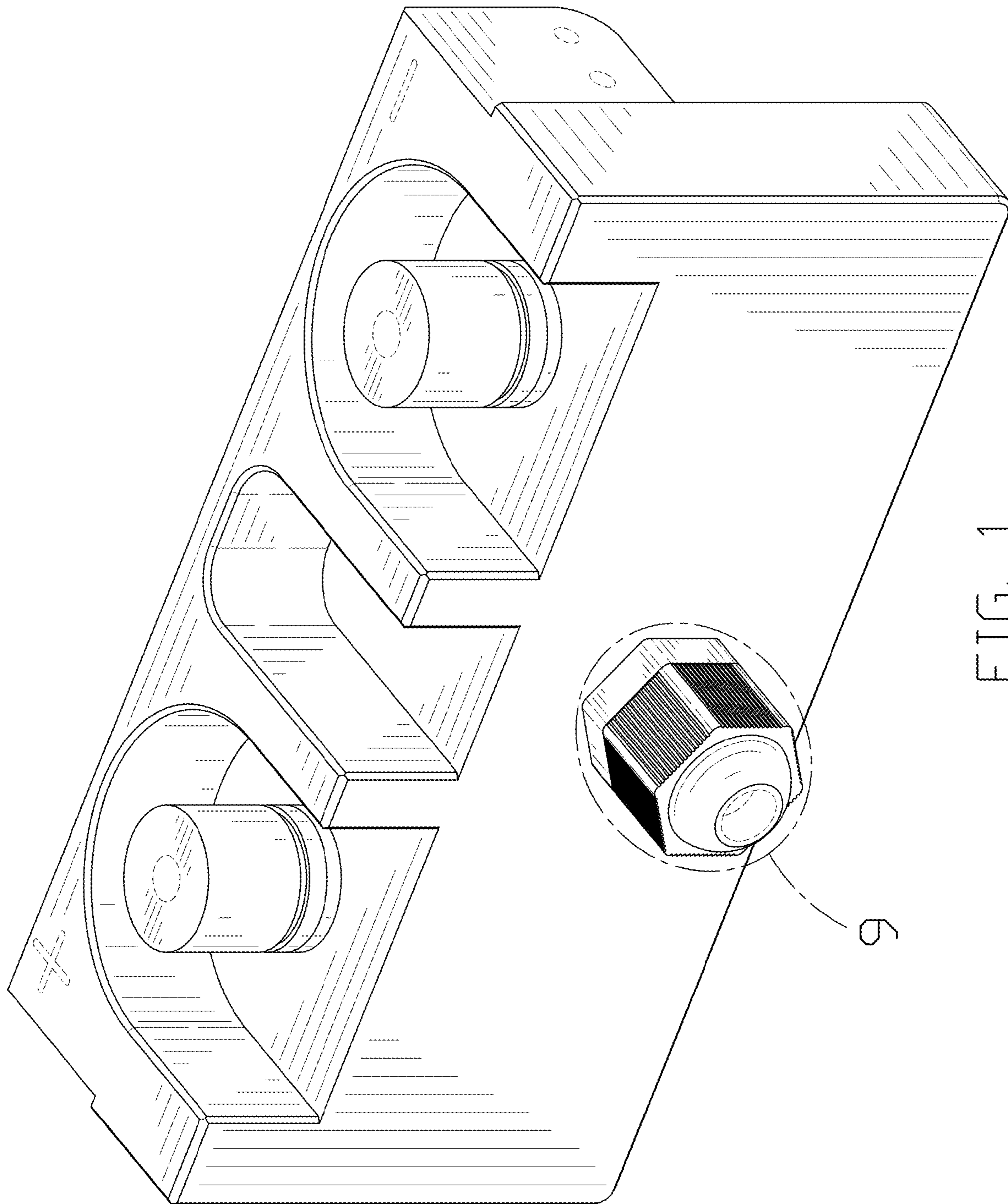


FIG. 1

9



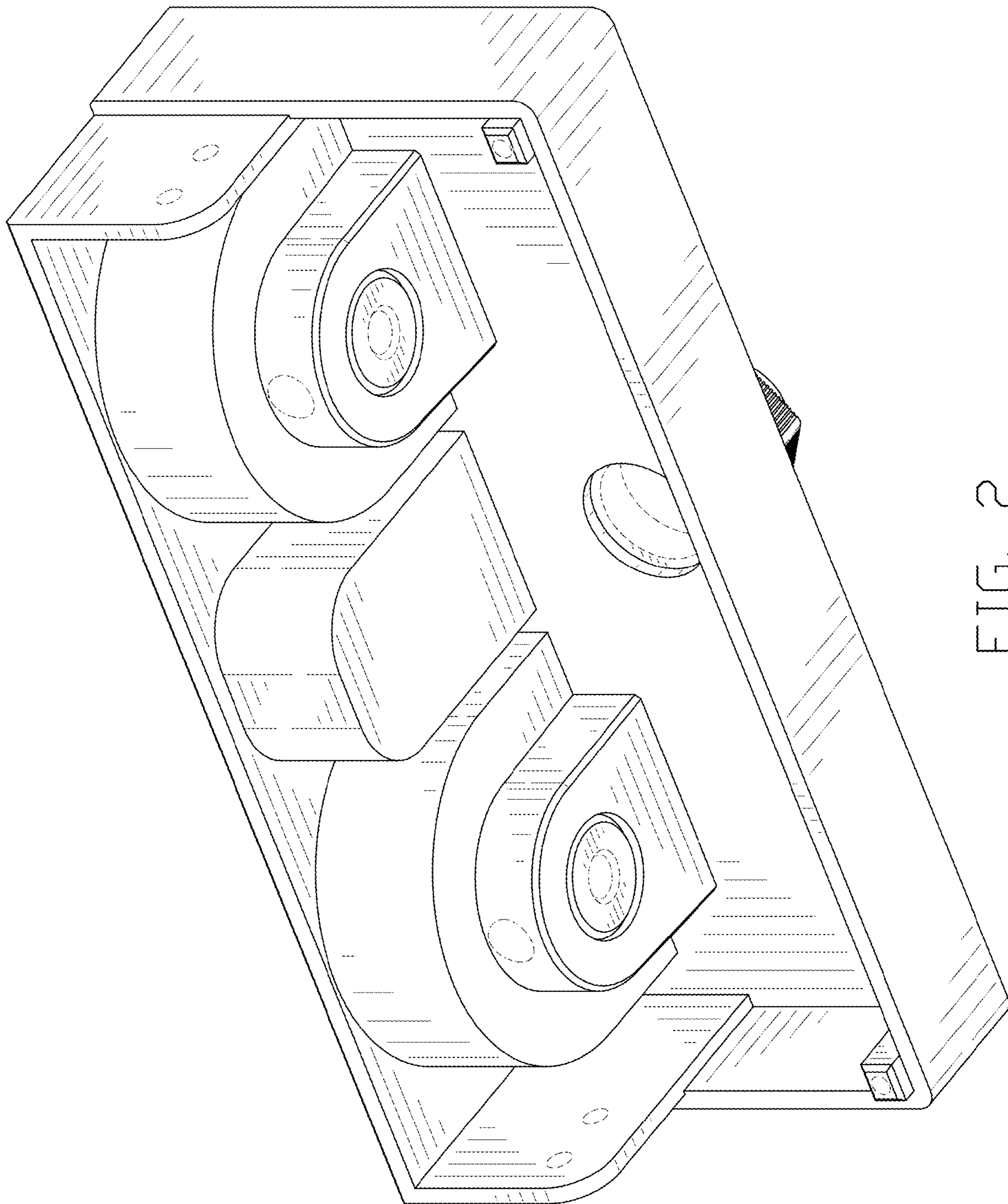


FIG. 2

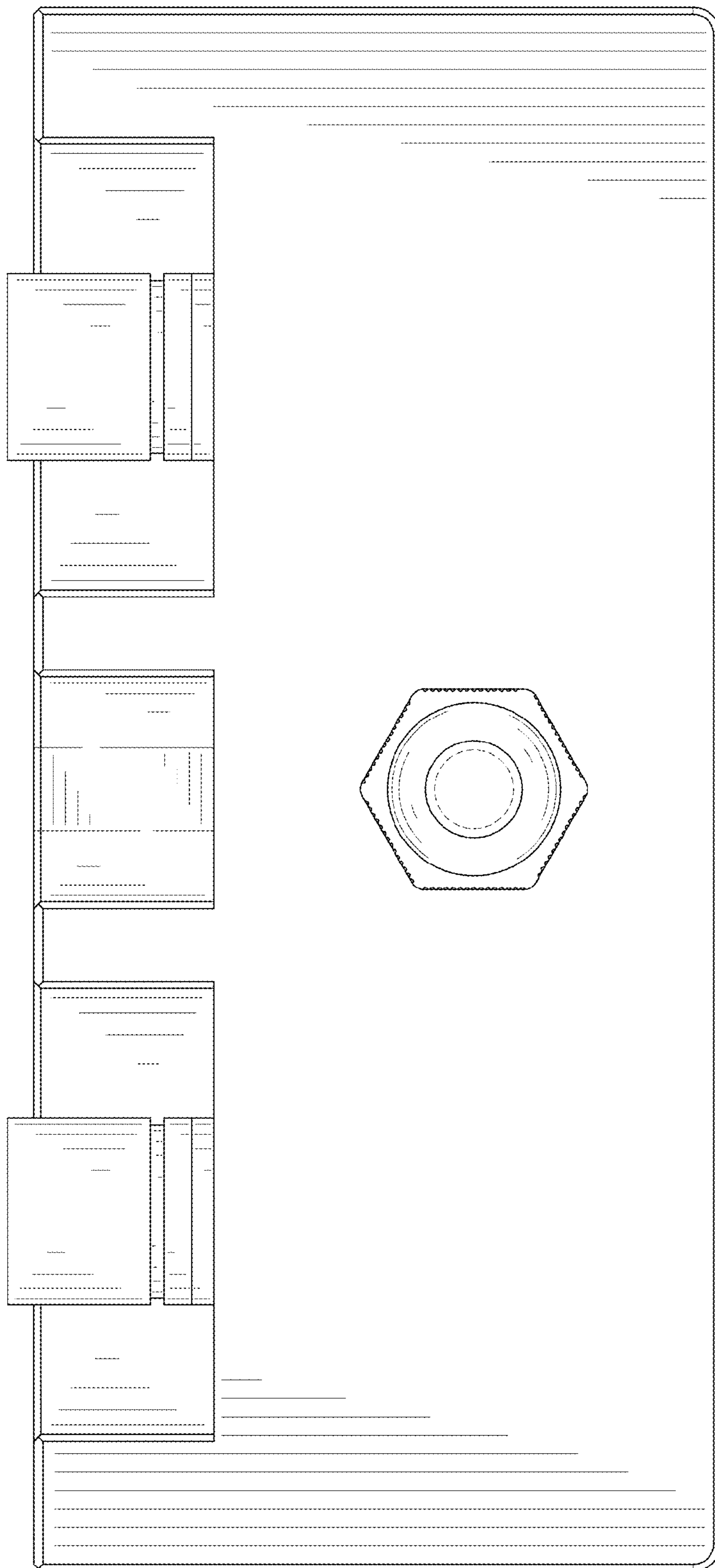


FIG. 3

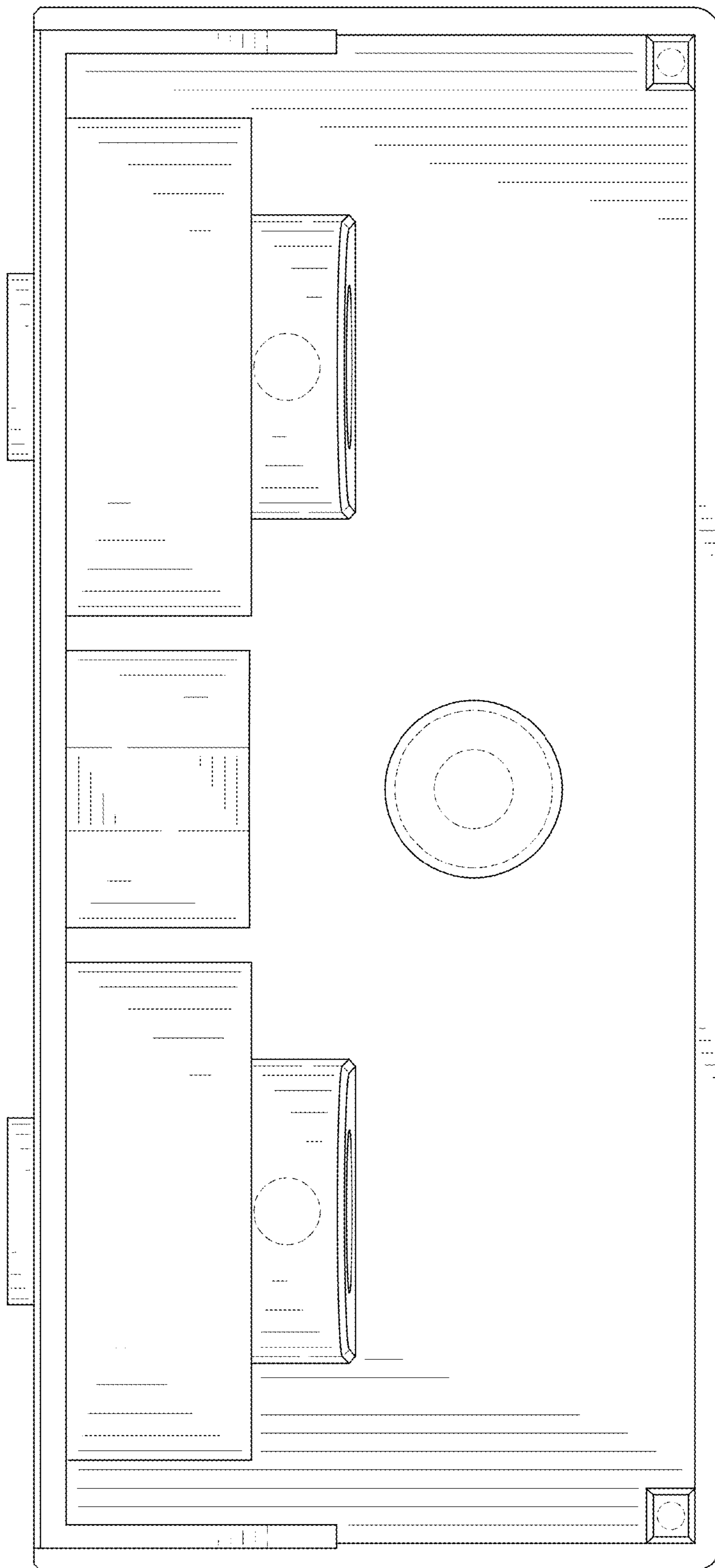


FIG. 4

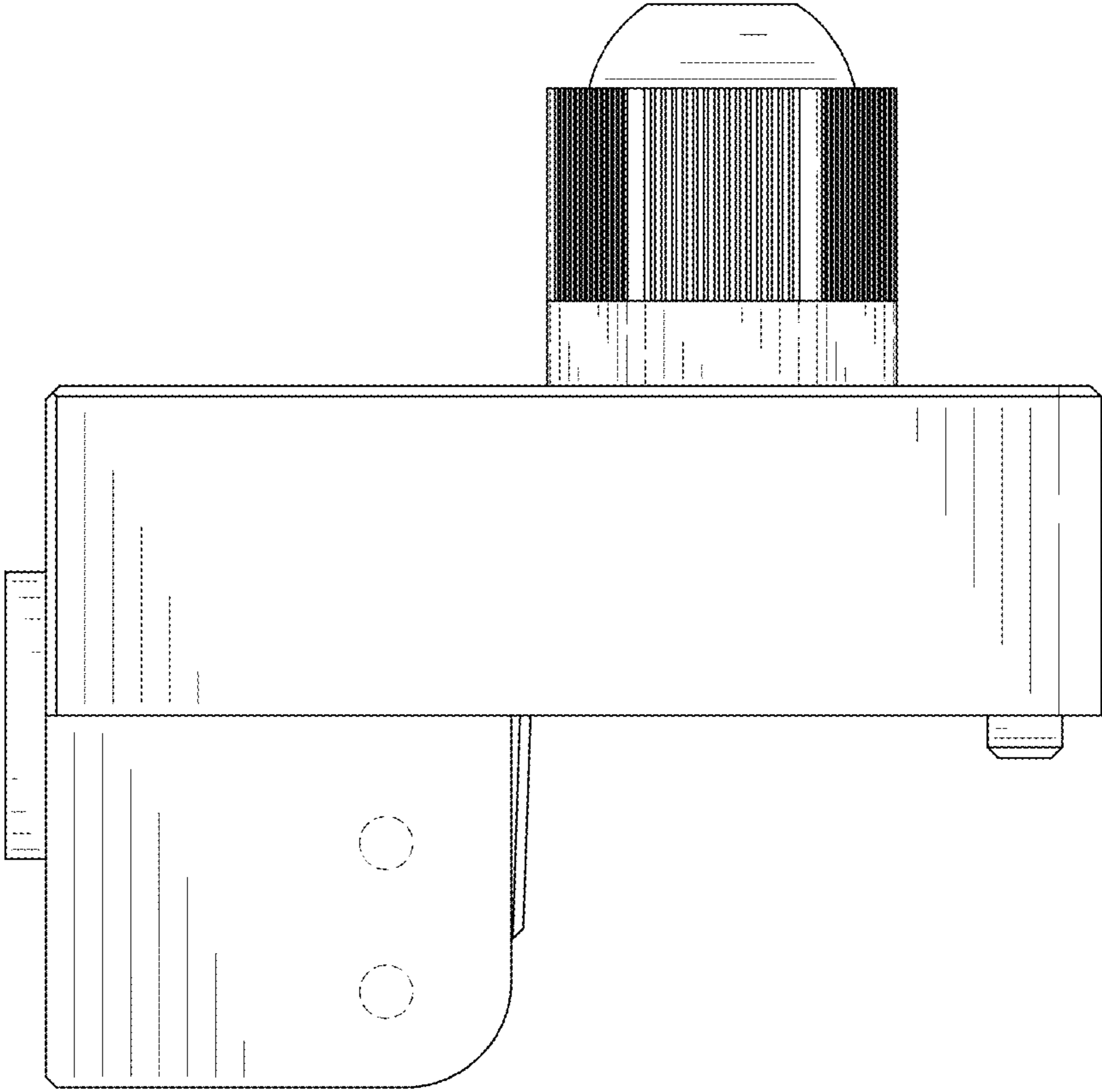


FIG. 5

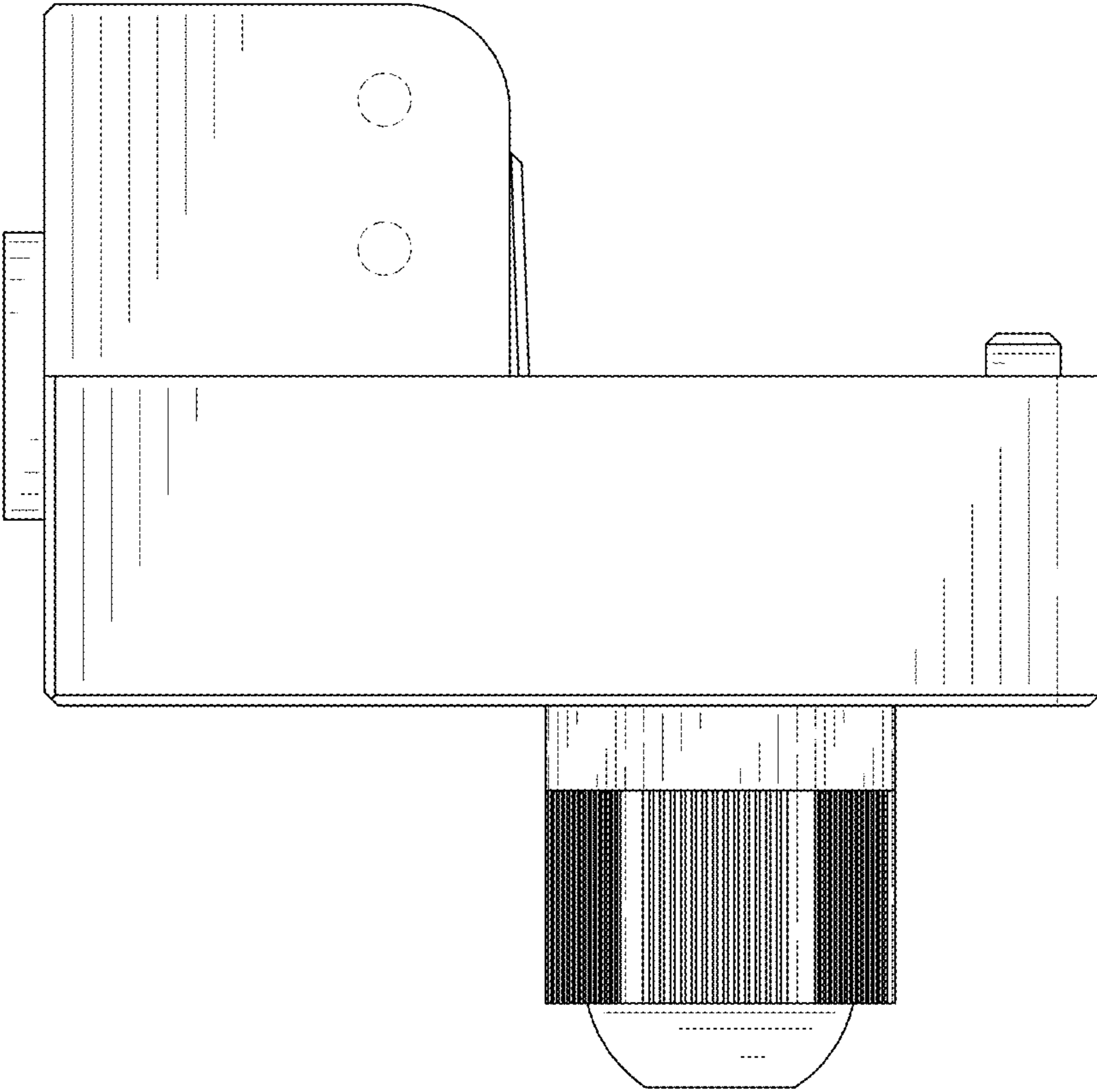


FIG. 6

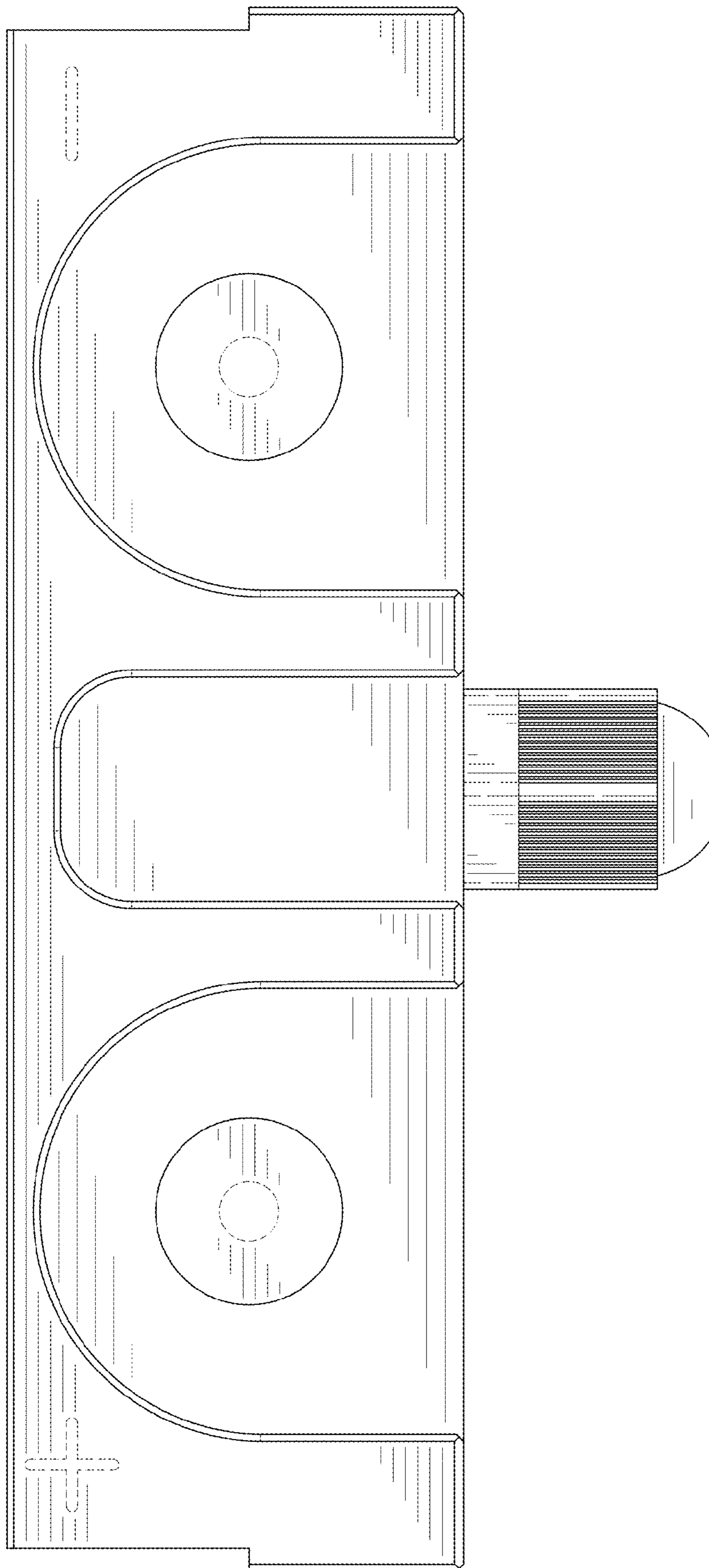


FIG. 7



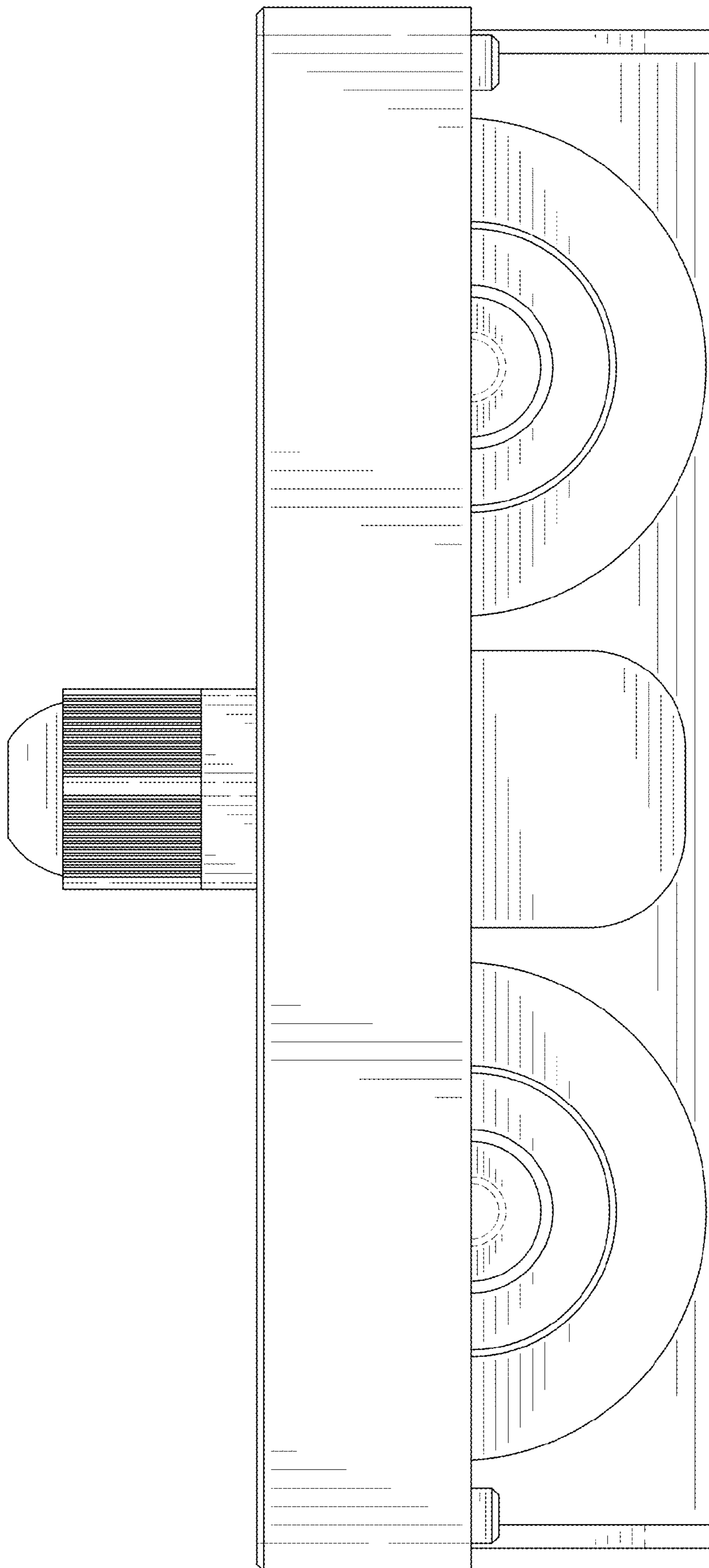


FIG. 8

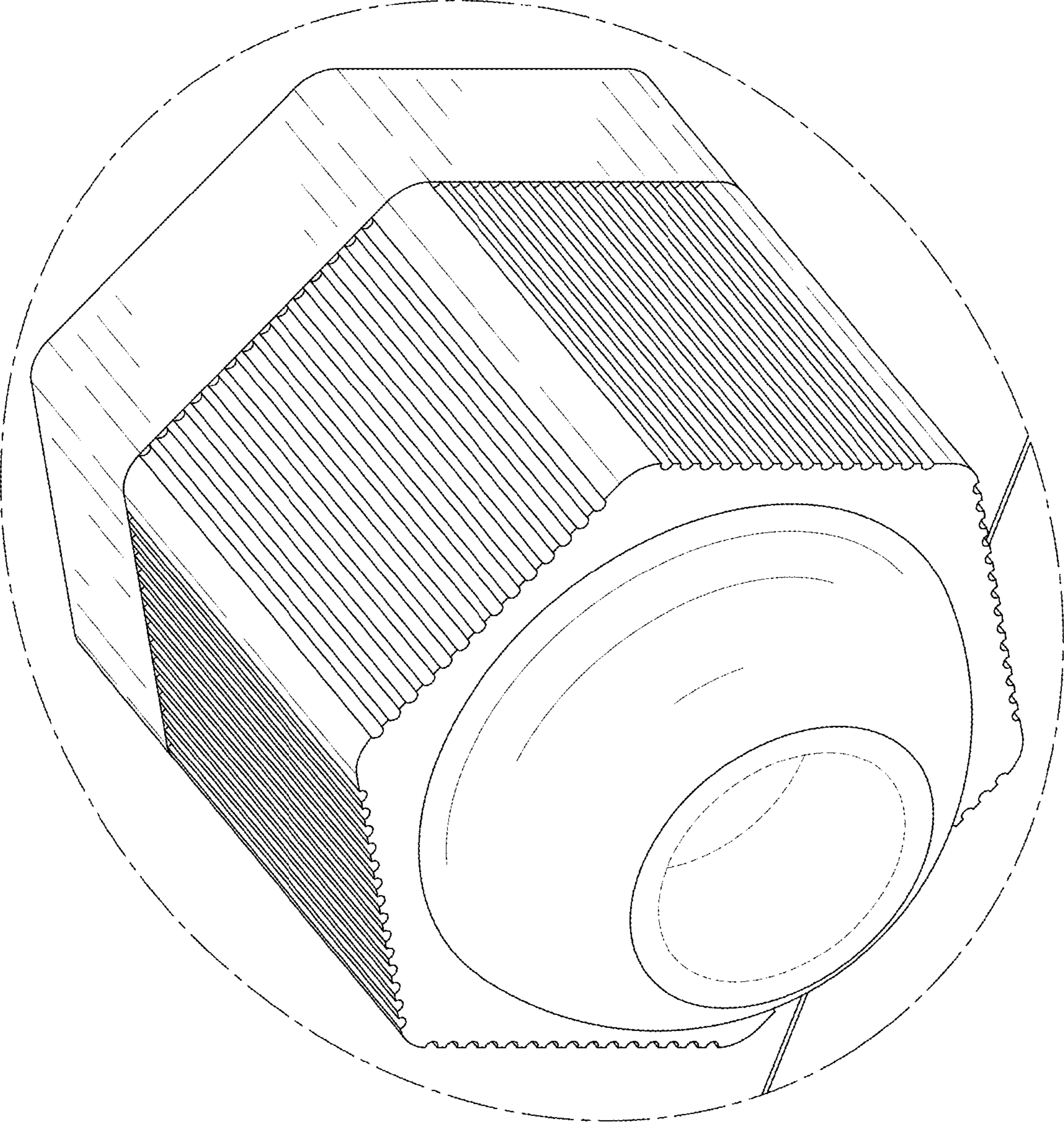


FIG. 9