

US00D967024S

(12) **United States Design Patent** (10) **Patent No.:** **US D967,024 S**
Wu et al. (45) **Date of Patent:** **** Oct. 18, 2022**

(54) **ADAPTER**

(71) Applicant: **Anker Innovations Technology Co. Ltd.**, Changsha (CN)

(72) Inventors: **Xiangpeng Wu**, Shenzhen (CN); **Bochao Yang**, Shenzhen (CN); **Shuo Yang**, Shenzhen (CN)

(73) Assignee: **Anker Innovations Technology Co., Ltd.**, Changsha (CN)

(**) Term: **15 Years**

(21) Appl. No.: **29/774,895**

(22) Filed: **Mar. 19, 2021**

(30) **Foreign Application Priority Data**

Sep. 28, 2020 (CN) 202030583471.6

(51) **LOC (13) Cl.** **13-02**

(52) **U.S. Cl.**
USPC **D13/110**

(58) **Field of Classification Search**
USPC ... D13/123, 133, 137.1, 137.2, 137.3, 137.4, D13/138.1, 138.2, 139.1, 139.2, 139.3, D13/139.4, 139.5, 139.6, 139.7, 139.8, D13/151, 152, 153, 154, 155, 156, 157, D13/158, 159, 184, 199, 103, 107, 108
CPC H01R 13/00; H01R 13/03; H01R 13/04; H01R 13/10; H01R 13/35; H01R 13/44; H01R 13/453; H01R 13/4534; H01R 13/502; H01R 13/514; H01R 13/631; H01R 13/639; H01R 13/6633; H01R 13/6666; H01R 13/6675; H01R 13/7135; H01R 31/02; H01R 31/06; H01R 31/065

See application file for complete search history.

(56) **References Cited**

U.S. PATENT DOCUMENTS

D576,552 S * 9/2008 Caine D13/137.2
D587,192 S * 2/2009 McGinley D13/110
D587,193 S * 2/2009 McGinley D13/110

(Continued)

FOREIGN PATENT DOCUMENTS

GB 2089850 * 3/2000
GB 2089851 * 3/2000 13/3

(Continued)

OTHER PUBLICATIONS

“Anker USB C Charger 20W, 511 Charger (Nano Pro), PIQ 3.0 Durable Compact Fast Charger, Anker Nano Pro for iPhone 13/13 Mini/13 Pro/13 Pro Max/12, Galaxy, Pixel 4/3, iPad/iPad mini (Cable Not Included)”, first available Jul. 14, 2021. Amazon.com [https://www.amazon.com/dp/B099F2H5KH] (Year: 2021).*

(Continued)

Primary Examiner — Rosemary K Tarcza

Assistant Examiner — Seth David Kumpf

(74) *Attorney, Agent, or Firm* — Banner & Witcoff, Ltd.

(57) **CLAIM**

The ornamental design for an adapter, as shown and described.

DESCRIPTION

FIG. 1 is a front perspective view of an adapter showing our new design;

FIG. 2 is a front view thereof;

FIG. 3 is a cross-sectional view taken along line 3-3 of FIG. 2;

FIG. 4 is a cross-sectional view taken along line 4-4 of FIG. 2;

(Continued)

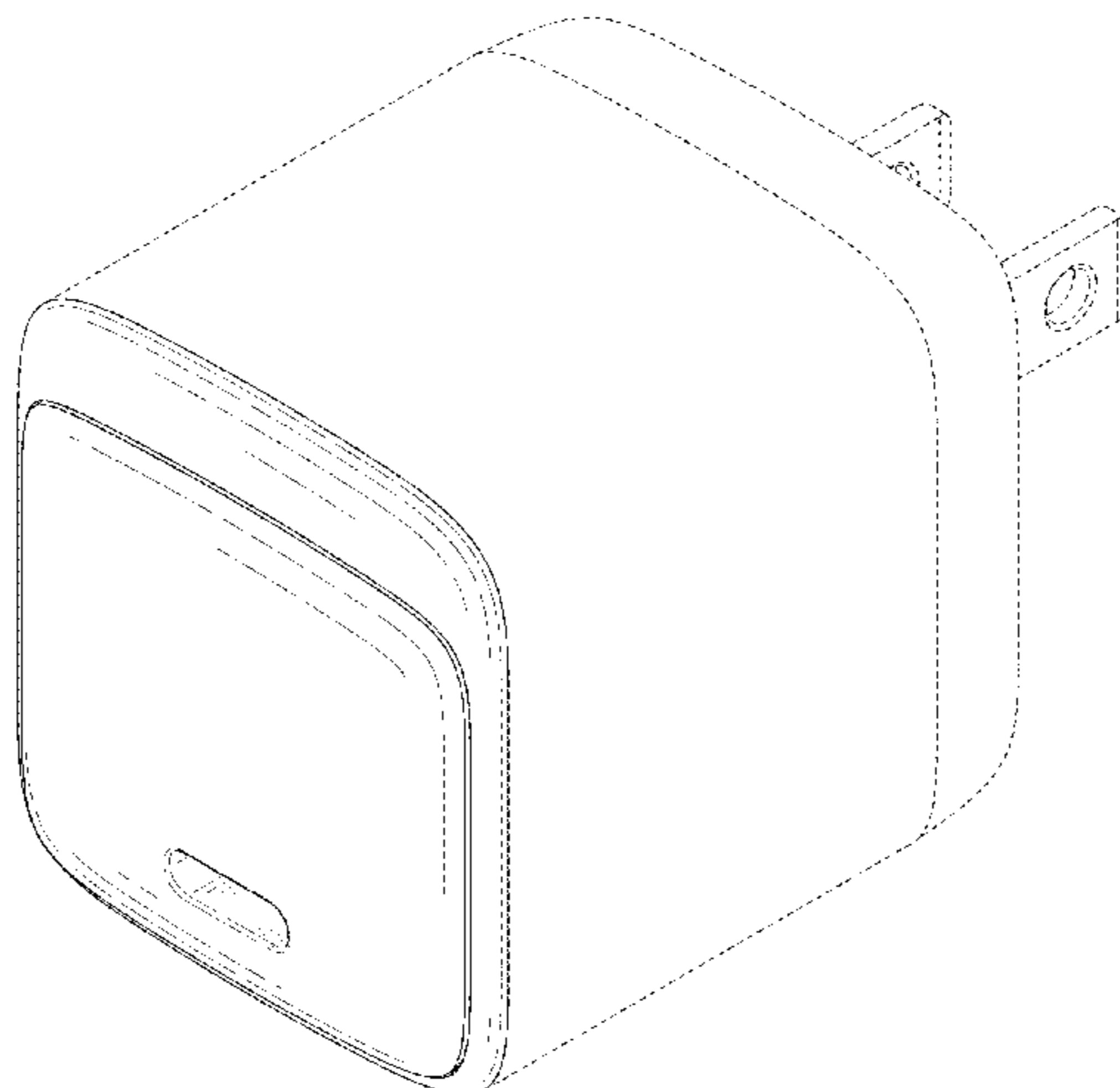


FIG. 5 is a front perspective view an adapter shown in an alternative embodiment; and, FIG. 6 is a front view thereof. The broken lines shown in the drawings illustrate portions of the adapter that form no part of the claimed design.

1 Claim, 6 Drawing Sheets

D867,295 S *	11/2019	Shaopeng	D13/137.2
D867,989 S *	11/2019	Akana	D13/110
D874,400 S *	2/2020	Akana	D13/110
D909,305 S *	2/2021	Shaopeng	D13/137.2
D909,307 S *	2/2021	Shaopeng	D13/137.2
D914,596 S *	3/2021	Akana	D13/110
D928,705 S *	8/2021	Akana	D13/110
D928,706 S *	8/2021	Akana	D13/110
D929,328 S *	8/2021	Akana	D13/110
D934,801 S *	11/2021	Akana	D13/110
D948,436 S *	4/2022	Peng	D13/110

(56)

References Cited

U.S. PATENT DOCUMENTS

D610,992 S *	3/2010	Fahrendorff	D13/138.1
D611,415 S *	3/2010	Andre	D13/108
D642,524 S *	8/2011	Fitch	D13/110
D663,267 S *	7/2012	Kim	D13/110
D669,434 S *	10/2012	Kim	D13/110
D683,314 S *	5/2013	Andre	D13/108
D693,299 S *	11/2013	Zaslavsky	D13/110
D711,823 S *	8/2014	Akana	D13/110
D733,053 S *	6/2015	Greig	D13/133
D734,259 S *	7/2015	Cepress	D13/110
D740,751 S *	10/2015	Akana	D13/110
D758,312 S *	6/2016	Lin	D13/137.2
D763,190 S *	8/2016	Akana	D13/110
D778,835 S *	2/2017	Akana	D13/110
D793,339 S *	8/2017	Dicks	D13/139.1
D799,422 S *	10/2017	Chen	D13/110
D808,904 S *	1/2018	Koenig	D13/110
D819,566 S *	6/2018	Hung	D13/110
D826,858 S *	8/2018	Little	D13/137.2
D826,859 S *	8/2018	Little	D13/137.2
D867,286 S *	11/2019	Akana	D13/110
D867,287 S *	11/2019	Akana	D13/110

FOREIGN PATENT DOCUMENTS

GB	2093438	*	6/2000
HK	0010233-0001	*	4/2000

OTHER PUBLICATIONS

“iPhone 12 Charger [GaN Tech], Anker 30W Compact USB-C Wall Charger with Power Delivery, PowerPort Atom for iPhone 12 /Mini/Pro/Pro Max /11 / X/XS/XR, iPad Pro, MacBook 12”, Pixel, Galaxy”, first available Nov. 26, 2018. Amazon.com [https://www.amazon.com/dp/B07DFGKFM3] (Year: 2018).*

“iPhone Charger Block, Plug in Phone Charger, Sicodo 4Pack Single Port USB Wall Charger Fast Charging Adapter Cube Box for iPhone 12 SE(2020) 11/11pro/XS/XS Max/XR/X, Samsung Galaxy S21/S20+/10, LG”, first available Apr. 20, 2021. Amazon.com [https://www.amazon.com/dp/B092ZMV9WD] (Year: 2021).*

“Anker 2 Pack New Nylon USB C to USB C Cable (6ft 60W) and Anker Nano II 45W Fast Charger Adapter”, first available Jun. 29, 2021. Amazon.com [https://www.amazon.com/dp/B0987TM2N1] (Year: 2021).*

* cited by examiner

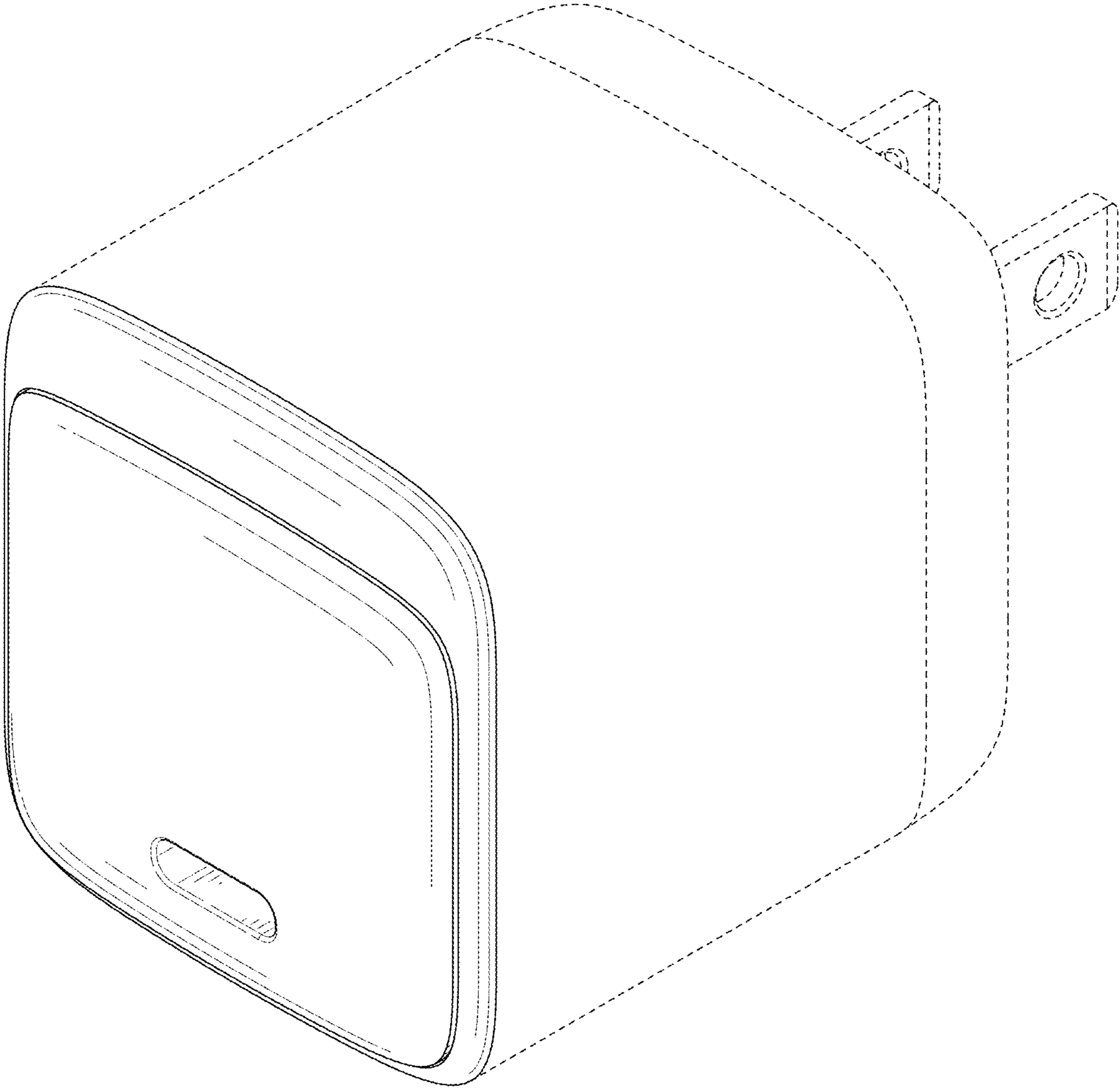


FIG. 1

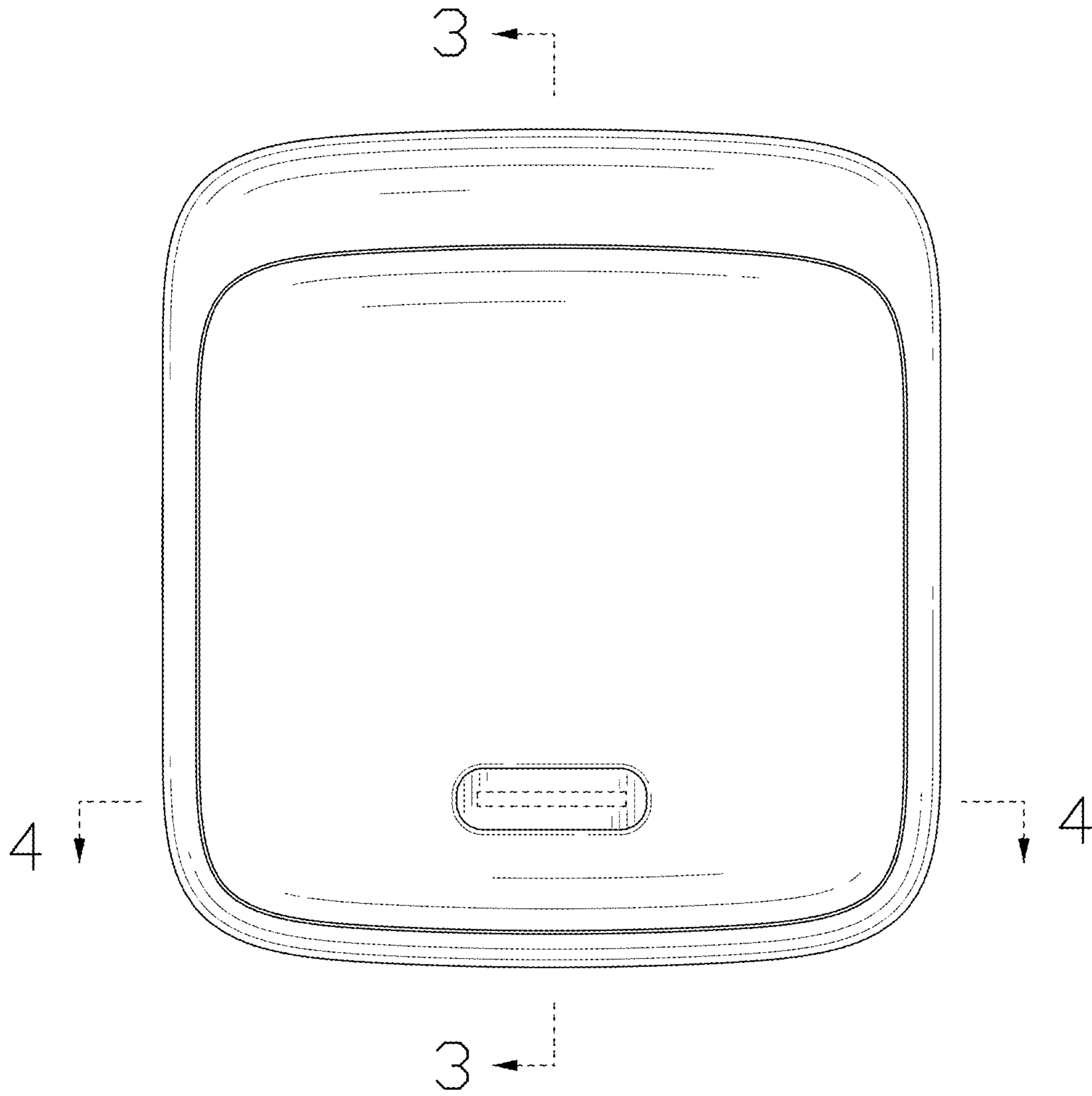


FIG. 2

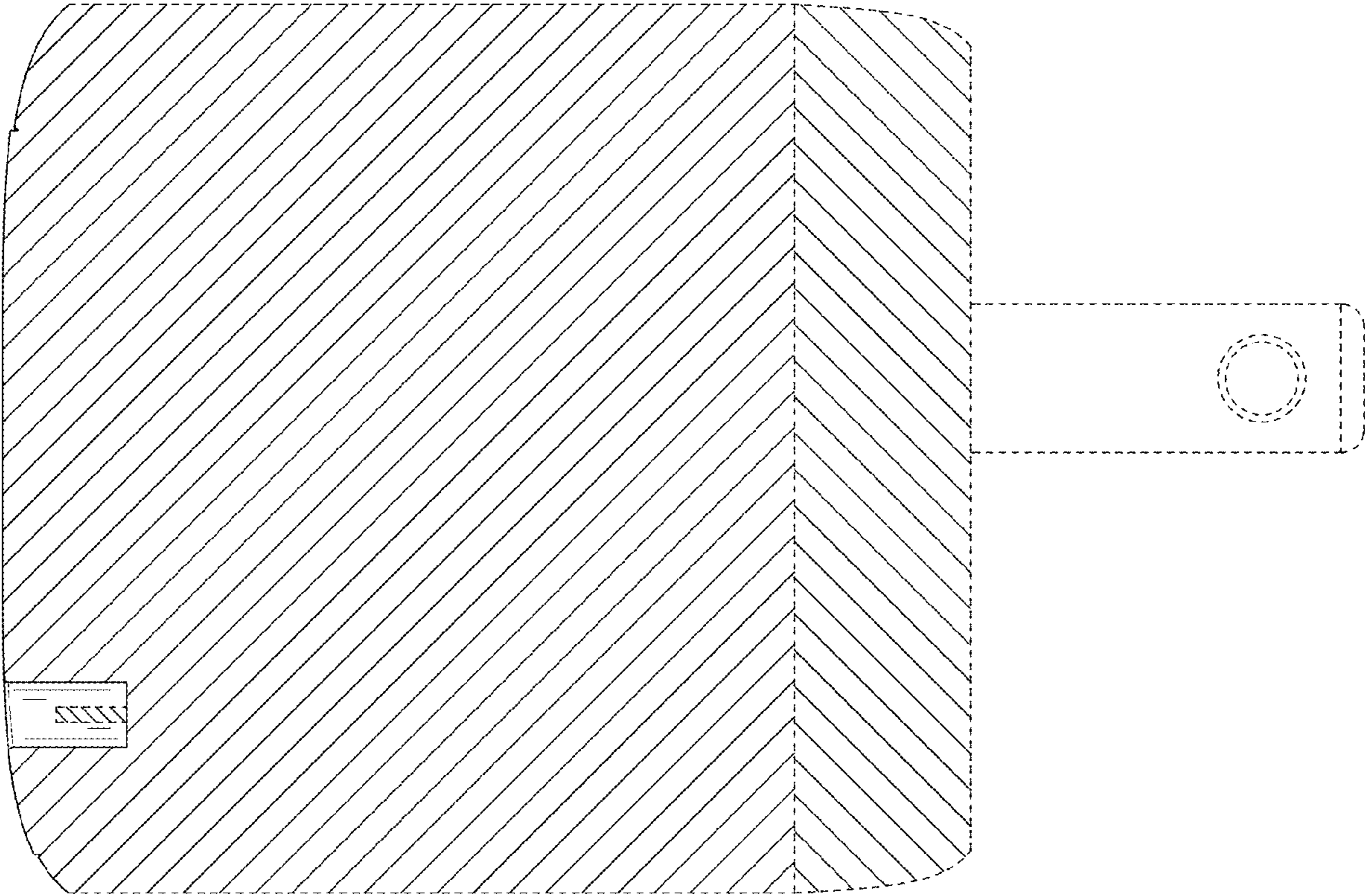


FIG. 3

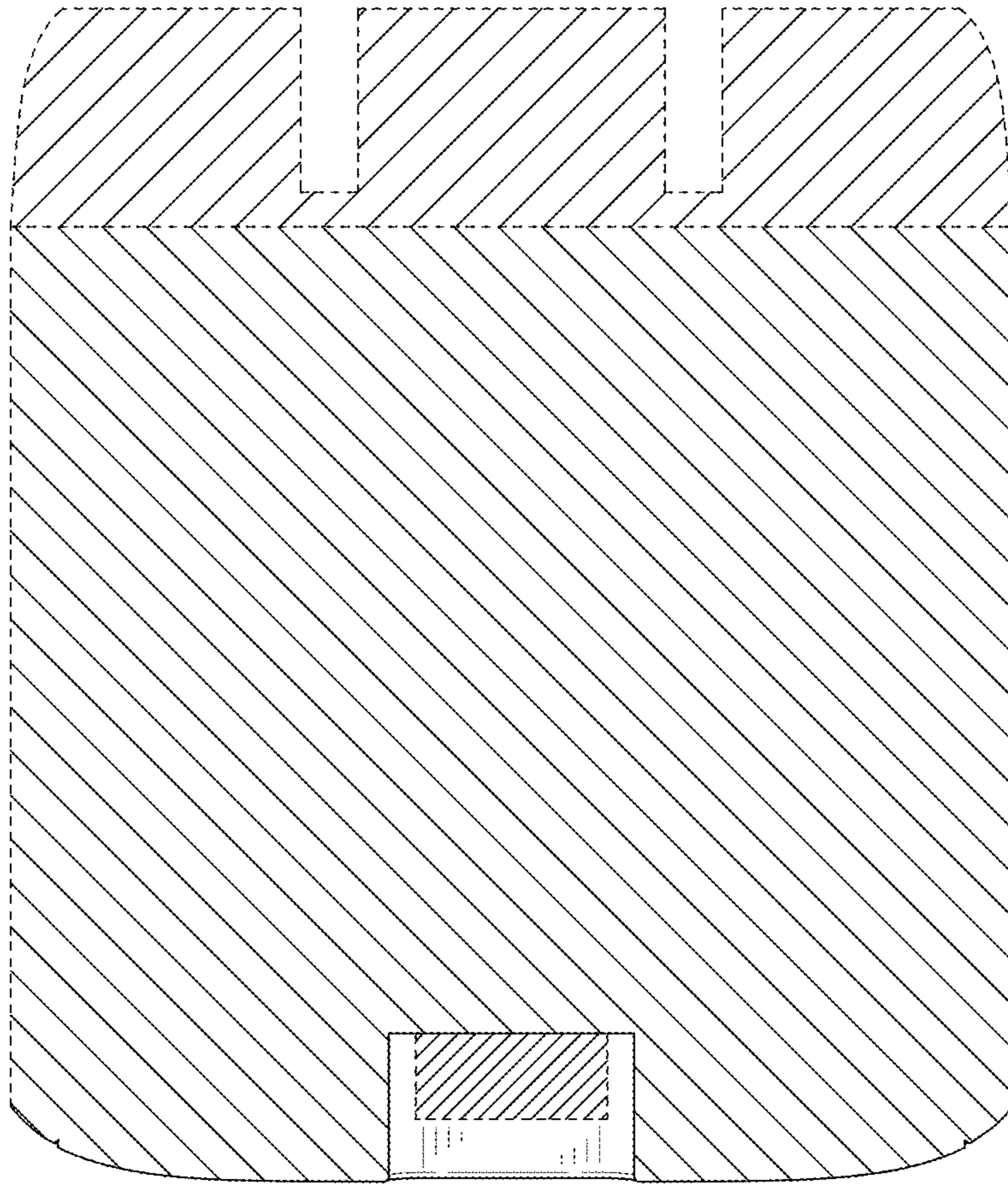


FIG. 4

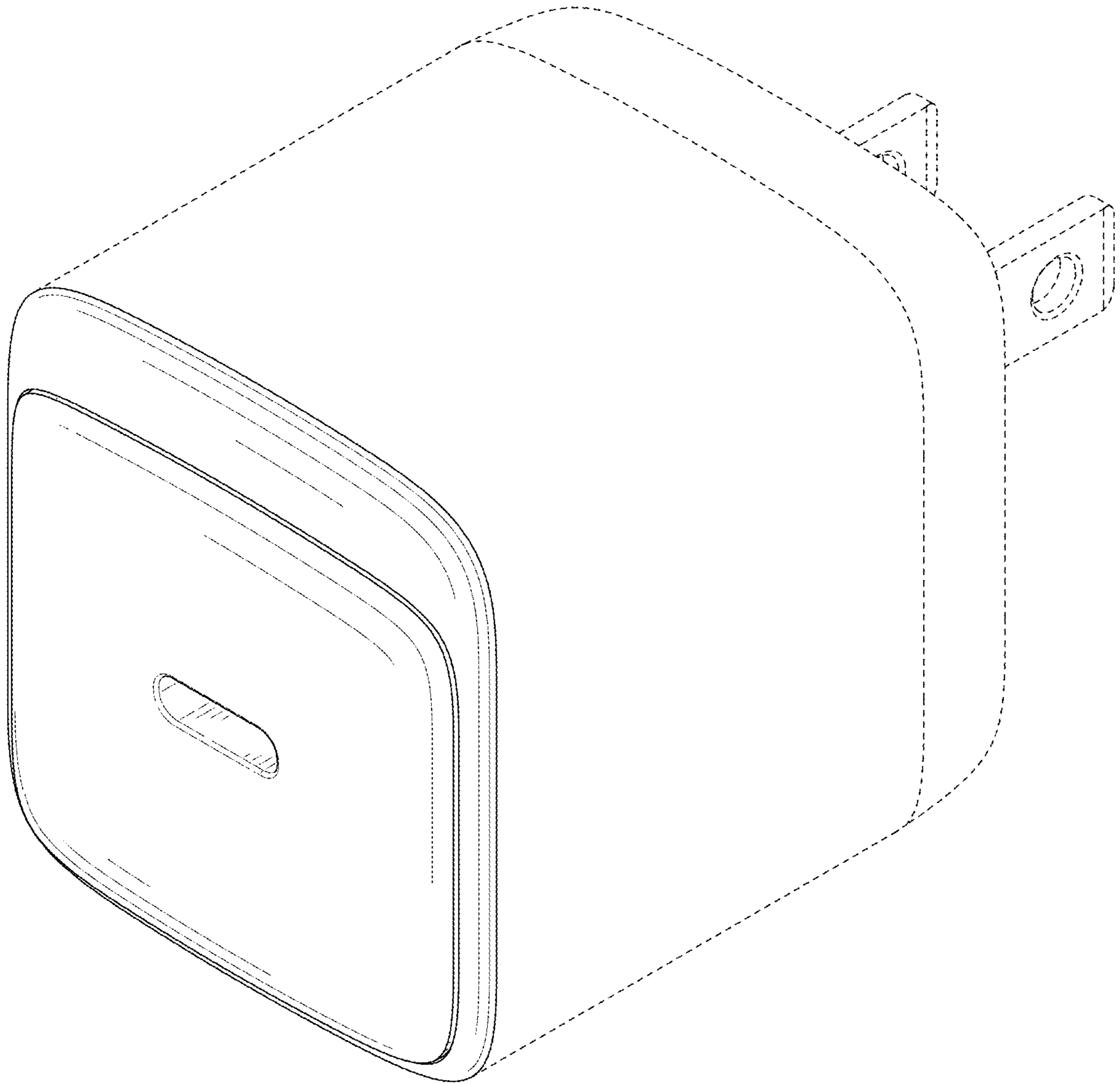


FIG. 5

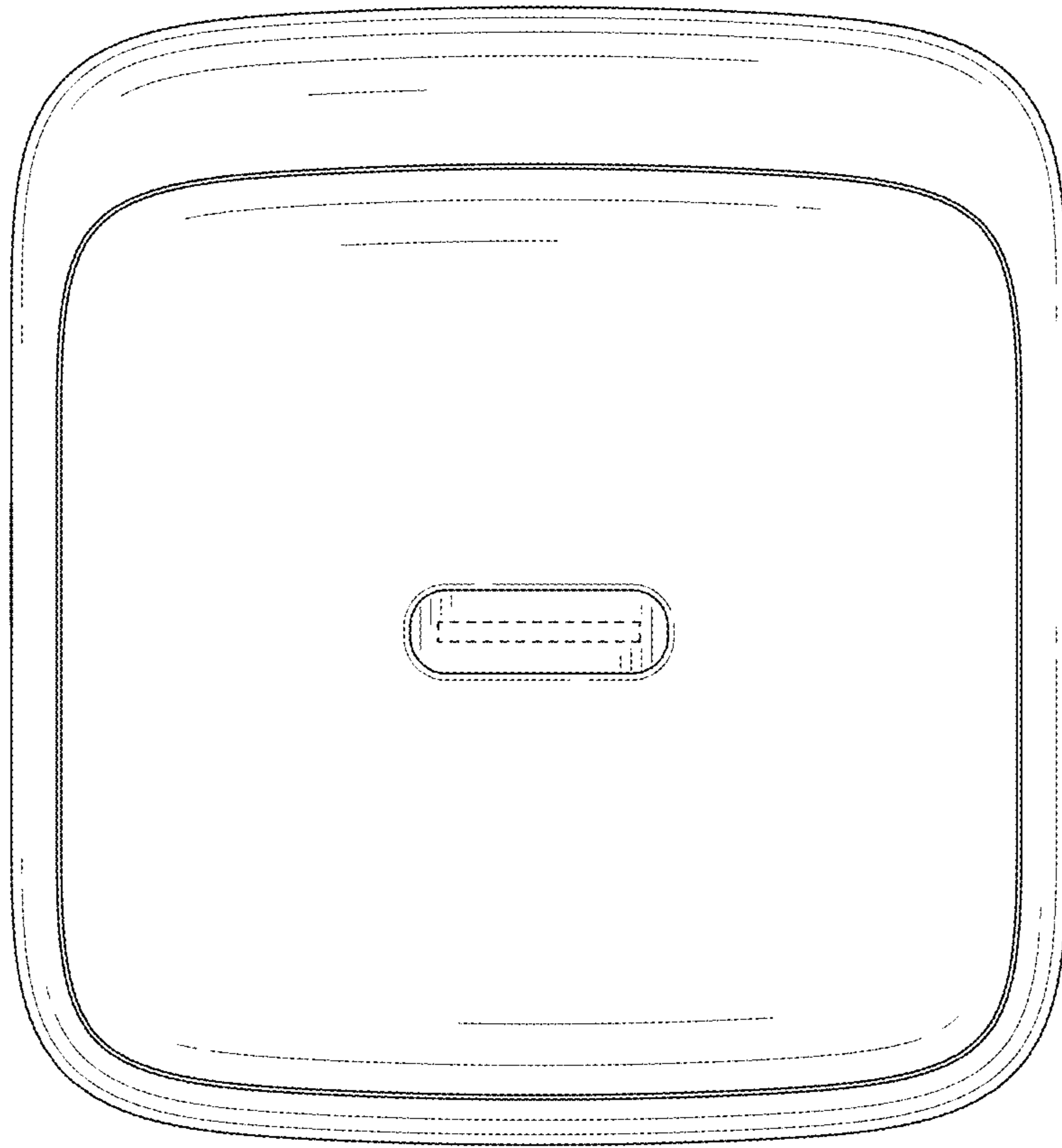


FIG. 6