



US00D967021S

(12) **United States Design Patent** (10) **Patent No.:** **US D967,021 S**
Briggs et al. (45) **Date of Patent:** **** Oct. 18, 2022**

(54) **EARPIECE CHARGING CASE WITH WINDOW**

(71) Applicant: **New Audio, LLC**, New York, NY (US)
(72) Inventors: **Drew Stone Briggs**, Seattle, WA (US);
Nicholas Slaney, Jersey City, NJ (US);
Thomas C. Wilson, Brooklyn, NY (US);
Marten Wallby, Malmo (SE);
Jonathan E. Levine, New York, NY (US)
(73) Assignee: **New Audio LLC**, New York, NY (US)
(**) Term: **15 Years**
(21) Appl. No.: **29/804,190**
(22) Filed: **Aug. 18, 2021**

(56) **References Cited**
U.S. PATENT DOCUMENTS

D552,029 S	10/2007	Kingston et al.	
D553,077 S	10/2007	Kim et al.	
D561,470 S	2/2008	Jalet	
D564,960 S *	3/2008	Sacco	D13/107
D740,223 S	10/2015	Yoneta	
D772,572 S	11/2016	Palmborg et al.	
D774,455 S	12/2016	Kim et al.	
D806,648 S	1/2018	Beedham et al.	
D817,640 S	5/2018	Dang et al.	
D821,970 S *	7/2018	Loermann	D13/107
D829,168 S	9/2018	Massee et al.	
D832,208 S *	10/2018	Grois	D13/108
D839,583 S	2/2019	Cao	
D841,580 S	2/2019	Bao	
D841,581 S	2/2019	Bonahoom et al.	
D851,035 S	6/2019	Hong	
D853,116 S	7/2019	Bergman et al.	
D864,110 S	10/2019	Yoshimura	
D865,663 S	11/2019	Yao	
D870,451 S	12/2019	Birger	

(Continued)

Related U.S. Application Data

(62) Division of application No. 29/681,917, filed on Feb. 28, 2019, now Pat. No. Des. 931,206.
(51) **LOC (13) Cl.** **13-02**
(52) **U.S. Cl.**
USPC **D13/108; D3/294**
(58) **Field of Classification Search**
USPC D13/107-110, 118-119, 184, 199;
D14/251, 253, 432, 434; D3/201, 205,
D3/208, 218, 273, 274, 294
CPC H02J 7/025; H02J 7/005; H02J 7/0026;
H02J 7/0042; H02J 7/0044; H02J 7/0045;
H02J 7/0013; H02J 7/0003; H02J 50/00;
H02J 50/10; H02J 50/12; H02J 50/80;
A45C 2011/001; A45C 2011/002; A45C
2011/003

See application file for complete search history.

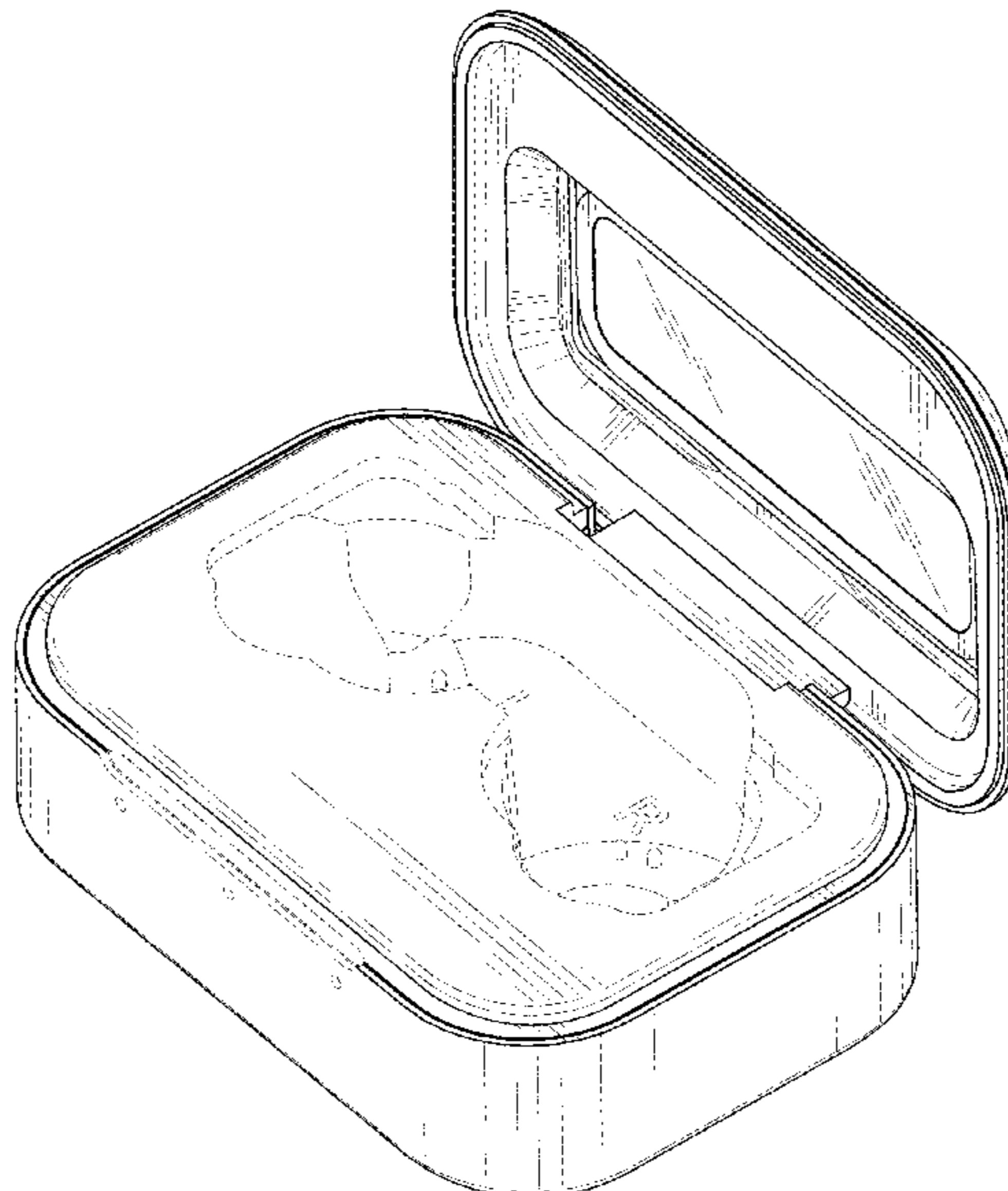
Primary Examiner — Rosemary K Tarcza
(74) *Attorney, Agent, or Firm* — Holzer Patel Drennan

(57) **CLAIM**
The ornamental design for an earpiece charging case with window, as shown and described.

DESCRIPTION

FIG. 1 is a perspective view of an earpiece charging case showing our new design, as viewed from the top and front with the charging case in an open state.
FIG. 2 is a front elevational view thereof.
FIG. 3 is a back elevational view thereof.
FIG. 4 is a right side elevational view thereof.
FIG. 5 is a left side elevational view thereof.
FIG. 6 is a top plan view thereof; and,
FIG. 7 is a bottom plan view thereof.
The broken lines depict portions of the earpiece charging case with window that form no part of the claimed design.

1 Claim, 4 Drawing Sheets



(56)

References Cited

U.S. PATENT DOCUMENTS

D872,689 S 1/2020 Vardi
 D873,217 S 1/2020 Zhang
 D881,810 S 4/2020 Zhang
 D881,812 S 4/2020 Yang
 D886,454 S 6/2020 Williamson et al.
 D886,455 S 6/2020 Williamson et al.
 D886,738 S 6/2020 Huang
 D887,351 S 6/2020 Bonahoom et al.
 D888,664 S 6/2020 Ma
 10,701,472 B1 6/2020 Xu et al.
 D890,696 S 7/2020 Sweet et al.
 D892,045 S 8/2020 Zhang
 D894,122 S 8/2020 Ye
 D894,123 S 8/2020 Xiong
 D899,089 S 10/2020 Yu
 D902,589 S 11/2020 Li
 D906,238 S * 12/2020 Zhang D13/108
 D908,084 S * 1/2021 He D3/294

D908,617 S * 1/2021 Briggs D3/274
 D911,945 S * 3/2021 Xian D14/223
 D917,389 S * 4/2021 Ye D13/108
 D924,130 S * 7/2021 Zhang D3/294
 D924,798 S * 7/2021 Ando D3/294
 D928,123 S * 8/2021 Gao D14/223
 D931,206 S * 9/2021 Briggs D3/294
 D931,212 S * 9/2021 Briggs D3/294
 D932,472 S * 10/2021 Wang D14/223
 D933,004 S * 10/2021 Li D3/294
 D933,600 S * 10/2021 Wang D24/217
 D936,040 S * 11/2021 Zhao D14/223
 D942,943 S * 2/2022 Huang D3/294
 D944,524 S * 3/2022 Laffon de Mazieres D3/294
 D946,513 S * 3/2022 Lin D14/223
 D947,768 S * 4/2022 Arimoto D3/294
 D952,610 S * 5/2022 Deng D3/274
 2018/0123367 A1 5/2018 Higgins et al.
 2020/0304899 A1 9/2020 Cramer et al.
 2020/0412143 A1 * 12/2020 Chang H04R 1/1025

* cited by examiner

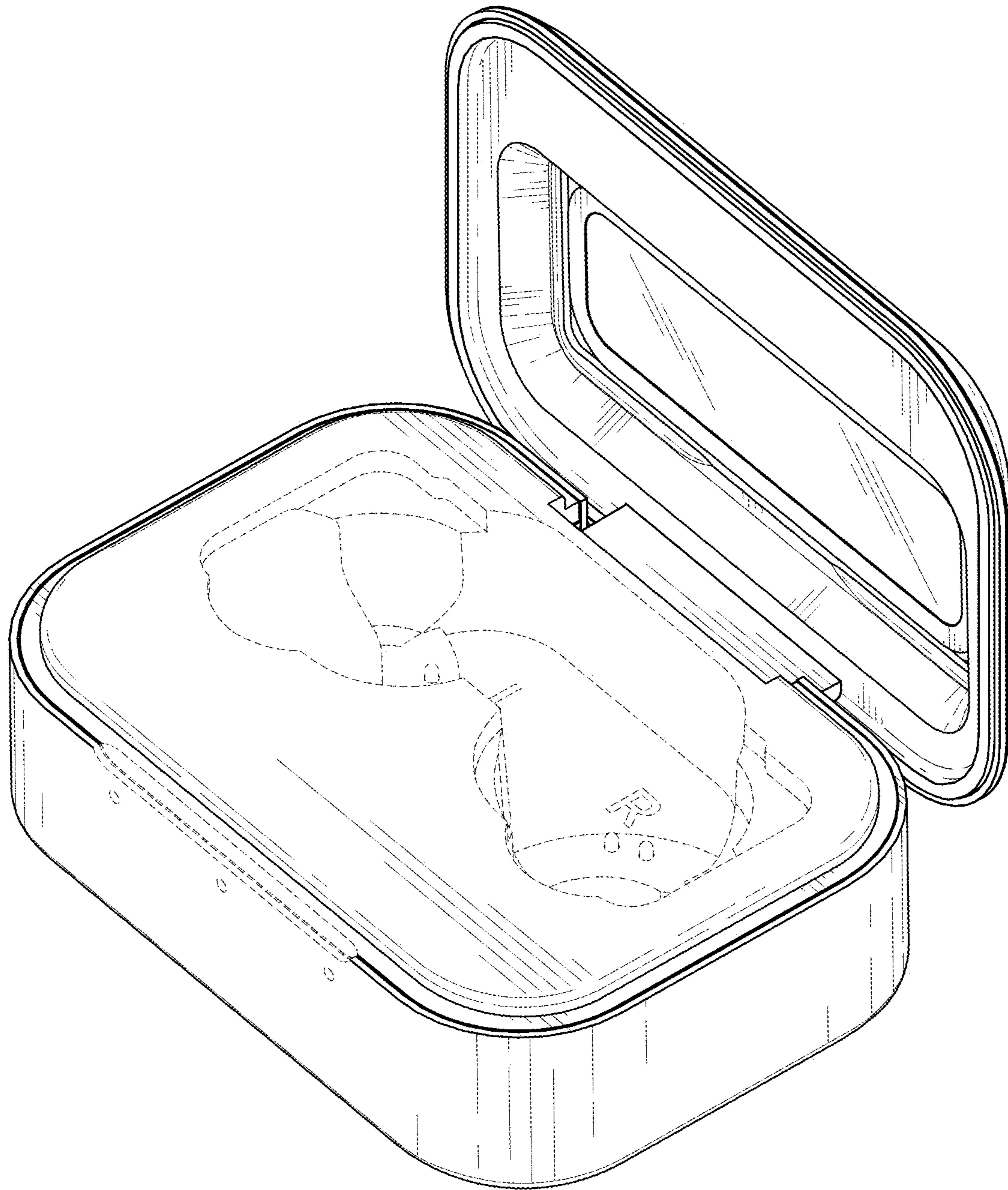


Fig. 1

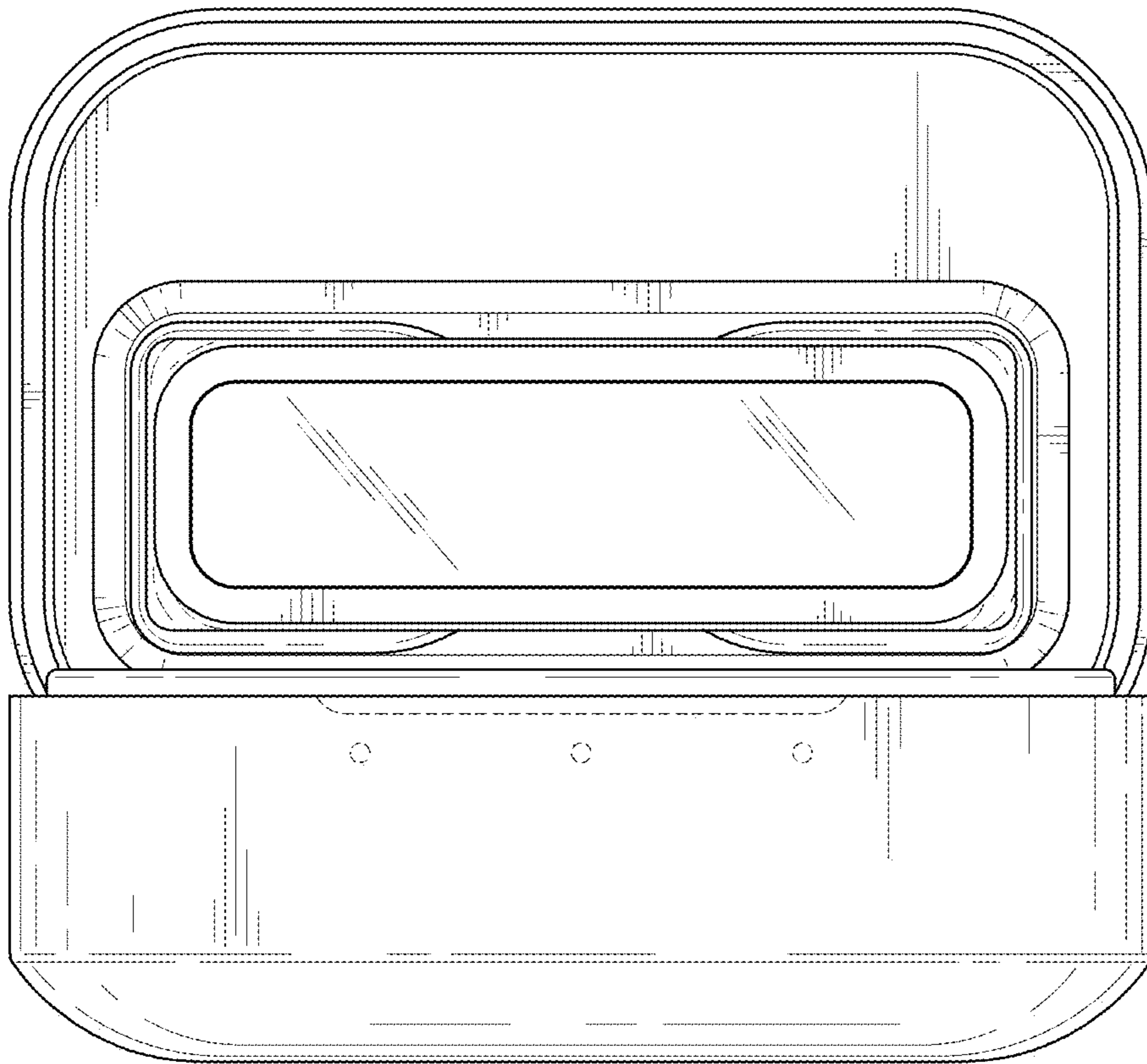


Fig. 2

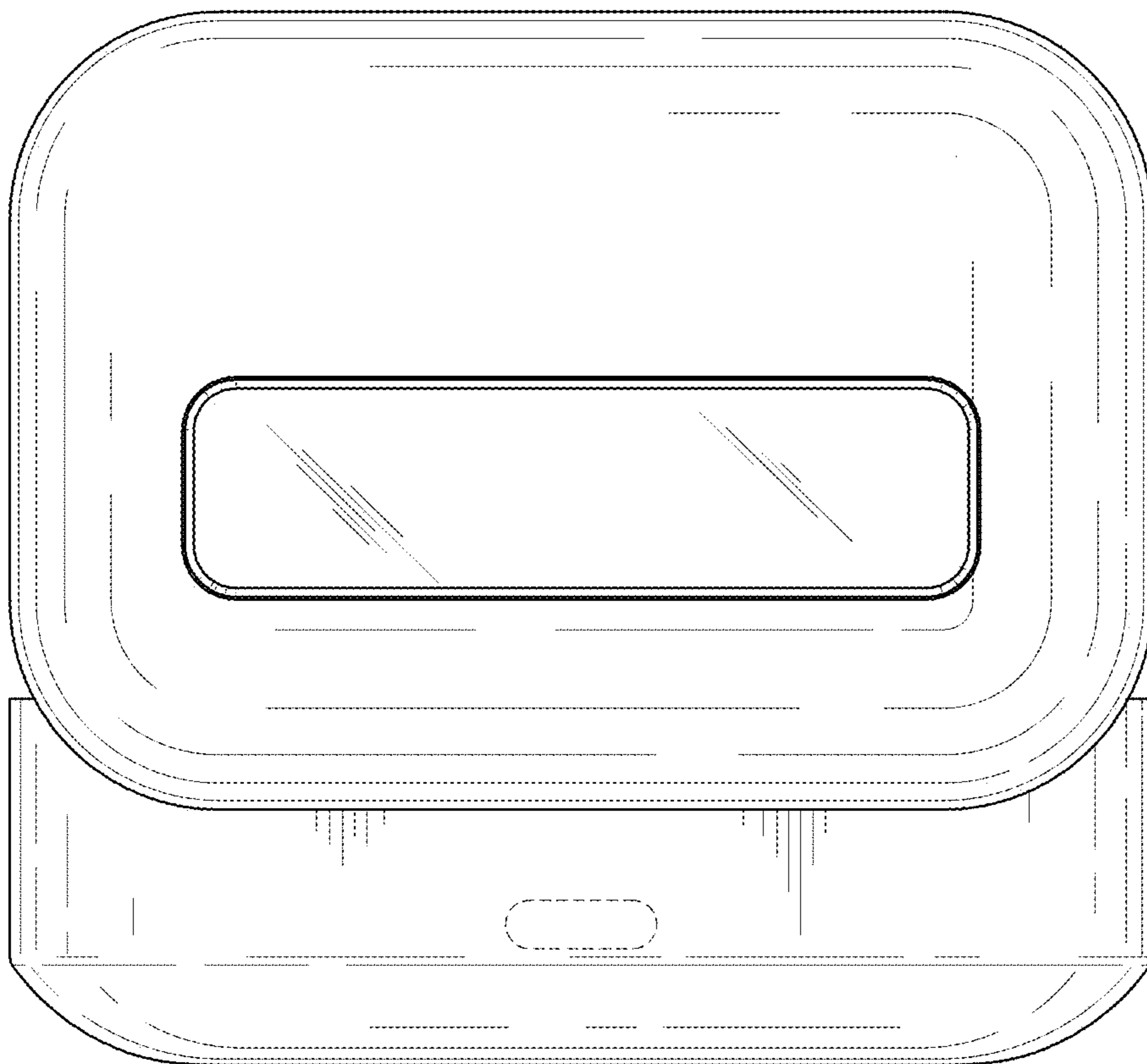


Fig. 3

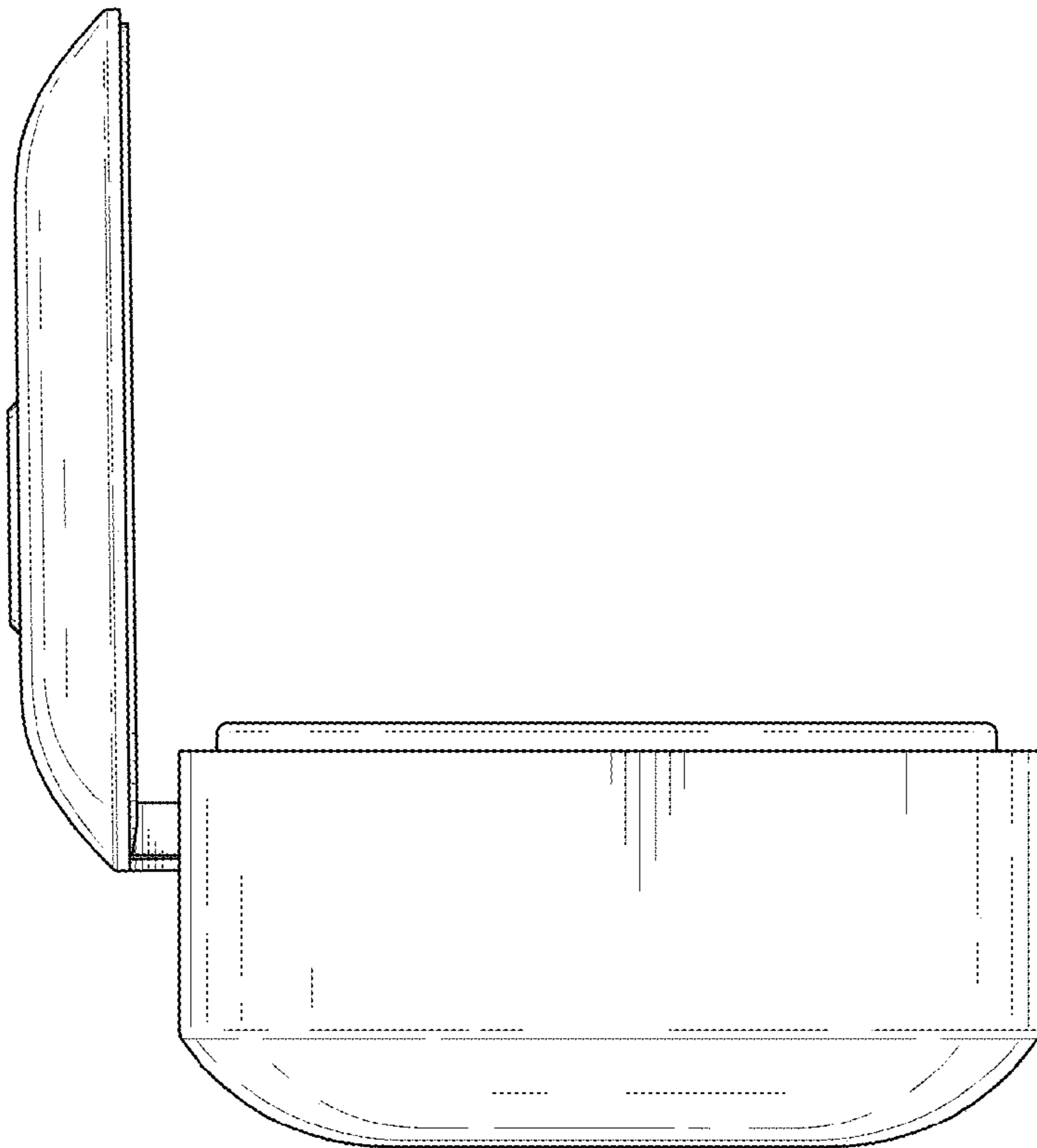


Fig. 4

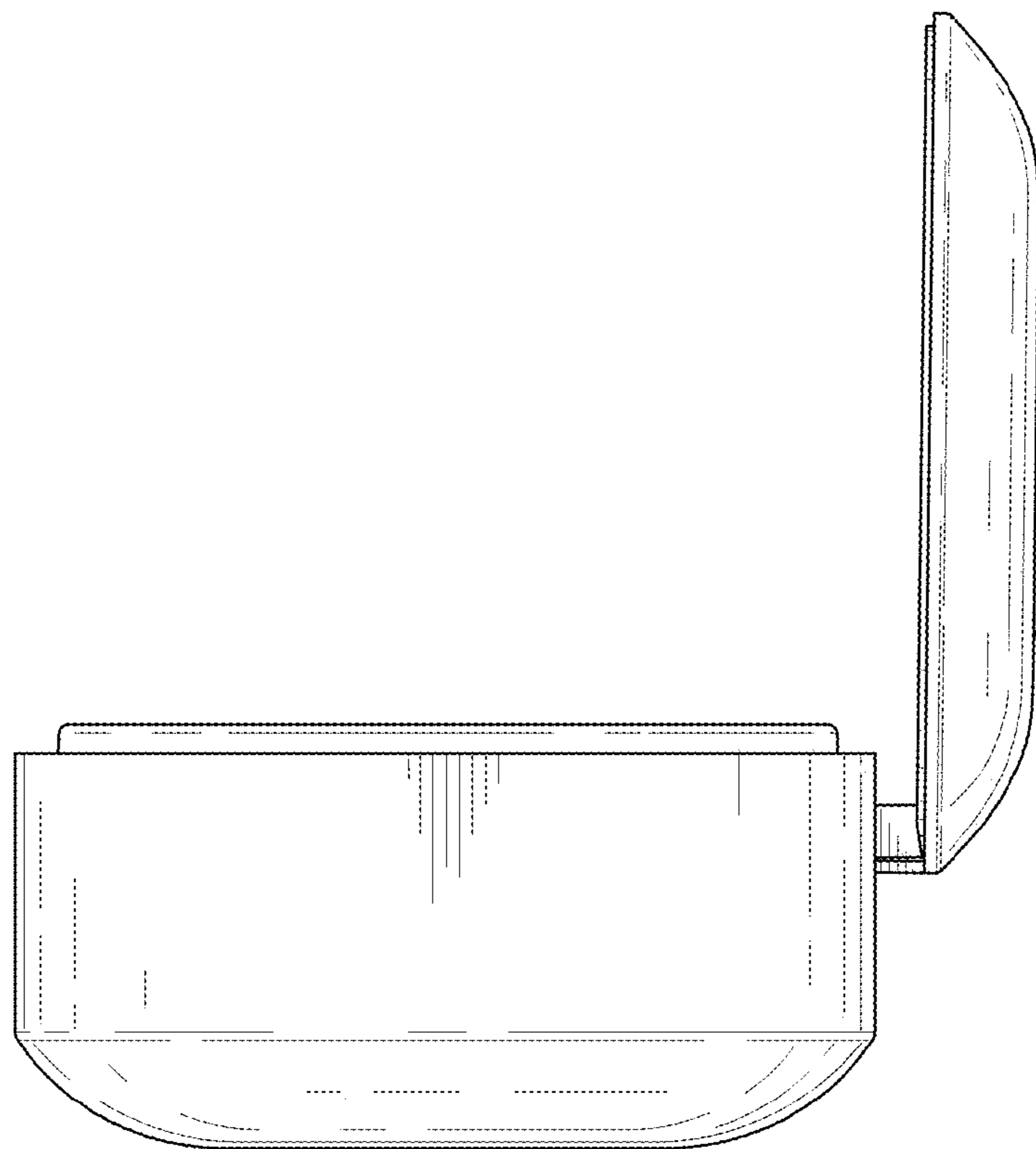


Fig. 5

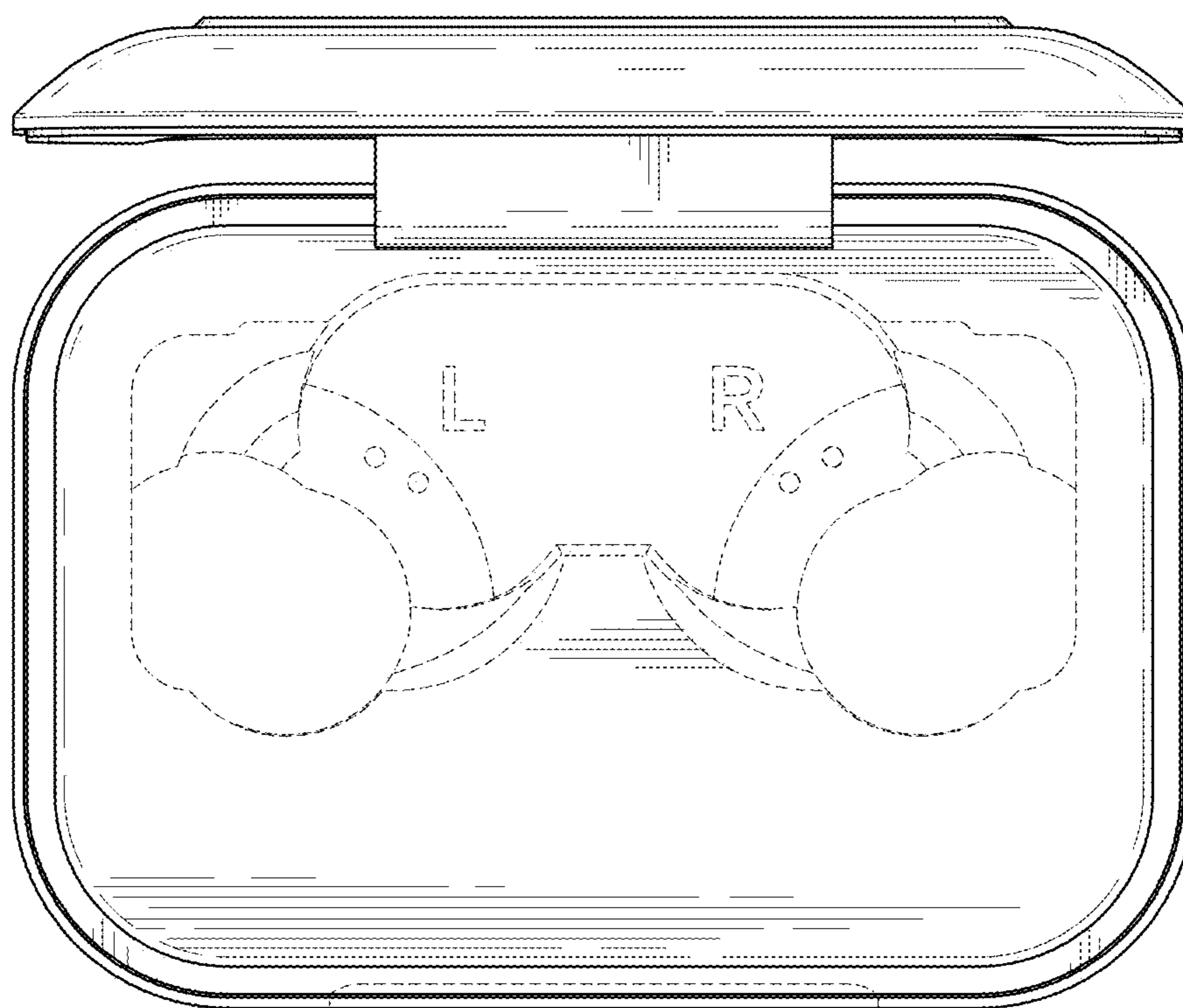


Fig. 6

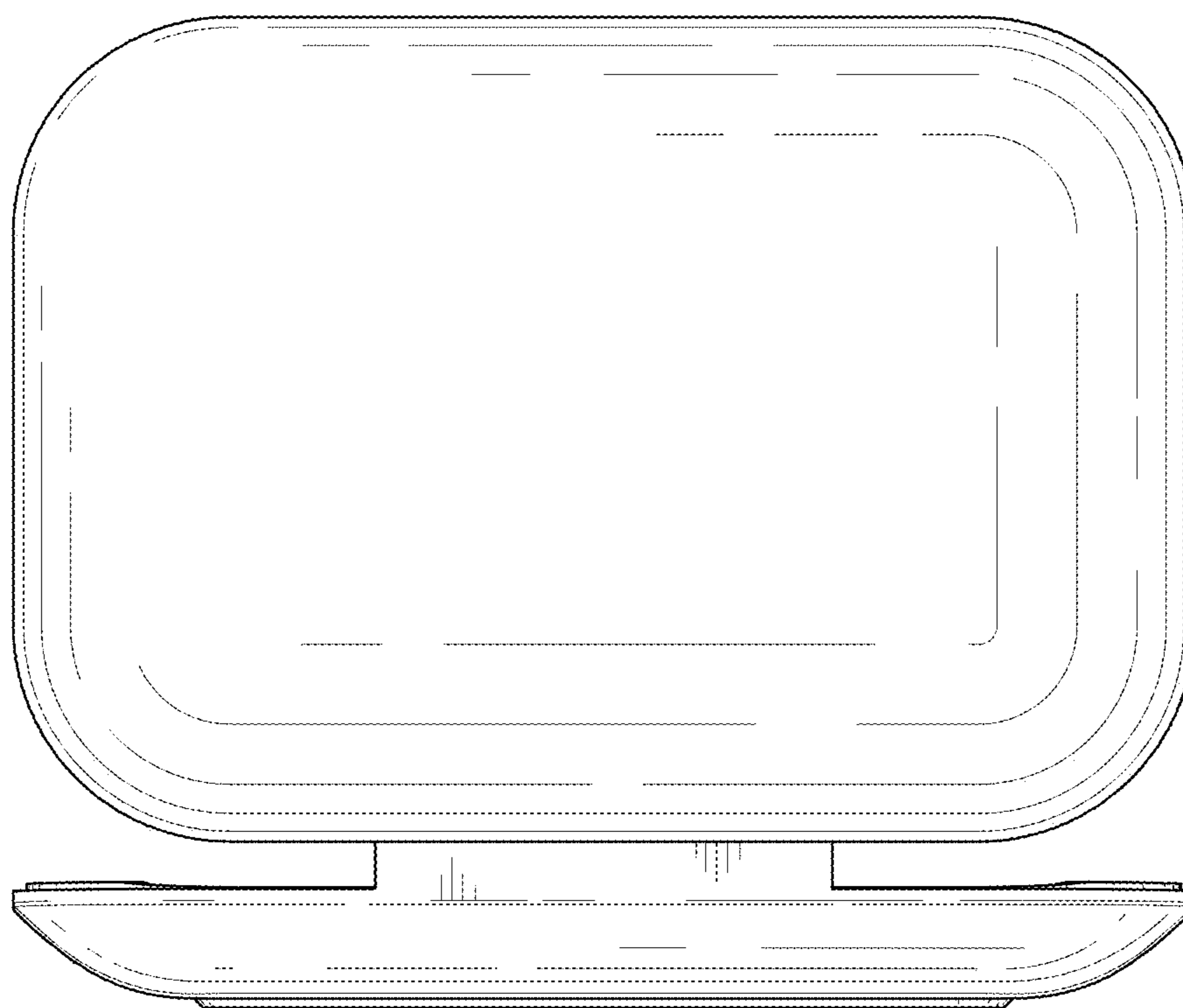


Fig. 7