



US00D967020S

(12) **United States Design Patent**  
**Wu**

(10) **Patent No.:** **US D967,020 S**  
(45) **Date of Patent:** **\*\* Oct. 18, 2022**

(54) **WIRELESS CHARGER**

- (71) Applicant: **Guanyuan Shengye (Shenzhen) Intelligent Technology Co., Ltd.,** Shenzhen (CN)
- (72) Inventor: **Manfang Wu,** Guangdong Province (CN)
- (\*\*) Term: **15 Years**
- (21) Appl. No.: **29/794,903**
- (22) Filed: **Jun. 15, 2021**
- (51) **LOC (13) Cl.** ..... **13-02**
- (52) **U.S. Cl.**  
USPC ..... **D13/108**
- (58) **Field of Classification Search**  
USPC ..... D13/103, 107, 108, 118, 119; D14/224, D14/240, 251, 253, 432, 433, 434, 447  
CPC ..... H04B 1/3877; H02J 7/0049; H02J 15/00  
See application file for complete search history.

(56) **References Cited**

**U.S. PATENT DOCUMENTS**

D486,140 S *	2/2004	Park	.....	D14/216
D638,789 S *	5/2011	Markowitz	.....	D13/108
D825,575 S *	8/2018	Gao	.....	D14/447
D855,566 S *	8/2019	Chen	.....	D13/108
D858,437 S *	9/2019	Lu	.....	D13/108
D904,978 S *	12/2020	Liao	.....	D13/108
D905,042 S *	12/2020	Lim	.....	D14/434
D917,386 S	4/2021	Xu		
D920,908 S *	6/2021	Qiu	.....	D13/108
11,117,526 B2 *	9/2021	Iverson	.....	B60R 11/02
D934,794 S *	11/2021	Brisebras	.....	D13/108
D942,389 S *	2/2022	Sun	.....	D14/447
2011/0234154 A1 *	9/2011	Navid	.....	H02J 7/0045
				320/108
2016/0261139 A1 *	9/2016	Kidakarn	.....	H02J 50/10

**FOREIGN PATENT DOCUMENTS**

CN 202130299067.0 \* 8/2021

**OTHER PUBLICATIONS**

“Hinyx Wireless Charger”. Found online Apr. 27, 2022 at amazon.com. Reference dated Jun. 17, 2021. Retrieved from [https://www.amazon.com/Hinyx-Wireless-Charger-Magnetic-Charging/dp/B097JLL8GW/ref=psdc\\_2407761011\\_t1\\_B09QHML1F](https://www.amazon.com/Hinyx-Wireless-Charger-Magnetic-Charging/dp/B097JLL8GW/ref=psdc_2407761011_t1_B09QHML1F). (Year: 2021).\*

“Magnetic Wireless Charger”. Found online Apr. 14, 2022 at squareimports.com. Reference dated Feb. 19, 2021. Retrieved from <https://www.squareimports.com/products/3-in-1-magnetic-wireless-charger-stand-dock-for-apple-devices> (Year: 2021).\*

“Belkin Boost Charge Pro 3-in-1 15W Wireless Charger”. Found online Mar. 8, 2022 at bhphotovideo.com. Reference dated Oct. 22, 2020. Retrieved from [https://www.bhphotovideo.com/c/product/1617699-REG/belkin\\_wiz009ttbk\\_boost\\_charge\\_pro\\_3\\_in\\_1.html/reviews](https://www.bhphotovideo.com/c/product/1617699-REG/belkin_wiz009ttbk_boost_charge_pro_3_in_1.html/reviews). (Year: 2020).\*

\* cited by examiner

*Primary Examiner* — Kendra Leslie Hamilton  
*Assistant Examiner* — Amanda Christensen

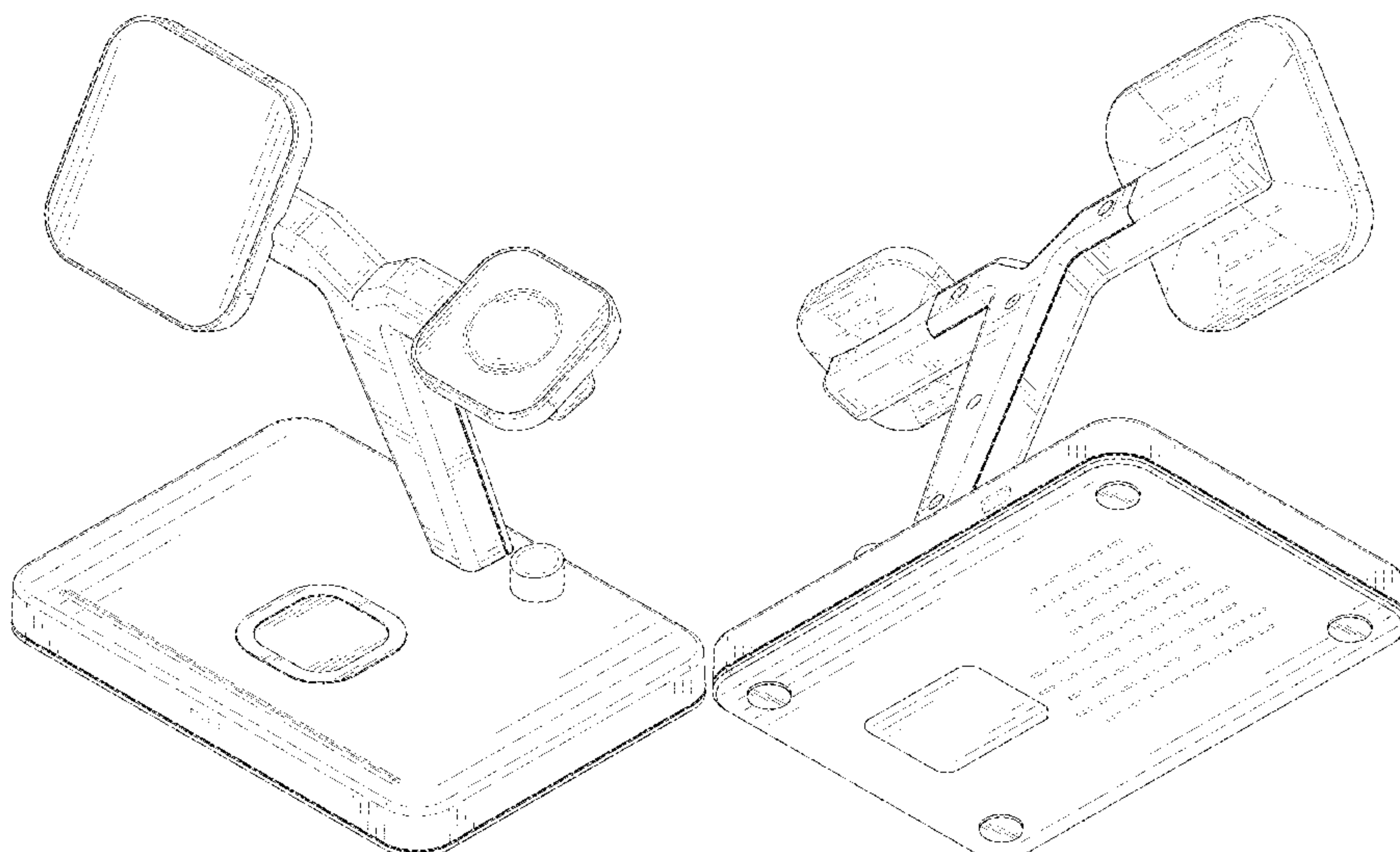
(57) **CLAIM**

The ornamental design for a wireless charger, as shown and described.

**DESCRIPTION**

FIG. 1 is a front and top perspective view of a wireless charger, showing my new design;  
 FIG. 2 is a rear and bottom perspective view thereof;  
 FIG. 3 is a front elevation view thereof;  
 FIG. 4 is a rear elevation view thereof;  
 FIG. 5 is a left side elevation view thereof;  
 FIG. 6 is a right side elevation view thereof;  
 FIG. 7 is a top plan view thereof; and,  
 FIG. 8 is a bottom plan view thereof.  
 The broken lines in the figures illustrate portions of the wireless charger that form no part of the claimed design.

**1 Claim, 8 Drawing Sheets**



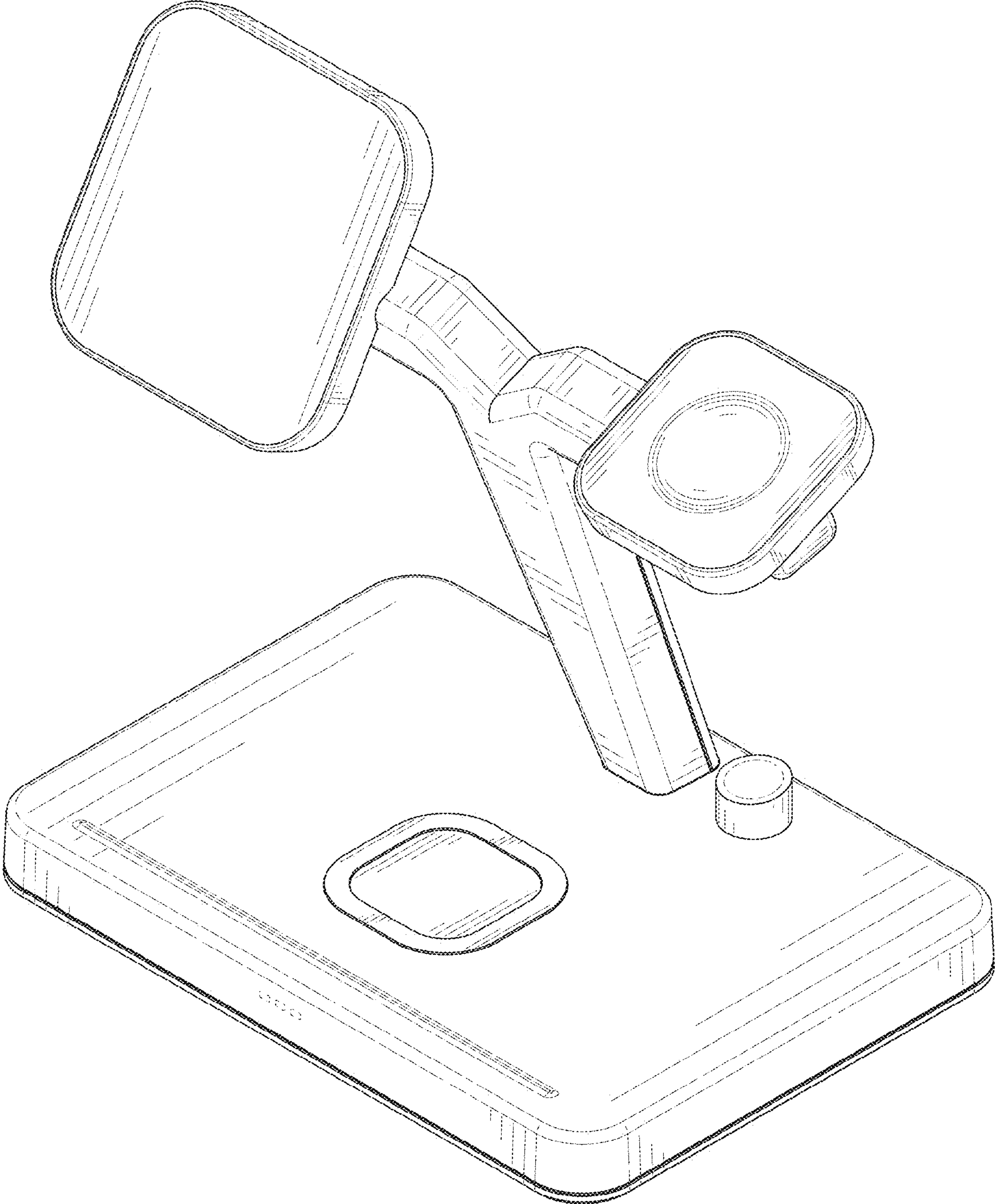


FIG. 1



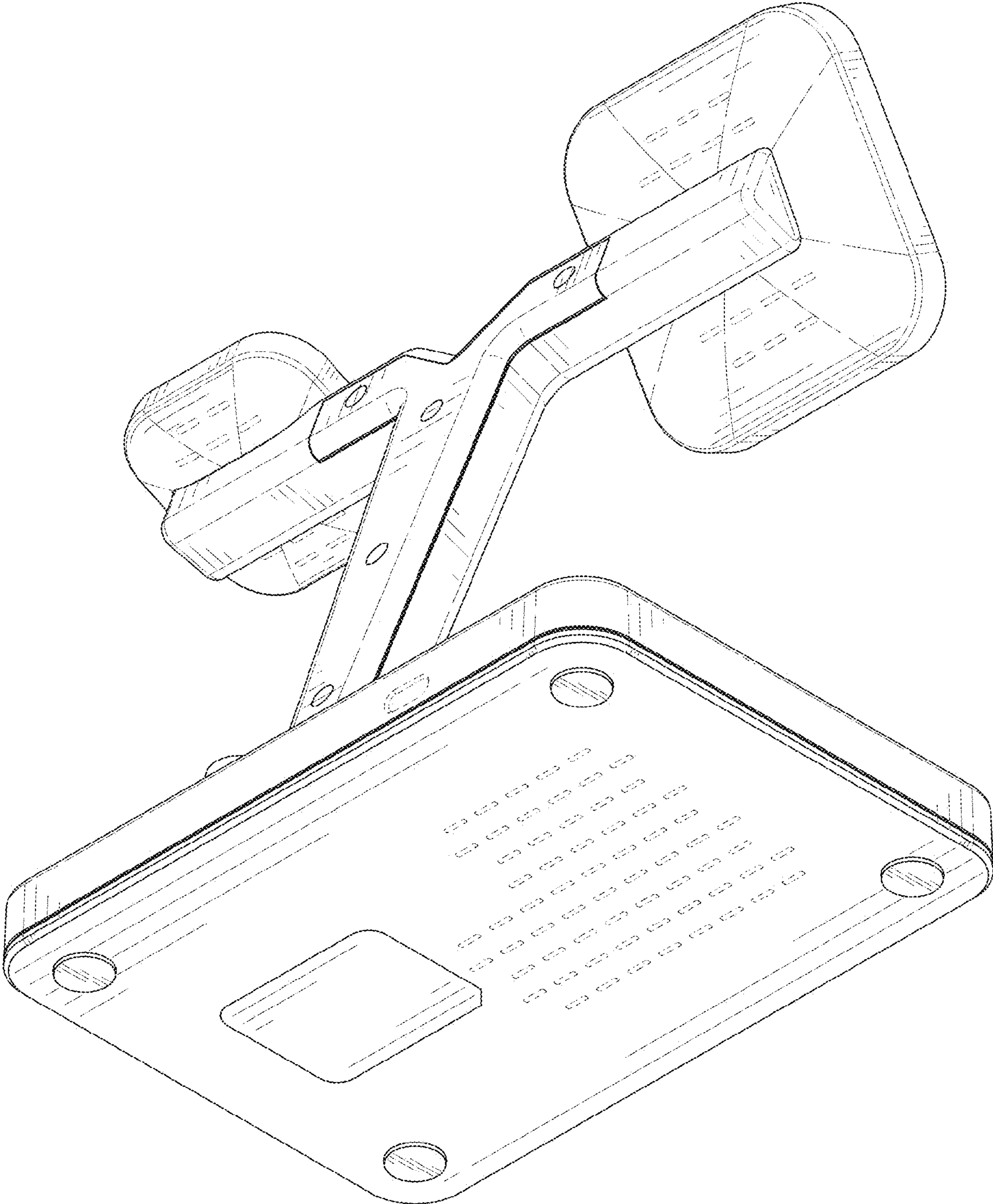


FIG. 2

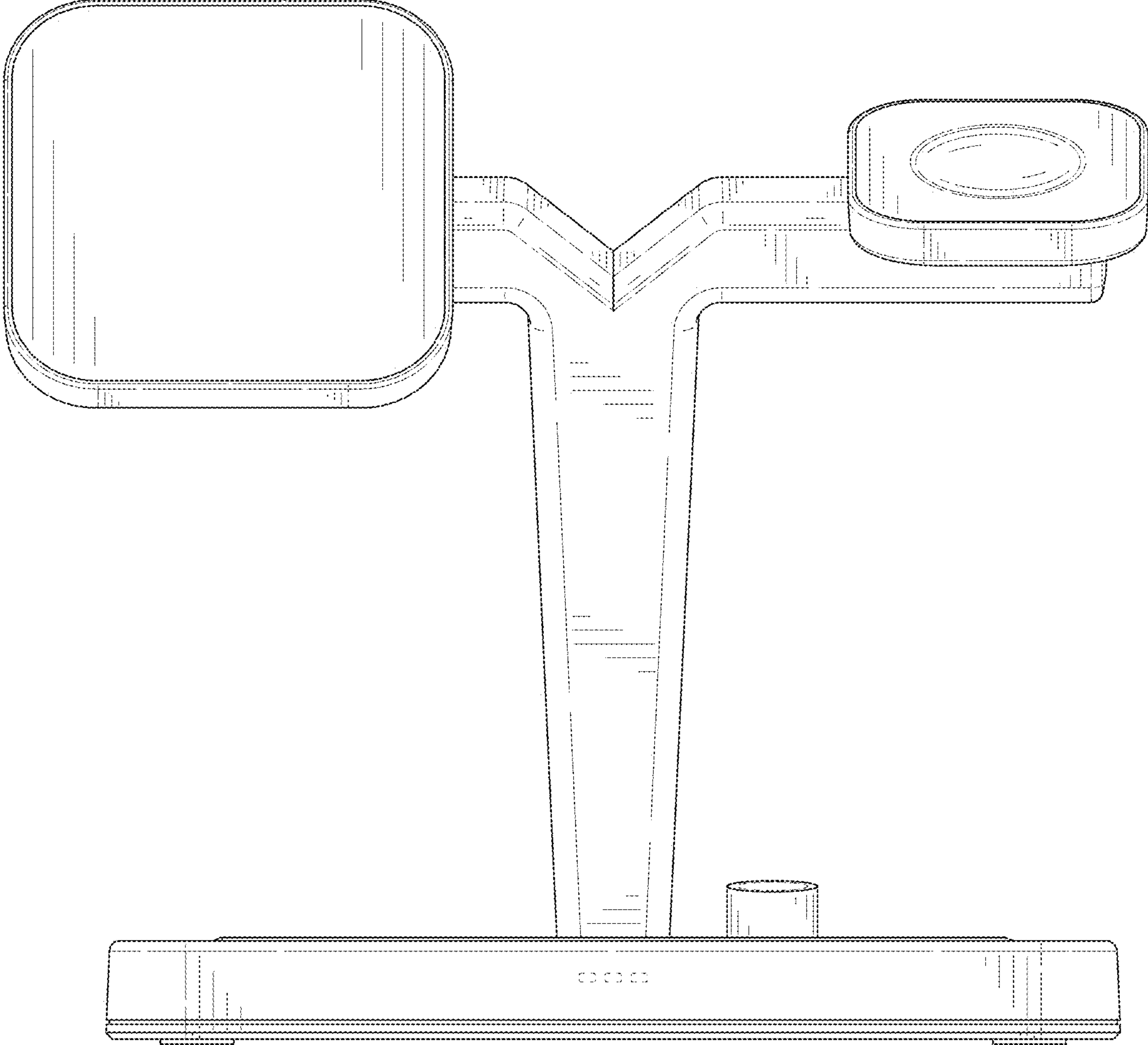


FIG. 3

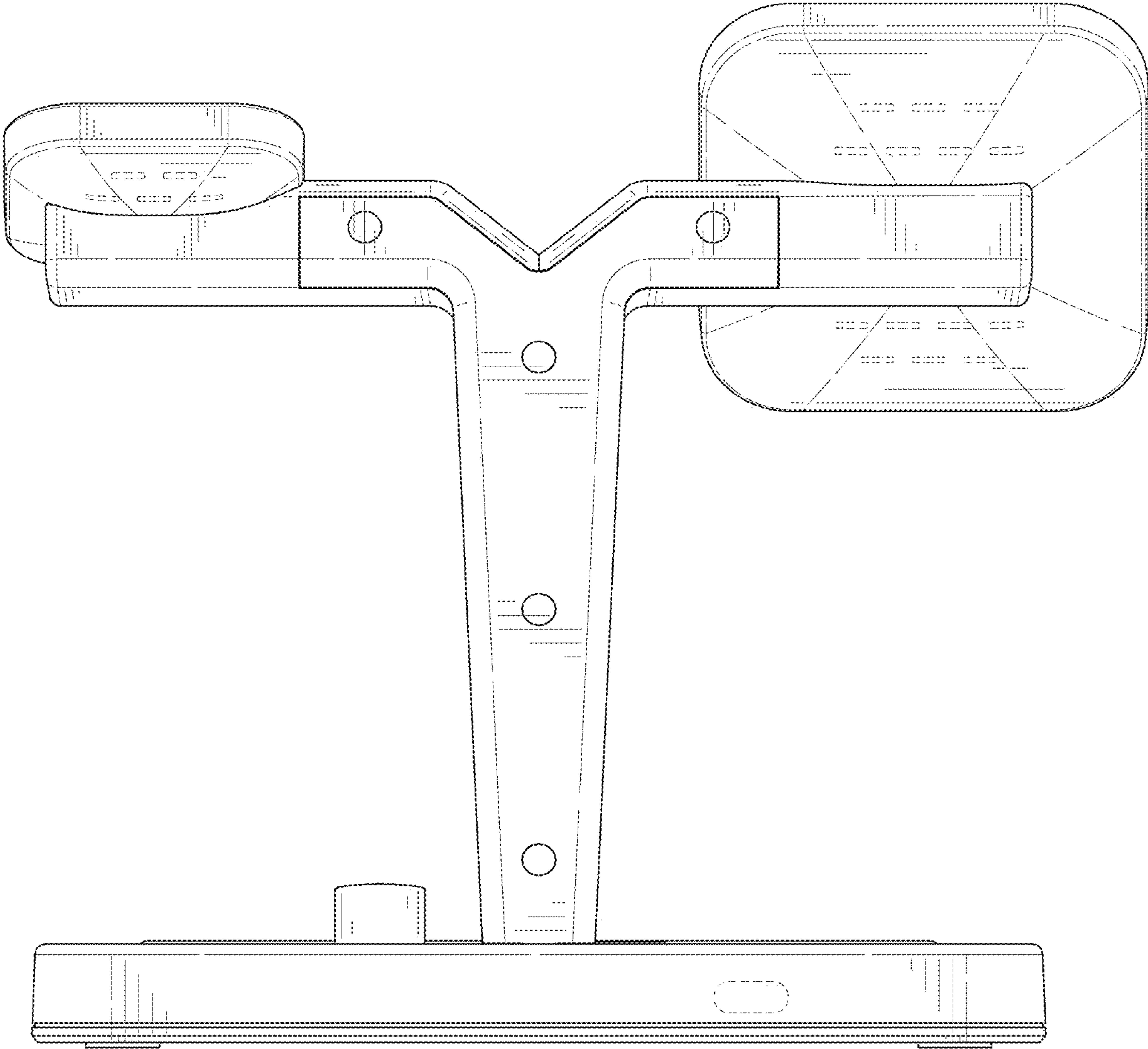


FIG. 4

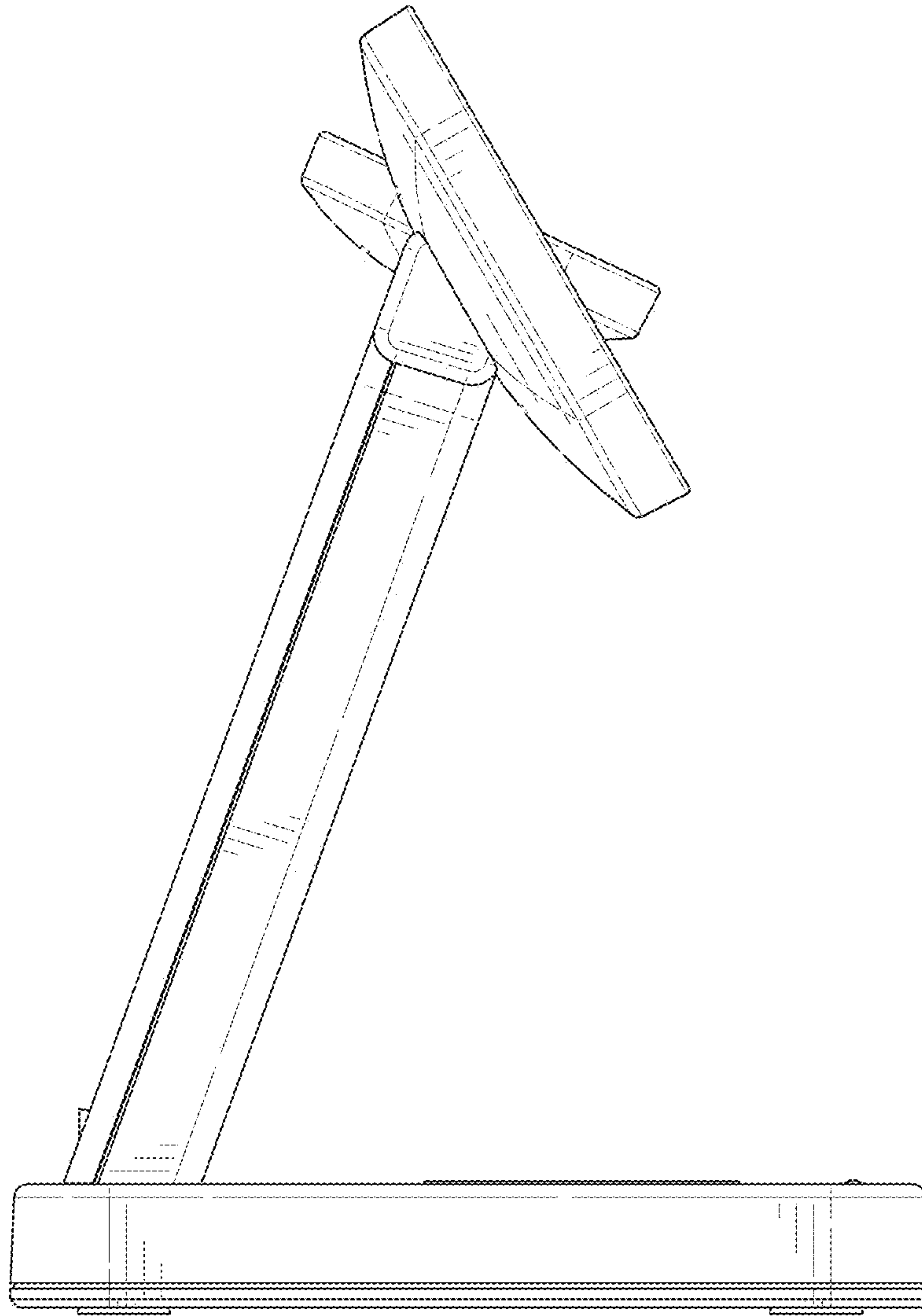


FIG. 5

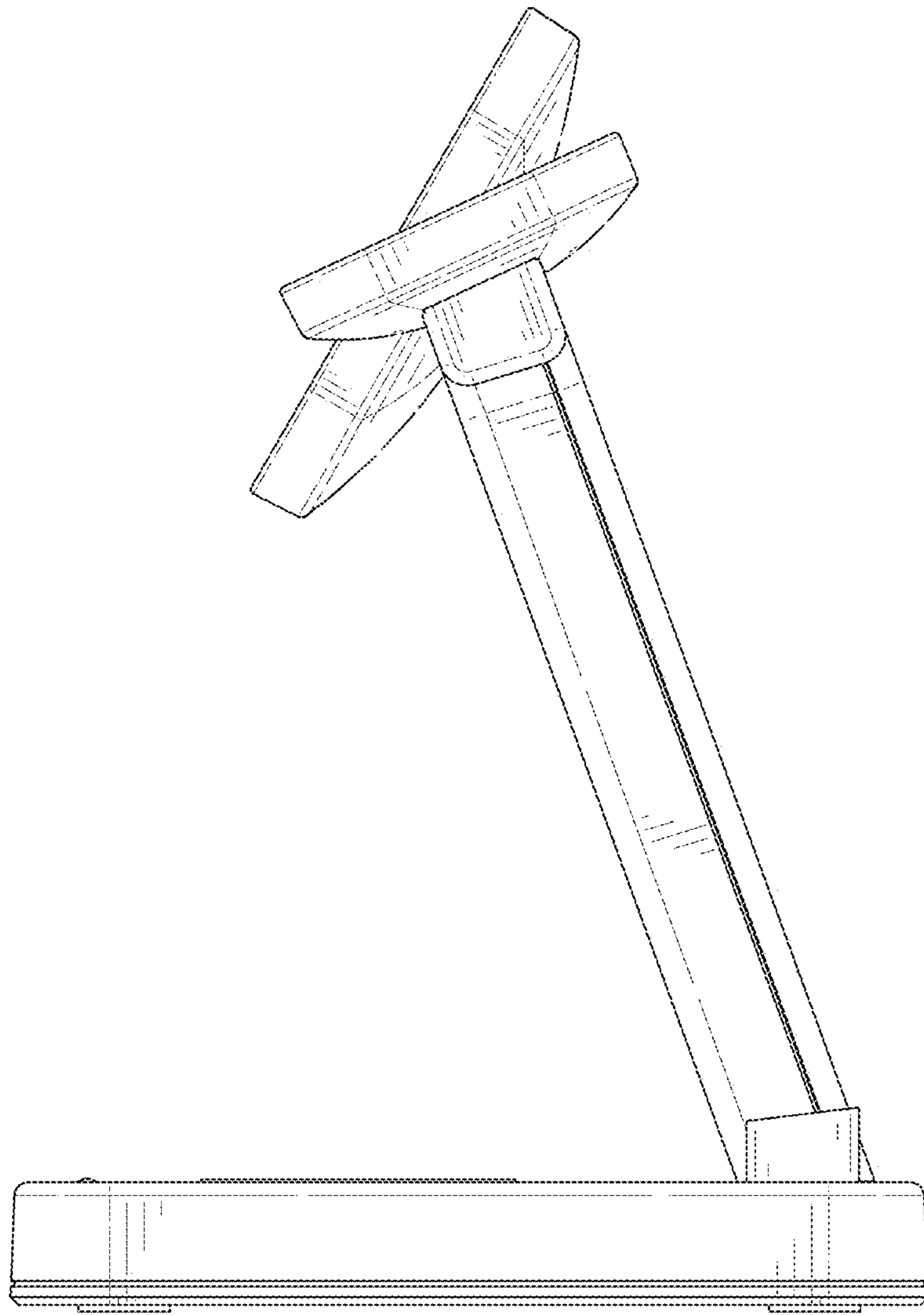


FIG. 6

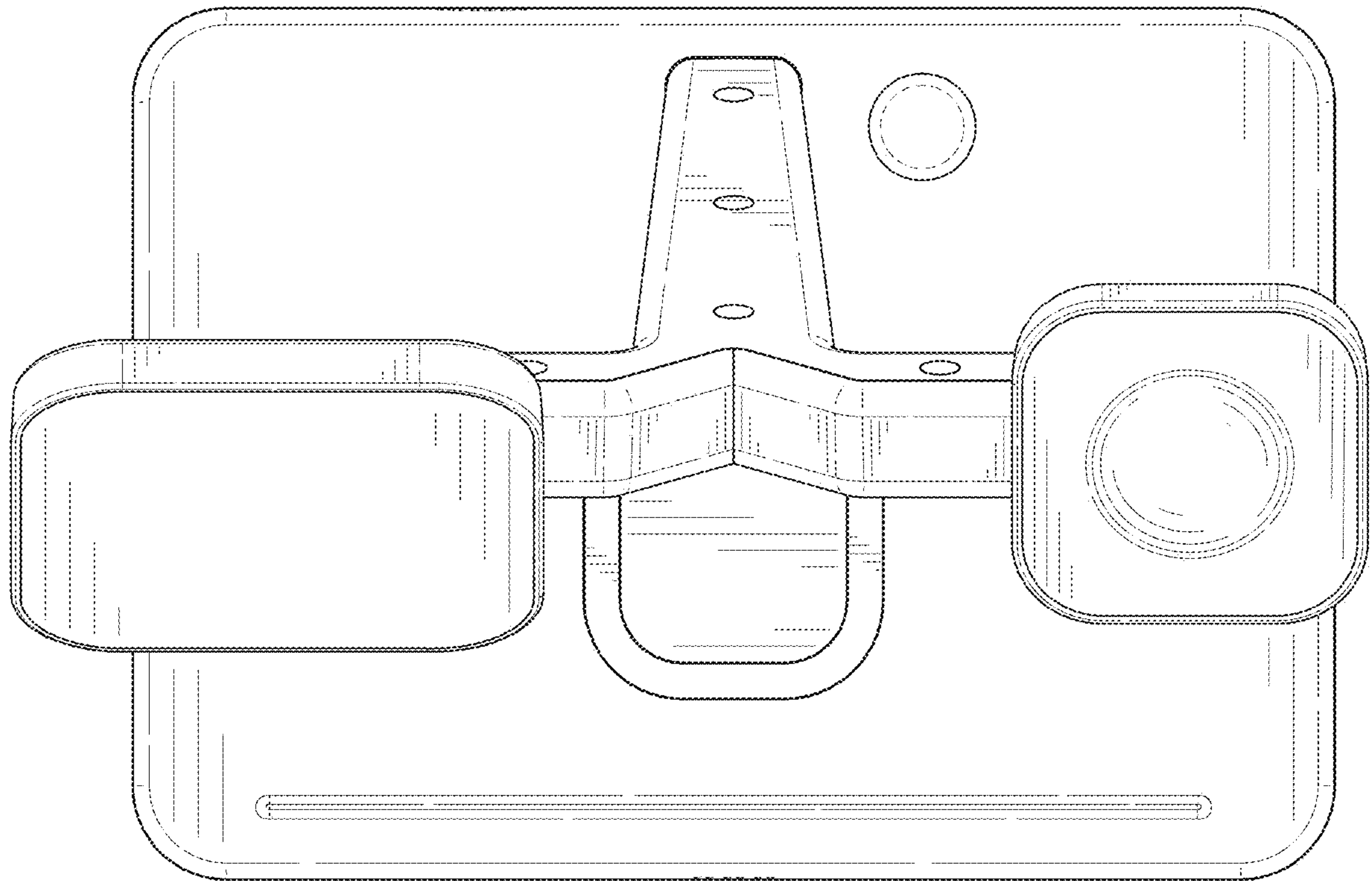


FIG. 7



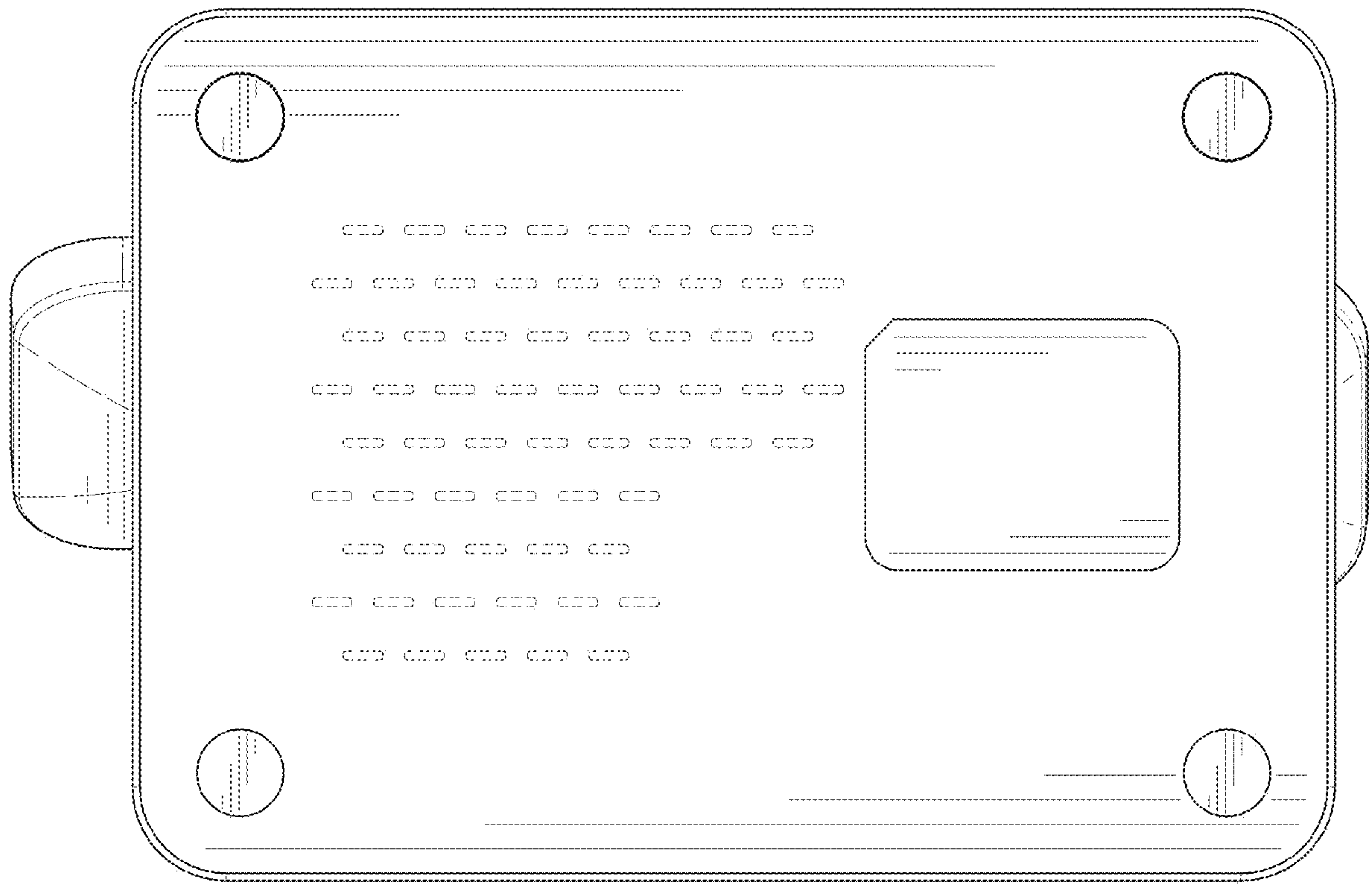


FIG. 8