



US00D967019S

(12) **United States Design Patent** (10) **Patent No.:** **US D967,019 S**
Parcon (45) **Date of Patent:** **** Oct. 18, 2022**

(54) **CHARGING STATION**

- (71) Applicant: **Critical Tattoo Supply, LLC**, Reno, NV (US)
- (72) Inventor: **Jadeanne Parcon**, Eastvale, CA (US)
- (73) Assignee: **Critical Tattoo Supply, LLC**, Reno, NV (US)
- (**) Term: **15 Years**
- (21) Appl. No.: **29/757,579**
- (22) Filed: **Nov. 6, 2020**
- (51) **LOC (13) Cl.** **13-02**
- (52) **U.S. Cl.**
USPC **D13/108**
- (58) **Field of Classification Search**
USPC D13/103, 107, 108, 118, 119; D14/217,
D14/432, 433, 434, 439, 447; D24/127,
D24/128, 231
CPC H02J 7/00047; H02J 7/0049; H02J 50/05
See application file for complete search history.

(56) **References Cited**

U.S. PATENT DOCUMENTS

D401,552 S *	11/1998	Tanaka	D13/107
D486,787 S *	2/2004	Krieger	D13/108
6,790,076 B1 *	9/2004	Patterson	H01R 11/282 429/100
D813,806 S *	3/2018	Ito	D13/108
D820,782 S *	6/2018	Wang	D13/107
D827,568 S *	9/2018	Turksu	D13/108
D883,202 S *	5/2020	Edwards	D13/108
D900,732 S *	11/2020	Sexton	D13/107
D931,803 S *	9/2021	Ge	D13/107
D937,769 S *	12/2021	Desai	D13/108
D946,505 S *	3/2022	Birkholz	D13/107
2008/0067975 A1 *	3/2008	Law	H02J 7/00047 320/110
2017/0187212 A1 *	6/2017	Hemesath	H02J 7/342

OTHER PUBLICATIONS

“Critical Tattoo Universal Battery Pack”. Found online May 3, 2022 at criticaltattoo.com. Reference dated Mar. 3, 2021. Retrieved from <https://criticaltattoo.com/products/critical-universal-battery-pack-bundle>. (Year: 2021).*

“Charging Dock and Base for Knuckle Lights Advanced”. Found online Dec. 30, 2020 at knucklelights.com. Reference dated Jun. 25, 2019. Retrieved from <https://knucklelights.com/products/charging-base>. (Year: 2019).*

“Revolabs Charger Base”. Found online Dec. 30, 2020 at bhphotovideo.com. Reference dated Aug. 15, 2016. Retrieved from https://www.bhphotovideo.com/c/product/894848-REG/revolabs_02hddualchg11_charger_base_for_hd.html/qa. (Year: 2016).*

* cited by examiner

Primary Examiner — Kendra Leslie Hamilton

Assistant Examiner — Amanda Christensen

(74) *Attorney, Agent, or Firm* — Kevin Schraven; Anooj Patel; Hankin Patent Law, APC

(57) **CLAIM**

The ornamental design for a charging station, as shown and described.

DESCRIPTION

FIG. 1 is a top perspective view of a charging station, showing my new design.

FIG. 2 is a bottom perspective view thereof.

FIG. 3 is a front elevational view thereof.

FIG. 4 is a rear elevational view thereof.

FIG. 5 is right-side elevational view thereof.

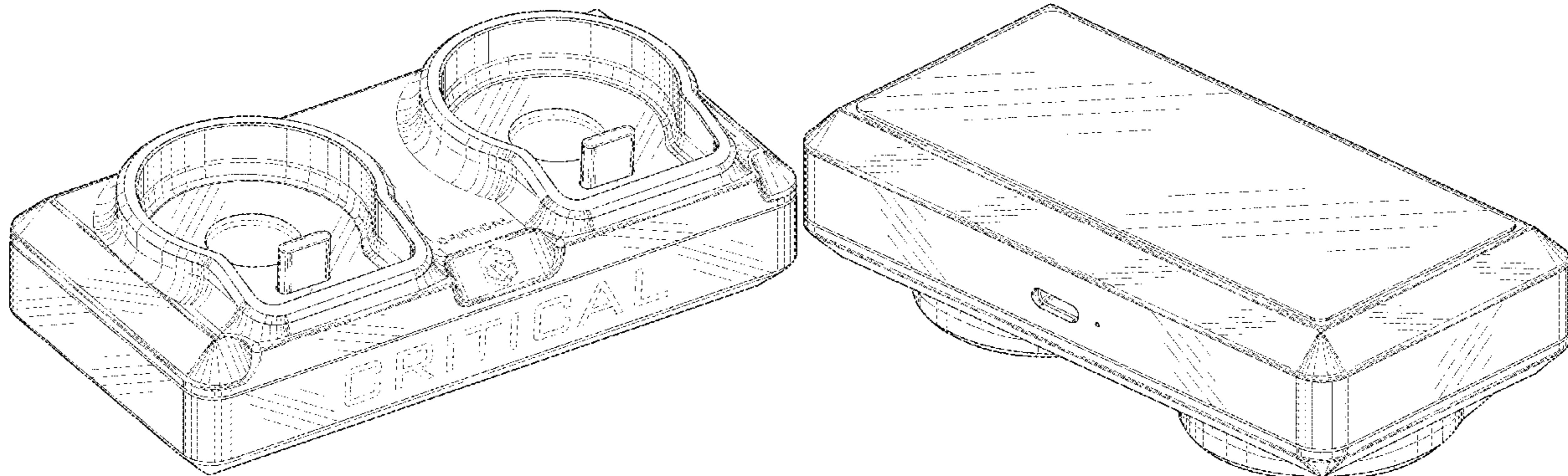
FIG. 6 is a left-side elevational view thereof.

FIG. 7 is a top plan view thereof; and,

FIG. 8 is a bottom plan view thereof.

The broken lines in the drawings depict portions of the charging station that form no part of the claimed design.

1 Claim, 8 Drawing Sheets



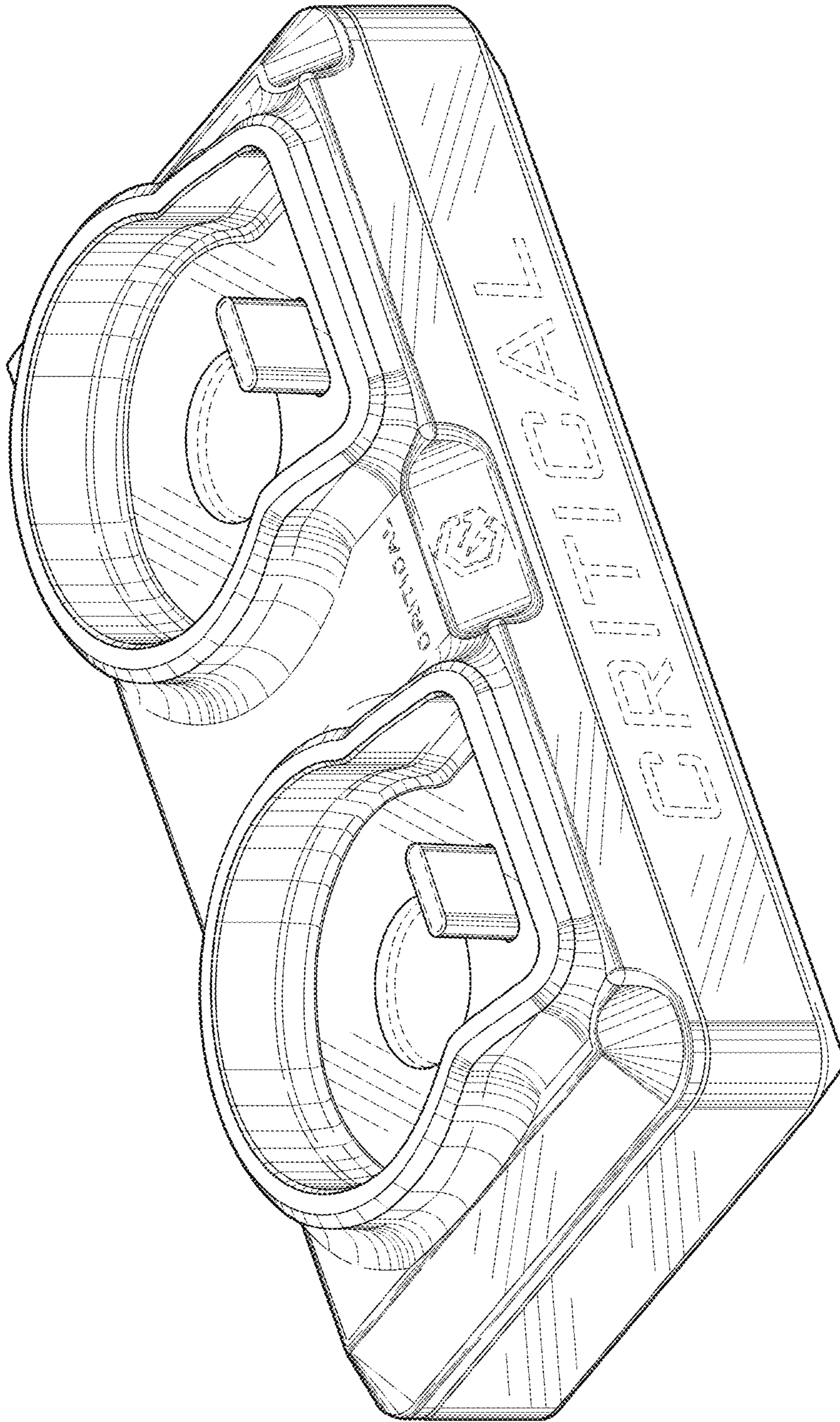


Fig. 1

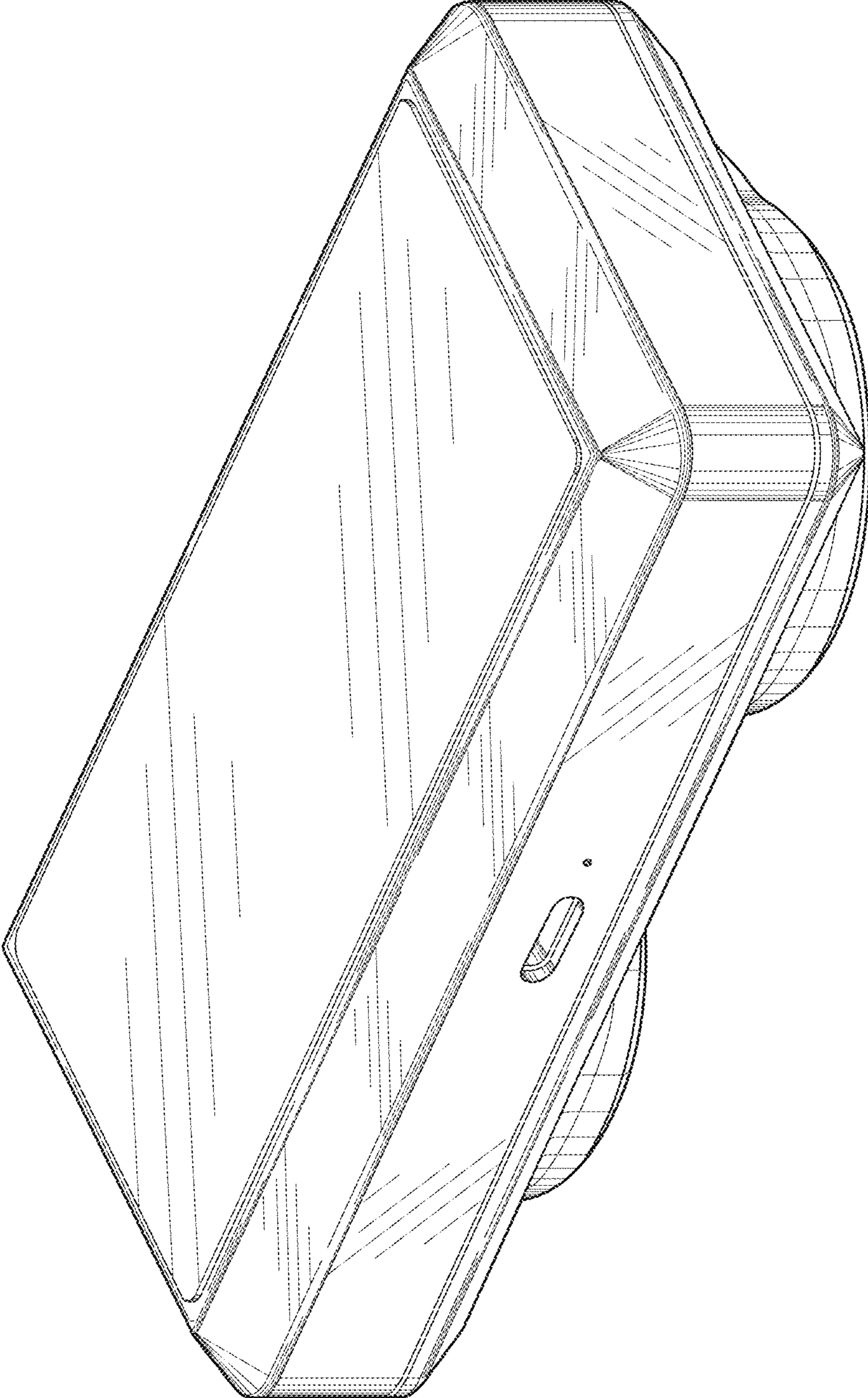


Fig. 2

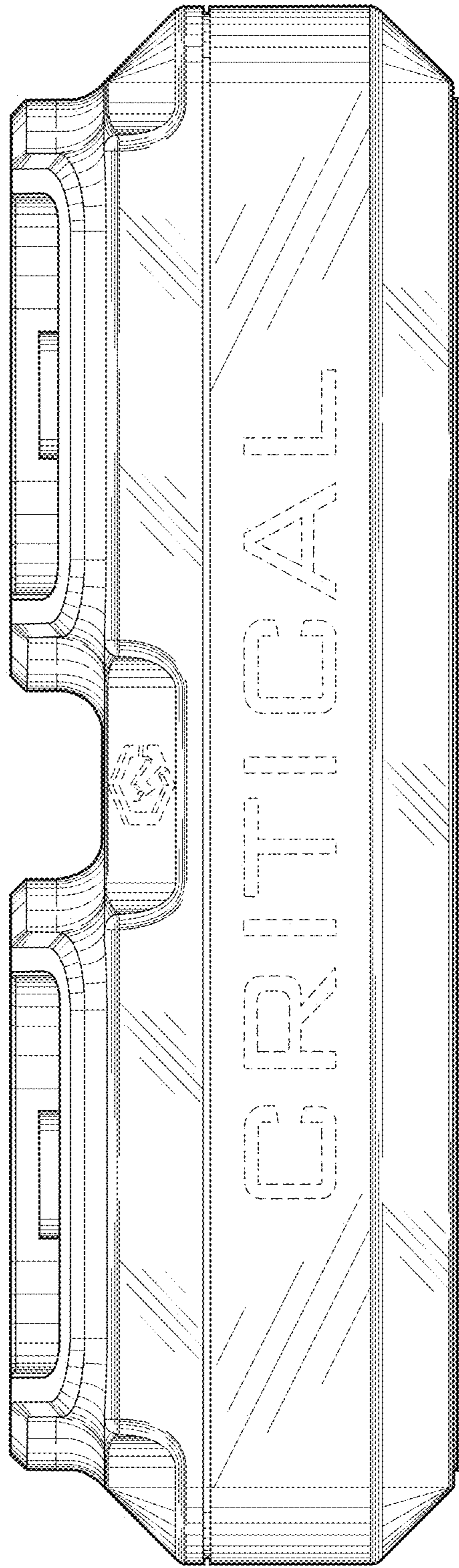


Fig. 3

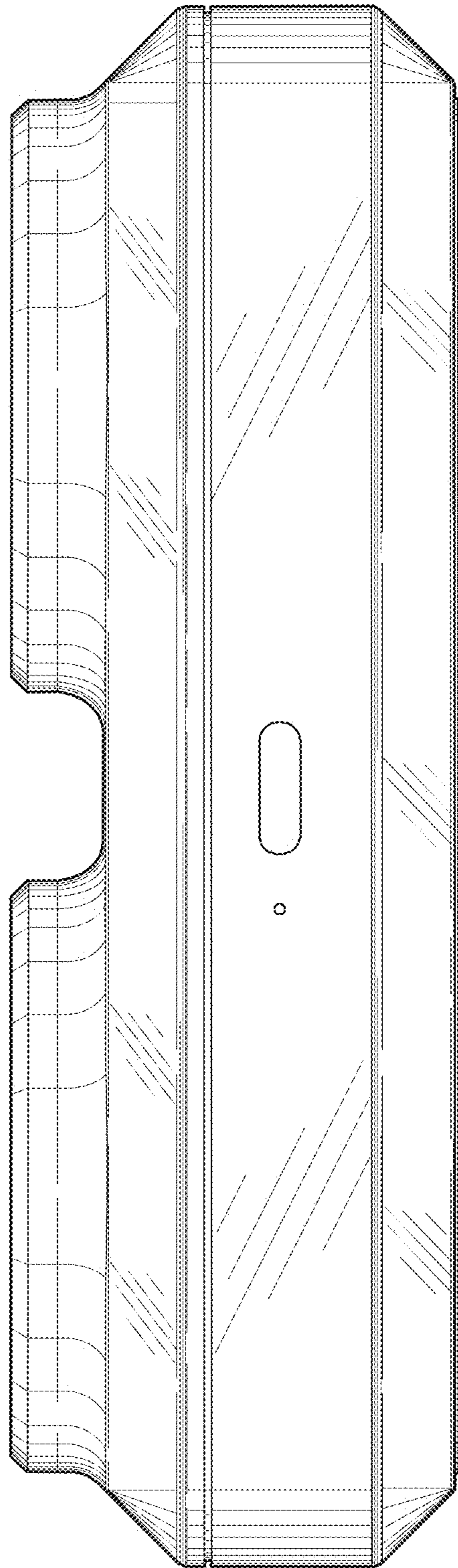


Fig. 4

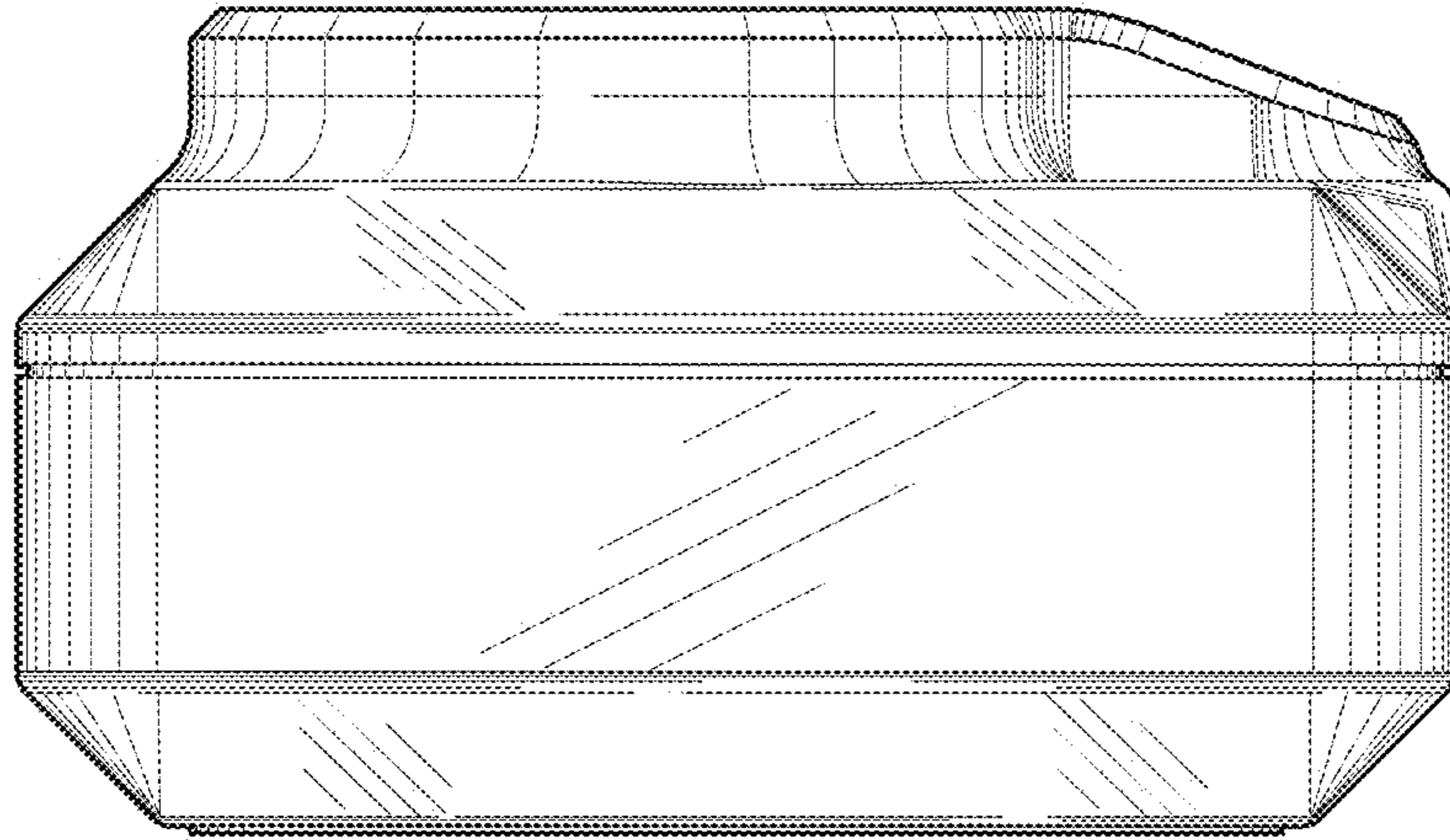


Fig.5

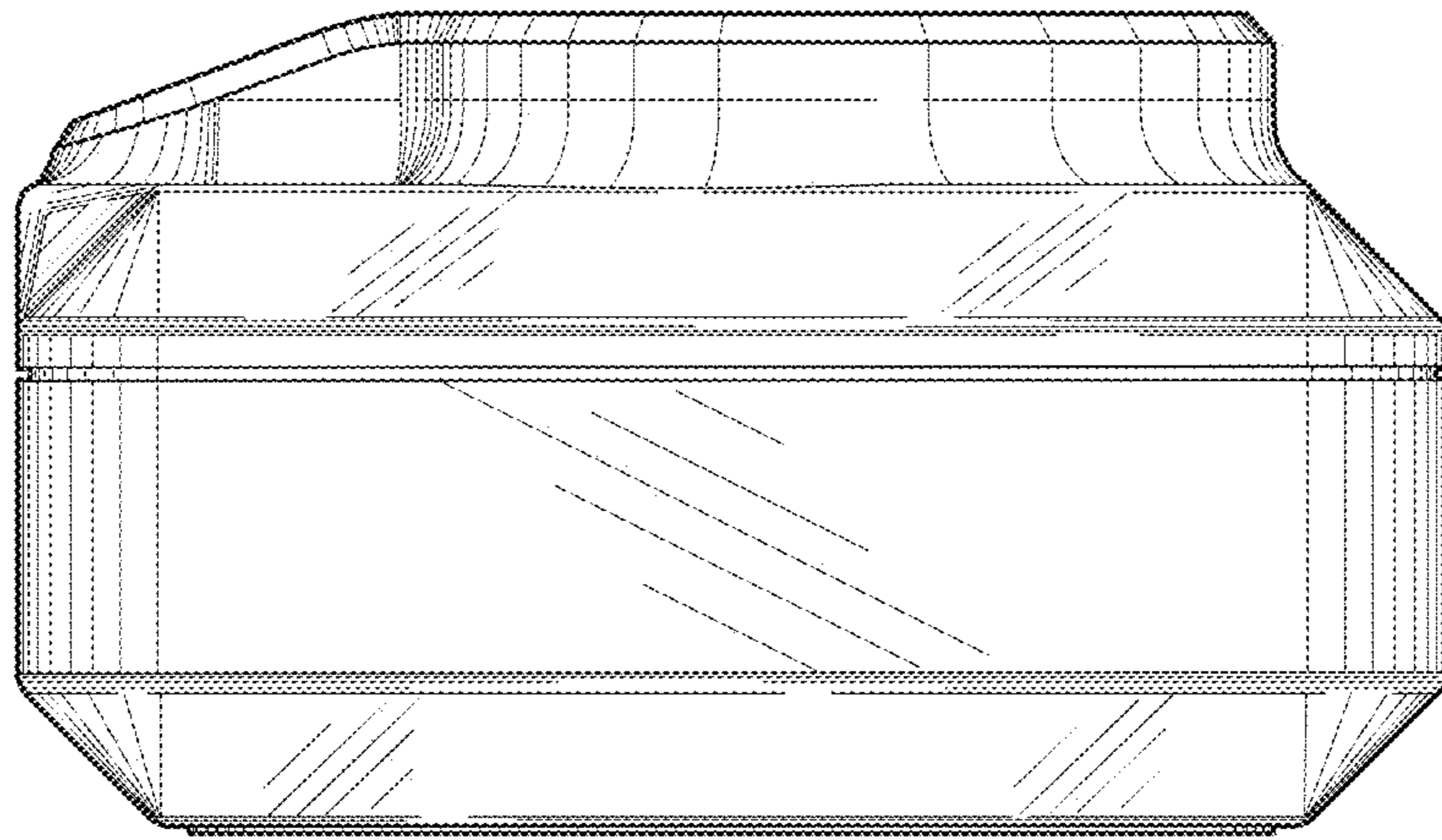


Fig.6

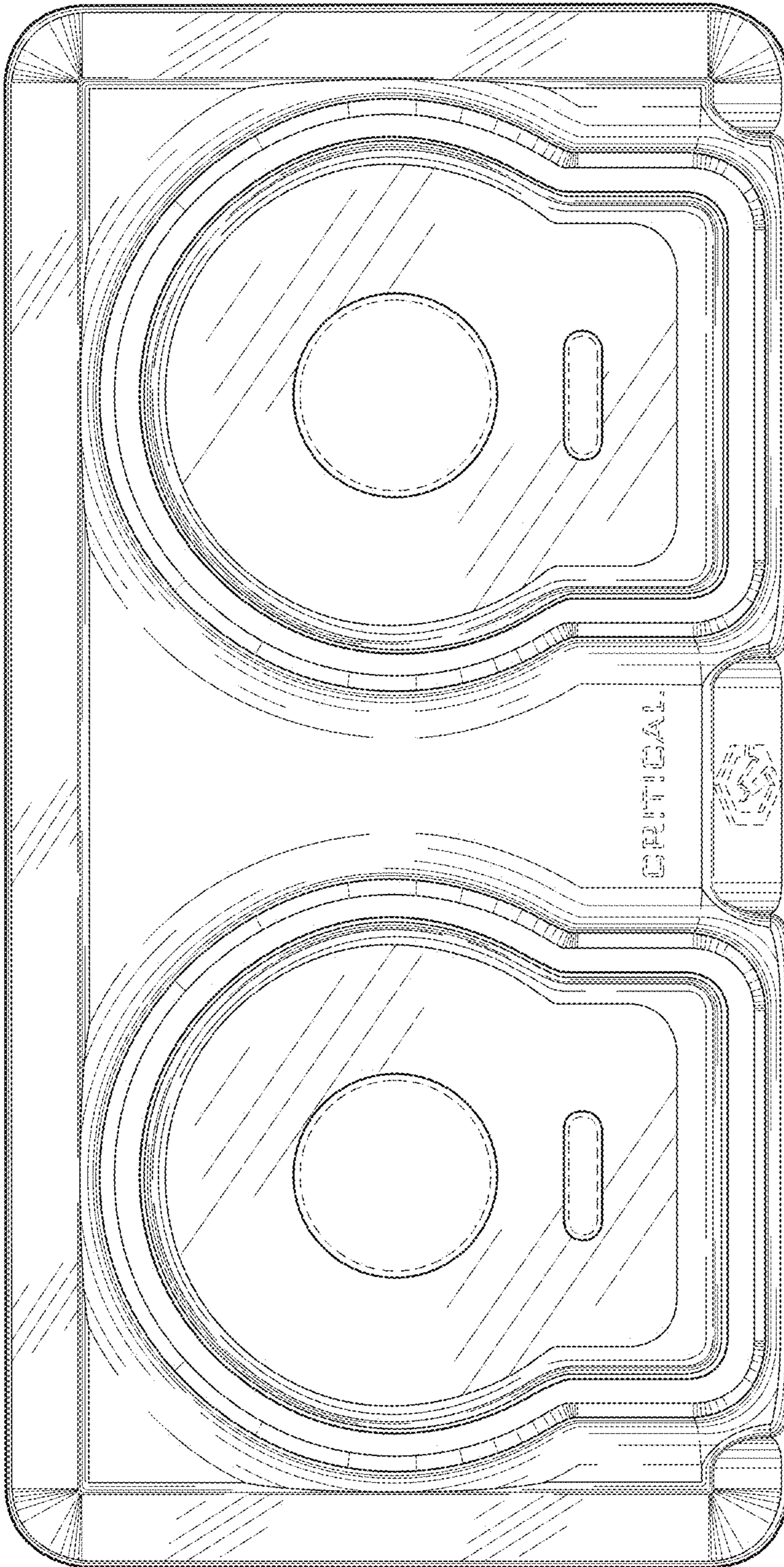


Fig. 7

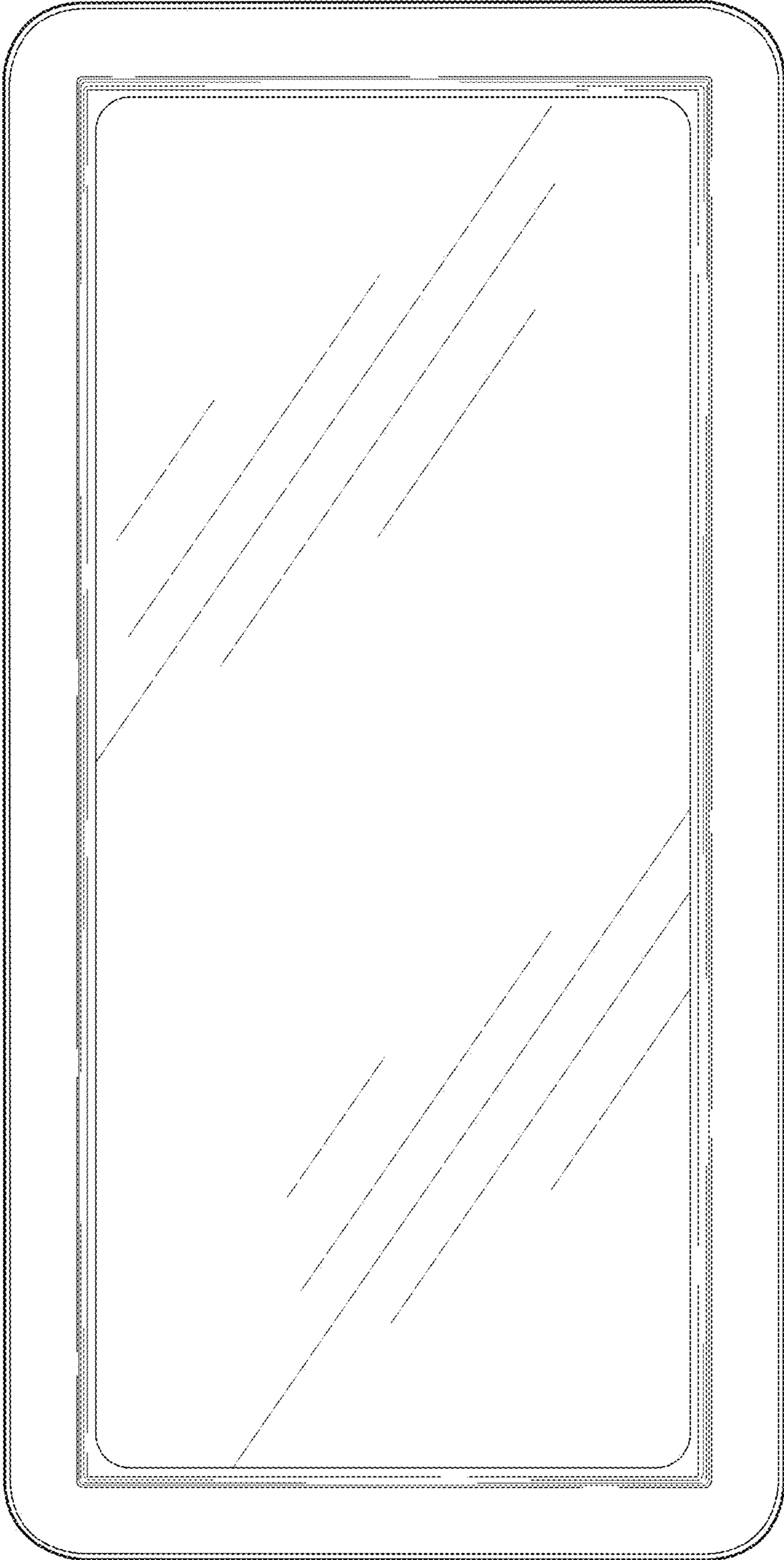


Fig. 8