

US00D967018S

(12) **United States Design Patent**
Turksu et al.

(10) **Patent No.:** **US D967,018 S**
(45) **Date of Patent:** **** Oct. 18, 2022**

(54) **CHARGING STAND**

(71) Applicant: **SARIANA, LLC**, San Diego, CA (US)

(72) Inventors: **Alan Turksu**, San Diego, CA (US);
Mustafa Burak Guclu, San Diego, CA (US)

(73) Assignee: **Sariana LLC**, San Diego, CA (US)

(**) Term: **15 Years**

(21) Appl. No.: **29/744,512**

(22) Filed: **Jul. 29, 2020**

(51) **LOC (13) Cl.** **13-02**

(52) **U.S. Cl.**
USPC **D13/108**

(58) **Field of Classification Search**
USPC D13/103, 107-110, 118, 119, 184, 199;
D14/251, 253, 432, 434
CPC Y02E 60/12; H02J 7/025; H02J 7/0042;
H02J 7/0044; H02J 7/0045; H02J 7/0003;
H02J 7/0027; H02J 7/0013; H02J 7/0054;
H02J 7/00; H02J 3/32; H02J 3/008; H02J
2001/008; H01F 38/14; H01R 13/6675;
H01M 2/1022; H01M 2/1055; H01M
10/44; H01M 10/46; H01M 10/425;
B60R 16/03; B60L 11/1809; B60L
11/1861; B60L 11/182
See application file for complete search history.

(56) **References Cited**

U.S. PATENT DOCUMENTS

D682,200 S * 5/2013 Rautiainen D13/108
D771,180 S * 11/2016 Jenkins D18/4.5

D788,699 S *	6/2017	Hoehn	D13/107
D815,594 S *	4/2018	Chen	D13/108
D845,896 S *	4/2019	Hu	D13/108
D867,282 S *	11/2019	Feng	D13/108
D868,691 S *	12/2019	Sun	D13/108
D870,038 S *	12/2019	Zeng	D13/108
D881,022 S *	4/2020	Long	D10/2
D896,174 S *	9/2020	Li	D13/108
D900,737 S *	11/2020	Hsu	D13/108
D920,240 S *	5/2021	Xiao	D13/108
D923,565 S *	6/2021	Zeng	D13/108

* cited by examiner

Primary Examiner — Christy Nemeth
(74) *Attorney, Agent, or Firm* — Wagenknecht IP Law Group PC

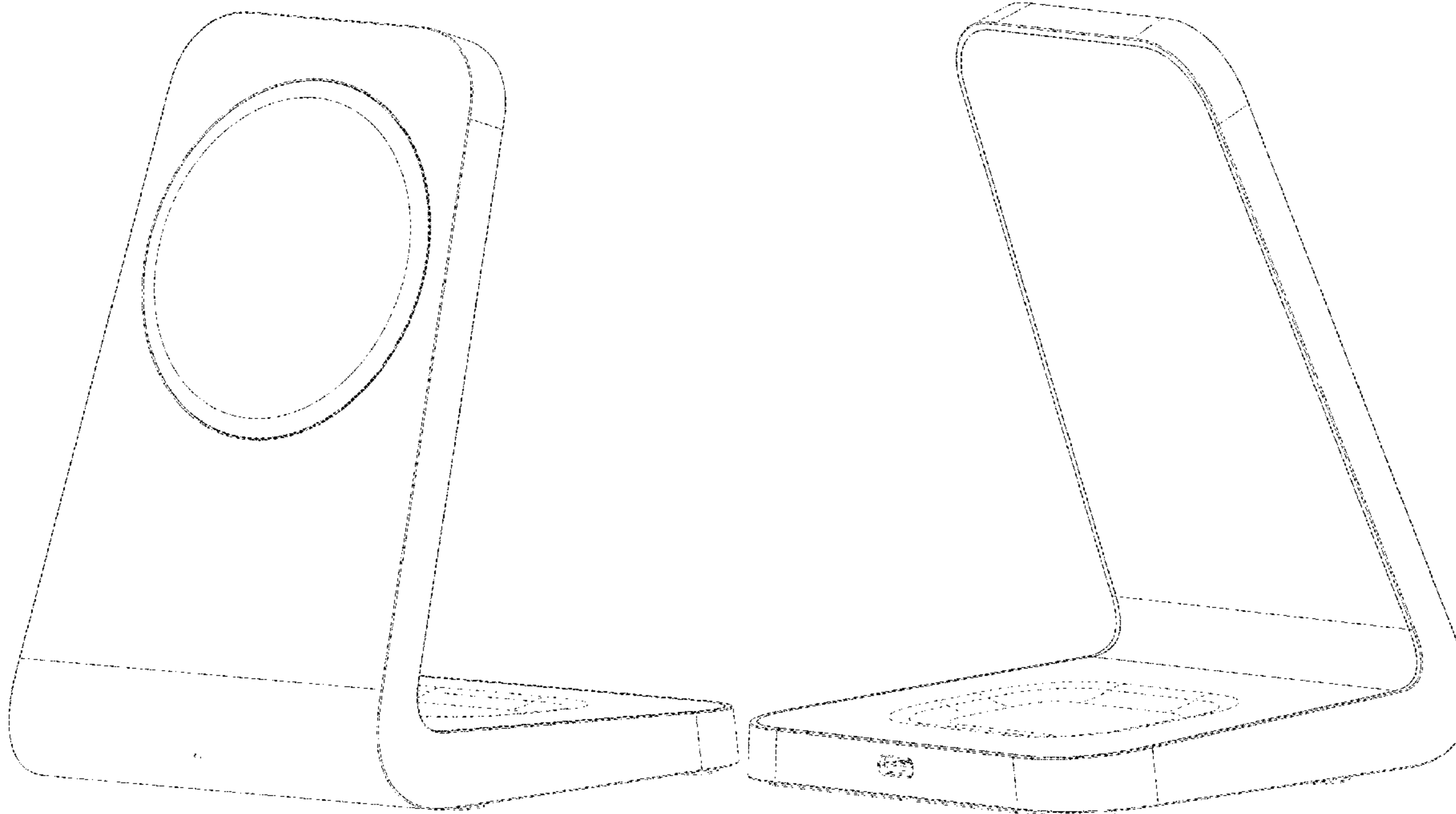
(57) **CLAIM**

What is claimed is the ornamental design for a charging stand, as shown and described.

DESCRIPTION

FIG. 1 is a top, front and left side perspective view of a charging stand showing our new design;
FIG. 2 is a top, rear and right side perspective view thereof;
FIG. 3 is a front elevational view thereof;
FIG. 4 is a rear elevational view thereof;
FIG. 5 is a left side elevational view thereof;
FIG. 6 is a right side elevational view thereof;
FIG. 7 is a top plan view thereof;
FIG. 8 is a bottom plan view thereof; and,
FIG. 9 is a top, front, and left perspective view thereof, showing the charging stand in use.
The broken lines in the drawings are for the purpose of illustrating both environmental subject matter and portions of the article that form no part of the claimed design.

1 Claim, 9 Drawing Sheets



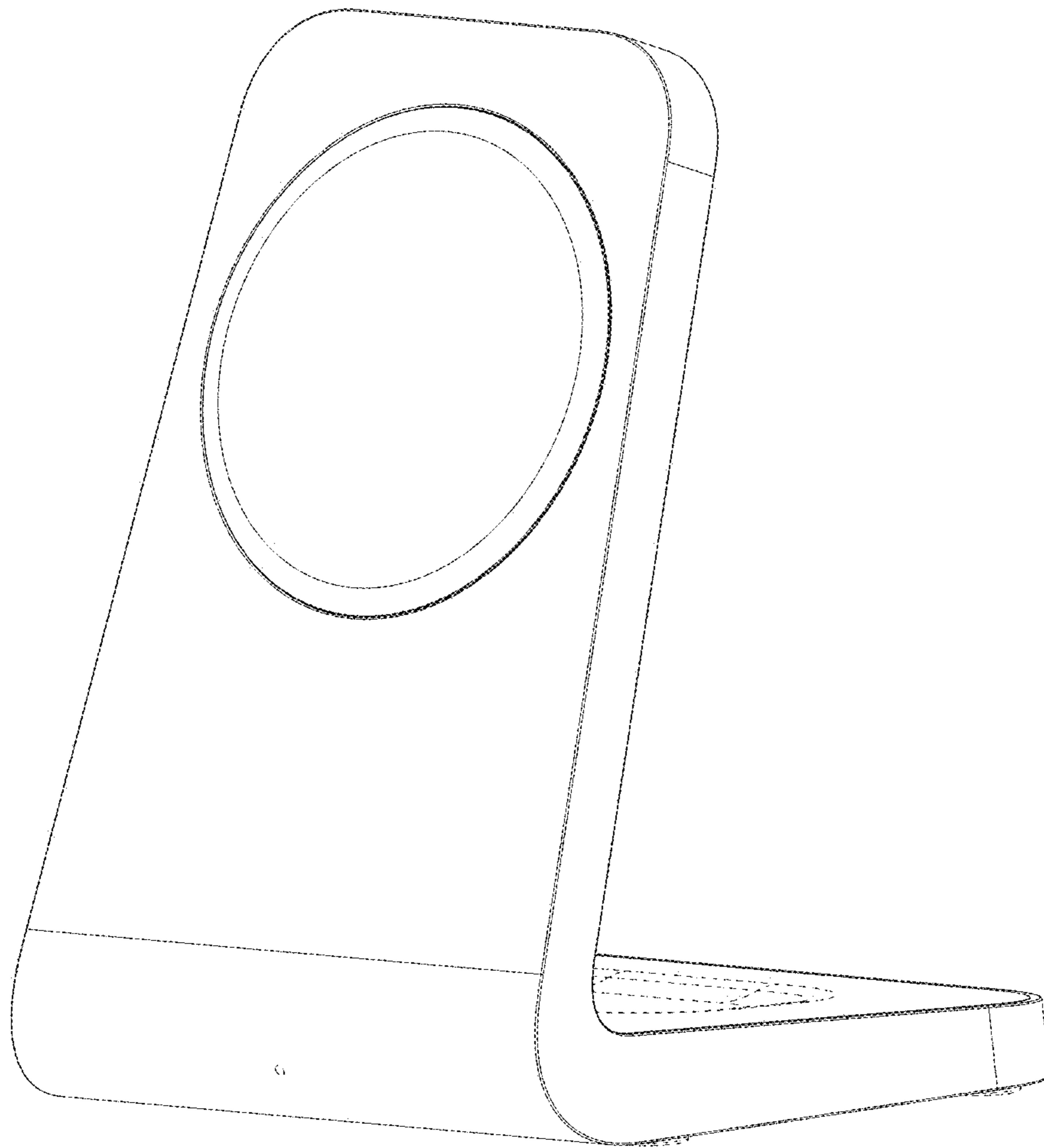


FIG. 1

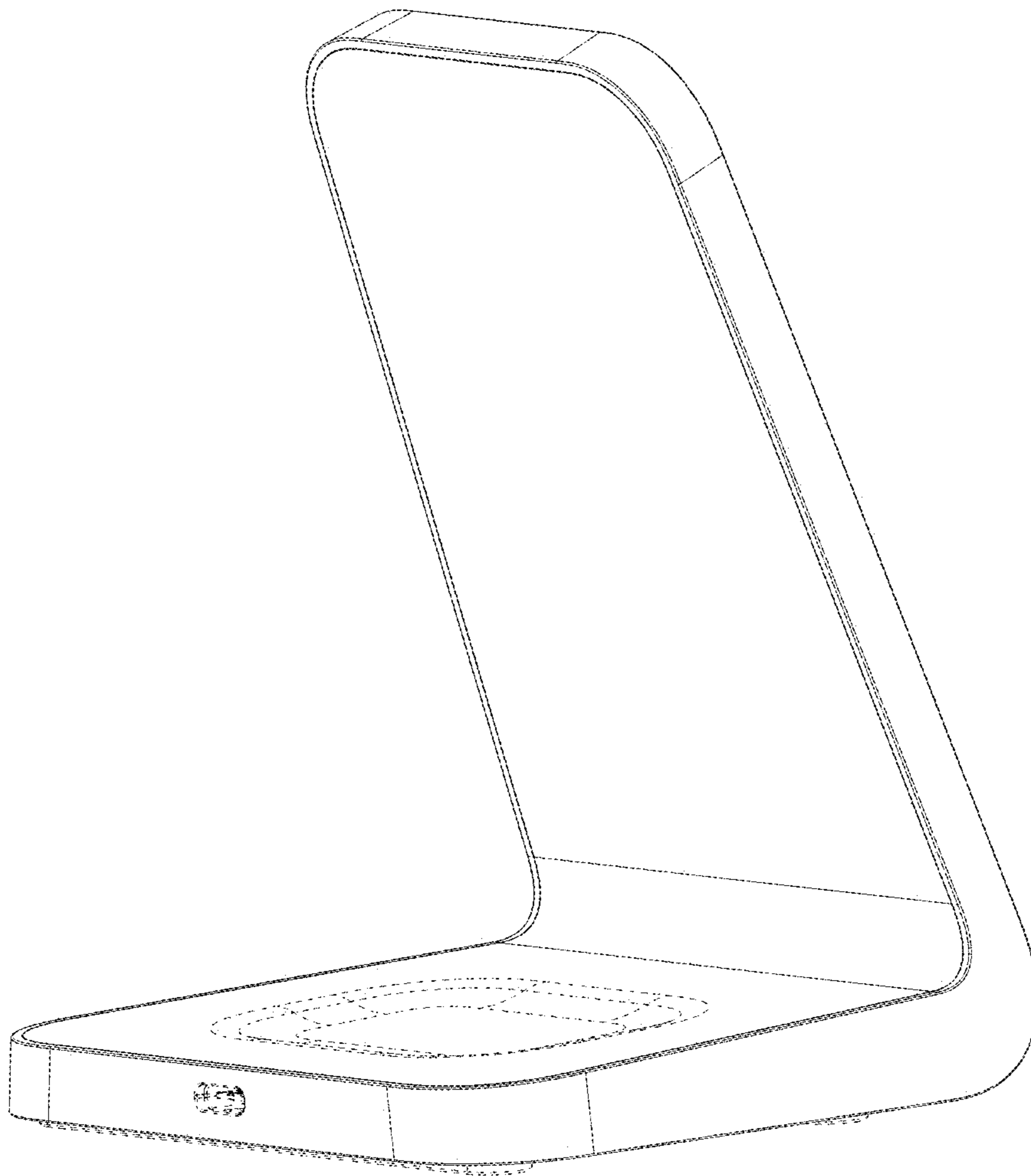


FIG. 2

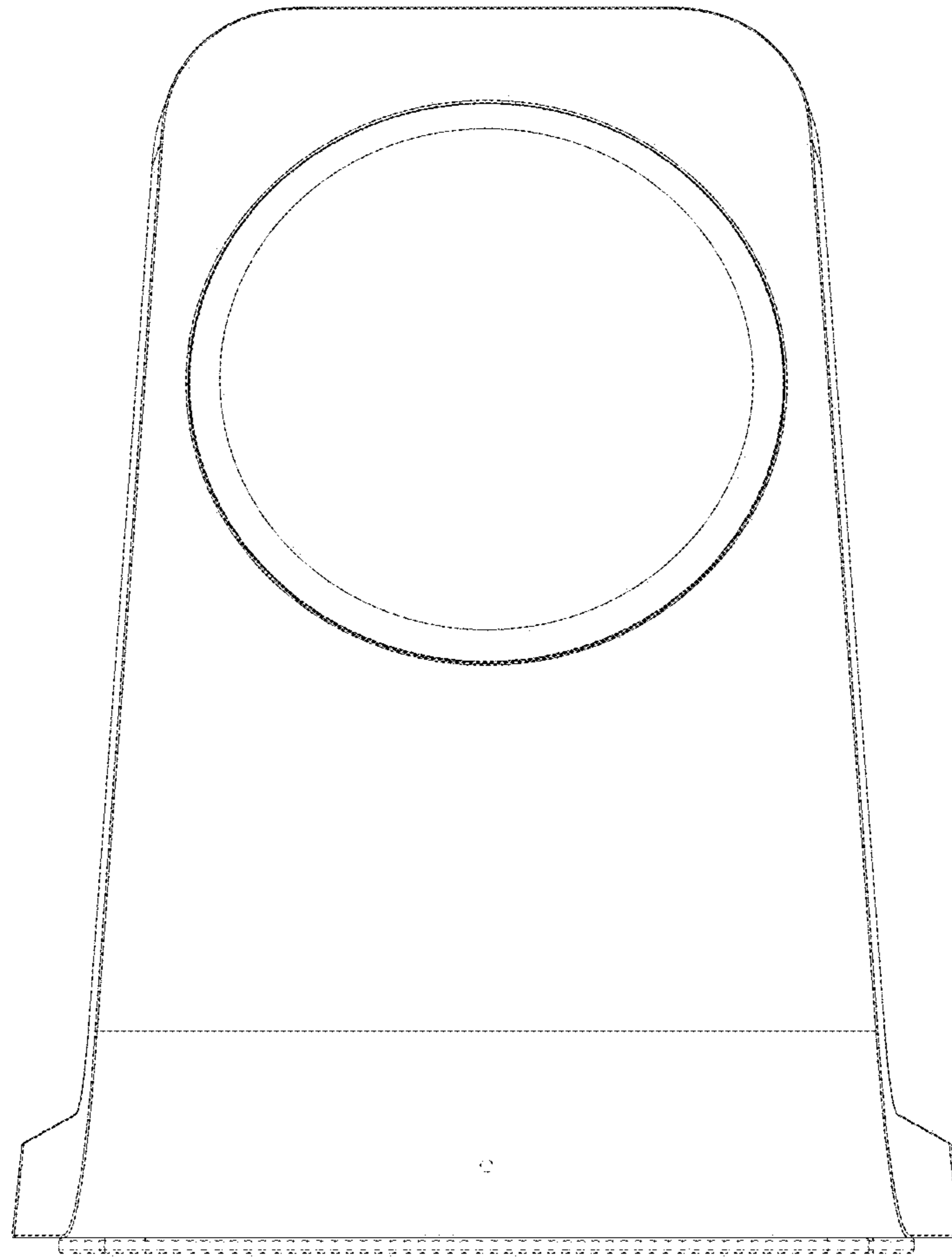


FIG. 3

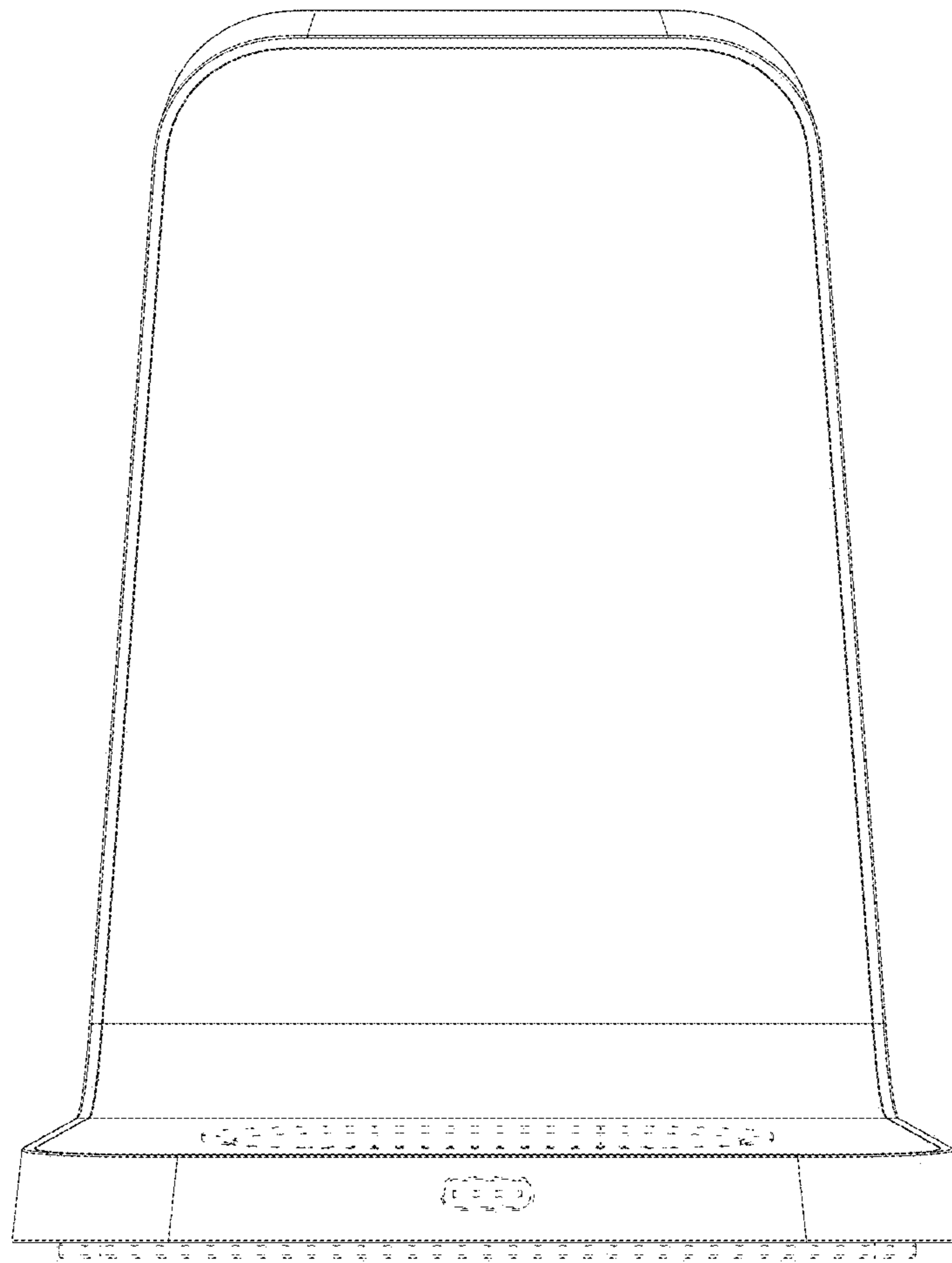


FIG. 4

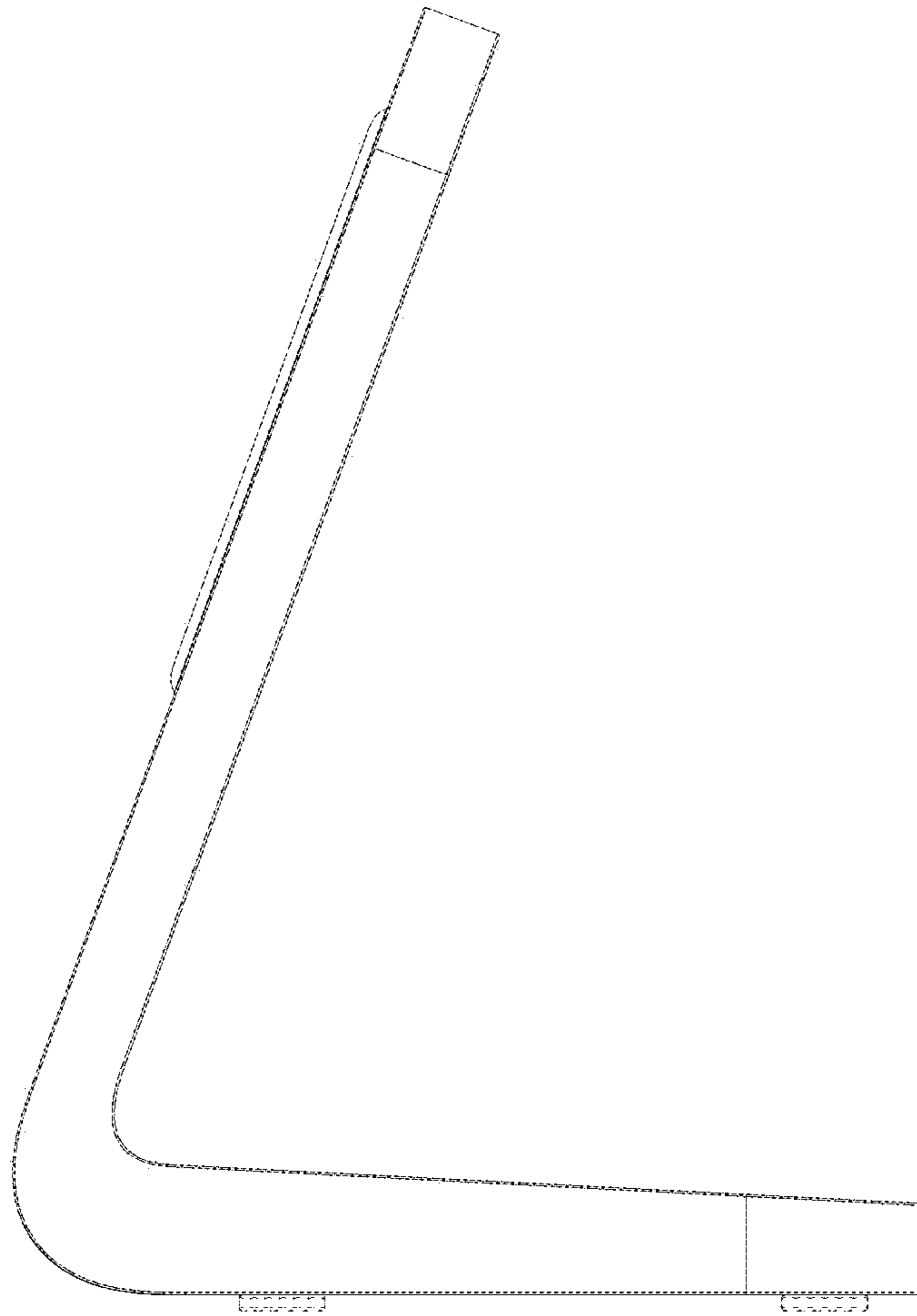


FIG. 5

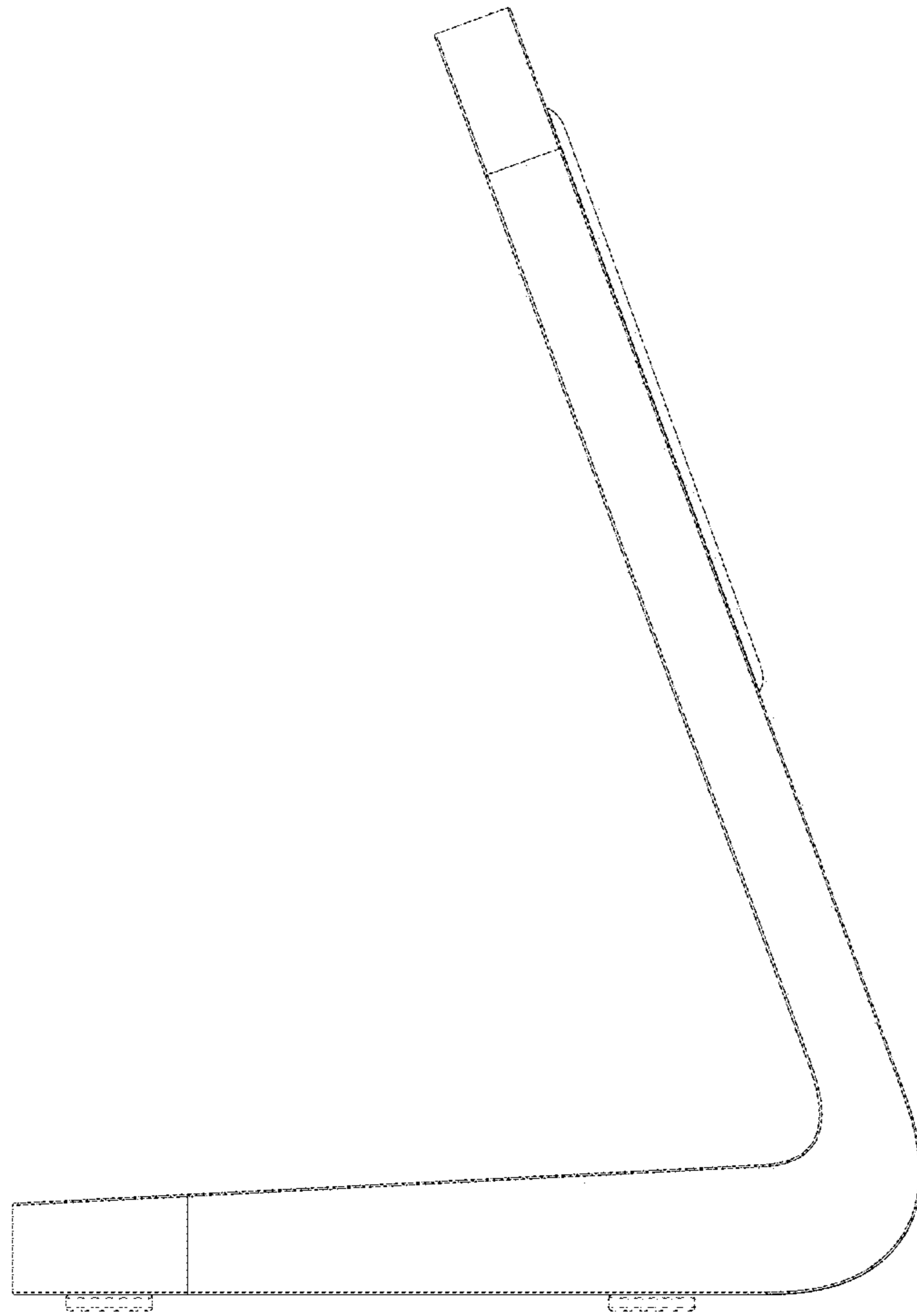


FIG. 6

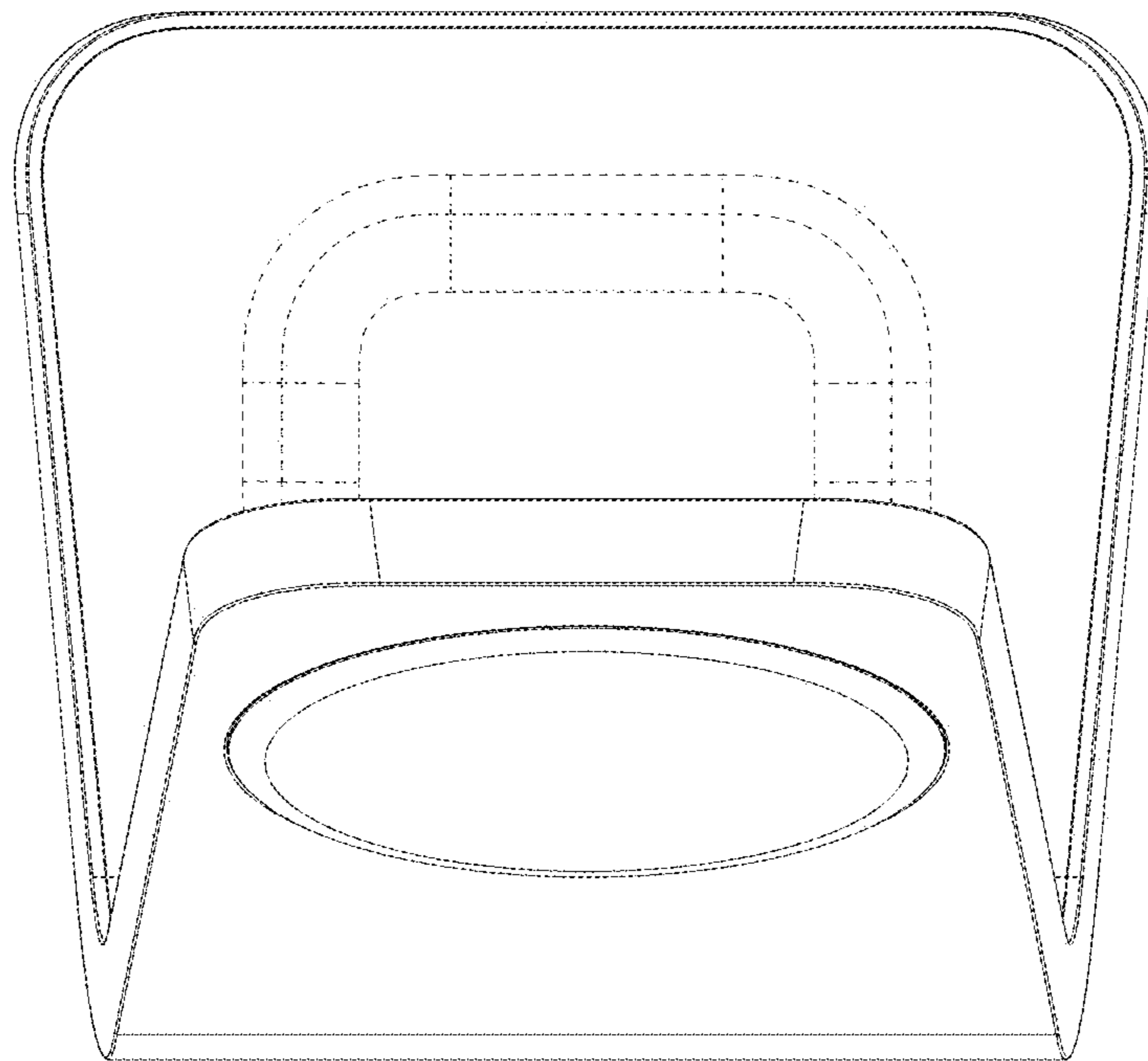


FIG. 7

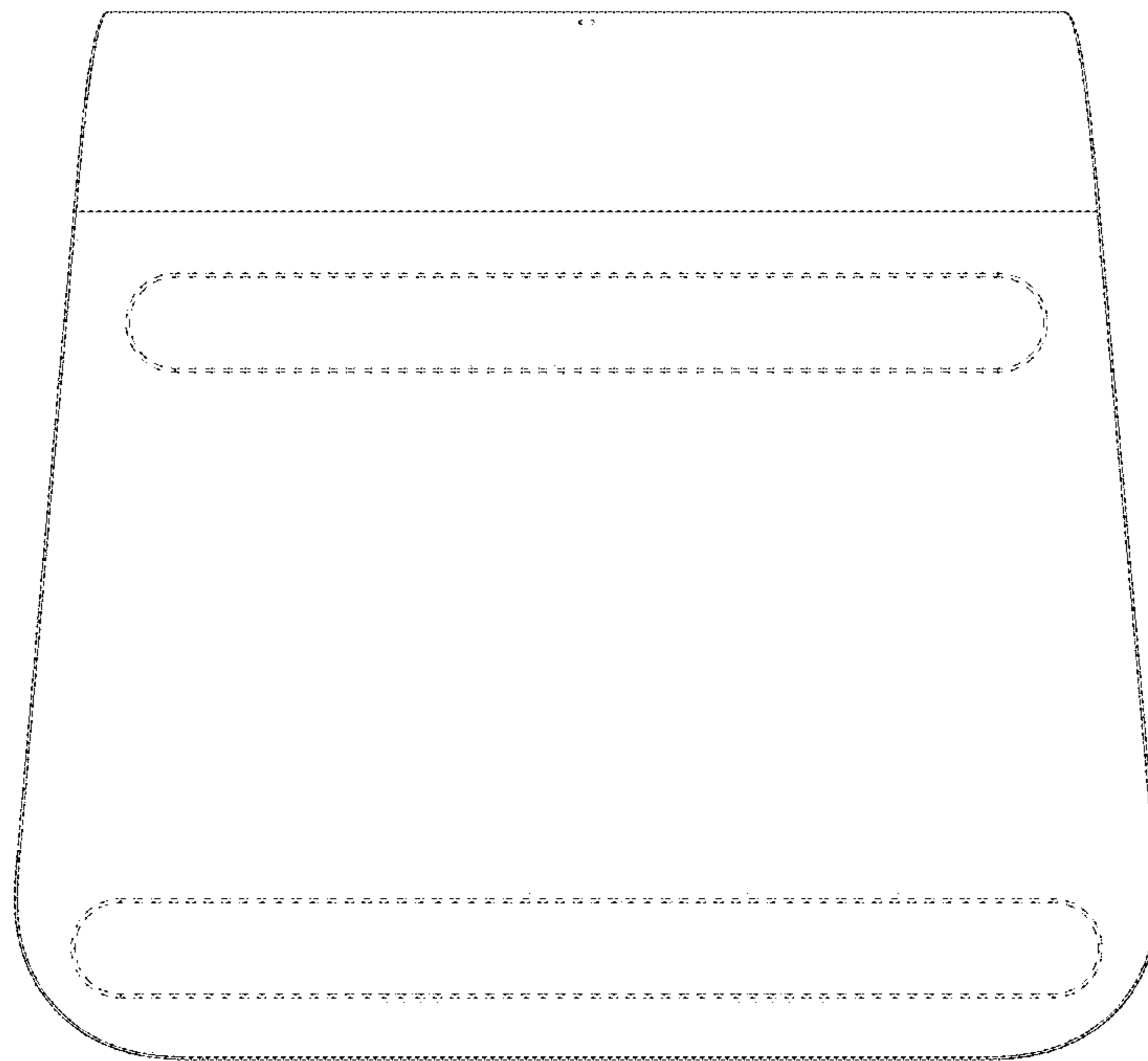


FIG. 8

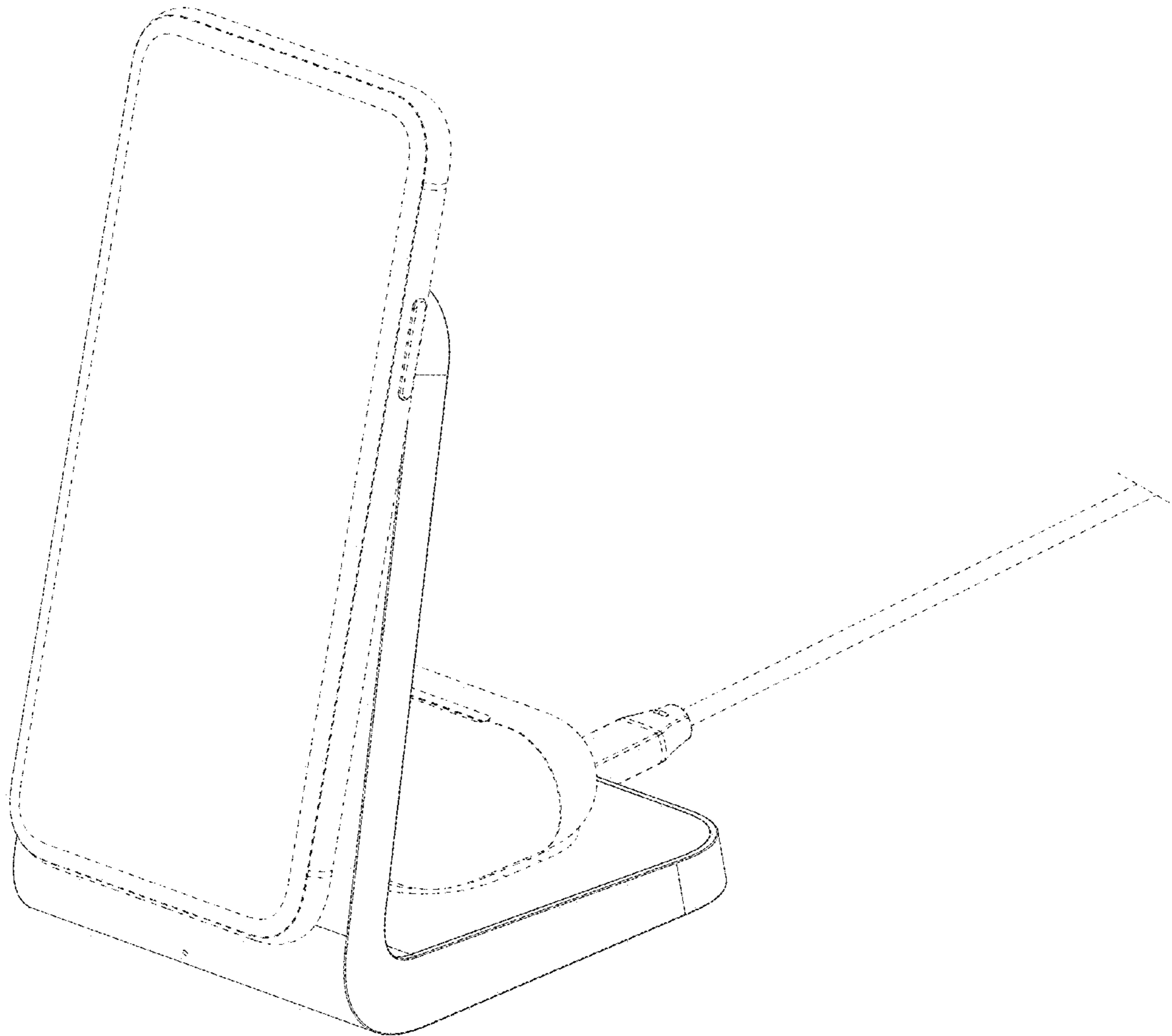


FIG. 9