



US00D967016S

(12) **United States Design Patent** (10) **Patent No.:** **US D967,016 S**
Kanakis (45) **Date of Patent:** **** Oct. 18, 2022**

(54) **WIRELESS POWER BANK**
(71) Applicant: **MIWORLD ACCESSORIES LLC**,
New York, NY (US)
(72) Inventor: **Andrew Kanakis**, New York, NY (US)
(73) Assignee: **MIWORLD ACCESSORIES LLC**,
New York, NY (US)
(**) Term: **15 Years**
(21) Appl. No.: **29/680,103**

Primary Examiner — Rosemary K Tarcza
(74) *Attorney, Agent, or Firm* — Notaro, Michalos &
Zaccaria P.C.

(22) Filed: **Feb. 13, 2019**
(51) **LOC (13) Cl.** **13-02**
(52) **U.S. Cl.**
USPC **D13/108; D13/103**
(58) **Field of Classification Search**
USPC D13/102, 103, 106–108, 110, 118–119,
D13/184, 199; D14/251, 253, 432, 434
CPC H02J 7/0042; H02J 7/0044; H02J 7/0045;
H02J 7/0047; H02J 7/0003; H02J
7/00047; H02J 7/0013; H02J 7/0027;
H02J 1/122; H02J 7/00; H02J 50/00;
H02J 50/10; H02J 50/12; H02J 50/80;
H02J 7/025; H02J 7/005; B60R 16/033;
H01M 10/44; H01M 10/46
See application file for complete search history.

(57) **CLAIM**

The ornamental design for a wireless power bank, as shown and described.

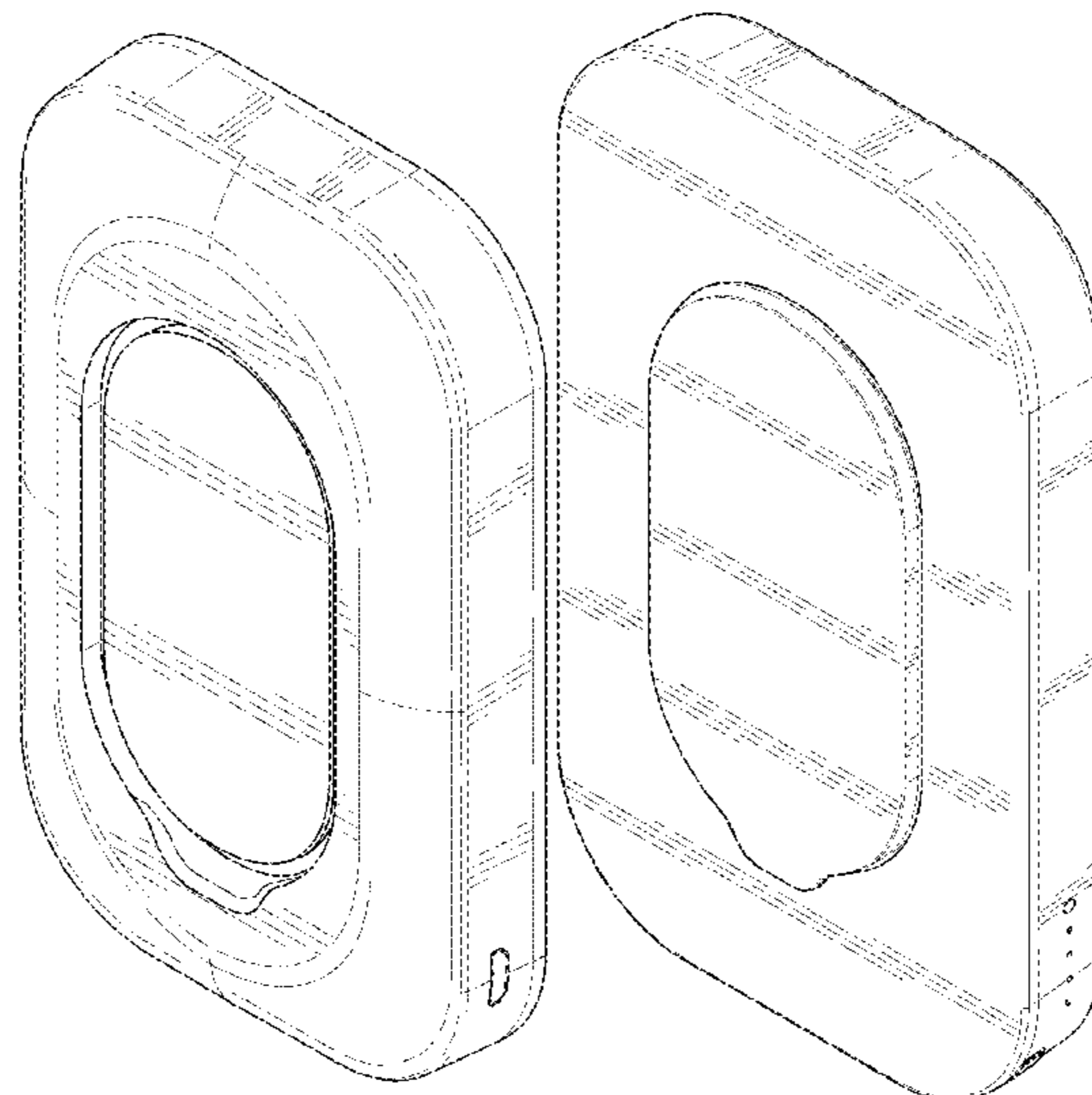
DESCRIPTION

FIG. 1 is a front, top, right perspective view of a wireless power bank showing my new design therefor; FIG. 2 is a rear, top perspective view thereof; FIG. 3 is a rear elevational view thereof; FIG. 4 is a front elevational view thereof; FIG. 5 is a right side elevational view thereof; FIG. 6 is a left side elevational view thereof; FIG. 7 is a top plan view thereof; FIG. 8 is a bottom plan view thereof; FIG. 9 is a front, top, right perspective view of my design showing a cover removed from a rear side of the power bank installed in a recess in the front side of the power bank; FIG. 10 is a rear, top, left perspective view of the power bank with the cover removed; FIG. 11 is a front elevational view thereof; FIG. 12 is a rear elevational view thereof; FIG. 13 is a right side elevational view thereof; FIG. 14 is a left side elevational view thereof; FIG. 15 is a top plan view thereof; FIG. 16 is a bottom plan view thereof; and, FIG. 17 is a front, top, right perspective view of my design with the cover in the recess shown as it would appear engaged with a smart phone to be wirelessly charged. Throughout the drawings, the broken lines show environment and form no part of the design.

(56) **References Cited**
U.S. PATENT DOCUMENTS
D578,960 S * 10/2008 Fisher D13/108
D762,168 S * 7/2016 Sandoval D13/107
D782,415 S * 3/2017 Zhang D13/108
9,601,933 B2 3/2017 Graham
D816,029 S * 4/2018 Dai D13/103
D858,436 S * 9/2019 Chen D13/108
(Continued)

OTHER PUBLICATIONS
Libtech, “BricksPower, first-ever true wireless charger on the go”,
<https://www.kickstarter.com/projects/349007245/brickspower-first-ever-true-wireless-charger-on-th>; Kickstarter, PBC, 2019.

1 Claim, 17 Drawing Sheets



(56)

References Cited

U.S. PATENT DOCUMENTS

D873,213	S	*	1/2020	Wu	D13/108
D876,356	S	*	2/2020	Tanaka	D13/123
D877,070	S	*	3/2020	Lemelson	D13/103
D881,120	S	*	4/2020	Ai	D13/103
D881,122	S	*	4/2020	Yao	D13/103
D887,974	S	*	6/2020	Chen	D13/108
D887,977	S	*	6/2020	Weinstein	H02J 7/00 D13/108
D890,092	S	*	7/2020	Jiang	D13/103
D896,749	S	*	9/2020	Wu	D13/107
D906,958	S	*	1/2021	Fitzgerald	D13/108
D908,610	S	*	1/2021	Woo	D13/103
D909,968	S	*	2/2021	Chen	D13/108
D936,572	S	*	11/2021	Turksu	D13/108
D941,240	S	*	1/2022	Gong	D13/108
D941,761	S	*	1/2022	Liao	D13/110
D942,931	S	*	2/2022	Fang	D13/110
D942,935	S	*	2/2022	Wang	D13/107
D943,516	S	*	2/2022	Wang	D13/107
D947,116	S	*	3/2022	Al	D13/103
D948,430	S	*	4/2022	Zhou	D7/367
D951,182	S	*	5/2022	Gong	D13/103
D958,064	S	*	7/2022	Finocchiaro	D13/107
2014/0210405	A1		7/2014	Yang		
2014/0308995	A1		10/2014	Wu		
2015/0050881	A1		2/2015	Chen et al.		
2016/0064141	A1		3/2016	Graham et al.		
2020/0259345	A1*		8/2020	Kanakis	H02J 7/342
2020/0259368	A1*		8/2020	Miller	H02J 50/10

* cited by examiner

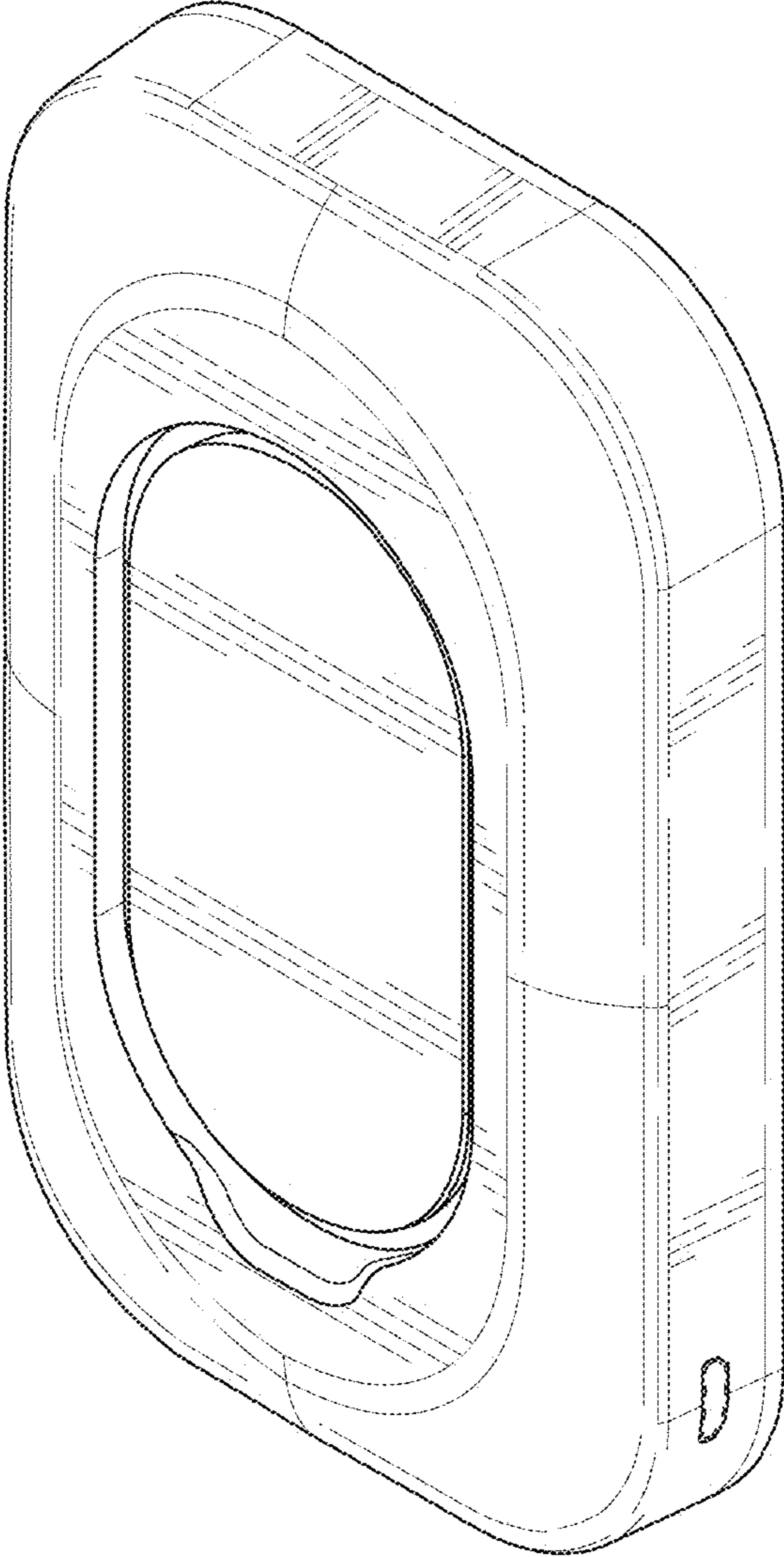


FIG. 1

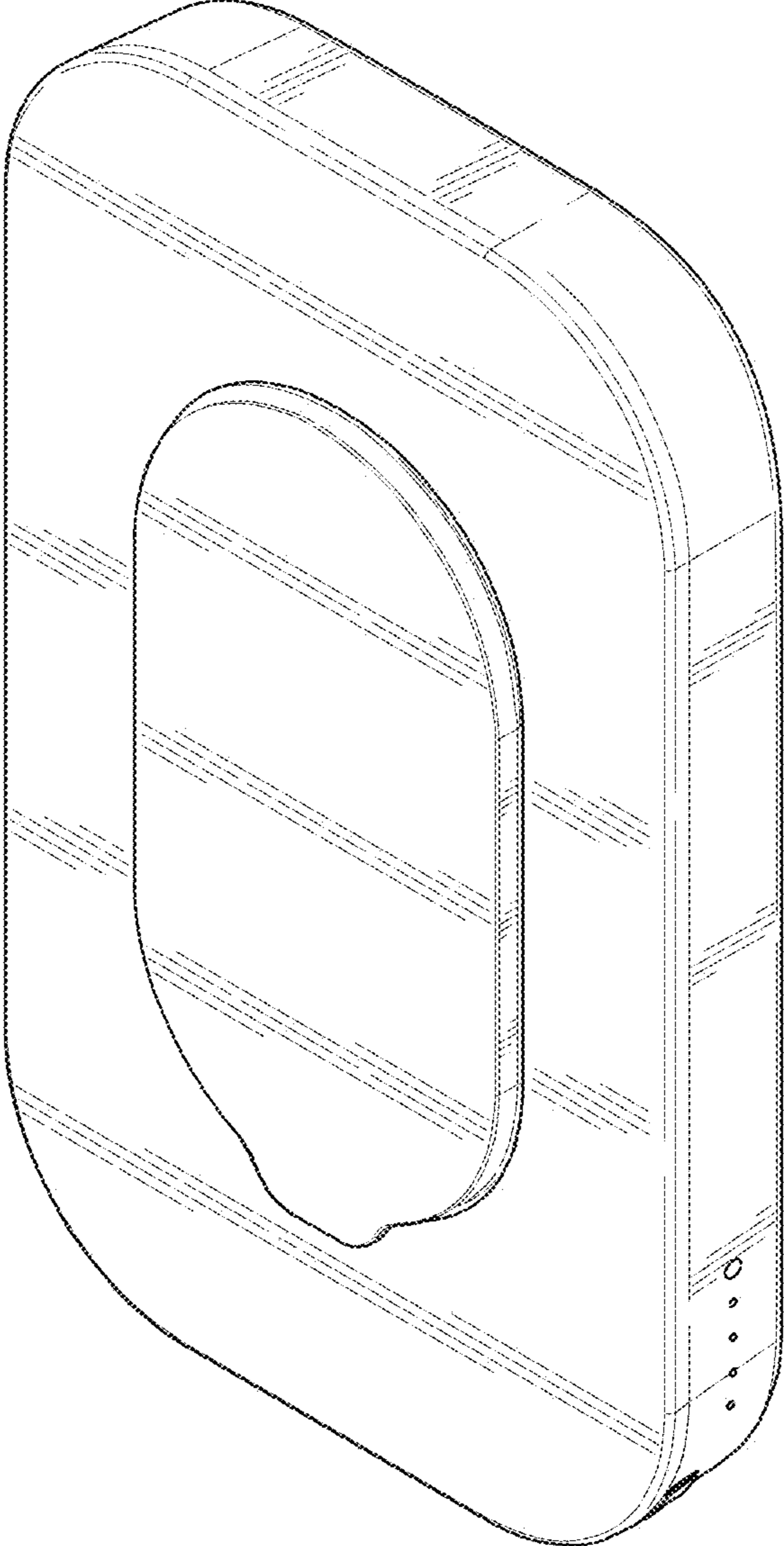


FIG. 2

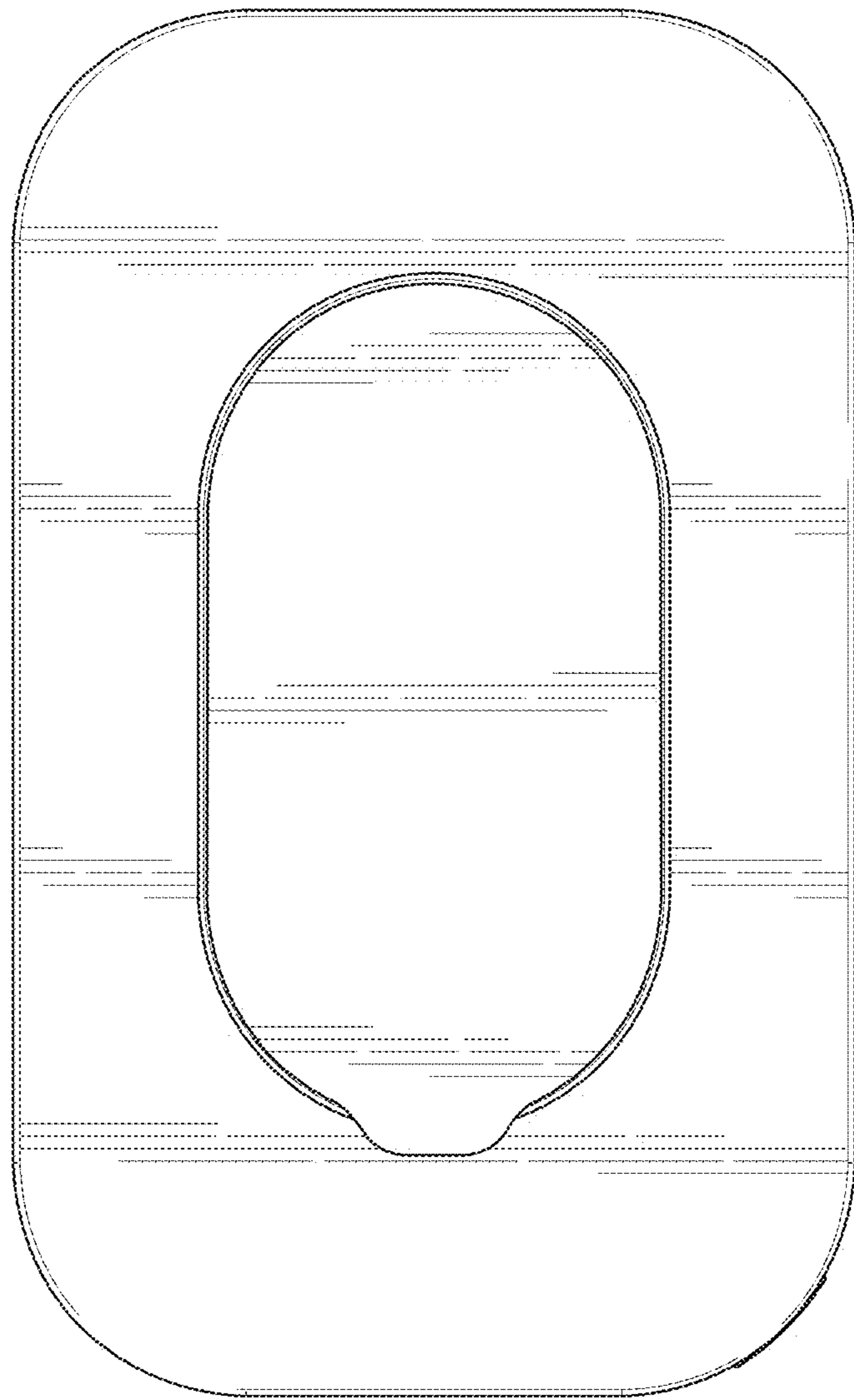


FIG. 3

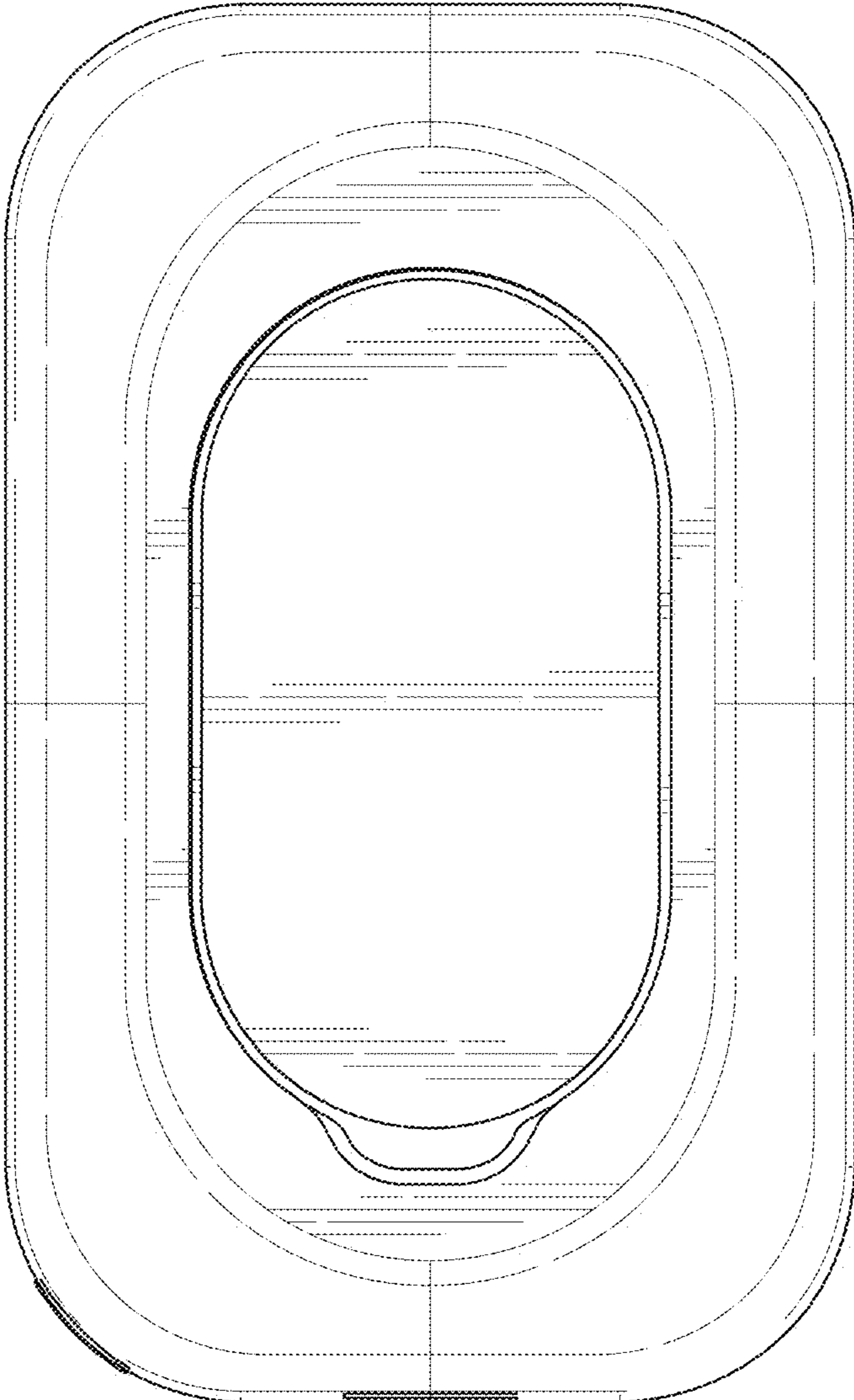


FIG. 4

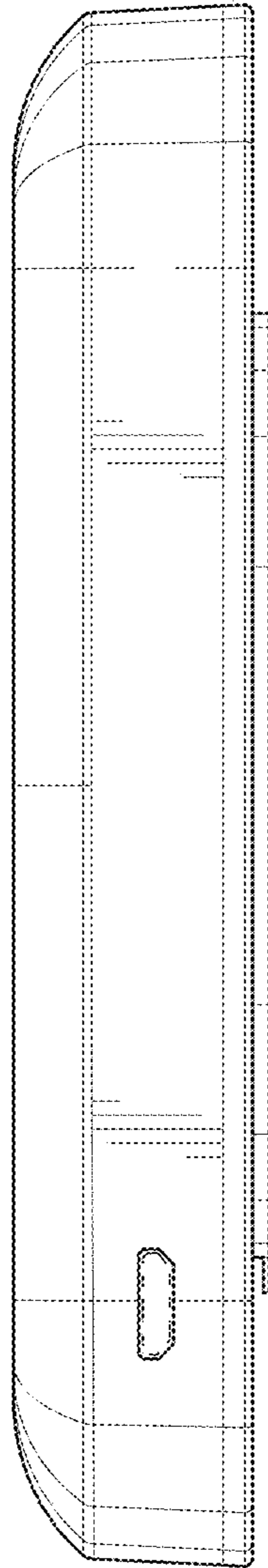


FIG. 5

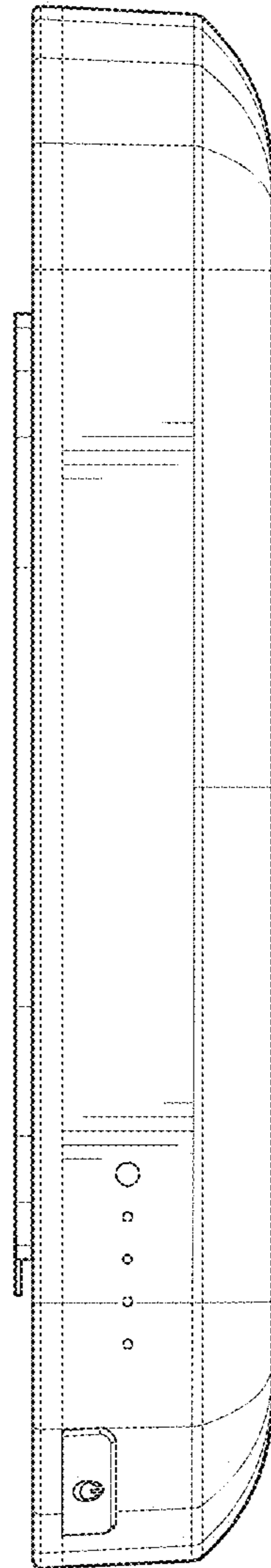


FIG. 6

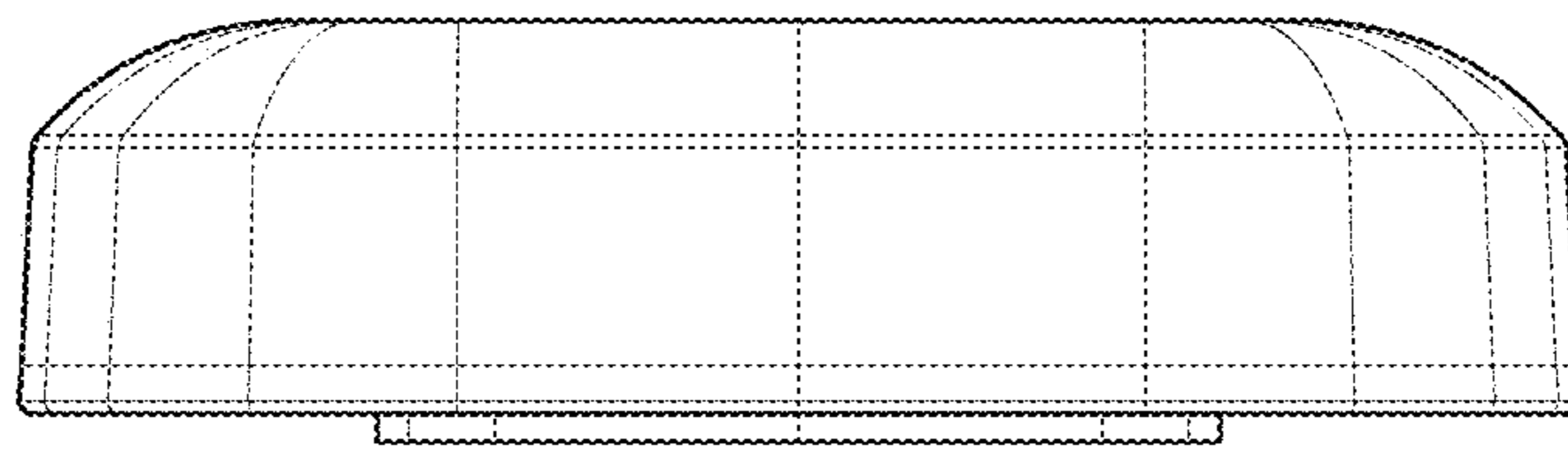


FIG. 7

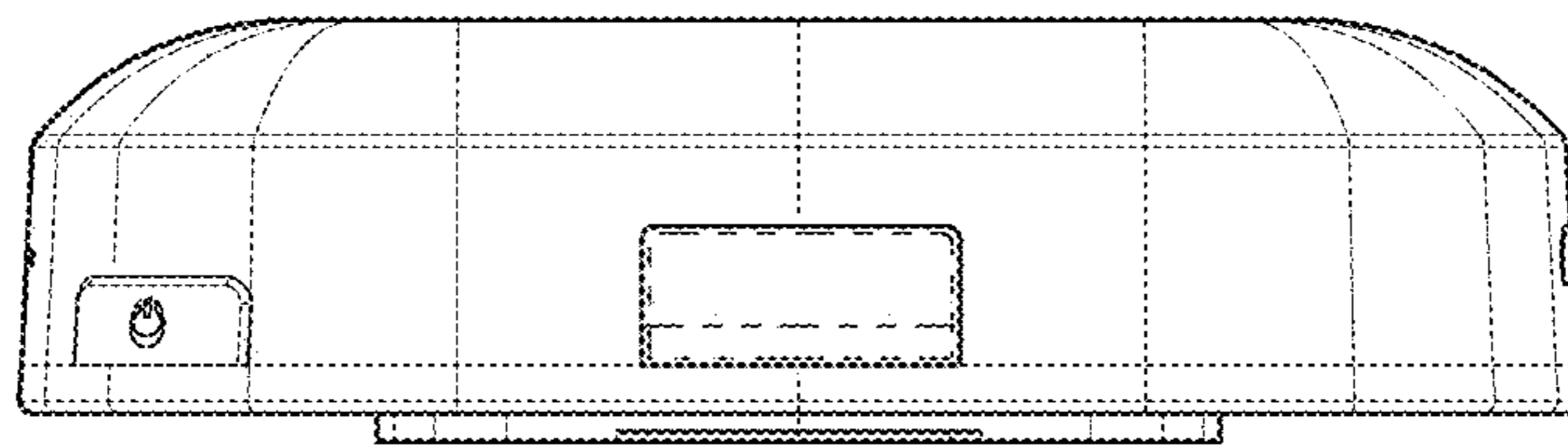


FIG. 8

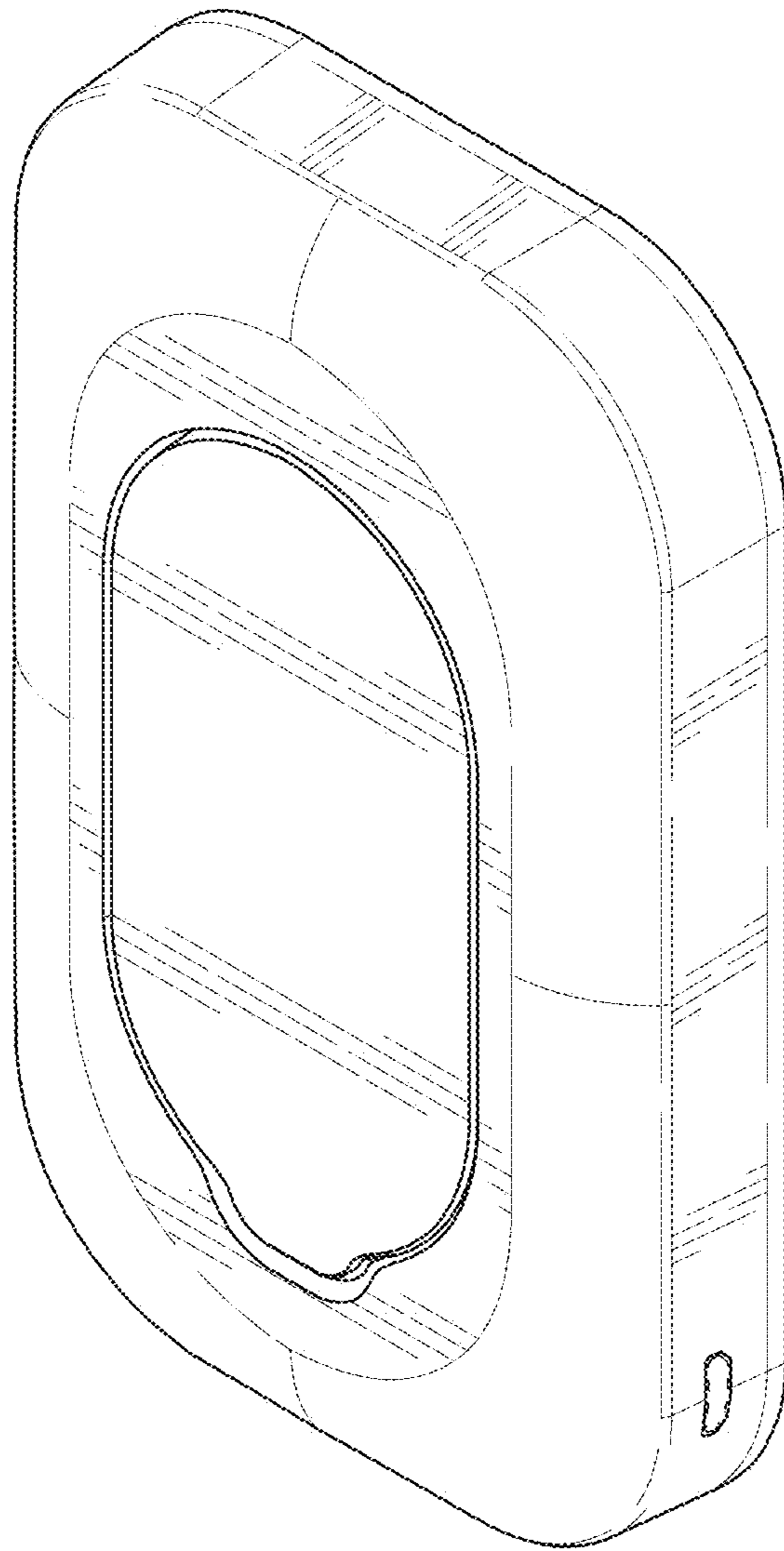


FIG. 9

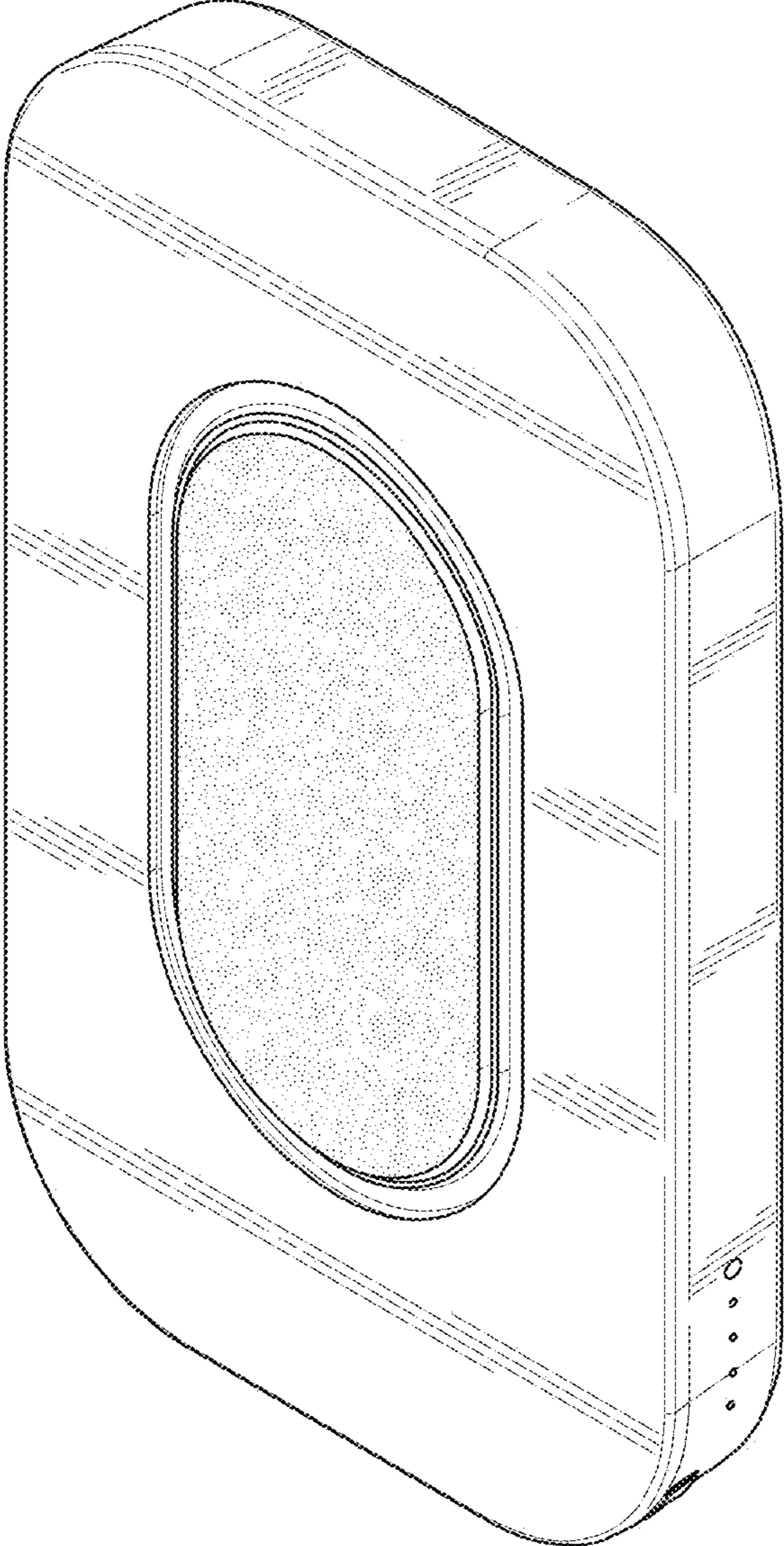


FIG. 10

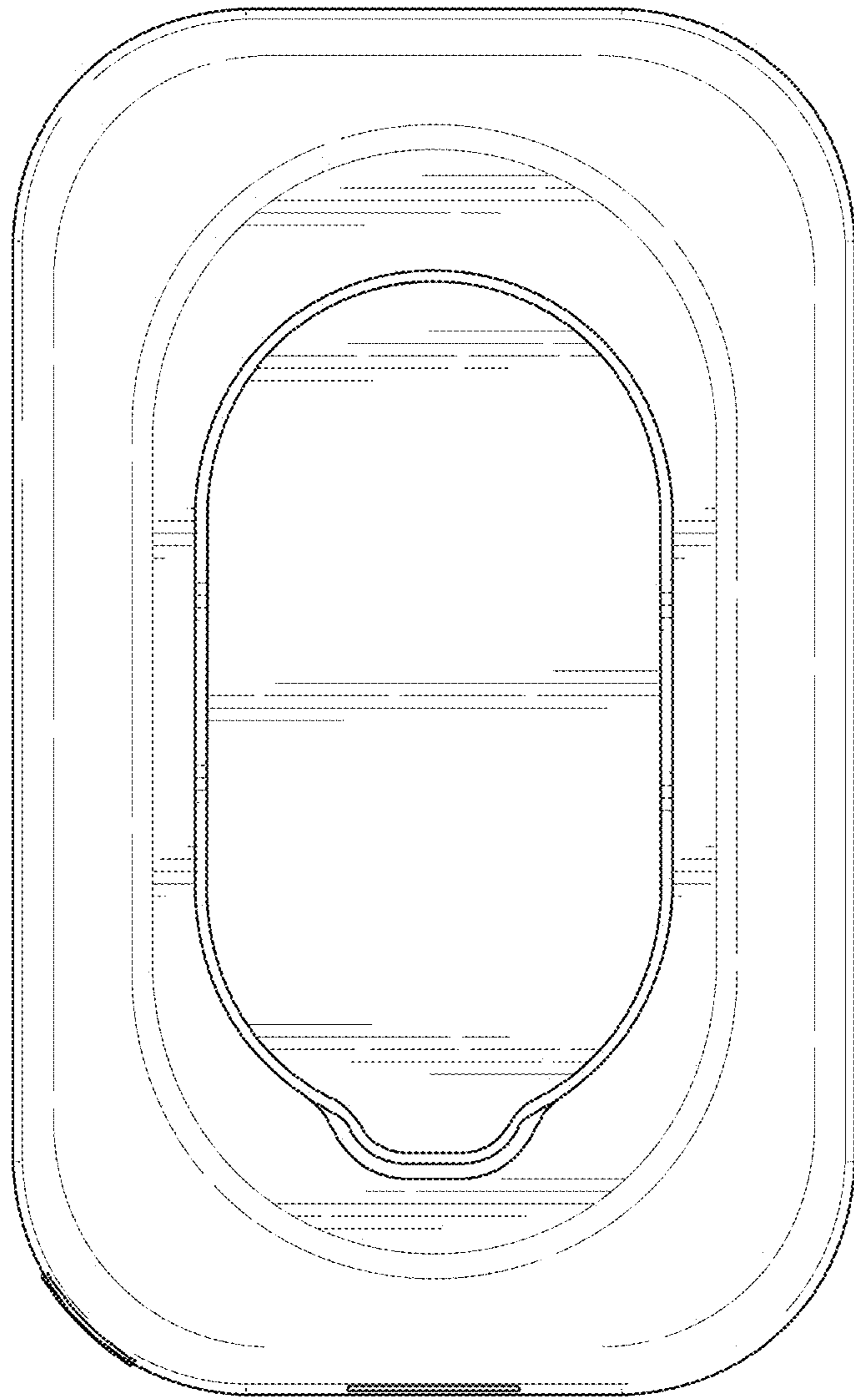


FIG. 11

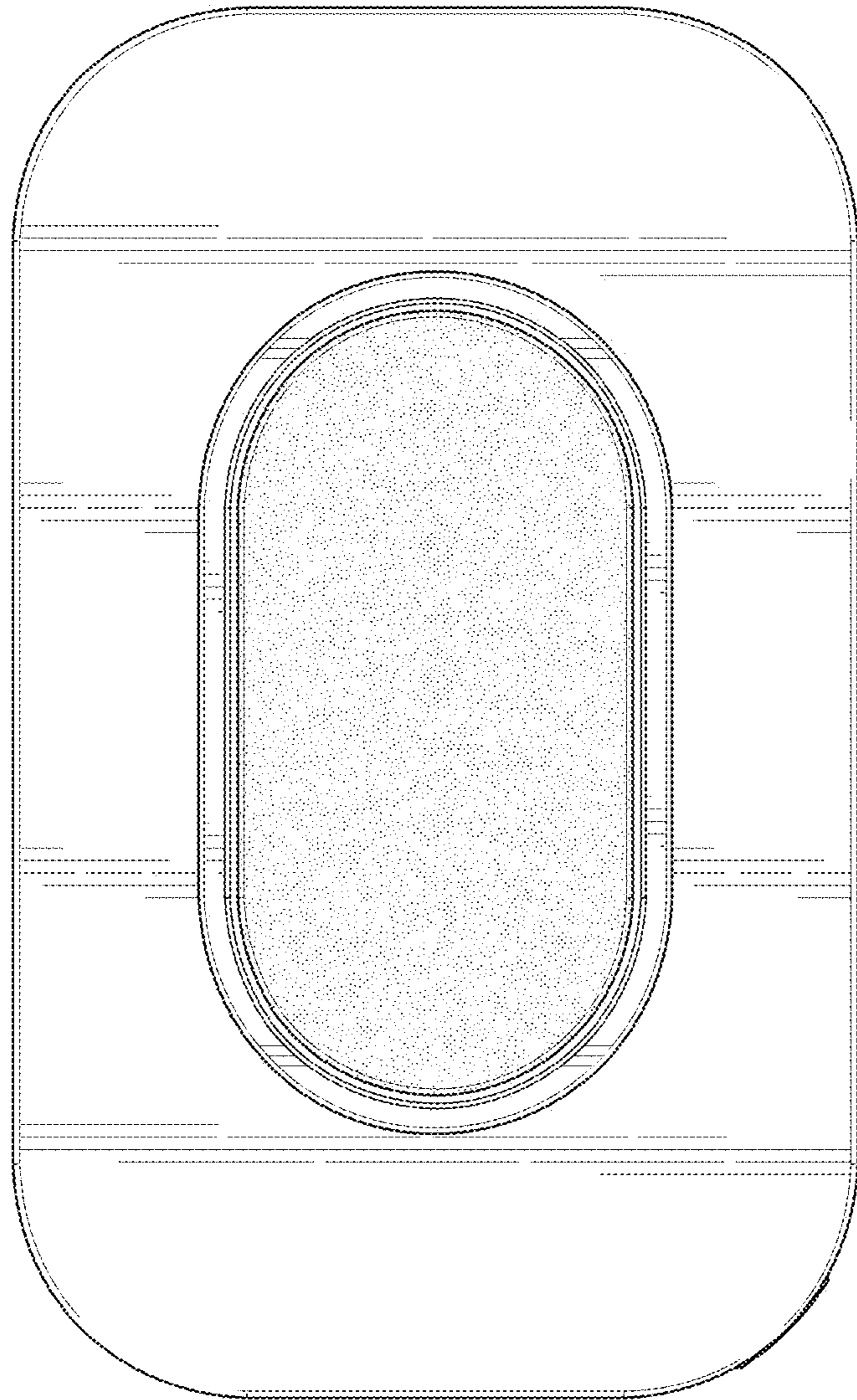


FIG. 12

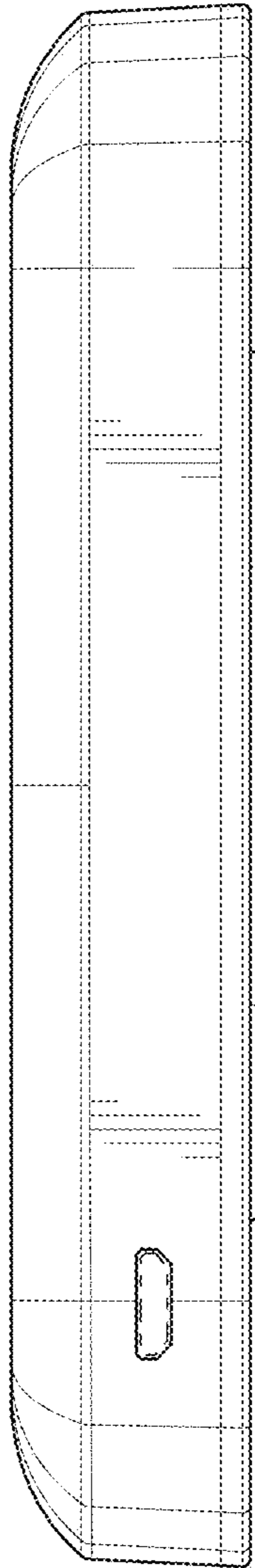


FIG. 13

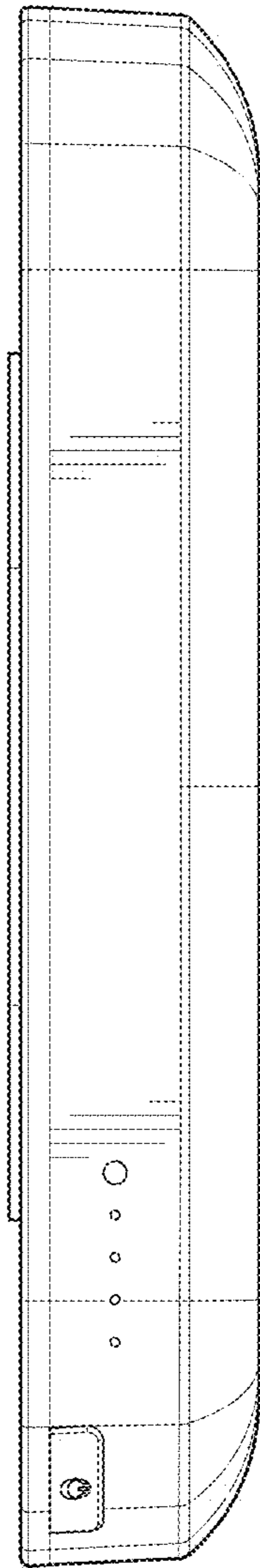


FIG. 14

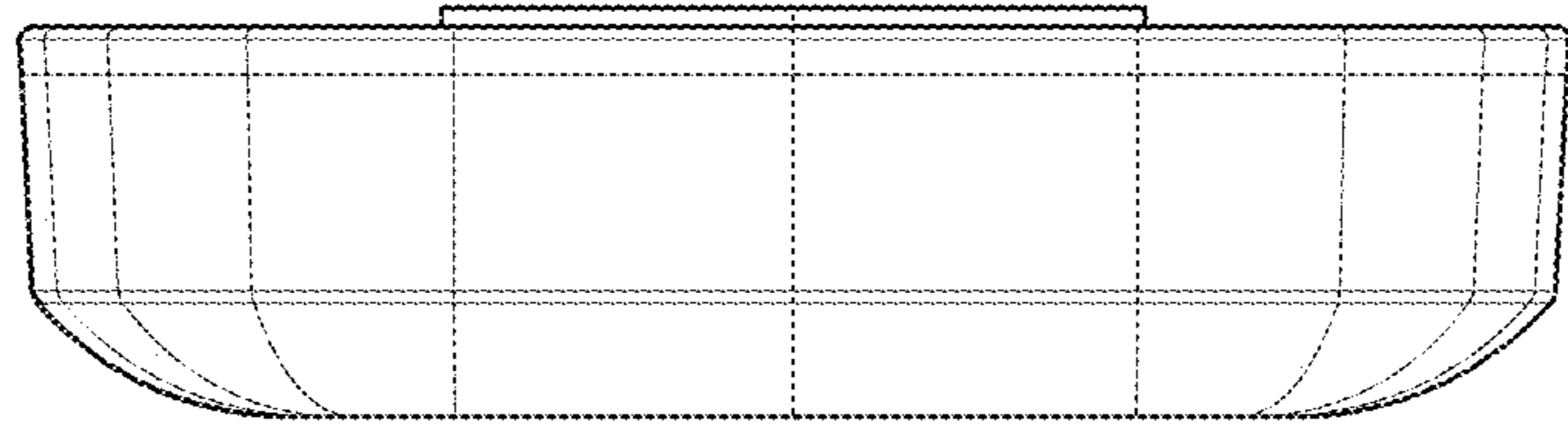


FIG. 15

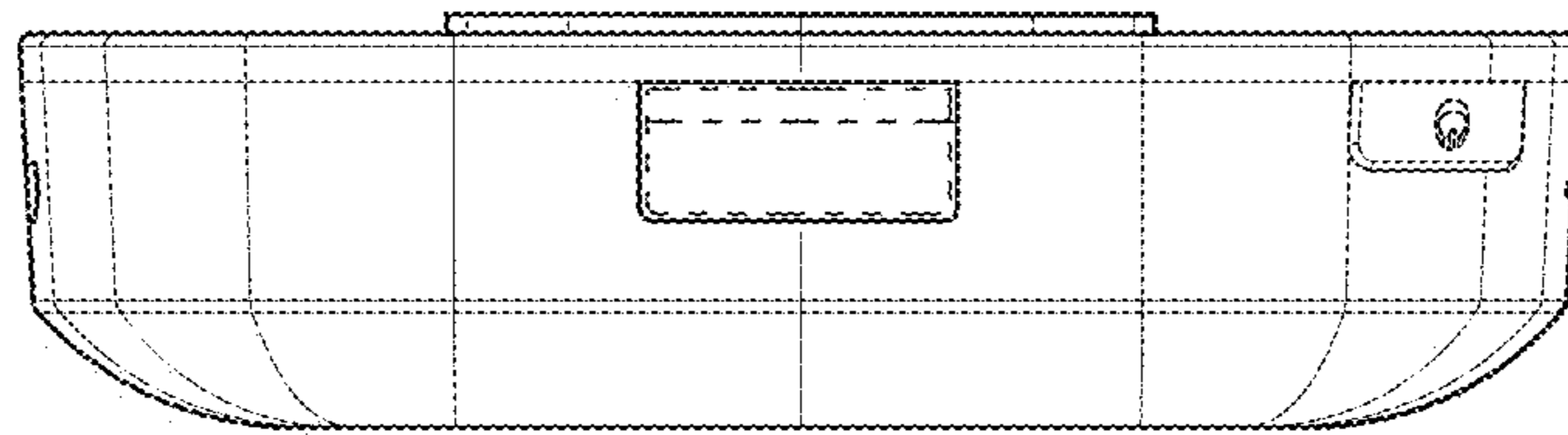


FIG. 16

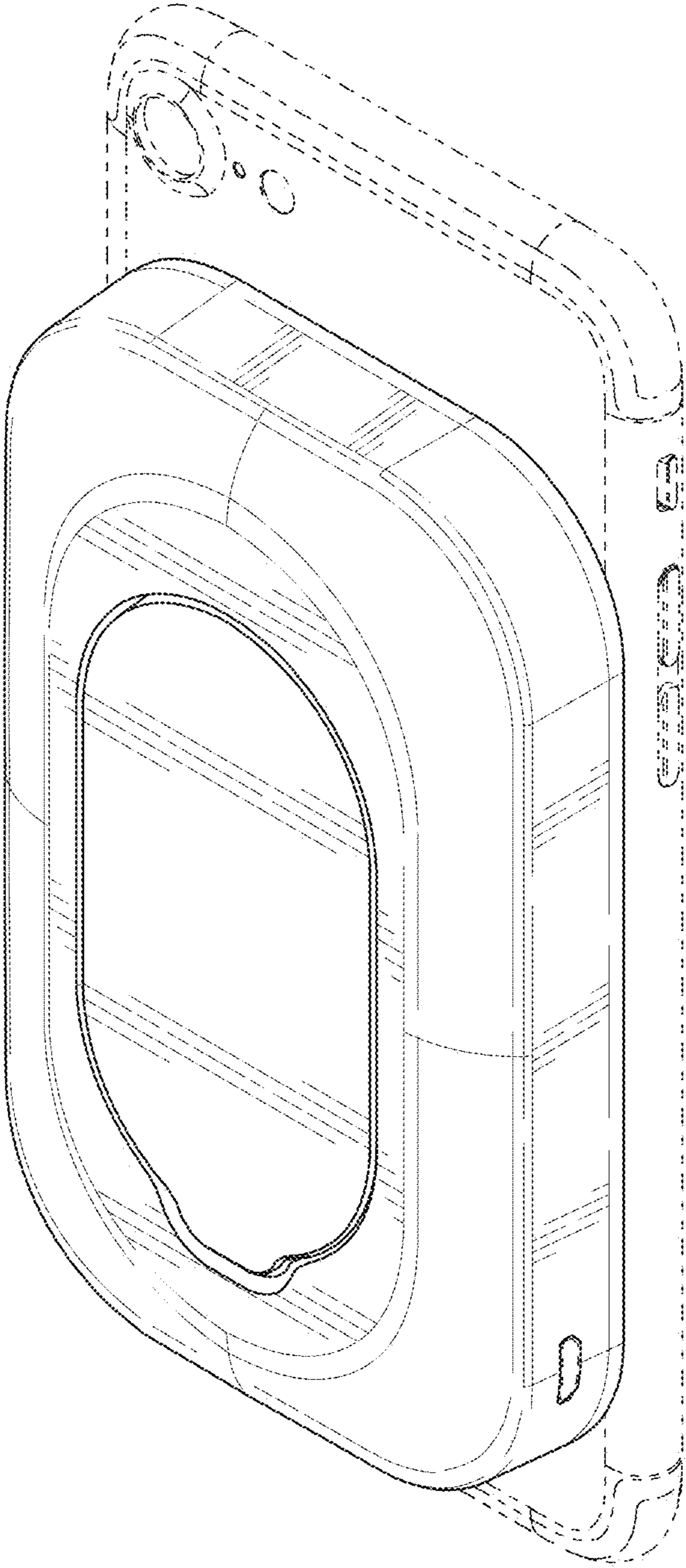


FIG. 17