

US00D967015S

(12) **United States Design Patent** (10) **Patent No.:** **US D967,015 S**
Langhammer et al. (45) **Date of Patent:** **** Oct. 18, 2022**

(54) **WIRELESS CHARGER**
(71) Applicant: **The Procter & Gamble Company**,
Cincinnati, OH (US)
(72) Inventors: **Dominik Langhammer**, Frankfurt
(DE); **Fritz Schubert**, Camberg (DE)
(73) Assignee: **The Procter & Gamble Company**,
Cincinnati, OH (US)
(**) Term: **15 Years**
(21) Appl. No.: **29/679,558**
(22) Filed: **Feb. 7, 2019**
(51) **LOC (13) Cl.** **13-02**
(52) **U.S. Cl.**
USPC **D13/108**
(58) **Field of Classification Search**
USPC D13/107-108, 118-119, 184, 199, 110;
D14/251, 447, 432-434
CPC H02J 7/025; H02J 7/005; H02J 7/0026;
H02J 7/0042; H02J 7/0044; H02J 7/0045;
H02J 7/0013; H02J 7/0003; H02J 50/10;
H02J 50/12
See application file for complete search history.

(56) **References Cited**
U.S. PATENT DOCUMENTS
D548,179 S * 8/2007 Vu D13/108
D661,930 S * 6/2012 Gebiski D6/534

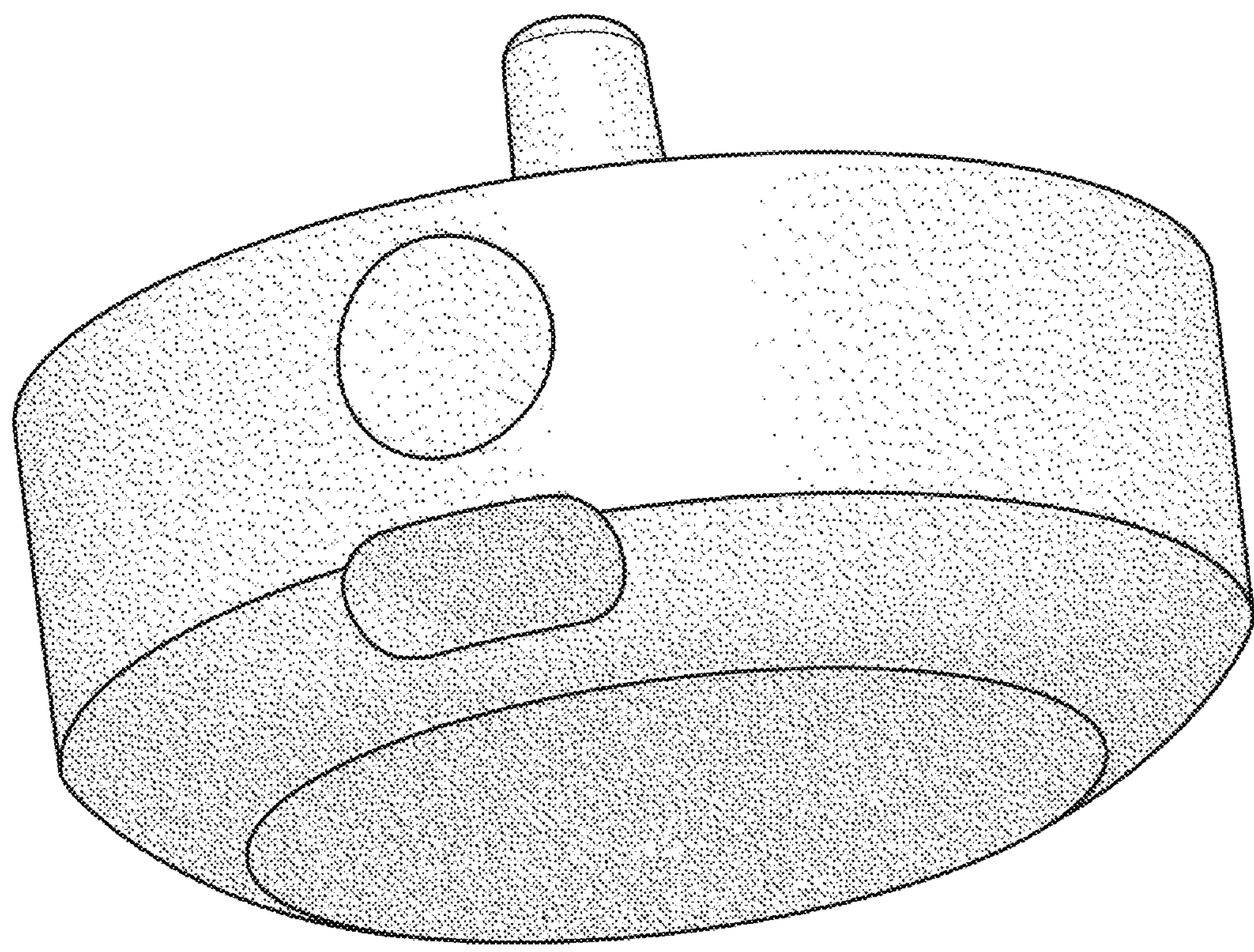
D682,198 S *	5/2013	Vu	D4/199
D768,570 S *	10/2016	Shigeno	D13/108
D768,571 S *	10/2016	Shigeno	D13/108
D870,663 S *	12/2019	Schubert	D13/108
D870,664 S *	12/2019	Langhammer	D13/108
D870,665 S *	12/2019	Schubert	D13/108
D884,624 S *	5/2020	Lei	D13/108
D886,052 S *	6/2020	Albay	D13/108
D913,222 S *	3/2021	Albay	D13/108
D917,390 S *	4/2021	Tung	D13/108
D935,395 S *	11/2021	Chen	D13/108
D937,204 S *	11/2021	Okai	D13/108
D937,205 S *	11/2021	Okai	D13/108

* cited by examiner
Primary Examiner — Rosemary K Tarcza
(74) *Attorney, Agent, or Firm* — Vladimir Vitenberg

(57) **CLAIM**
The ornamental design for a wireless charger, as shown and described.

DESCRIPTION
FIG. 1 is a perspective view of a wireless charger;
FIG. 2 is another perspective view thereof;
FIG. 3 is a front view thereof;
FIG. 4 is a left-side view thereof;
FIG. 5 is a rear view thereof;
FIG. 6 is a right-side view thereof;
FIG. 7 is a top view thereof; and,
FIG. 8 is a bottom view thereof.
The broken lines are shown for environmental purposes and form no part of the claimed design.

1 Claim, 4 Drawing Sheets



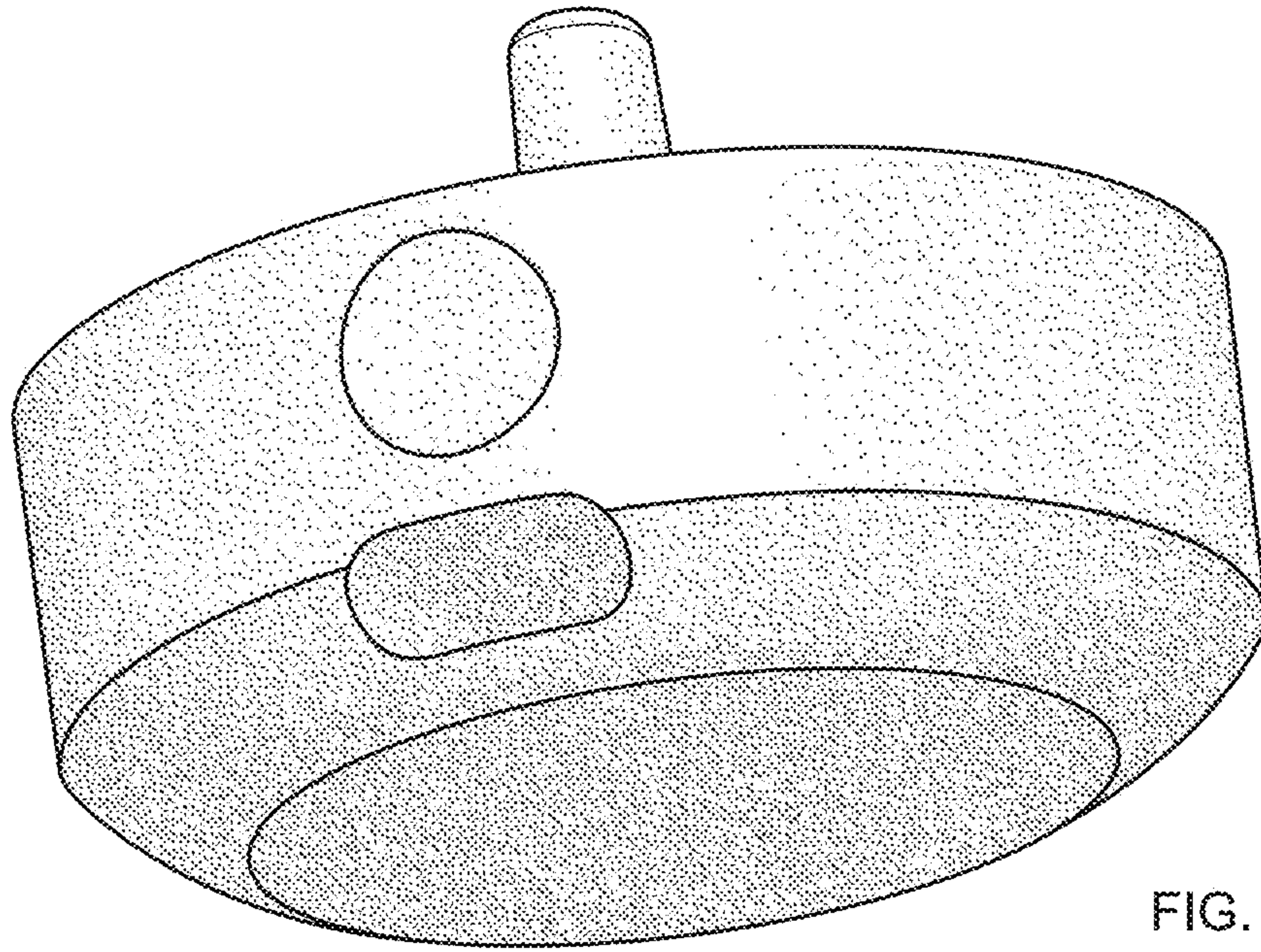


FIG. 1

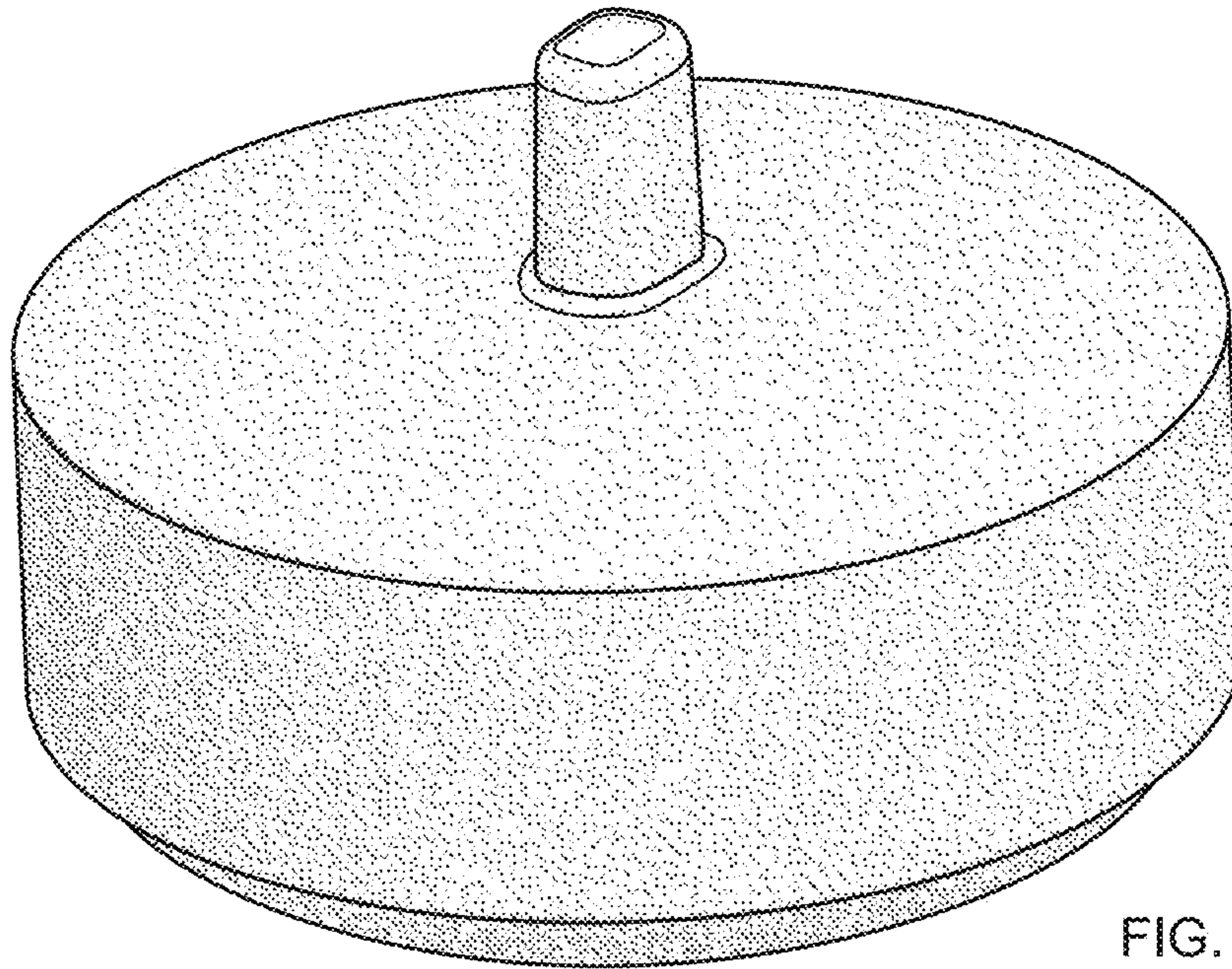


FIG. 2

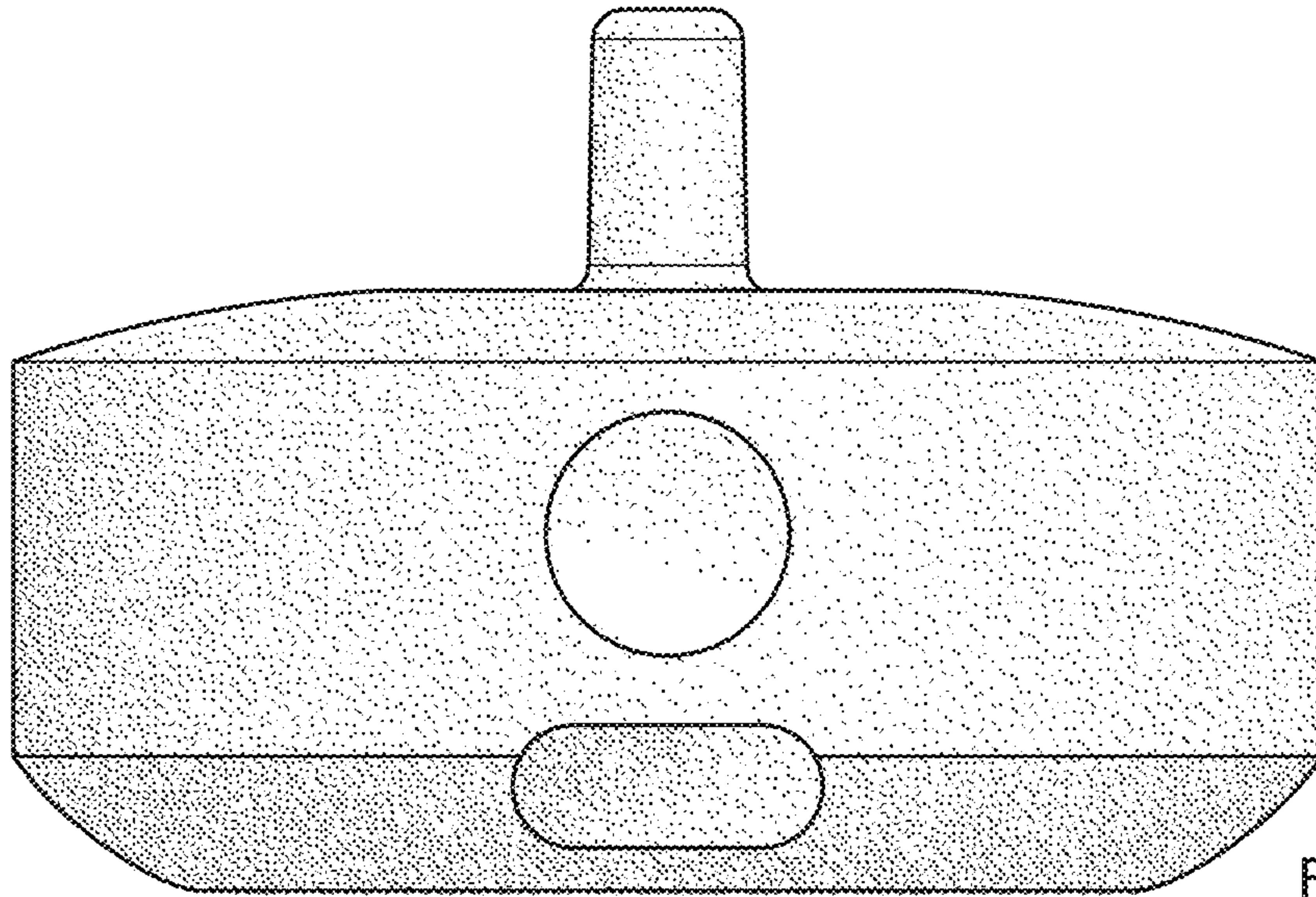


FIG. 3

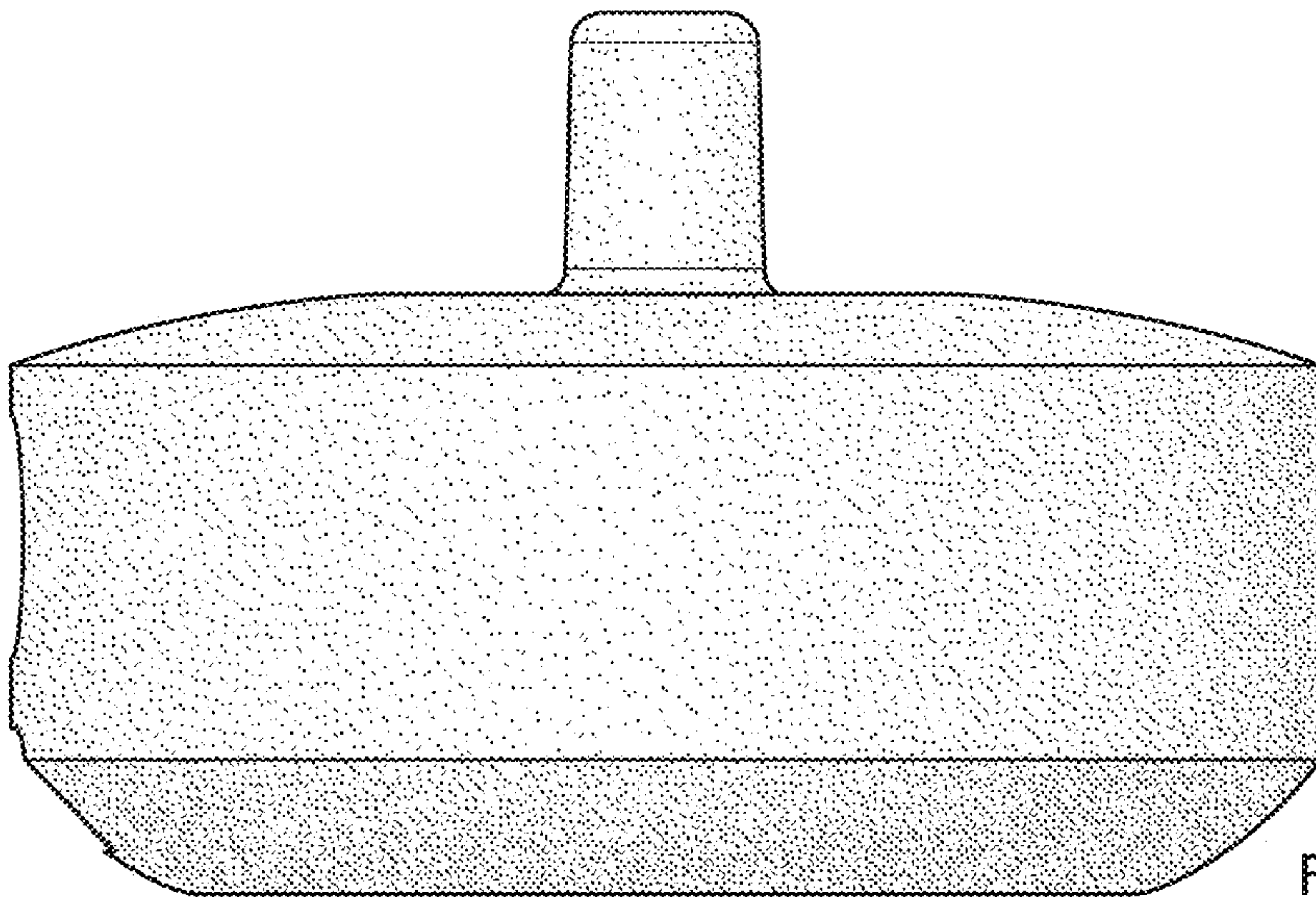


FIG. 4

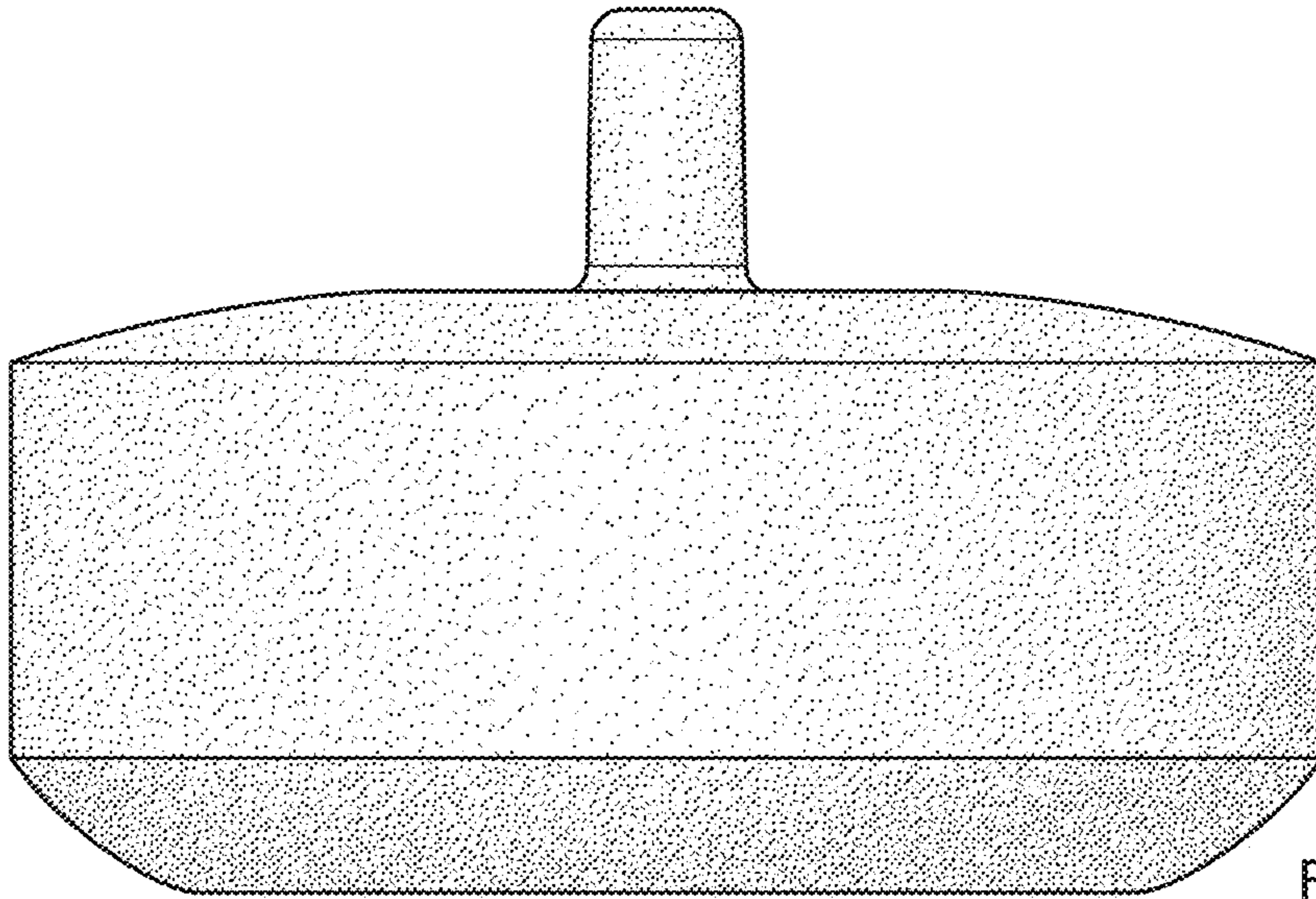


FIG. 5

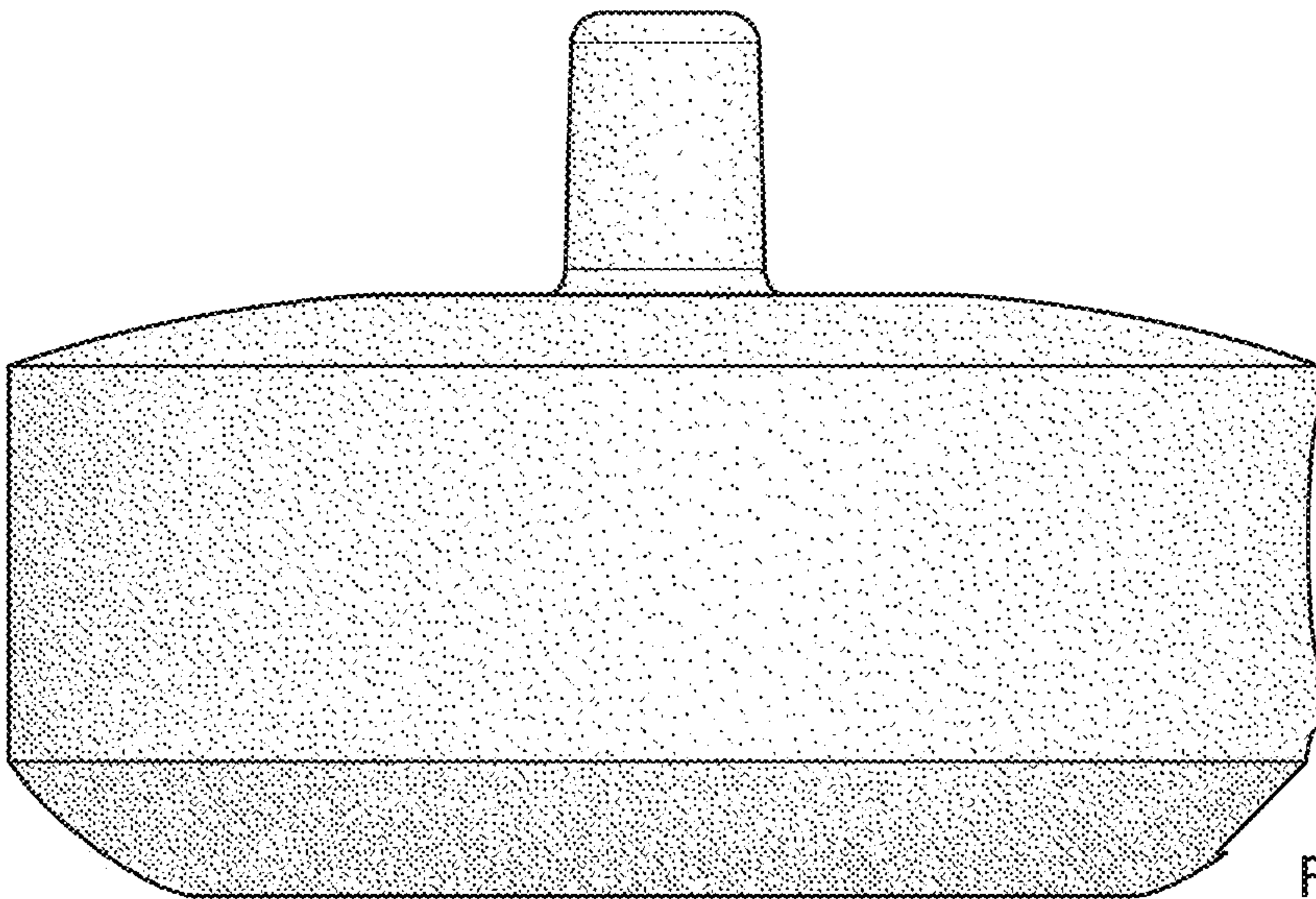


FIG. 6

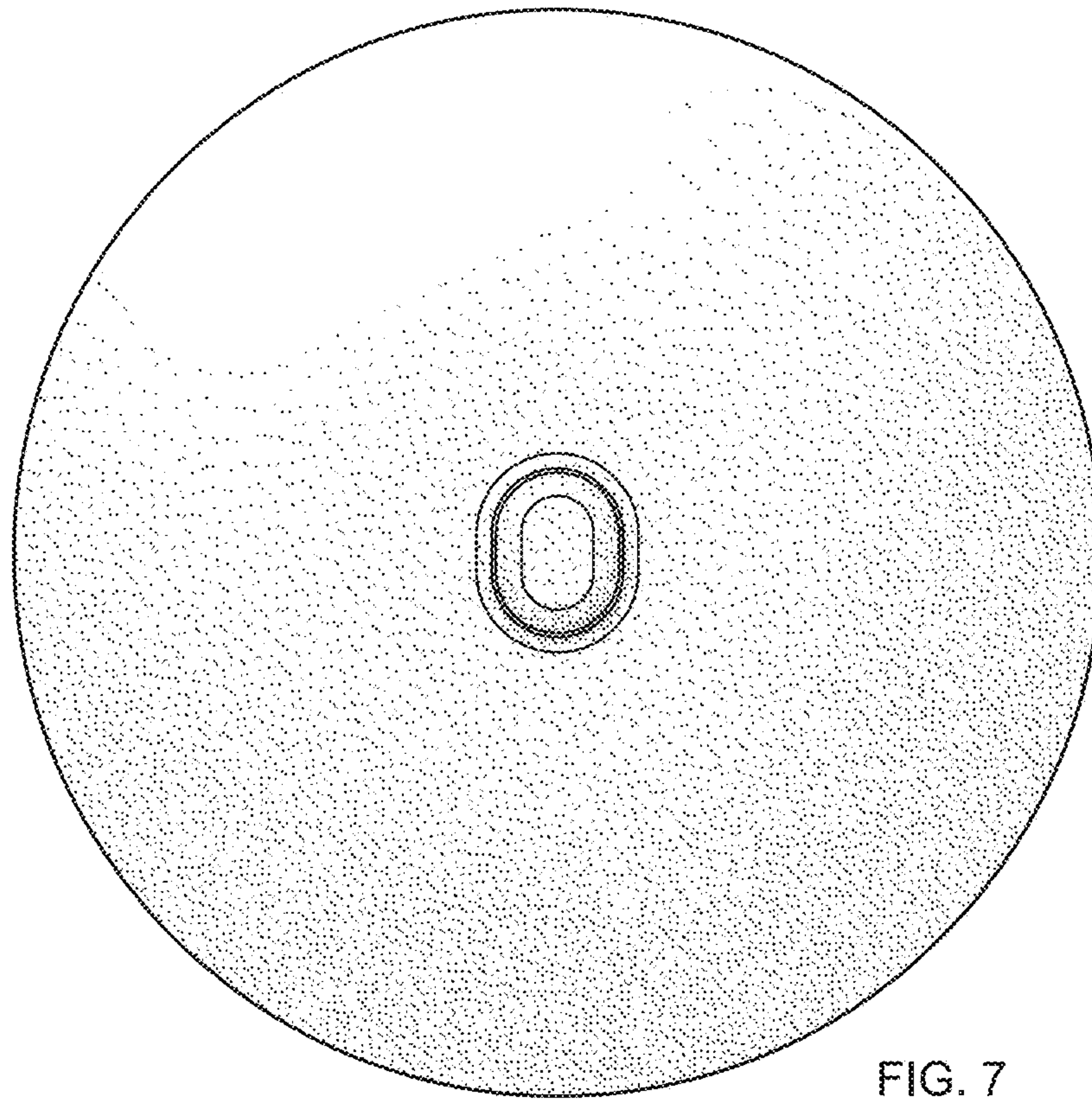


FIG. 7

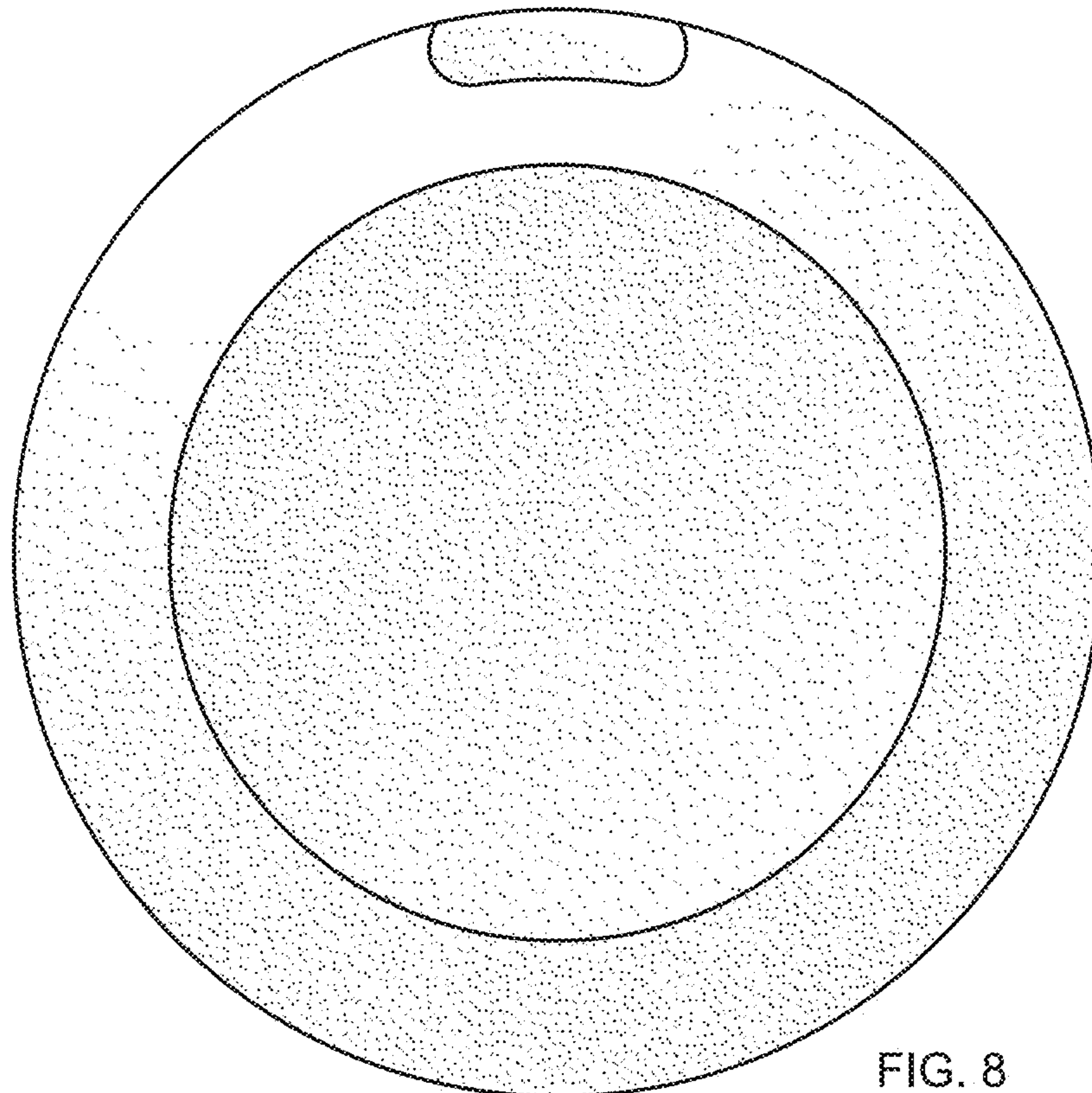


FIG. 8