



US00D967013S

(12) **United States Design Patent**
Underhill et al.

(10) **Patent No.:** **US D967,013 S**

(45) **Date of Patent:** **** Oct. 18, 2022**

(54) **BATTERY CHARGER**

(71) Applicant: **THE NOCO COMPANY**, Glenwillow, OH (US)

(72) Inventors: **Derek Michael Underhill**, Tempe, AZ (US); **Jonathan Lewis Nook**, Gates Mills, OH (US)

(73) Assignee: **THE NOCO COMPANY**, Glenwillow, OH (US)

(**) Term: **15 Years**

(21) Appl. No.: **29/761,826**

(22) Filed: **Dec. 11, 2020**

(51) **LOC (13) Cl.** **13-02**

(52) **U.S. Cl.**
USPC **D13/107**

(58) **Field of Classification Search**
USPC D13/107-110, 118-119, 184; D14/251, D14/253, 432, 434

CPC Y02T 90/14; H02J 7/025; H02J 7/0042; H02J 7/0044; H02J 7/0045; H02J 7/0003; H01F 38/14; H01R 13/6675; H01M 10/44; H01M 10/46; H01M 10/425
See application file for complete search history.

(56) **References Cited**

U.S. PATENT DOCUMENTS

D694,180 S * 11/2013 Inskeep D13/107
D745,455 S * 12/2015 Nook D13/103

D746,770 S * 1/2016 Nook D13/103
D836,064 S * 12/2018 Liu D13/102
D840,927 S * 2/2019 Inskeep D13/107
D860,177 S * 9/2019 Robins D14/240
D867,985 S * 11/2019 Nook D13/107
D872,011 S * 1/2020 Rao D13/107
D884,608 S * 5/2020 Gan D13/103
D937,762 S * 12/2021 Chung D13/107
D942,931 S * 2/2022 Fang D13/110
D944,191 S * 2/2022 Wang D13/107
2021/0075235 A1 * 3/2021 Nook H02J 7/0034

* cited by examiner

Primary Examiner — Nathaniel D. Buckner

(74) *Attorney, Agent, or Firm* — Vorys, Sater, Seymour and Pease LLP; Michael Messinger

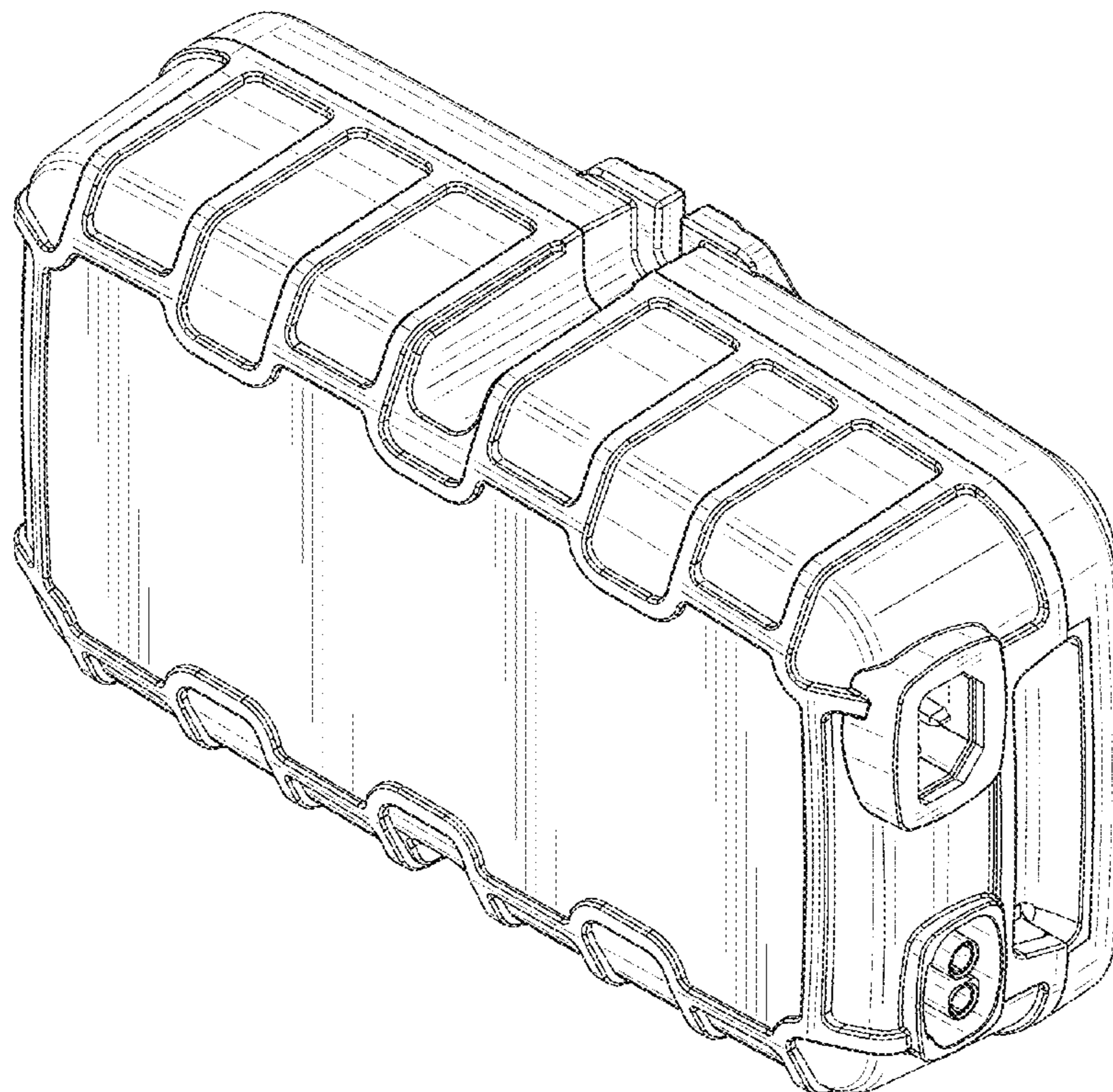
(57) **CLAIM**

The ornamental design for a battery charger, as shown and described.

DESCRIPTION

FIG. 1 is a perspective view of a new design for a battery charger;
FIG. 2 is a front elevational view thereof;
FIG. 3 is a rear elevational view thereof;
FIG. 4 is a top plan view thereof;
FIG. 5 is a bottom plan view thereof;
FIG. 6 is a left side elevational view thereof; and,
FIG. 7 is a right side elevational view thereof.

1 Claim, 7 Drawing Sheets



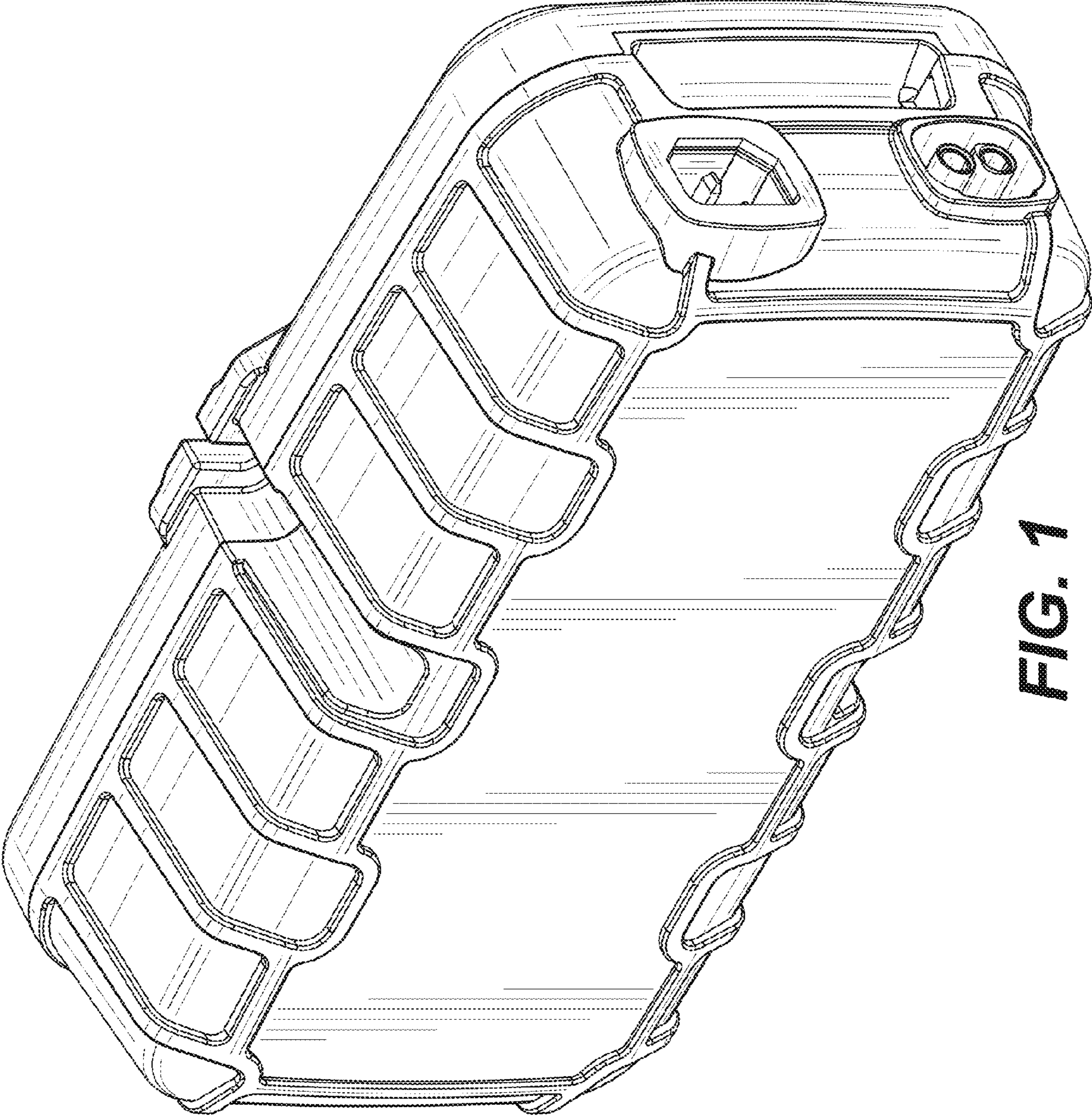


FIG. 1

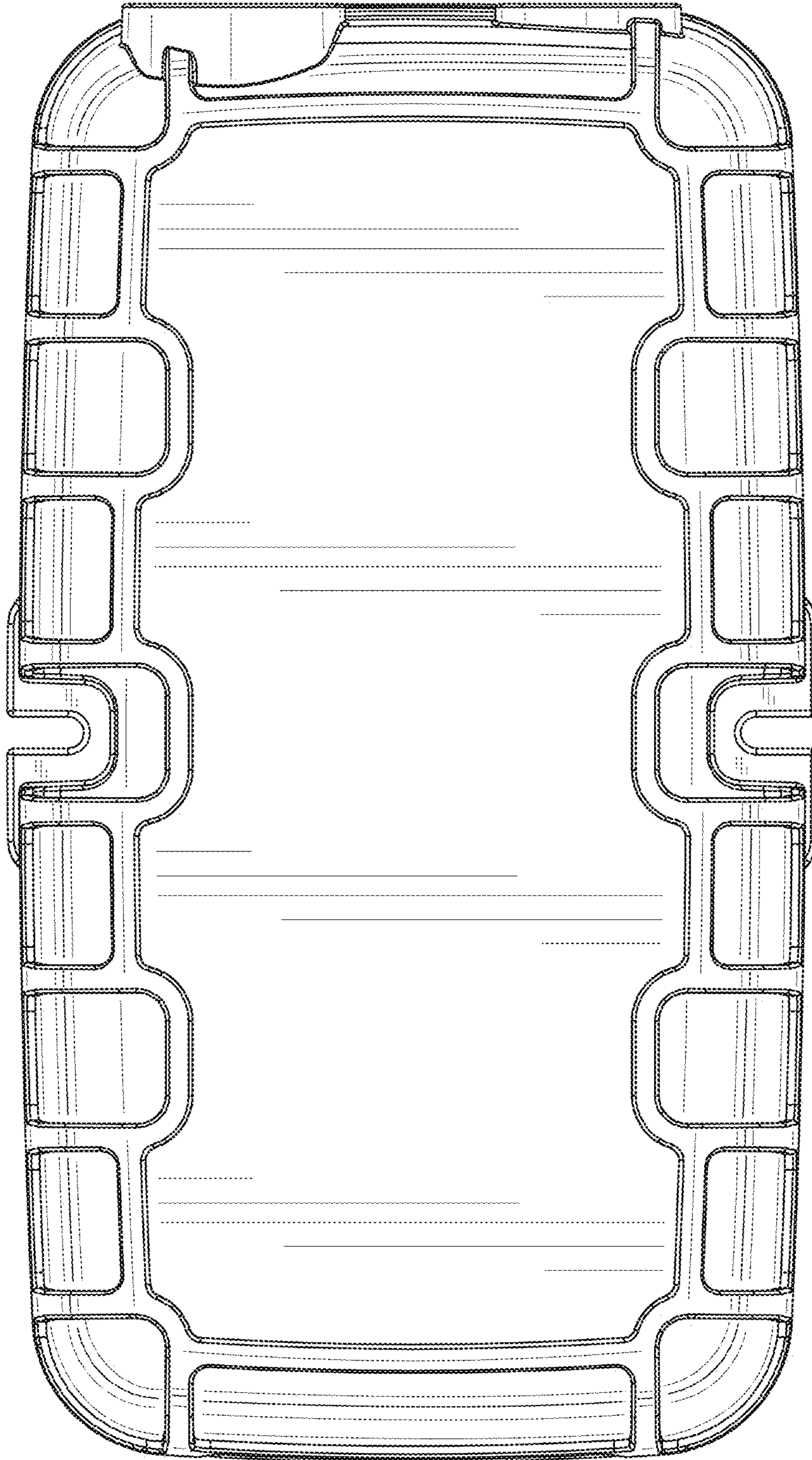


FIG. 2

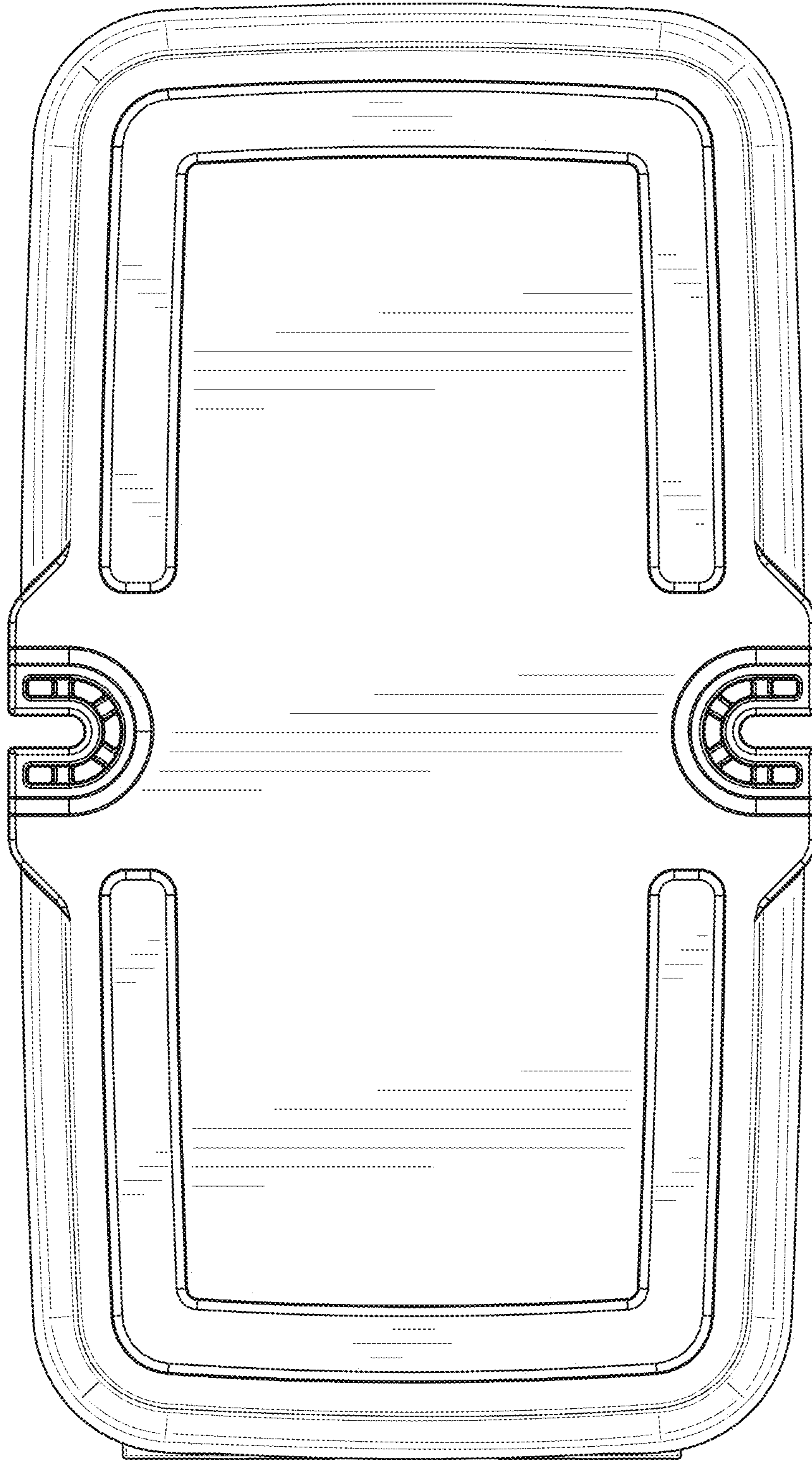


FIG. 3

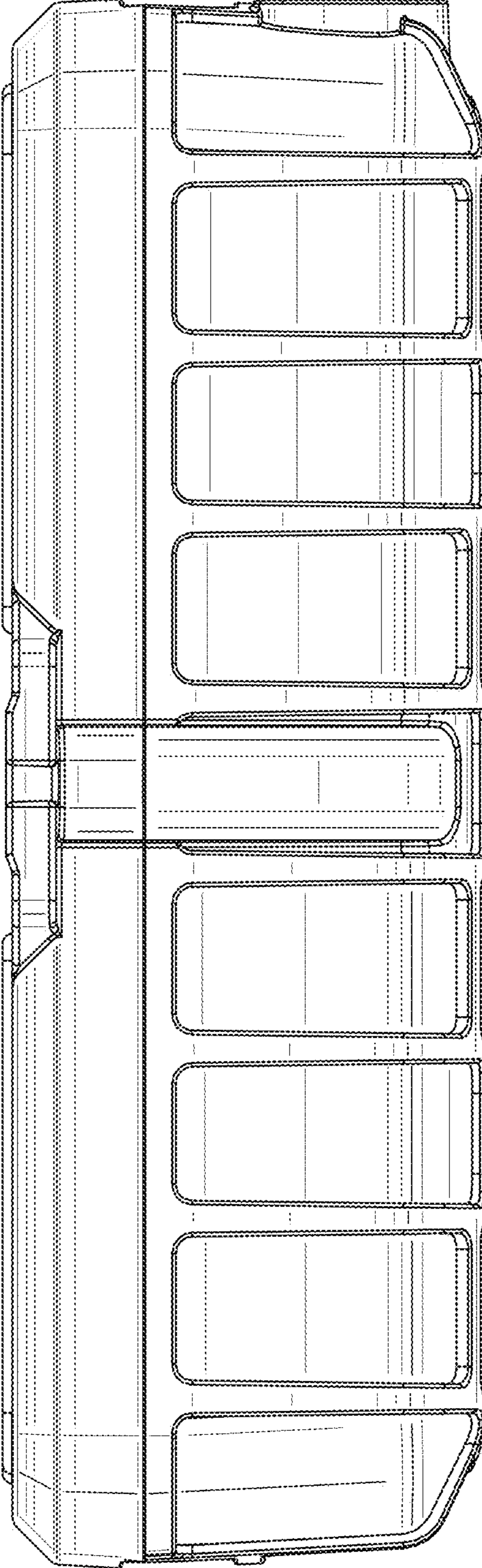


FIG. 4

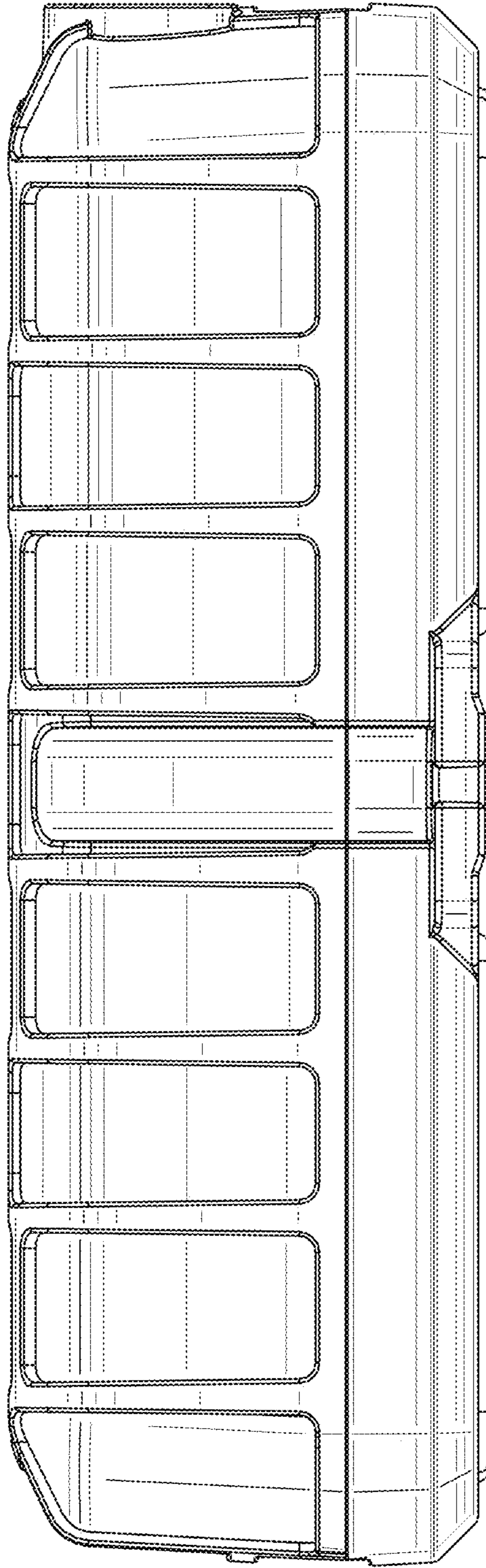


FIG. 5

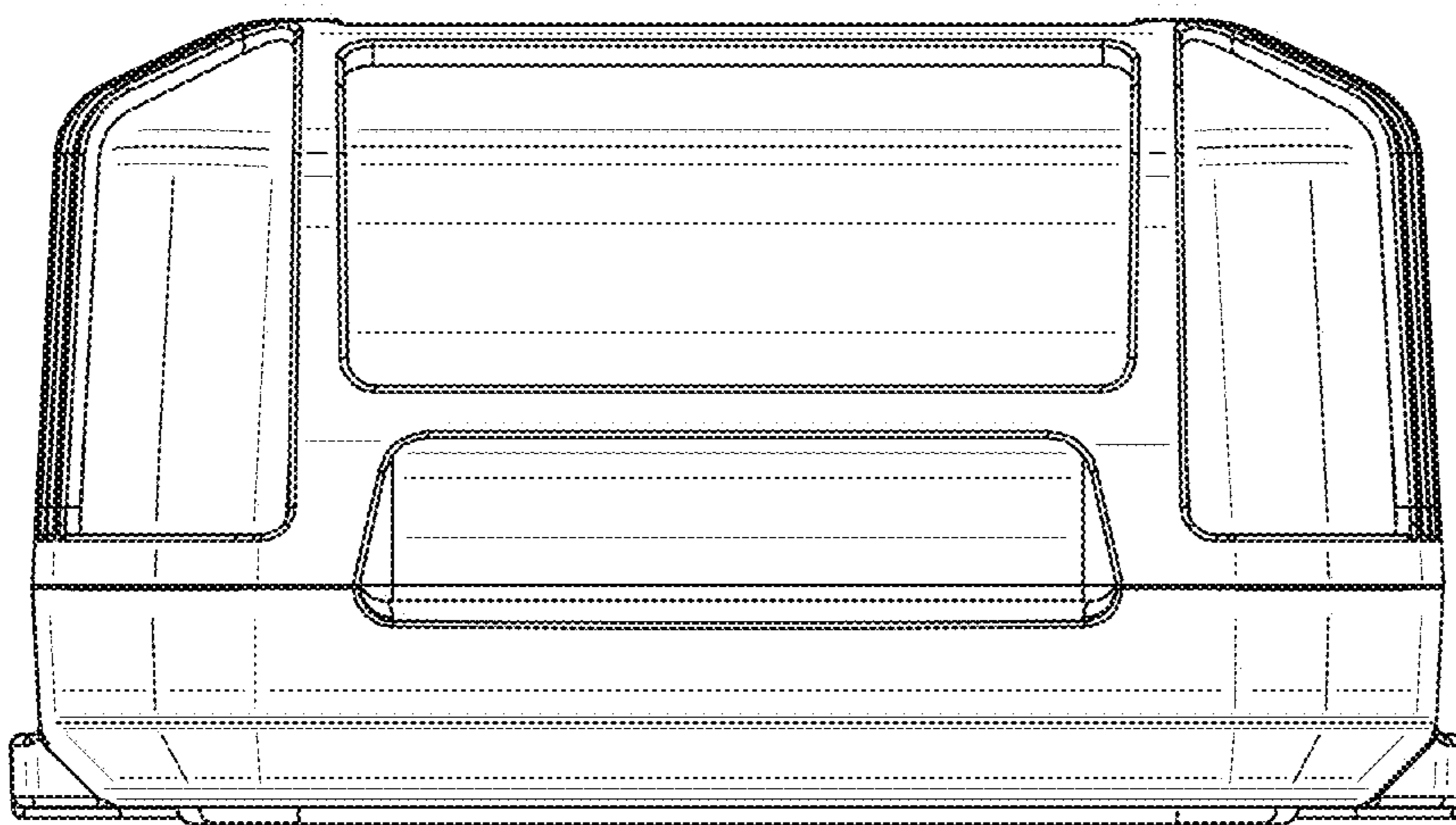


FIG. 6

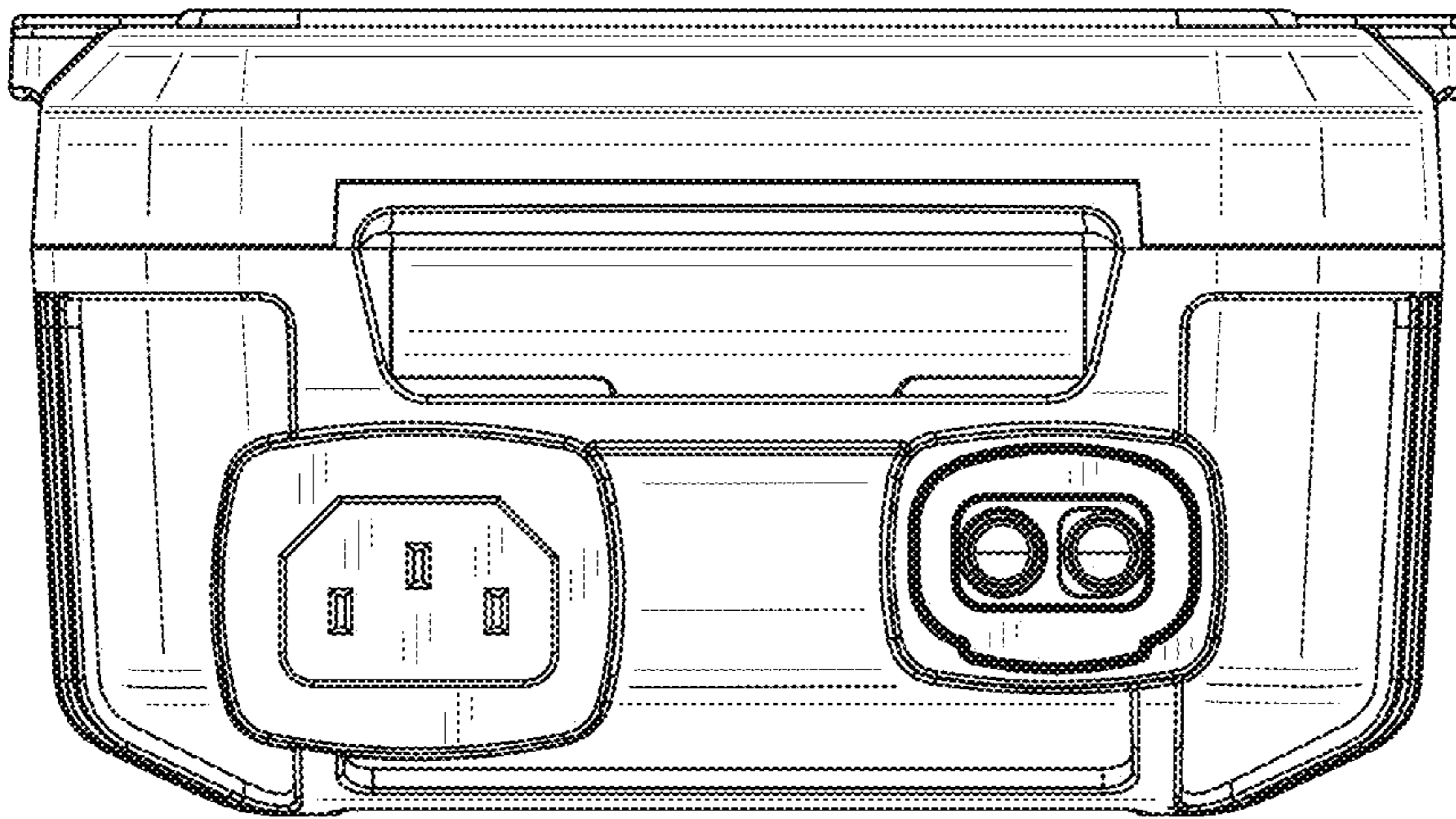


FIG. 7