



US00D967012S

(12) **United States Design Patent** (10) **Patent No.:** **US D967,012 S**
Mercer et al. (45) **Date of Patent:** **** Oct. 18, 2022**

(54) **CHARGING STATION**

(71) Applicant: **Volta Charging, LLC**, San Francisco, CA (US)

(72) Inventors: **Scott A. Mercer**, Pacifica, CA (US);
Alex Prodaniuk, Pacifica, CA (US);
Kayla Matheus, San Francisco, CA (US);
Christian Julio Santander, Bad Riechenhall (DE);
Julian Schloemer, Salzburg (AT);
Marco Wilhelm, Salzburg (AT)

(73) Assignee: **Volta Charging, LLC**, San Francisco, CA (US)

(**) Term: **15 Years**

(21) Appl. No.: **29/710,632**

(22) Filed: **Oct. 24, 2019**

(51) **LOC (13) Cl.** **13-02**

(52) **U.S. Cl.**
USPC **D13/107**

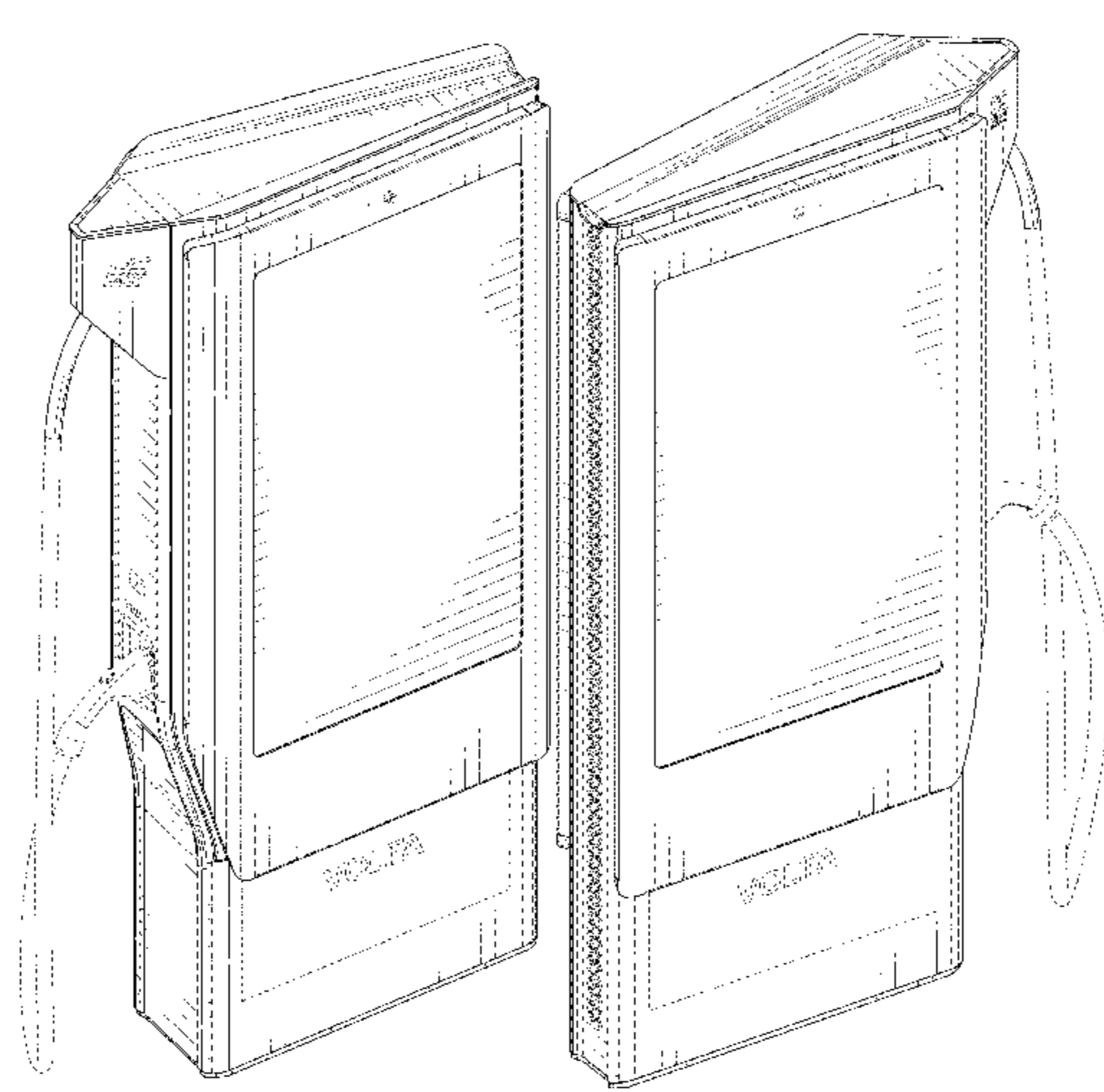
(58) **Field of Classification Search**
USPC D13/107-108, 118-119, 184, 199
CPC H02J 7/0021; H02J 7/0026; H02J 7/0027;
H02J 7/0013; H02J 2310/40; H02J 2310/48
See application file for complete search history.

D618,204 S	6/2010	Andre et al.
D626,063 S	10/2010	Cutter et al.
D626,064 S	10/2010	Cutter et al.
D626,065 S	10/2010	Cutter et al.
D633,908 S	3/2011	Arkana et al.
D634,709 S	3/2011	Ichio
D637,553 S	5/2011	Shin
D637,595 S	5/2011	Mizusugi
D639,800 S	6/2011	Magruder
D644,218 S	8/2011	Arkana et al.
D646,269 S	10/2011	Crick, Jr. et al.
D647,053 S	10/2011	Gotou et al.
D654,430 S	2/2012	Demers et al.
D654,857 S	2/2012	Salazar et al.
D654,858 S	2/2012	Salazar et al.
D654,860 S	2/2012	Holthusen
D654,861 S	2/2012	Holthusen
D655,242 S	3/2012	Holthusen
D659,635 S	5/2012	Hou et al.
D659,641 S	5/2012	Kreitzer
D663,270 S	7/2012	Lyford
D663,692 S	7/2012	Sebald
D664,086 S	7/2012	Chin-Ho Kim et al.
D664,087 S	7/2012	Chin-Ho Kim et al.
D664,089 S	7/2012	Chin-Ho Kim et al.
D667,378 S	9/2012	Yamamoto
D667,793 S	9/2012	Yamamoto
D669,033 S	10/2012	Senk
D669,071 S	10/2012	Akana et al.
D670,651 S	11/2012	Mori
D673,122 S	12/2012	Huss
D674,334 S	1/2013	Cutter et al.
D677,632 S	3/2013	Riddle
D678,203 S	3/2013	Corona
D679,652 S	4/2013	Lecoanet
D683,307 S	5/2013	Lecoanet et al.
D688,199 S	8/2013	Behar et al.
D691,208 S	10/2013	Gorelick
D694,188 S	11/2013	Ferguson
D696,658 S	12/2013	Winston et al.
D706,213 S	6/2014	Titus
D708,572 S	7/2014	Hou et al.
D708,573 S	7/2014	Gieniec et al.
D708,574 S	7/2014	Gieniec et al.
D712,349 S	9/2014	Ahlgren
D720,285 S	12/2014	Gilomen
D729,157 S	5/2015	Gilomen
D729,158 S	5/2015	Gilomen
D730,822 S	6/2015	Chin-Ho Kim
D733,647 S	7/2015	Farrell
D735,660 S *	8/2015	Ferguson D13/107
D749,503 S	2/2016	Ferguson et al.
D771,562 S	11/2016	Dolle

(56) **References Cited**

U.S. PATENT DOCUMENTS

D273,580 S 4/1984 Riumbau
D325,902 S * 5/1992 Hudson D13/184
D459,234 S 10/2002 Kajiura
D507,813 S 7/2005 Gillard
D524,849 S 7/2006 Komai
D542,849 S 5/2007 Hill et al.
D603,337 S 11/2009 Katou
D608,733 S 1/2010 Smith
D608,734 S 1/2010 Smith
D611,047 S 3/2010 Smith et al.
D613,683 S 4/2010 Baxter et al.
D618,168 S 6/2010 Baxter et al.



D776,651 S	1/2017	Yates	
D777,101 S	1/2017	Shimada	
D778,818 S	2/2017	Bruining	
D783,596 S	4/2017	Payne et al.	
D788,098 S	5/2017	Thornton et al.	
D790,457 S	6/2017	Vargas et al.	
D795,193 S	8/2017	Huang	
D816,077 S	4/2018	Benic et al.	
D830,969 S	10/2018	Wang et al.	
D833,387 S	11/2018	Baxter et al.	
D838,668 S	1/2019	Westfall et al.	
D844,559 S	4/2019	Mercer et al.	
D850,438 S	6/2019	Koenigsknecht et al.	
D858,435 S	9/2019	Helnerus	
D858,512 S	9/2019	Angelopoulos et al.	
D864,108 S	10/2019	Ito	
D868,687 S	12/2019	da Silva et al.	
D872,687 S	1/2020	Mortun	
D876,342 S *	2/2020	Mercer	D13/107
D876,343 S *	2/2020	Mercer	D13/107
D876,344 S *	2/2020	Mercer	D13/107
D876,345 S *	2/2020	Mercer	D13/107
D876,346 S *	2/2020	Mercer	D13/107
D883,199 S *	5/2020	Santander	D13/107
D893,414 S *	8/2020	Mercer	D13/107
D916,010 S *	4/2021	Gerber	D13/107
D938,348 S *	12/2021	Long	D13/107
2010/0296234 A1	11/2010	Crick, Jr.	
2011/0145141 A1	6/2011	Blain	
2012/0181984 A1	7/2012	Okabayashi et al.	
2012/0262112 A1	10/2012	Ross	
2013/0069588 A1	3/2013	Oda et al.	
2013/0207606 A1	8/2013	Ranga et al.	
2020/0009966 A1 *	1/2020	Kim	H02M 1/4233
2021/0242691 A1 *	8/2021	Hao	B60L 53/67

FOREIGN PATENT DOCUMENTS

CN 304746874 * 7/2018

OTHER PUBLICATIONS

Parsons, Sarah. “France Announces \$2.2 Billion Electric Car Charging Network.” [retrieved on Dec. 28, 2012]. Retrieved from the Internet: <www.google.com/imgres?q=electric+vehicle-Fcharging+stations&num=10&um=1&hl=en&tbo=d&biw=1440&bih=783&tbm=isch&tbnid=QfP2cslOfm0K2MAimgrefurl=http://inhabitat.com/massachusetts-set-to-install-100-ev-charging-stations/&docid=NKQtedu9SWSKBM&imgurl=http://assets.inhabitat.com/wp-content/uploads/>.

“Smart Grids, Fast Charging—Infrastructure for Electric Car.” [retrieved on Nov. 7, 2012]. Retrieved from the Internet: <www.google.com/imgres?q=electric+vehicle+charging+stations&start=20&num=10&um=1&hl=en&tbo=d&biw=1440&bih=783&tbm=isch&tbnid=f4piNYxrLOy80M:&imgrefurl=http://www.impactlab.net/2008/07/28/smart-grids-fast-charging-infrastructure-for-electric-cars/&docid=3pBfeFHp7Jg9mM&imgurl=http://www.impactlab.com/wp-content/uploads/2008/07/charging-station-london>.

“EV News: first hotel to install electric car charging station for guests.” [retrieved on Nov. 7, 2012]. Retrieved from the Internet: <www.google.com/imgres?q=electric+vehicle+charging+stations&start=307&num=10&um=1&hl=en&tbo=d&biw=1440&bih=783&tbm=isch&tbnid=78HBWHajq0_ydM:&imgrefurl=http://www.examiner.com/article/ev-news-first-hotel-to-install-electric-car-charging-station-for-guests&docid=Hv6RWgv08bpOOM&imgurl=http://www.examiner.com/images/blog/wysiwyg/image/>.

Buffalo Niagara Medical Campus. “Electric Vehicle Charging Stations Installed Across Campus.” [retrieved on Dec. 30, 2012]. Retrieved from the Internet: <www.google.com/imgres?q=electric+vehicle-Fcharging+stations&start=554&um=1&hl=en&tbo=d&biw=1440&bih=783&tbm=isch&tbnid=5QoChyg4wMwOeM:&imgrefurl=http://www.bnmc.org/electric-vehicle-charging-stations-installed-across-campus/&docid=VINctdKztXxtKM&imgurl=http://www.bnmc.org/wp-content/uploads/charging-stations>.

“Electric-Vehicle Charging Stations Available at ACC Campuses.” [retrieved Dec. 30, 2012]. Retrieved from the Internet: <www.google.com/imgres?q=electric+vehicle+charging+stations&start=738&um=1&hl=en&tbo=d&biw=1440&bih=783&tbm=isch&tbnid=BCVZxvxp_xJfmM:&imgrefurl=http://Minsideacc.ausfincc.edu/index.php/2012/01/13/electric-vehicle-charging-stations-available-at-acc-campuses/&docid=WIRnei31J_vhM&imgurl=http://insideacc.austinncc.edu/wp-content/uploads/HBC-Charging-Station>.

LinkPHL Digital Kiosks. “Philly now has a free digital WiFi, charging, information kiosk on Market Street”, Emily Rolon, Dec. 11, 2018 [retrieved Apr. 15, 2019]. <https://www.phillyvoice.com/philly-linkphl-kiosks-free-digital-wifi-market-street-septa/>.

Stewart, Douglas. “On the Same Day . . . DOE Ramps up Electric Vehicle Information; Costco removes EV chargers “No one uses” them.” [retrieved on Nov. 7, 2012]. Retrieved from the Internet: <www.google.com/imgres?q=electric+vehicle+charging+stations&num=10&um=1&hl=en&tbo=d&biw=1440&bih=783&tbm=isch&tbnid=fy1RBJOdzLlWDM:&imgrefurl=http://ameristroika.wordpress.com/2011/08/30/on-the-same-day-doe-ramps-up-electric-vehicle-information-costco-removes-ev-chargers-no-one-uses-them/&docid=z4L5TL-rLf6l2M&imgurl=http://ameristroika.files.wordpress.com/2011/08/ev-recharging-station1>.

Parsons, Sarah. “France Announces \$2.2 Billion Electric Car Charging Network.” [retrieved on Dec. 28, 2012]. Retrieved from the Internet: <www.google.com/imgres?q=electric+vehicle-Fcharging+stations&num=10&um=1&hl=en&tbo=d&biw=1440&bih=783&tbm=isch&tbnid=QfP2cslOfm0K2MAimgrefurl=http://inhabitat.com/massachusetts-set-to-install-100-ev-charging-stations/&docid=NKQtedu9SWSKBM&imgurl=http://assets.inhabitat.com/wp-content/uploads/>.

Smartlet Coulomb Charging Station. [retrieved Nov. 7, 2012]. Retrieved from the Internet: <www.google.com/imgres?q=electnc+vehicle+charging+stations&num=10&um=1&hl=en&tbo=d&biw=1440&bih=783&tbm=isch&tbnid=RKicGBKiRP2P7M:&imgrefurl=http://news.cnet.com/8301-11128_3-10167445-54.html&docid=CWP1h-N1014k3M&imgurl=http://news.cnet.com/i/bto/20090219/smartlet_Coulomb_charging_station-cityhall_270x407.jpg&w=270&h=407&ei=DmWZUK6hMPOIOAGzx4DQBg&zoom=1&iact=hc&vpx=4&vpy=225&dur=5367&hovh=276&ln>.

Bloomfield, Nikki Gordon. “Need An Electric Car Charging Station At Work? Here’s One For Free.” [retrieved Nov. 7, 2012]. Retrieved from the Internet: <www.google.com/imgres?q=electric+vehicle-Fcharging+stations&start=22&num=10&um=1&hl=en&tbo=d&biw=1440&bih=783&tbm=isch&tbnid=njkABlvYoMe0IM:&imgrefurl=http://www.greencarreports.com/news/1079118_need-an-electric-car-charging-station-at-work-heres-one-for-free&docid=7ywn-IMbSk0AgM&imgurl=http://images.thecarconnection.com/smUchargepoint_100182292_s_n>.

“Top 20 electric vehicle charging station companies.” [retrieved Nov. 7, 2012]. Retrieved from the Internet: <www.google.com/imgres?q=electnc+vehicle+charging+stations&start=22&num=10&um=1&hl=en&tbo=d&biw=1440&bih=783&tbm=isch&tbnid=Xkyb5eDD_qzaxM:&imgrefurl=http://www.evcarco.com/evcarco/2012/01/27/ev-industry-charing-station-trends-united-states/&docid=kQyau38F05amJM&imgurl=http://www.evcarco.com/evcarco/wp-content/uploads/2012/01/EV-Charging-Station-fast>.

“Singapore: Robert Bosch appointed to set up EV charging station infрасture.” [retrieved on Dec. 30, 2012]. Retrieved from the Internet: <www.google.com/imgres?q=electric+vehicle-Fcharging+stations&start=59&num=10&um=1&hl=en&tbo=d&biw=1440&bih=783&tbm=isch&tbnid=zbLiKh-Op7OWnM:&imgrefurl=http://theenergycollective.com/sklowem/44983/singapore-robert-bosch-appointed-set-ev-charging-station-infrastructure&docid=LNEAMWlerfHiDM&imgurl=http://lh5.ggpht.com/LBgmD4flGMVc/TK_7eL5IPWI/AAAAAAAAAEeb>.

“EV News: first hotel to install electric car charging station for guests.” [retrieved on Nov. 7, 2012]. Retrieved from the Internet: <www.google.com/imgres?q=electric+vehicle+charging+stations&start=307&num=10&um=1&hl=en&tbo=d&biw=1440&bih=783&tbm=isch&tbnid=78HBWHajq0_ydM:&imgrefurl=http://www.examiner.com/article/ev-news-first-hotel-to-install-electric-car-charging-station-for-guests&docid=Hv6RWgv08bpOOM&imgurl=http://www.examiner.com/images/blog/wysiwyg/image/>.

“EV Charging Station, Volta—Honolulu, Hawaii.” [retrieved on Dec. 30, 2012]. Retrieved from the Internet: <www.google.com/imgres?q=electric+vehicle-Fcharging+stations&start=307&num=10&um=1&hl=en&tbo=d&biw=1440&bih=783&tbm=isch&tbnid=78HBWHajq0_ydM:&imgrefurl=http://www.examiner.com/article/ev-news-first-hotel-to-install-electric-car-charging-station-for-guests&docid=Hv6RWgv08bpOOM&imgurl=http://www.examiner.com/images/blog/wysiwyg/image/>.

Campus Life Services. “Charge your vehicle with us.” [retrieved on Dec. 30, 2012]. Retrieved from the Internet: <www.google.com/imgres?q=electric+vehicle-Fcharging+stations&start=713&um=1&hl=en&tbo=d&biw=1440&bih=783&tbm=isch&tbnid=9kS7R5ujBHDTOM:&imgrefurl=http://campuslifeservices.ucst.edu/upload/cls/body_images/EV_2_car_charge_unit300jpg&w=300&h=400&ei=GmqZULy1LsSx0AG--4CoDA&zoom=1&iact=hc&vpx=595&vpy=11&dur=8286&hovh=259&hu>.

University of Maryland: The Department of Transportation Services. “About Electric Vehicle Charging Stations.” [retrieved on Nov. 7, 2012]. Retrieved from the Internet: <<http://www.google.com/imgres?q=electric+vehicle+charging+kiosk&um=1&hl=en&tbo=d&biw=813&bih=453&tbm=isch&tbnid=s6QZc2vv4M1g-MAimgrefurl=http://www.transportation.umd.edu/chargingstation.html&docid=DuYNDCLkGewXM&imgurl=http://www.transportation.umd.edu/images/charging-station.png&w=230&h=320&ei=dGuZUK3sL9060AGz9oHIDw&zoom=1&iact=hc&vpx=498&vpy=59&dur=3576&hovh=256Ma>>.

Moon, Jade. “Getting An EV Charge for Free.” [retrieved on Dec. 30, 2012]. Retrieved from the Internet: <www.google.com/imgres?q=electric-Fvehicle+charging+kiosk&um=1&hl=en&tbo=d&biw=813&bih=453&tbm=isch&tbnid=spbpBxbTvGDw1MAimgrefurl=http://www.midweek.com/getting-an-ev-charge-for-free/&docid=Wh1DDUhKhM7U1M&imgurl=http://www.midweek.com/wp-content/uploads/2012/04/moon.jpg&w=300&h=199&ei=dGuZUK3sL9060AGz9oHIDw&zoom=1&iact=hc&vpx=4&vpy=185&dur=3366&hovh=159&hou>.

Electric Vehicle Kiosk, [retrieved on Nov. 7, 2012]. Retrieved from the Internet: <www.google.com/imgres?q=electric+vehicle+charging+kiosk&um=1&hl=en&tbo=d&biw=813&bih=453&tbm=isch&tbnid=19Qs24hR5V2XAM:&imgrefurl=http://article.wn.com/view/2012/04/04/0pConnect_Leads_the_Way_With_Social_MediaEnabled_Electric_Ve/&docid=GswMh lig P_2aVM&imgurl=http://M.yimg.com/vi/Sd F4WoQqkYY/0.jpg&w=480&h=360&ei=dGuZUK3sL9060AGz9oHIDw&zoom=1&iact=hc&vpx=530&vpy=17&dur=10132&hovh=19441>.

19Qs24hR5V2XAM:&imgrefurl=http://article.wn.com/view/2012/04/04/0pConnect_Leads_the_Way_With_Social_MediaEnabled_Electric_Ve/&docid=GswMh lig P_2aVM&imgurl=http://M.yimg.com/vi/Sd F4WoQqkYY/0.jpg&w=480&h=360&ei=dGuZUK3sL9060AGz9oHIDw&zoom=1&iact=hc&vpx=530&vpy=17&dur=10132&hovh=19441>.

* cited by examiner

Primary Examiner — Rosemary K Tarcza
(74) *Attorney, Agent, or Firm* — Morgan Lewis & Bockius LLP

(57)

CLAIM

The ornamental design for a charging station, as shown and described.

DESCRIPTION

FIG. 1 is a front perspective view of the charging station showing our new design;
FIG. 2 is a rear perspective view thereof;
FIG. 3 is a front elevational view thereof;
FIG. 4 is a rear elevational view thereof;
FIG. 5 is a left-side elevational view thereof;
FIG. 6 is a right-side elevational view thereof;
FIG. 7 is a top plan view thereof; and,
FIG. 8 is a bottom plan view thereof.

The broken lines immediately adjacent the shaded areas represent the bounds of the claimed design, while all other broken lines depict portions of the charging station that form no part of the claimed design; the broken lines form no part of the claimed design.

1 Claim, 6 Drawing Sheets

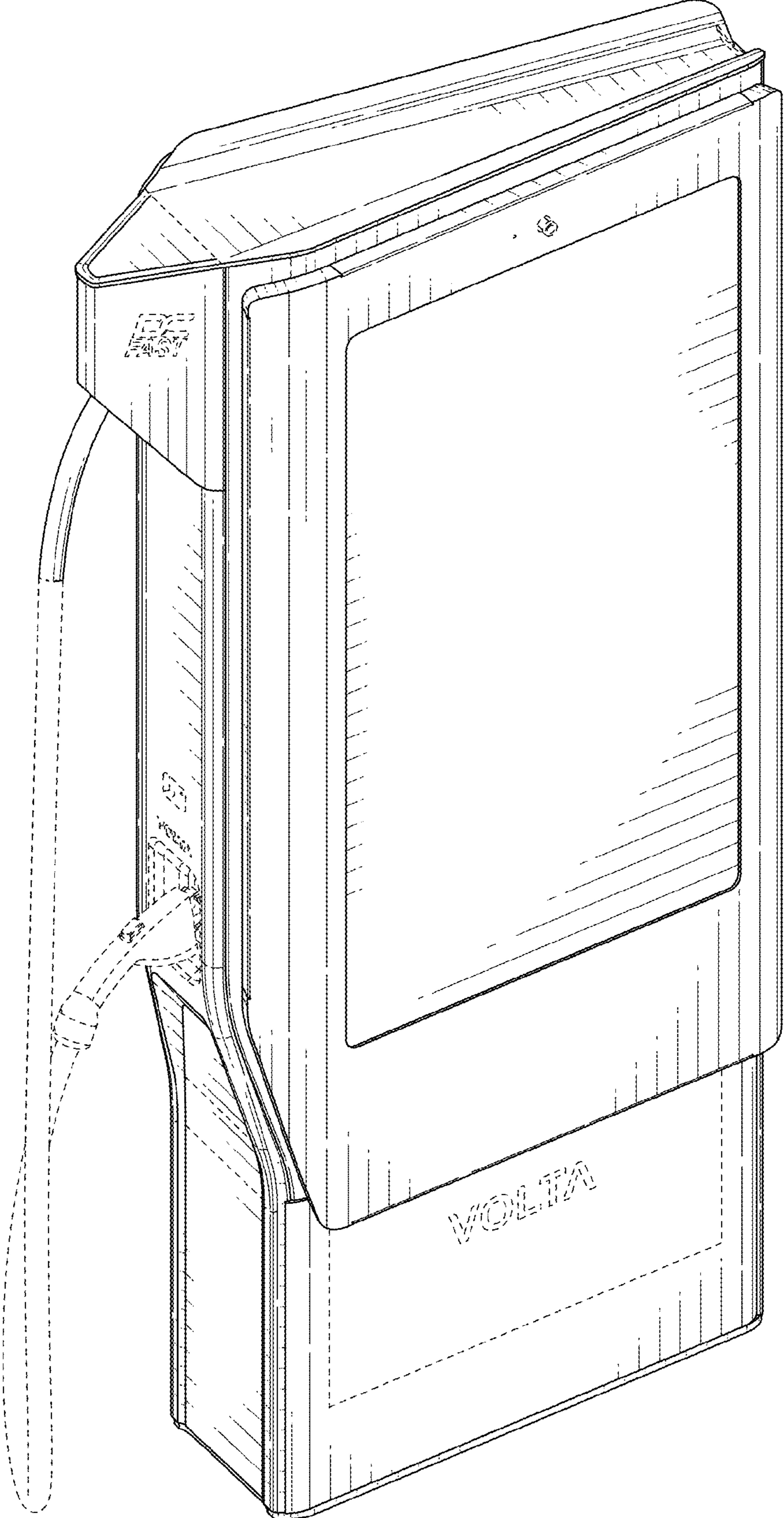


FIG. 1

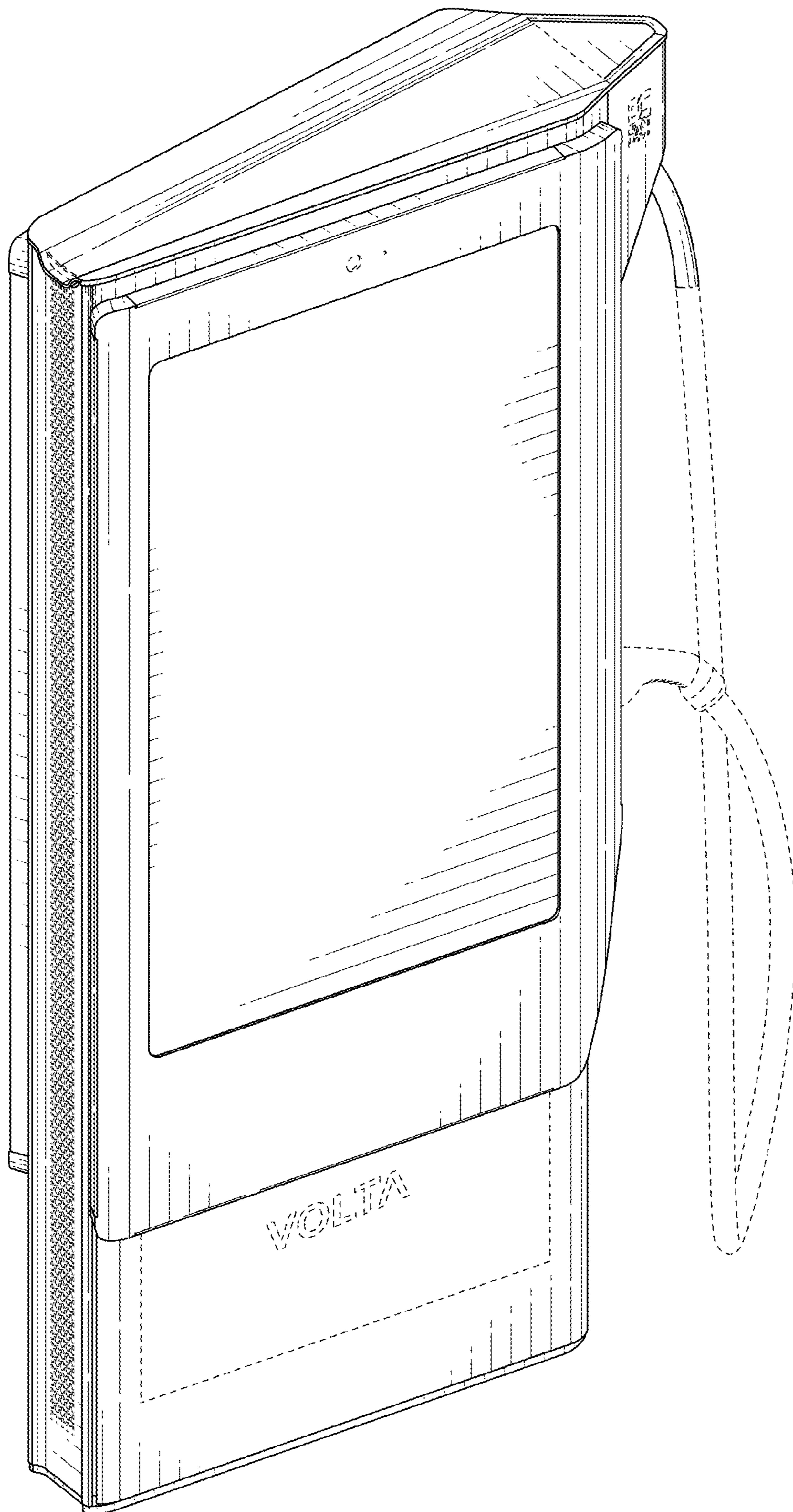


FIG. 2

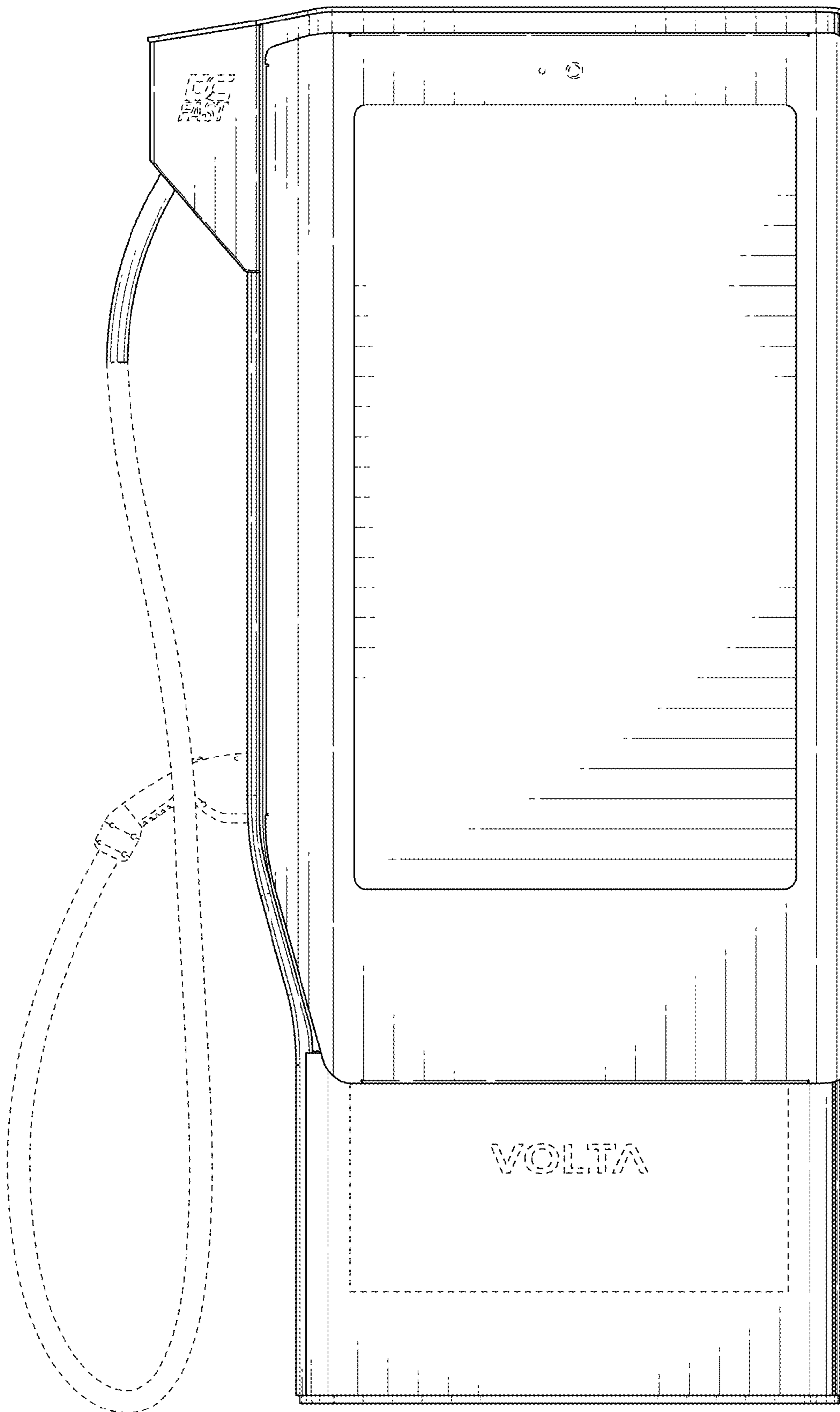


FIG. 3

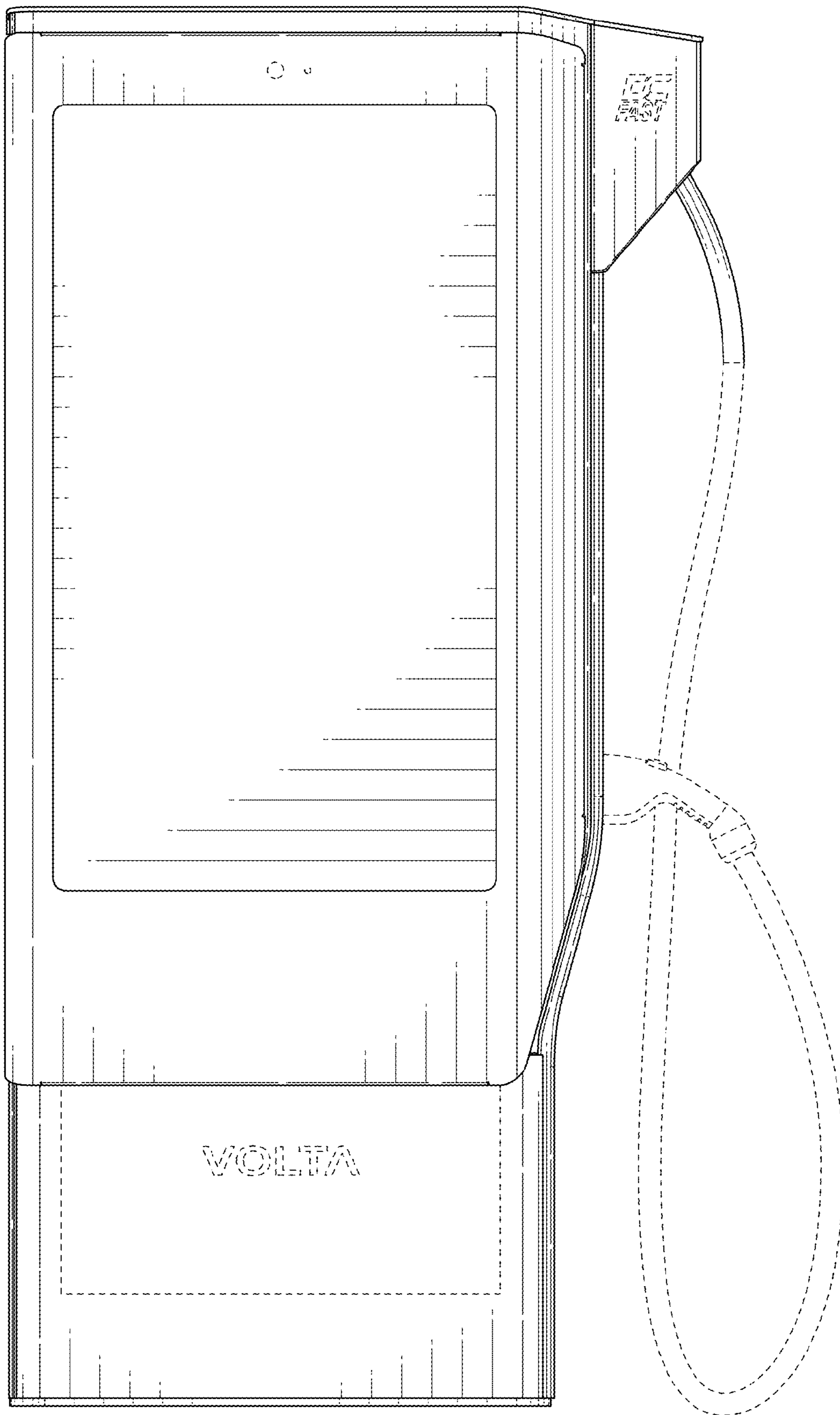


FIG. 4

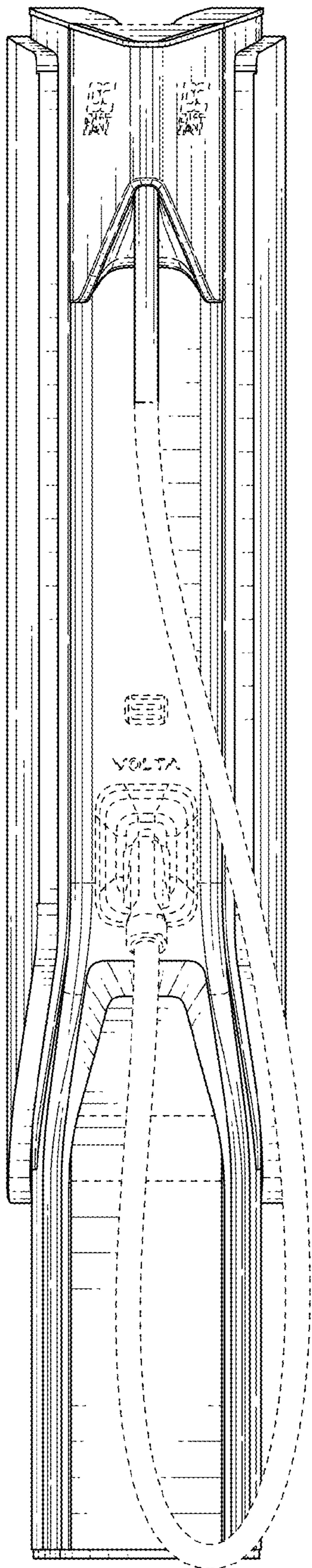


FIG. 5

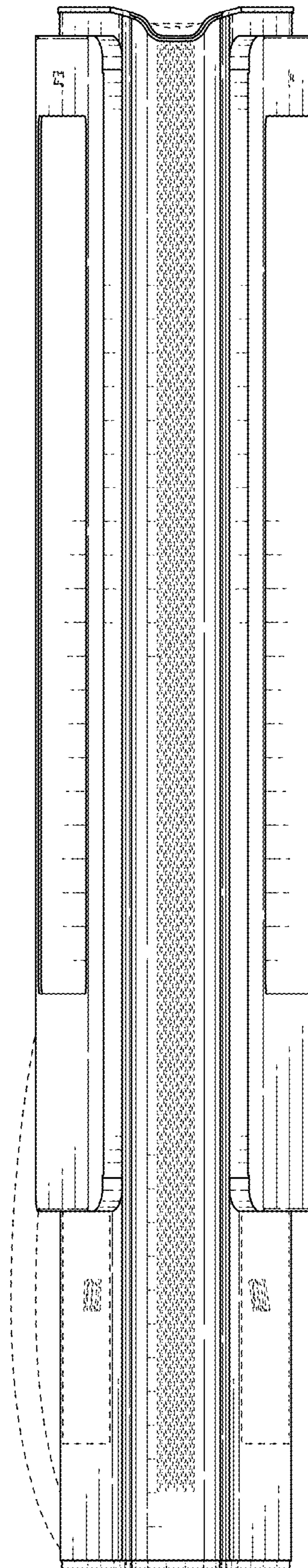


FIG. 6

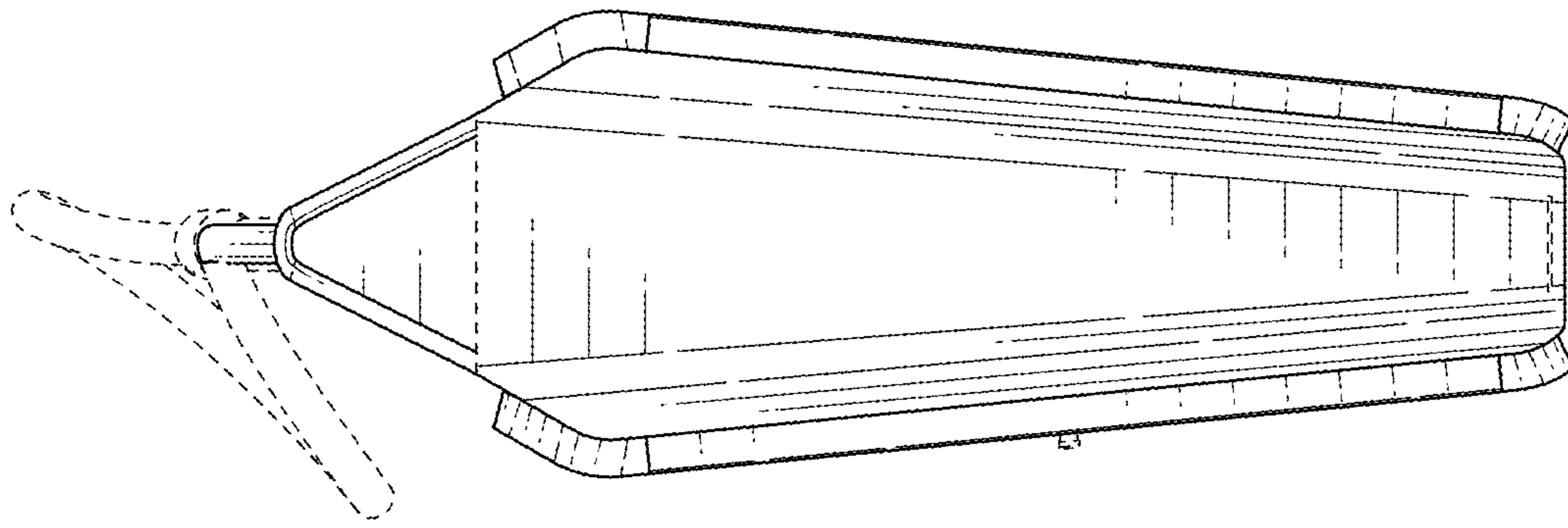


FIG. 7

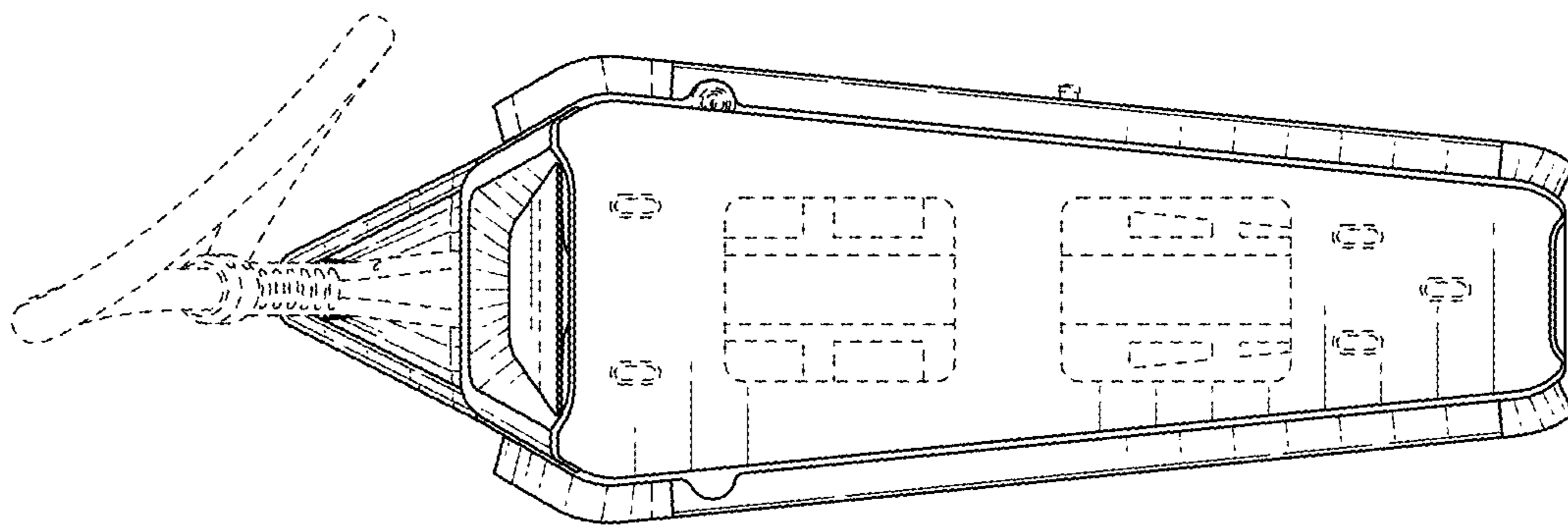


FIG. 8