

US00D967010S

(12) **United States Design Patent** (10) **Patent No.:** **US D967,010 S**  
**Liao** (45) **Date of Patent:** **\*\* Oct. 18, 2022**

(54) **BATTERY**  
(71) Applicant: **Dongguan Lianguang Electronics Technology CO., LTD.**, Guangdong (CN)

D943,512 S \* 2/2022 Liu ..... D27/162  
D943,531 S \* 2/2022 Xiao ..... D13/119  
D949,094 S \* 4/2022 Liu ..... D27/162  
D949,095 S \* 4/2022 Boris ..... D13/103  
D950,174 S \* 4/2022 Dimbylow ..... D32/31  
D951,180 S \* 5/2022 Crowe ..... D13/103

(72) Inventor: **Zhibing Liao**, Henan Province (CN)

**OTHER PUBLICATIONS**

(73) Assignee: **Dongguan Lianguang Electronics Technology Co., LTD.**, Dongguang (CN)

Cylinder Battery. (Design—© Questel) orbit.com. [Online PDF compilation of references] 61 pgs. Print Dates Range Sep. 27, 2019-Oct. 15, 1993 [Retrieved Jun. 30, 2022].\*

(\*\*) Term: **15 Years**

510 Thread Vape Pen Battery Kit. Before Nov. 22, 2019. Mr. Purple, <https://mr-purple.com/product/510-thread-vape-pen-battery-kit-vap-max/#reviews>.\*

(21) Appl. No.: **29/764,966**

Grav Micro-Pen Cartridge Vape Battery. Before Nov. 15, 2020. 420 Science, <https://www.420science.com/products/grav-micro-pen-cartridge-vape-battery>.\*

(22) Filed: **Jan. 5, 2021**

CloudV Slim Liquid Vaporizer. May 9, 2018. Vape Fuse, <https://blog.vapefuse.com/vapefuse-review-cloudv-slim-liquid-vaporizer/>.\*

(51) **LOC (13) Cl.** ..... **13-02**

(52) **U.S. Cl.**  
USPC ..... **D13/103**

\* cited by examiner

(58) **Field of Classification Search**  
USPC ..... D13/103, 107, 108, 110, 118, 119, 122, D13/184, 199

*Primary Examiner* — George D. Kirschbaum  
*Assistant Examiner* — Suzanne E Tisdell  
(74) *Attorney, Agent, or Firm* — Cooper Legal Group LLC

CPC ..... Y02E 60/12; Y02E 60/122; Y02E 60/124; Y02E 60/50; H02J 7/025; H02J 7/0042; H02J 7/0044; H02J 7/0045; H02J 7/0003; H01R 13/6675; H01M 2/1022; H01M 2/1055; H01M 10/44; H01M 10/46; H01M 10/425; B60L 11/182

(57) **CLAIM**

The ornamental design for a battery, as shown and described.

See application file for complete search history.

**DESCRIPTION**

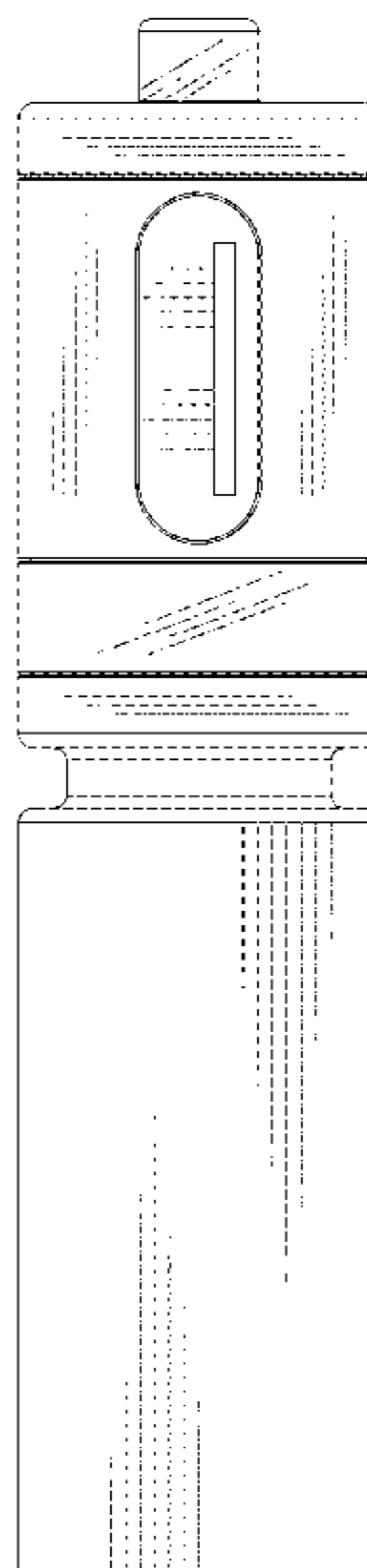
(56) **References Cited**

**U.S. PATENT DOCUMENTS**

D932,439 S \* 10/2021 Baker ..... D13/119  
D934,162 S \* 10/2021 Parcon ..... D13/103  
D937,194 S \* 11/2021 Baker ..... D13/103  
D937,198 S \* 11/2021 Parcon ..... D13/103  
D940,065 S \* 1/2022 Baker ..... D13/103  
D940,653 S \* 1/2022 Imsand ..... D13/108  
D943,511 S \* 2/2022 Liu ..... D27/162

FIG. 1 is a front view of a battery, showing my new design;  
FIG. 2 is a top plan view thereof;  
FIG. 3 is a bottom plan view thereof;  
FIG. 4 is a rear plan view thereof;  
FIG. 5 is a left plan view thereof;  
FIG. 6 is a right plan view thereof; and,  
FIG. 7 is a perspective view thereof.

**1 Claim, 7 Drawing Sheets**



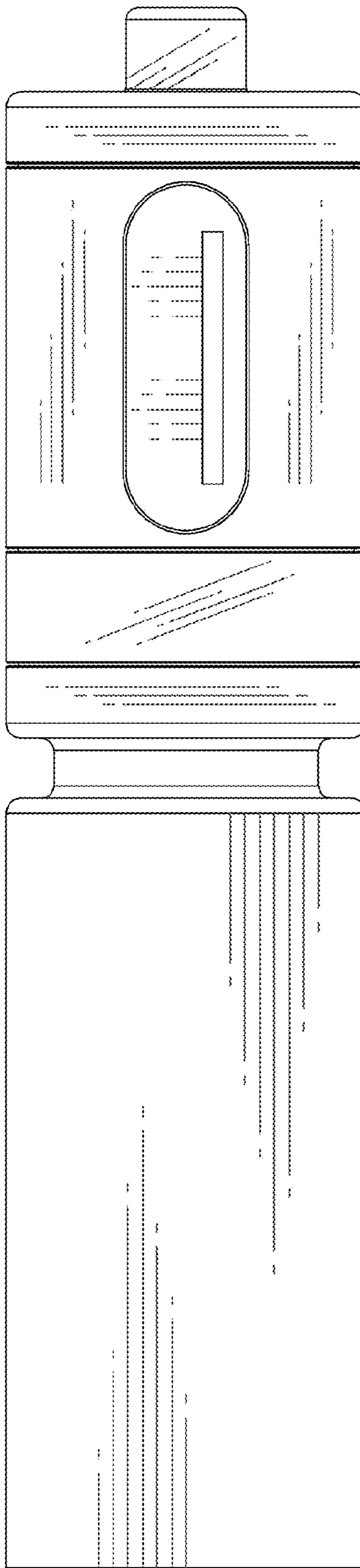


FIG. 1

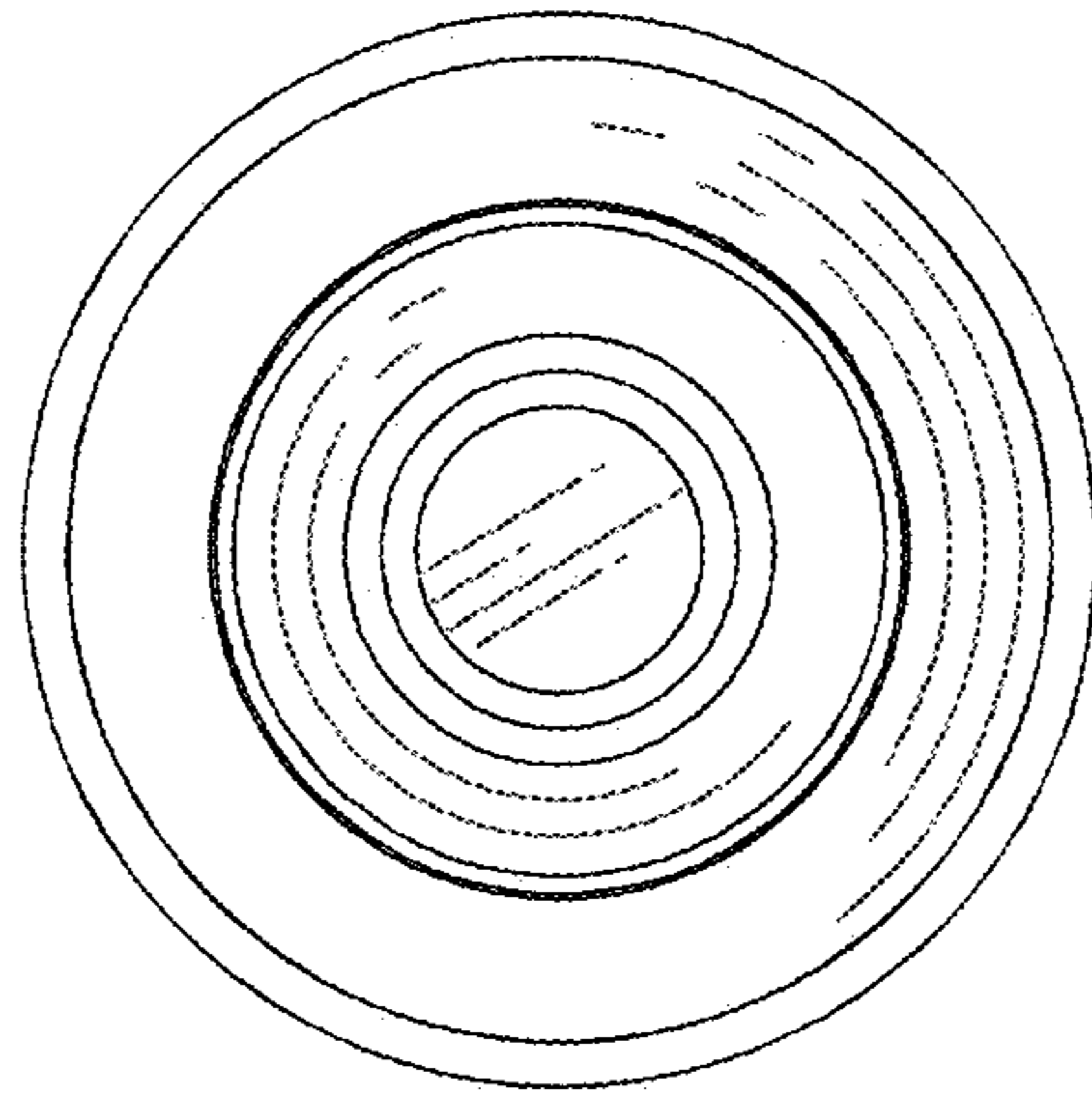


FIG. 2

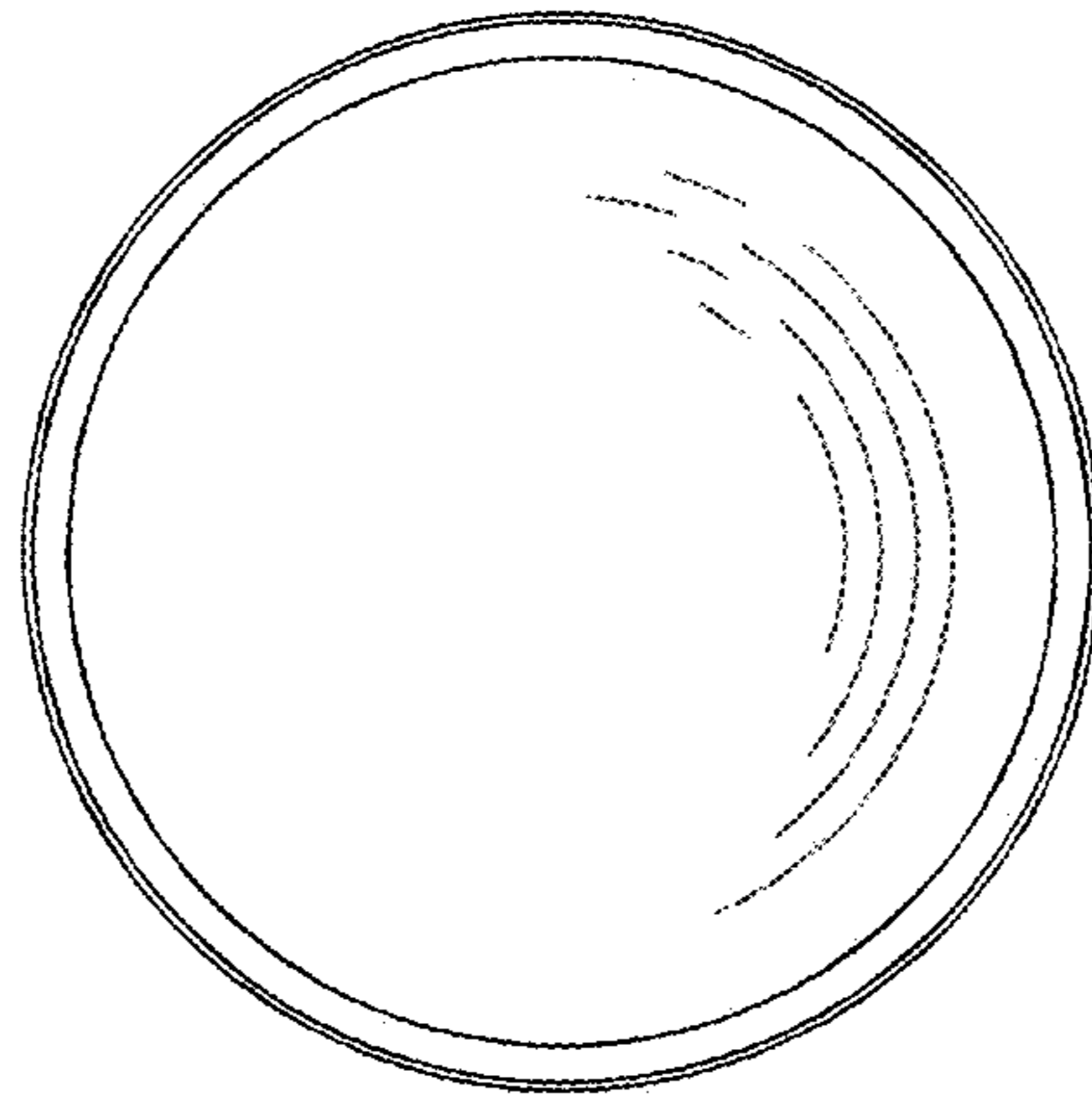


FIG. 3

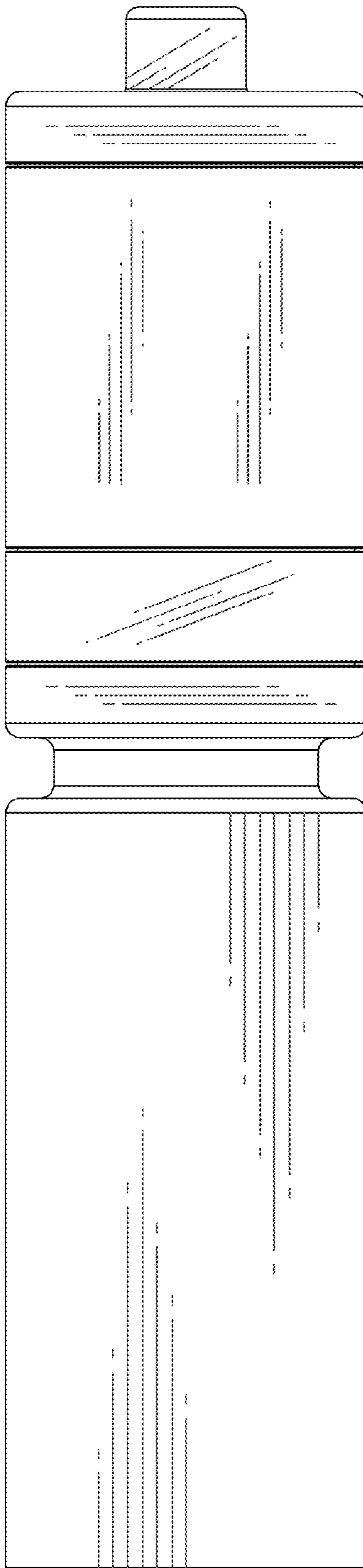


FIG. 4

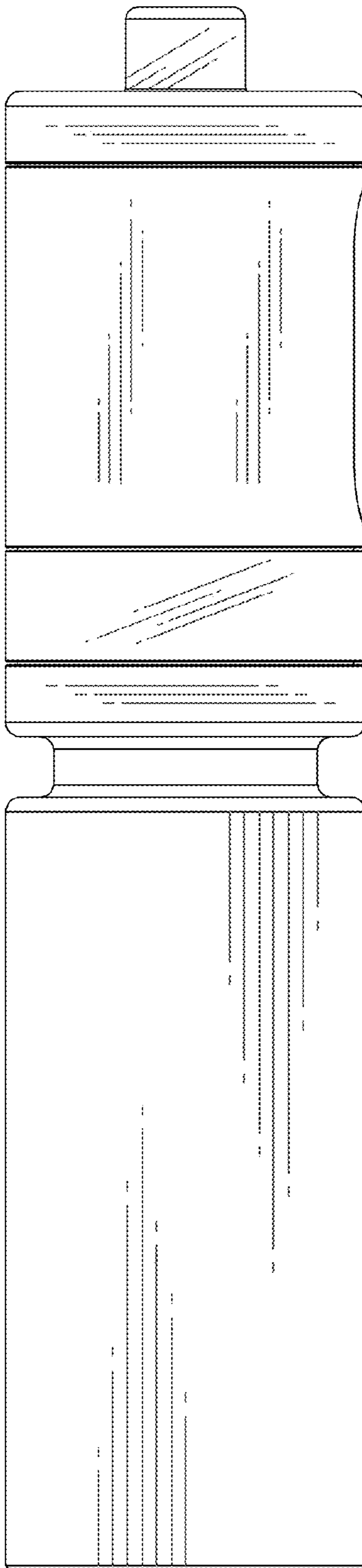


FIG. 5

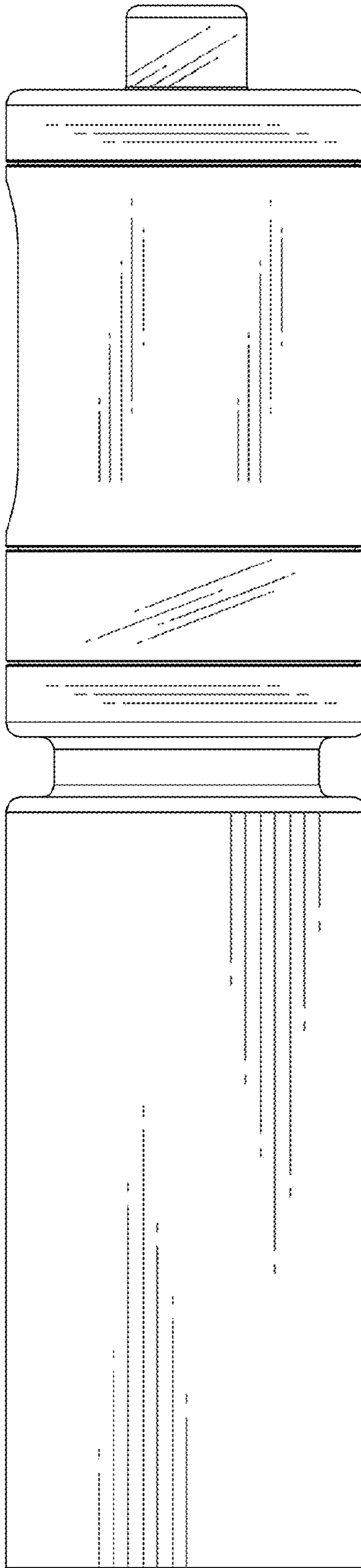


FIG. 6



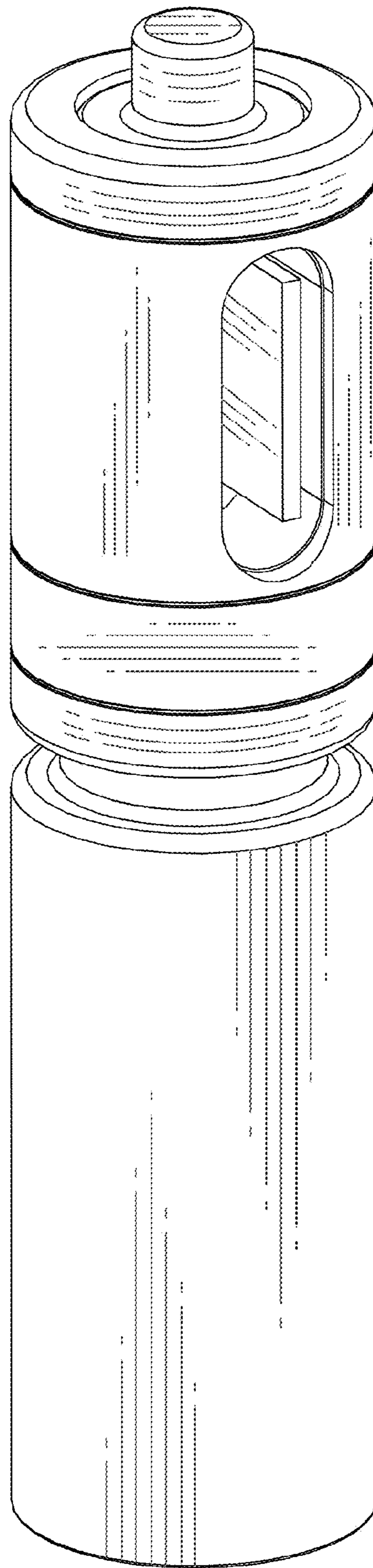


FIG. 7