



US00D966999S

(12) **United States Design Patent**  
**Li**

(10) **Patent No.:** **US D966,999 S**

(45) **Date of Patent:** **\*\* Oct. 18, 2022**

(54) **INSTRUMENT PANEL STORAGE BOX**

(71) Applicant: **Shuqun Li**, Lishui (CN)

(72) Inventor: **Shuqun Li**, Lishui (CN)

(\*\*) Term: **15 Years**

(21) Appl. No.: **29/838,405**

(22) Filed: **May 12, 2022**

(51) **LOC (13) Cl.** ..... **12-16**

(52) **U.S. Cl.**  
USPC ..... **D12/425**

(58) **Field of Classification Search**  
USPC ..... D12/425, 400, 406, 415-420, 424, 426  
CPC ..... B63B 25/00; B63B 7/085; B63B 35/00;  
B63B 17/00; B60R 16/04  
See application file for complete search history.

(56) **References Cited**

**U.S. PATENT DOCUMENTS**

- D534,322 S \* 12/2006 Watson ..... D30/161
- D734,643 S \* 7/2015 Boroski ..... D7/605
- D751,262 S \* 3/2016 Carrier ..... D34/7

- D765,336 S \* 8/2016 Doyon ..... D34/10
- D825,878 S \* 8/2018 Lewis ..... D34/7
- D838,481 S \* 1/2019 Carrier ..... D3/902
- D867,970 S 11/2019 Yang et al.
- D881,655 S \* 4/2020 Jacobsen ..... D7/607
- D923,424 S \* 6/2021 Rong ..... D3/289
- D927,260 S \* 8/2021 Winters Giesting ..... D7/607
- D942,728 S \* 2/2022 Xu ..... D34/7
- D943,232 S \* 2/2022 Xu ..... D34/7
- D955,322 S \* 6/2022 Lv ..... D12/423

\* cited by examiner

*Primary Examiner* — Katrina A Betton

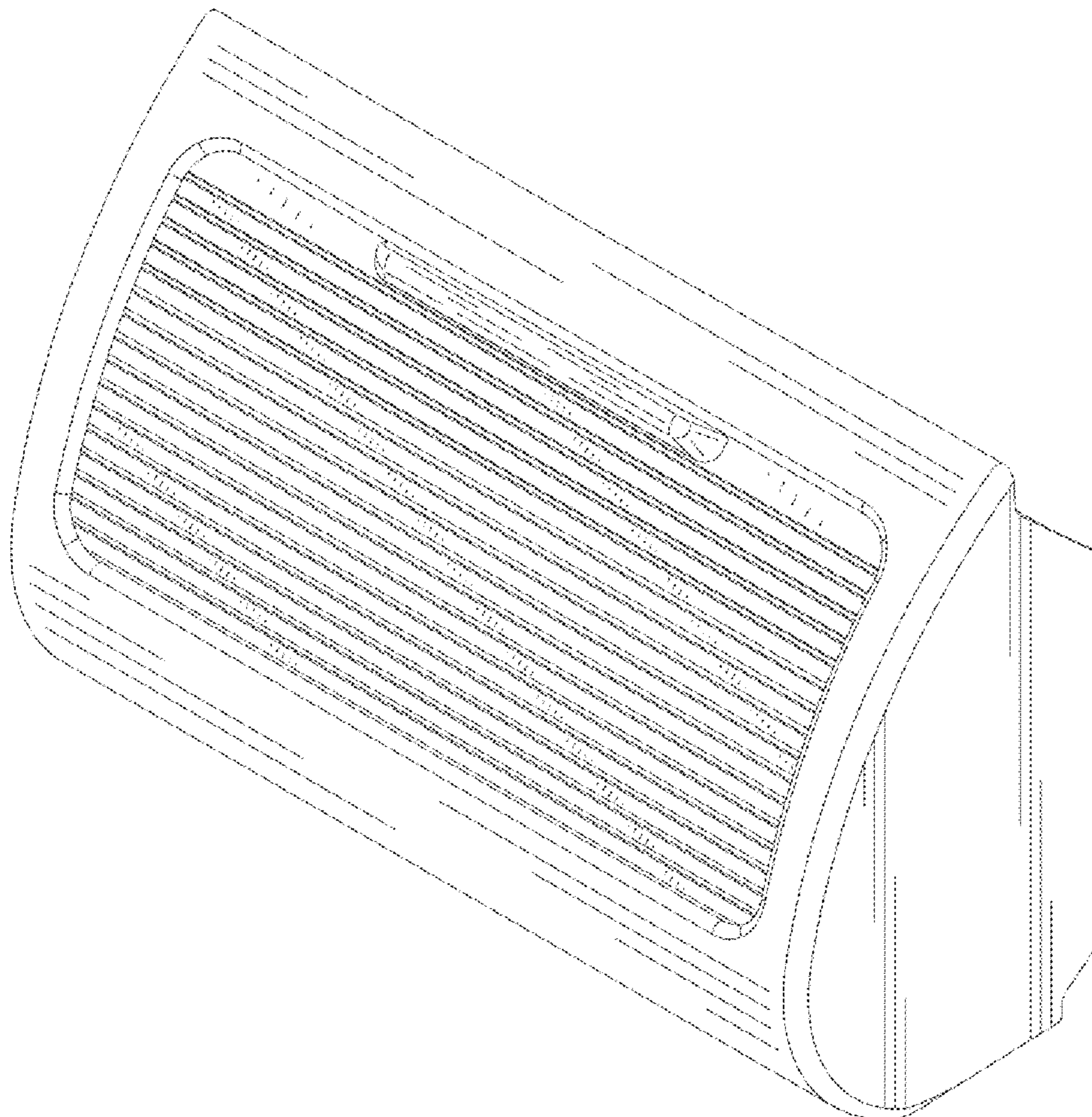
(57) **CLAIM**

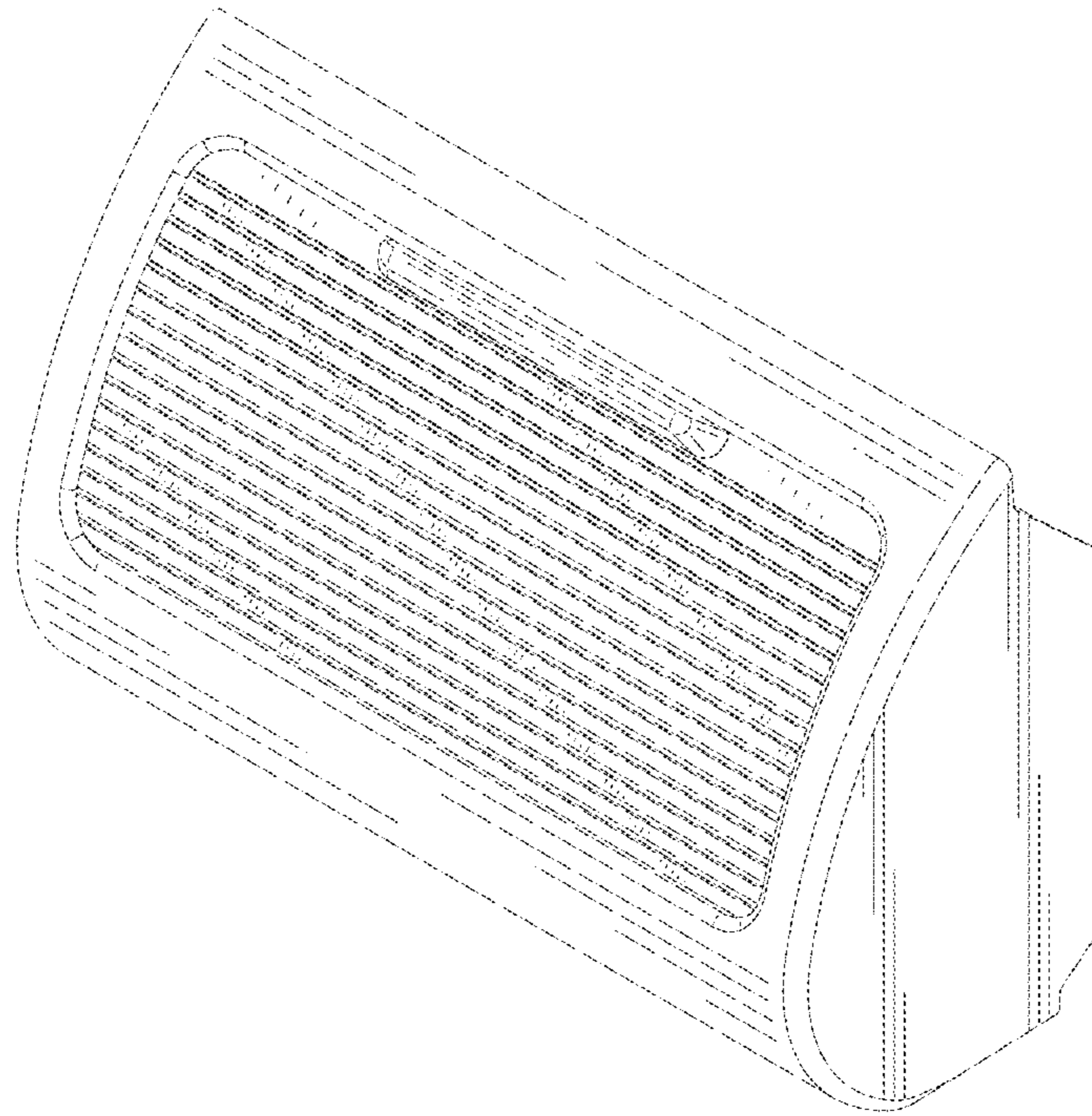
The ornamental design for an instrument panel storage box, as shown and described.

**DESCRIPTION**

FIG. 1 is a front perspective view of an instrument panel storage box, showing my new design;  
FIG. 2 is a front view thereof;  
FIG. 3 is a rear side view thereof;  
FIG. 4 is a left side view thereof;  
FIG. 5 is a right side view thereof;  
FIG. 6 is a top view thereof; and,  
FIG. 7 is a bottom view thereof.

**1 Claim, 7 Drawing Sheets**





**FIG. 1**

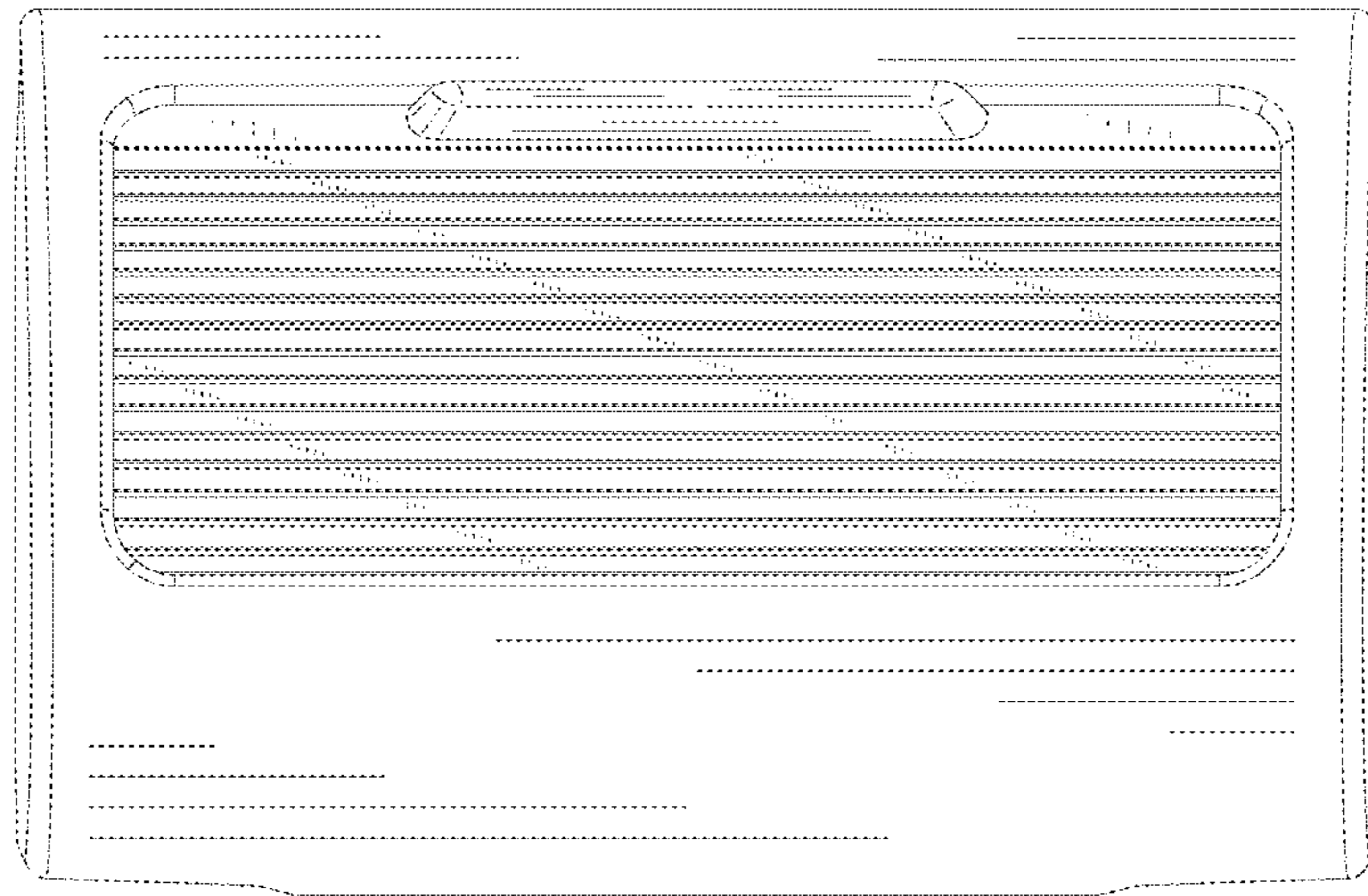


FIG. 2

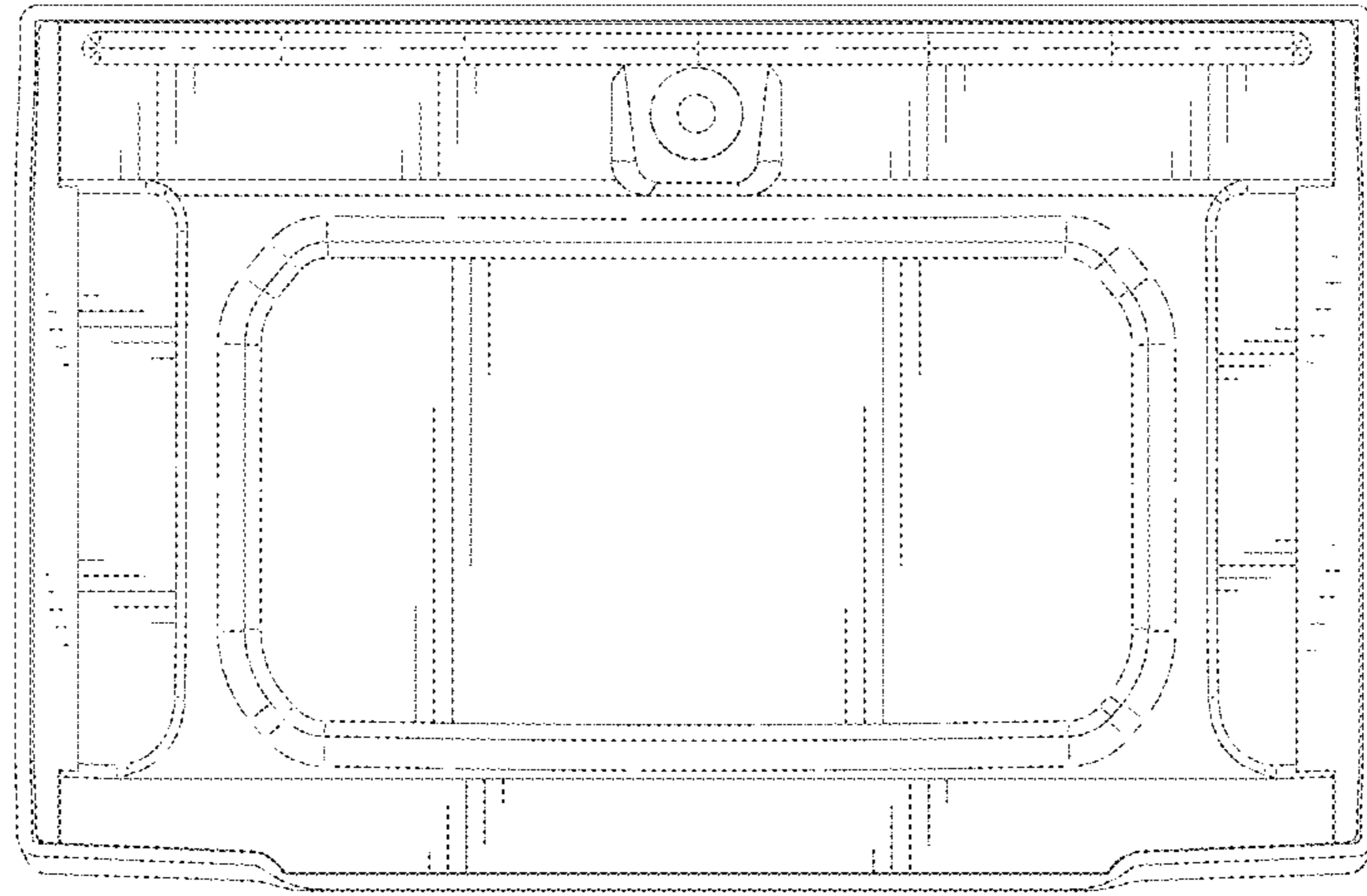


FIG. 3

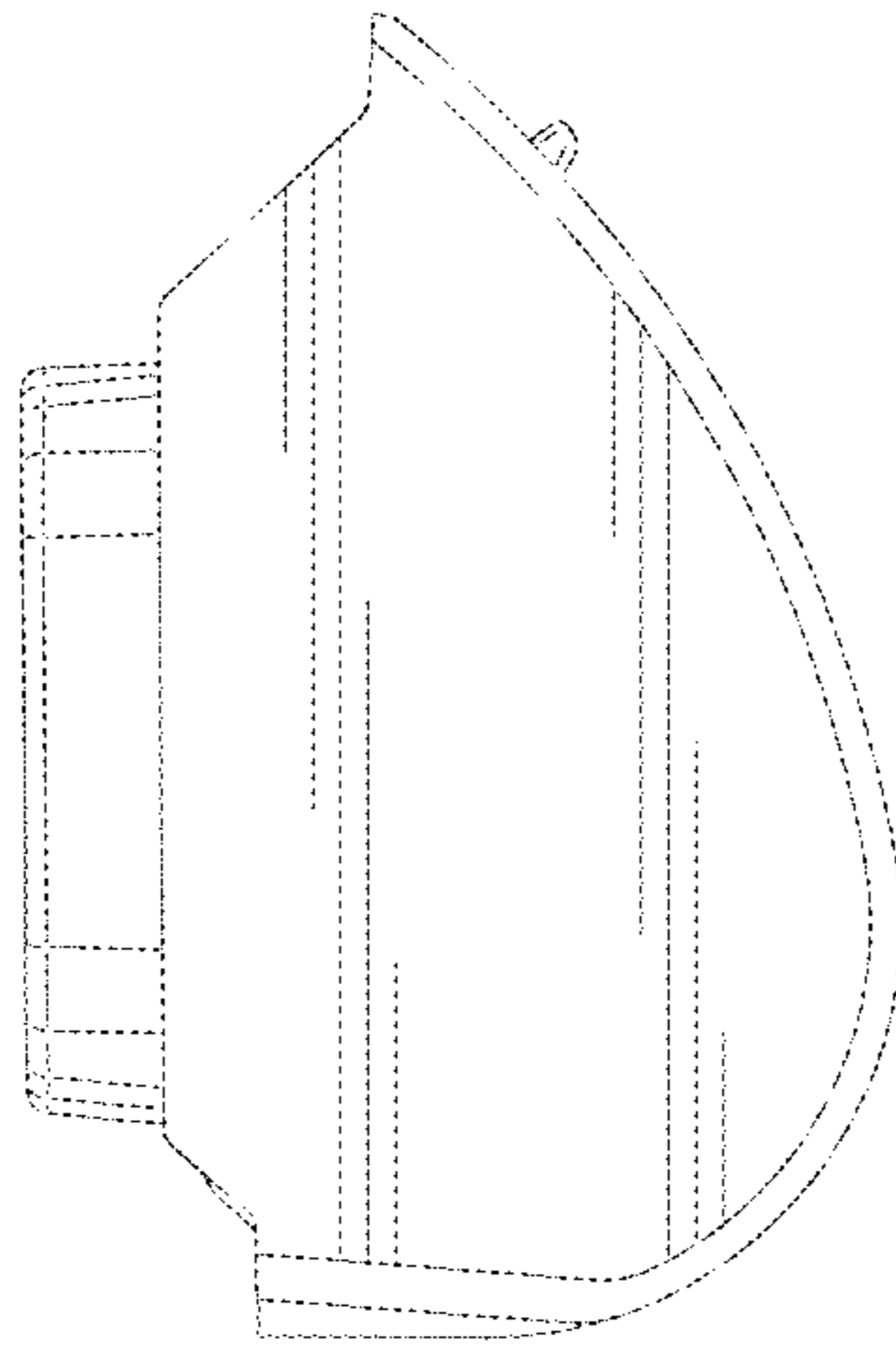


FIG. 4



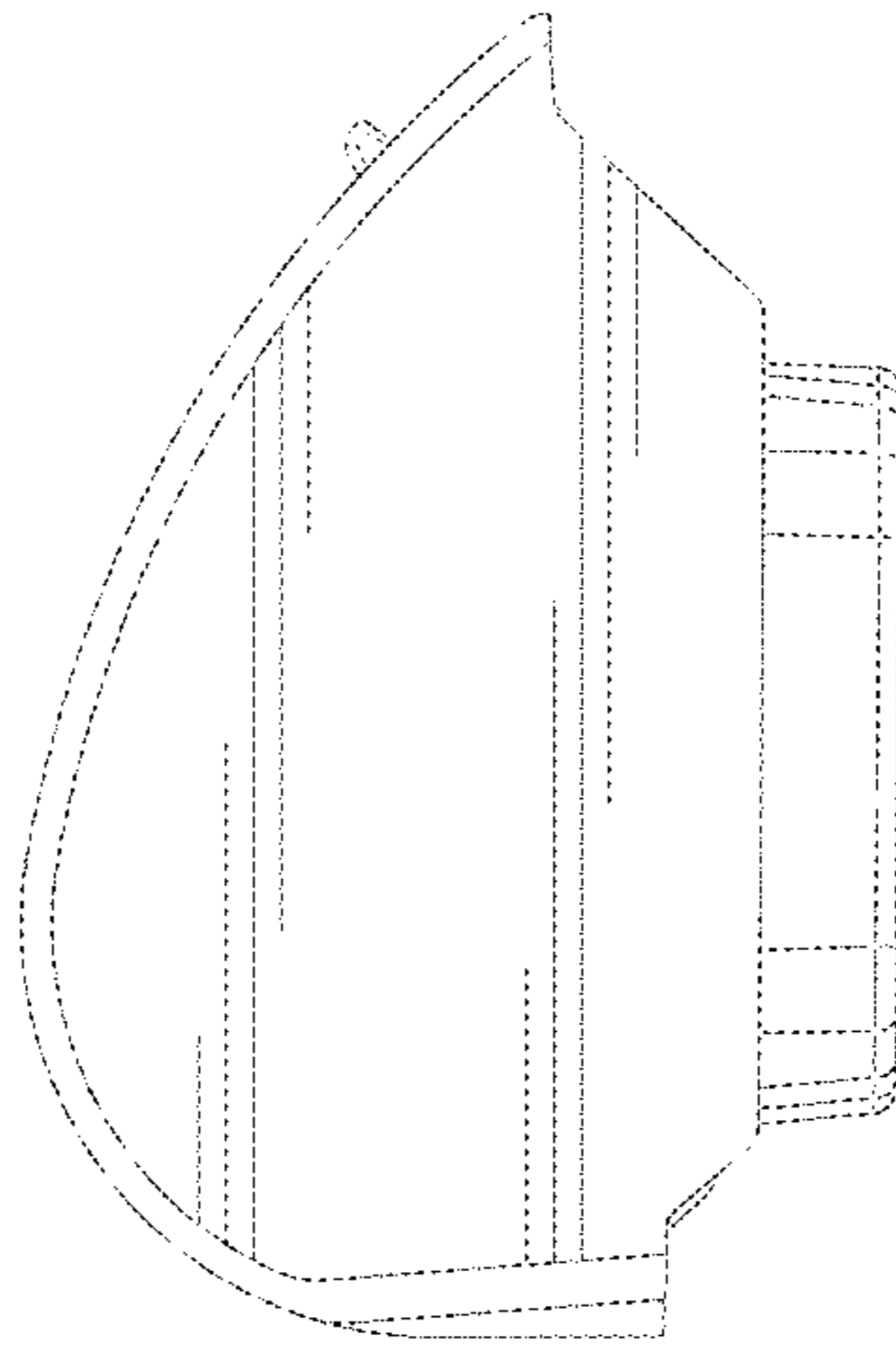


FIG. 5

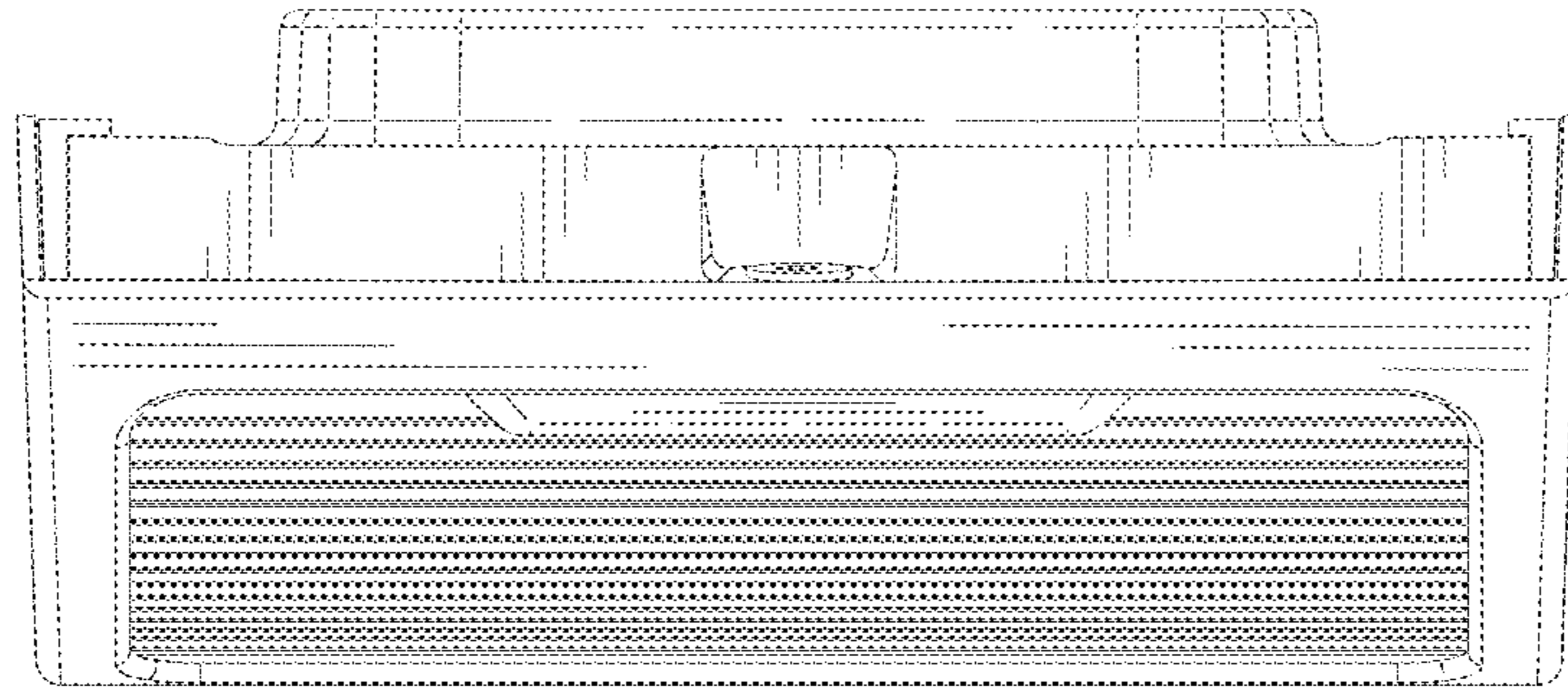


FIG. 6

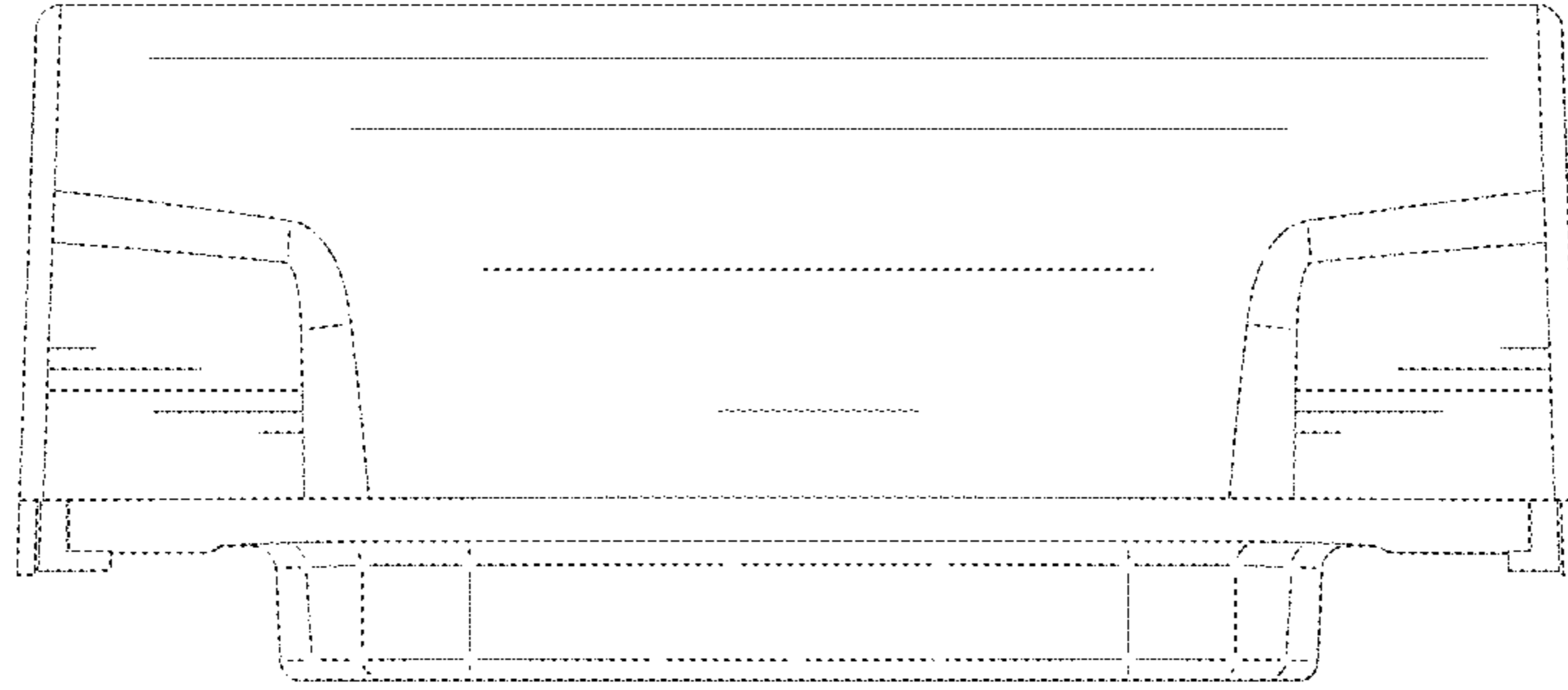


FIG. 7