



US00D966998S

(12) **United States Design Patent** (10) **Patent No.:** **US D966,998 S**
Park et al. (45) **Date of Patent:** **** Oct. 18, 2022**

(54) **ARMREST FOR TRACTOR**
(71) Applicant: **LS Mtron Ltd.**, Anyang-si (KR)
(72) Inventors: **Sang Hee Park**, Anyang-si (KR); **Ho Jung Kim**, Anyang-si (KR)
(73) Assignee: **LS MTRON LTD.**, Anyang-si (KR)
(**) Term: **15 Years**
(21) Appl. No.: **29/780,333**
(22) Filed: **Apr. 23, 2021**

(30) **Foreign Application Priority Data**

Nov. 5, 2020 (KR) 30-2020-0053292

(51) **LOC (13) Cl.** **12-16**
(52) **U.S. Cl.**
USPC **D12/421; D15/28**
(58) **Field of Classification Search**
USPC D15/10, 17, 22-26, 28, 30; D12/421,
D12/192, 415, 422-424; D34/28, 35
CPC B60N 2/46; B60N 2/4646; B60N 2/4653;
B60N 2/4693; B60N 2/38; A63F 13/24
See application file for complete search history.

(56) **References Cited**

U.S. PATENT DOCUMENTS

5,924,515 A * 7/1999 Stauffer A01D 67/04
180/326
D427,207 S * 6/2000 Altmann D15/28
D458,278 S * 6/2002 Clevenger D15/28
D463,458 S * 9/2002 Arthur D15/28

D539,311 S * 3/2007 Honda D15/28
D581,861 S * 12/2008 Anttila D12/421
D581,862 S * 12/2008 Anttila D12/421
D760,813 S * 7/2016 Roemer D15/28
D840,917 S * 2/2019 Brooks D12/421
D854,055 S * 7/2019 Hiraoka D15/28
D871,311 S * 12/2019 TenBrink D12/415
D903,725 S * 12/2020 Loew D15/28
D938,343 S * 12/2021 Oliveira Andersson D15/28
D953,966 S * 6/2022 Sasaki B60N 2/38
D15/28
2006/0061122 A1 * 3/2006 Billger B66F 9/0759
296/65.07
2010/0052356 A1 * 3/2010 Lewis, II B60N 2/501
297/219.1
2021/0261205 A1 * 8/2021 McConoughey B60N 2/77

* cited by examiner

Primary Examiner — Mark A Goodwin

(74) *Attorney, Agent, or Firm* — K&L Gates LLP

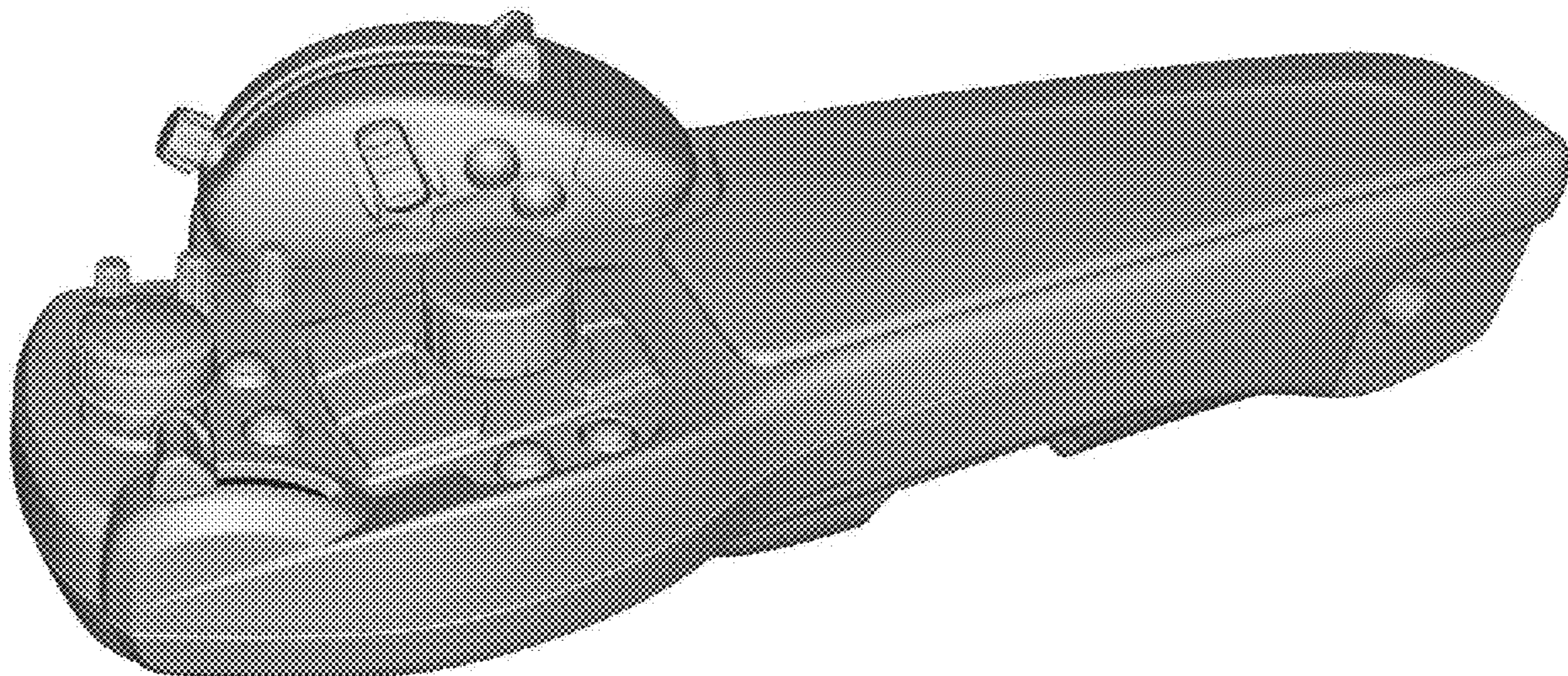
(57) **CLAIM**

The ornamental design for an armrest for tractor, as shown and described herein.

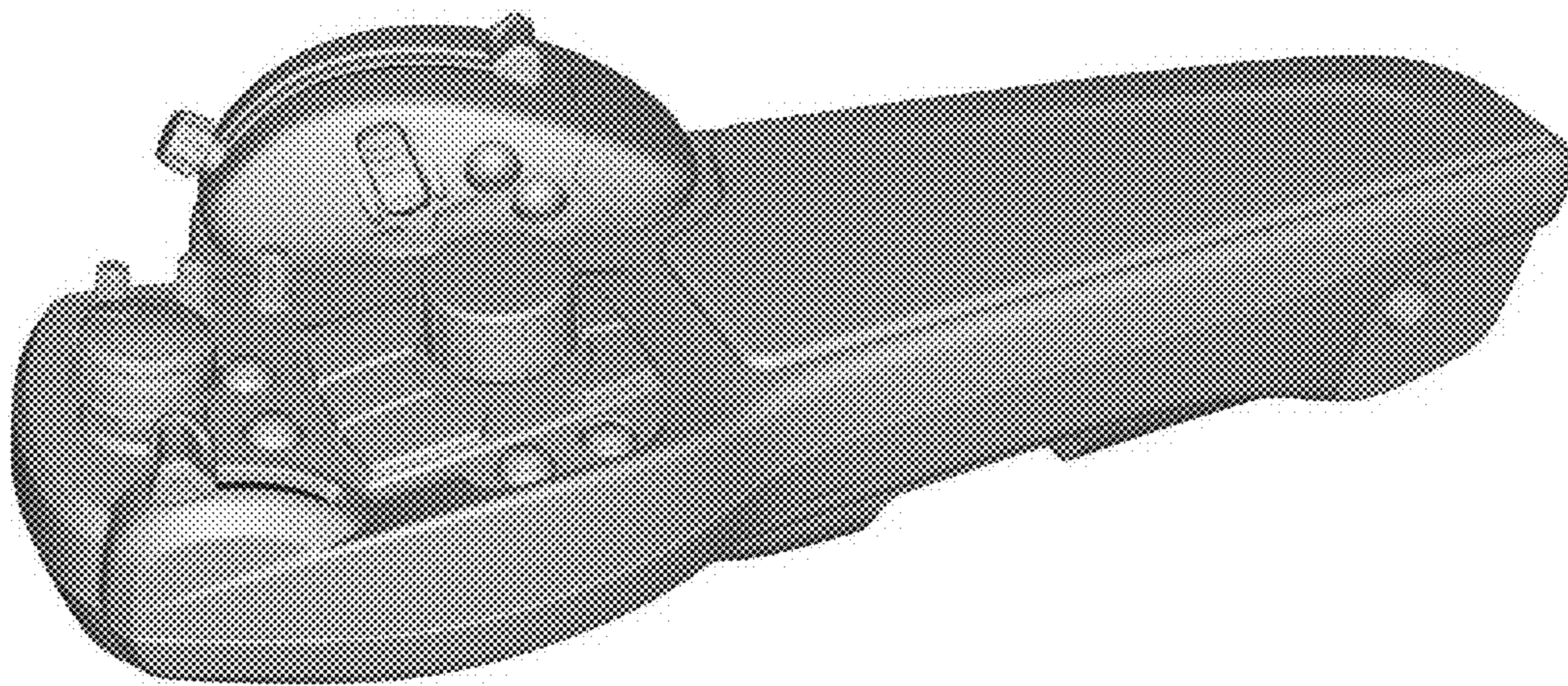
DESCRIPTION

FIG. 1 is a perspective view of an armrest for tractor showing the new design;
FIG. 2 is a front view thereof;
FIG. 3 is a rear view thereof based on FIG. 2;
FIG. 4 is a left-side view thereof based on FIG. 2;
FIG. 5 is a right-side view thereof based on FIG. 2;
FIG. 6 is a top view thereof based on FIG. 2; and,
FIG. 7 is a bottom view thereof based on FIG. 2.

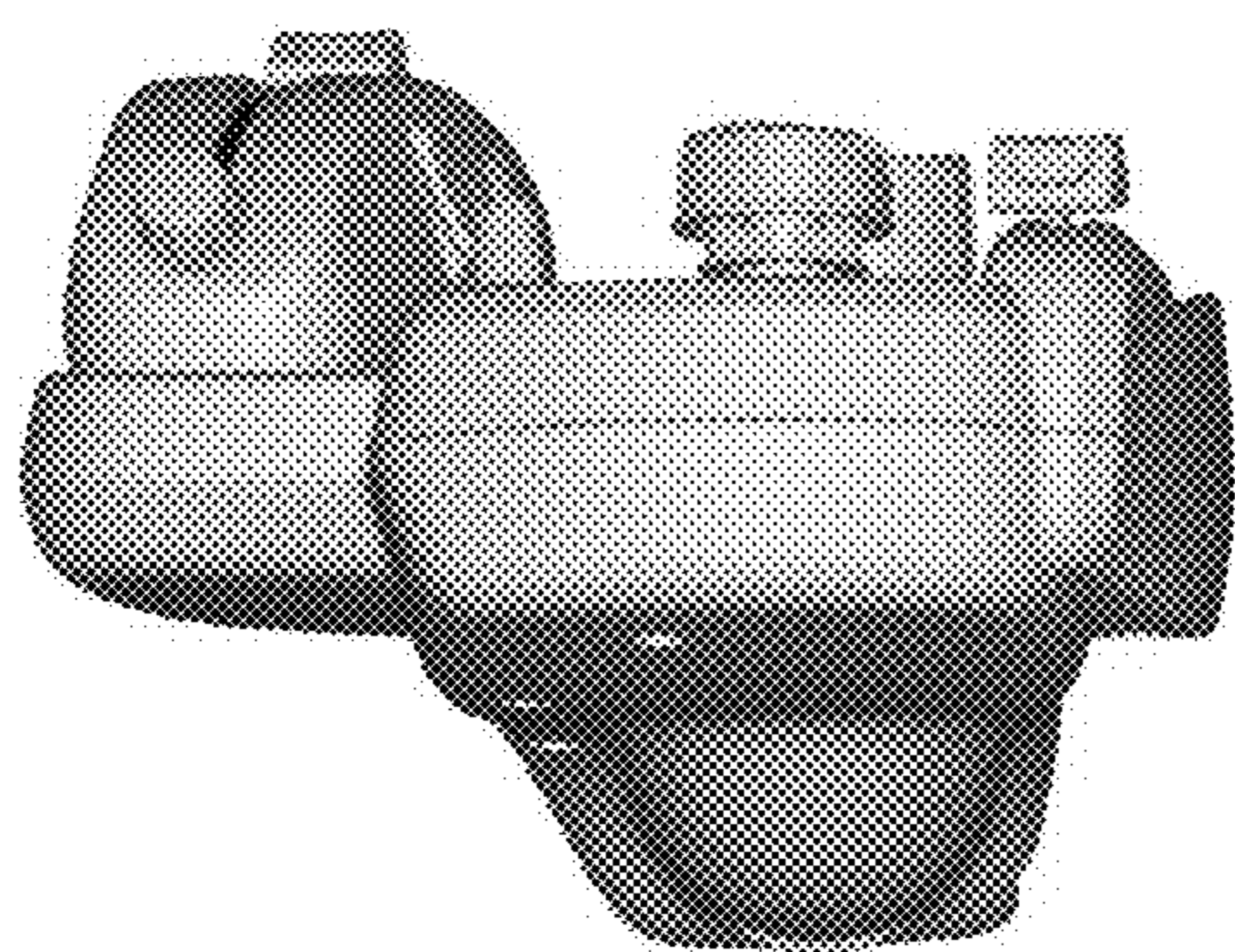
1 Claim, 4 Drawing Sheets



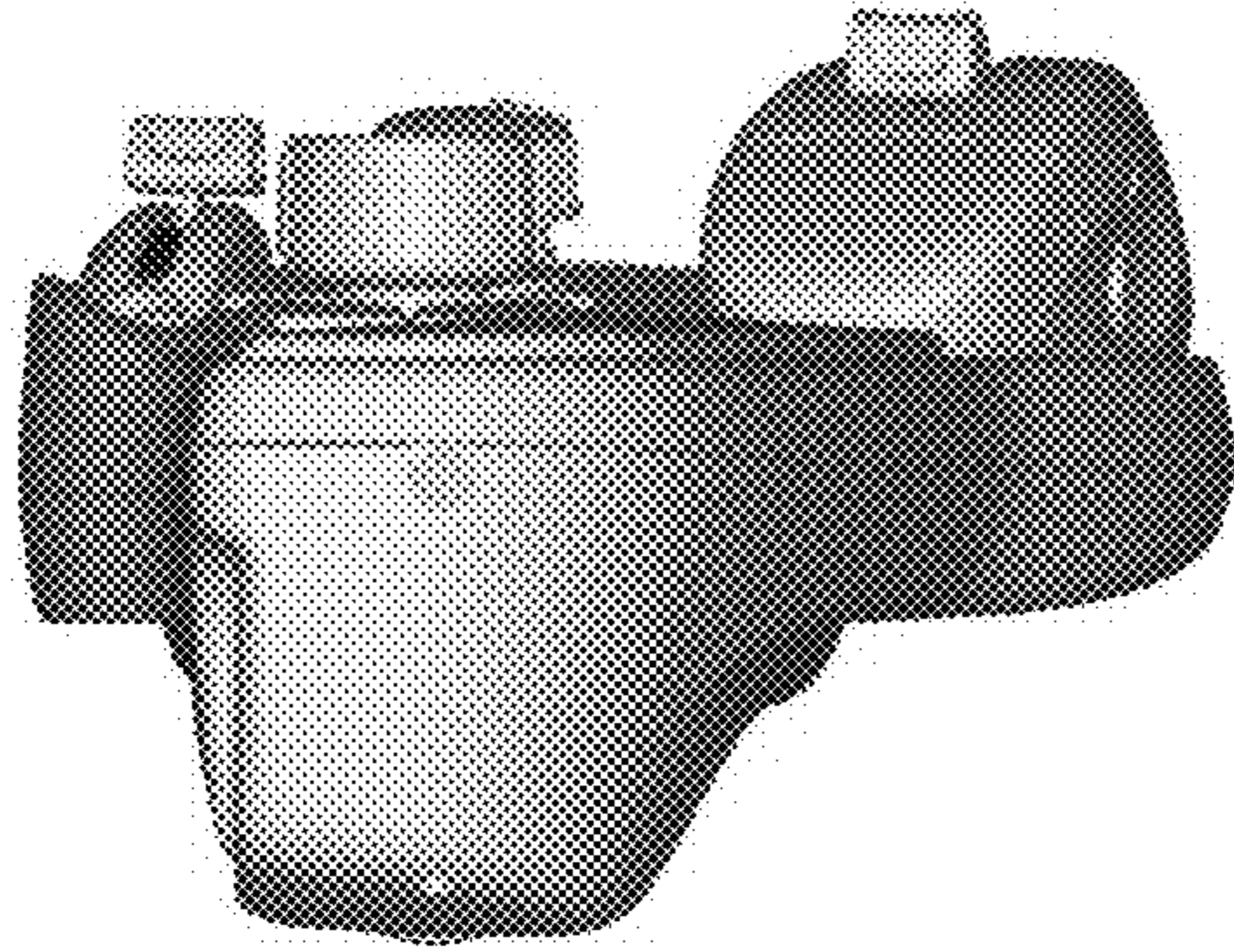
【Fig. 1】



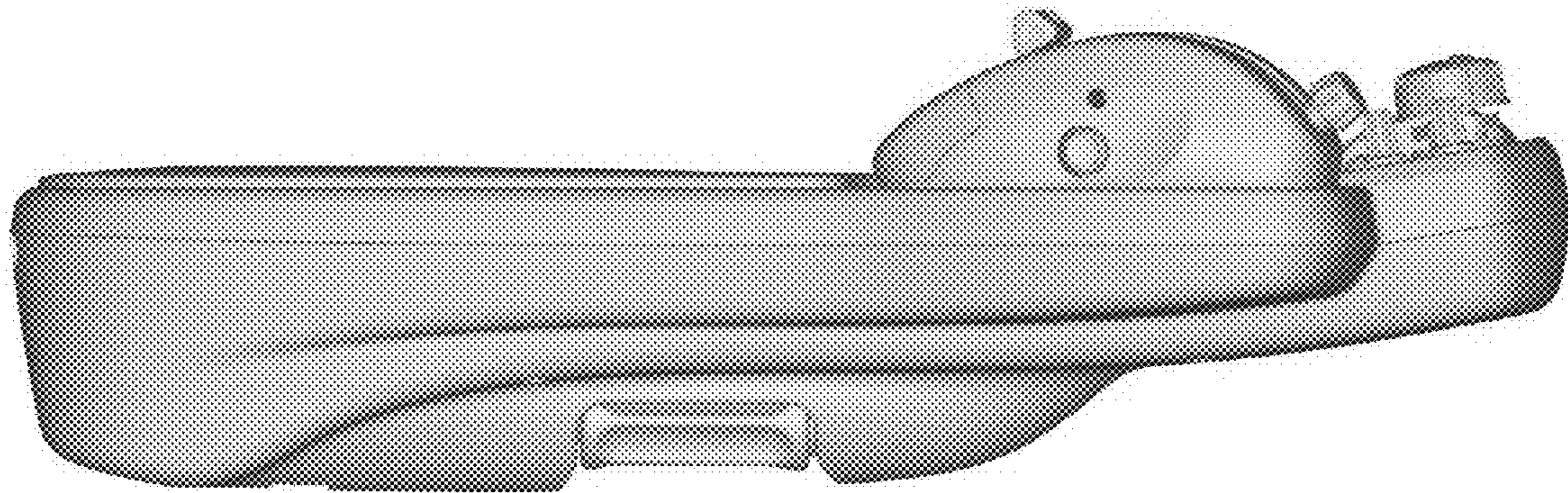
【Fig. 2】



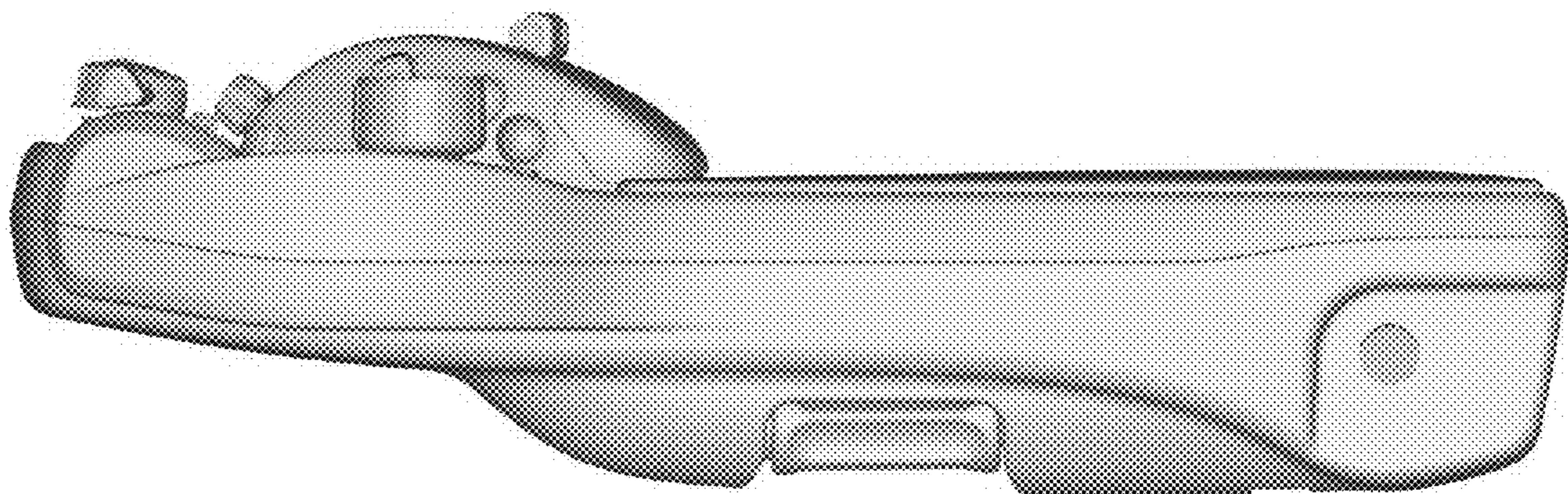
【Fig. 3】



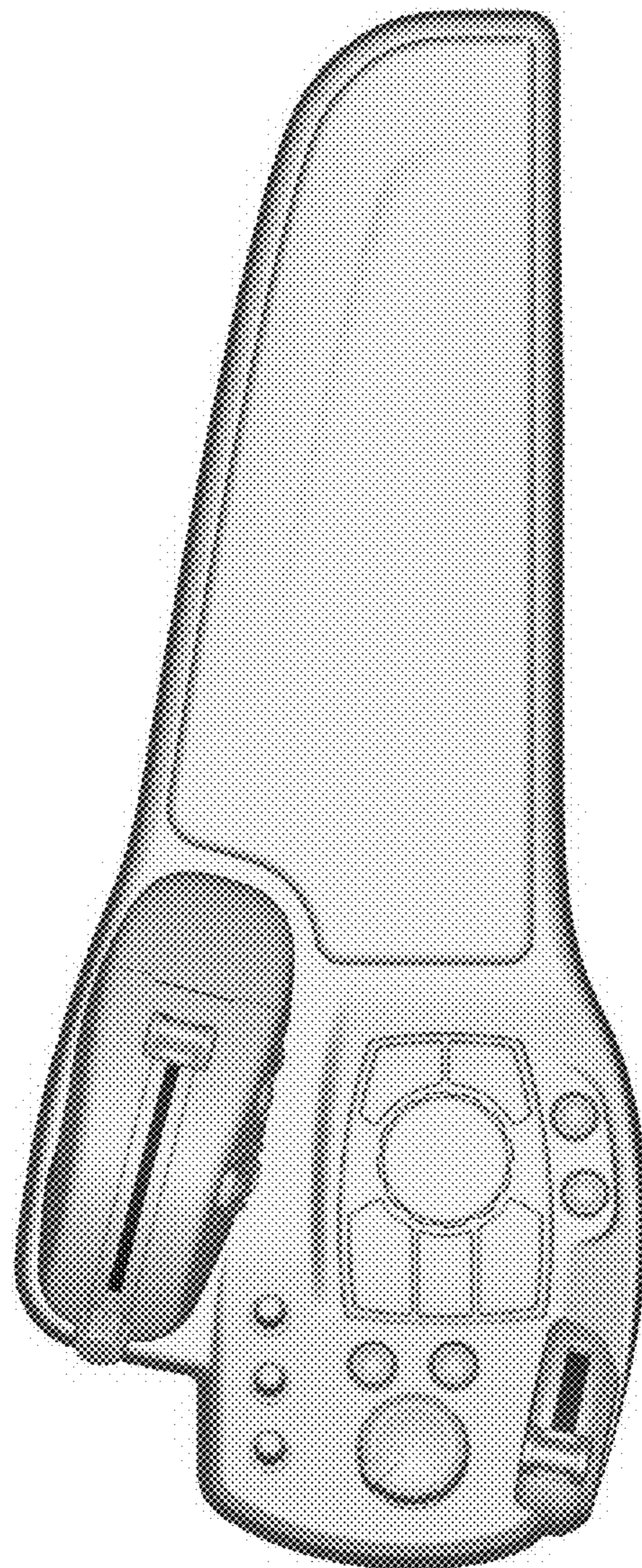
【Fig. 4】



【Fig. 5】



[Fig. 6]



【Fig. 7】

