

US00D966997S

(12) **United States Design Patent** (10) **Patent No.:** **US D966,997 S**
Zhu (45) **Date of Patent:** **** Oct. 18, 2022**

(54) **MULTI-FUNCTIONAL CAR WATER CUP HOLDER**

(71) Applicant: **Jianzhang Zhu**, Chaozhou (CN)

(72) Inventor: **Jianzhang Zhu**, Chaozhou (CN)

(73) Assignee: **Jianzhang Zhu**, Chaozhou (CN)

(**) Term: **15 Years**

(21) Appl. No.: **29/835,260**

(22) Filed: **Apr. 18, 2022**

(51) **LOC (13) Cl.** **12-16**

(52) **U.S. Cl.**
USPC **D12/419**

(58) **Field of Classification Search**
USPC D12/415, 419; D7/620
CPC .. B60R 7/08; B60Q 3/225; B60Q 3/64; B60N
3/10
See application file for complete search history.

(56) **References Cited**

U.S. PATENT DOCUMENTS

D868,674 S * 12/2019 Lozier D12/419
D877,045 S * 3/2020 Johnson D12/419
D877,046 S * 3/2020 Park D12/419
D906,229 S * 12/2020 Han D12/419
D913,201 S * 3/2021 Jia D12/419

D937,754 S * 12/2021 Xu D12/419
D938,342 S * 12/2021 Yang D12/419
D940,050 S * 1/2022 Lai D12/419
D940,635 S * 1/2022 Yang D12/419
D940,636 S * 1/2022 Yang D12/419
D945,948 S * 3/2022 Yu D12/419
D945,949 S * 3/2022 Yu D7/624.2

* cited by examiner

Primary Examiner — Katrina A Betton

(74) *Attorney, Agent, or Firm* — Nitin Kaushik

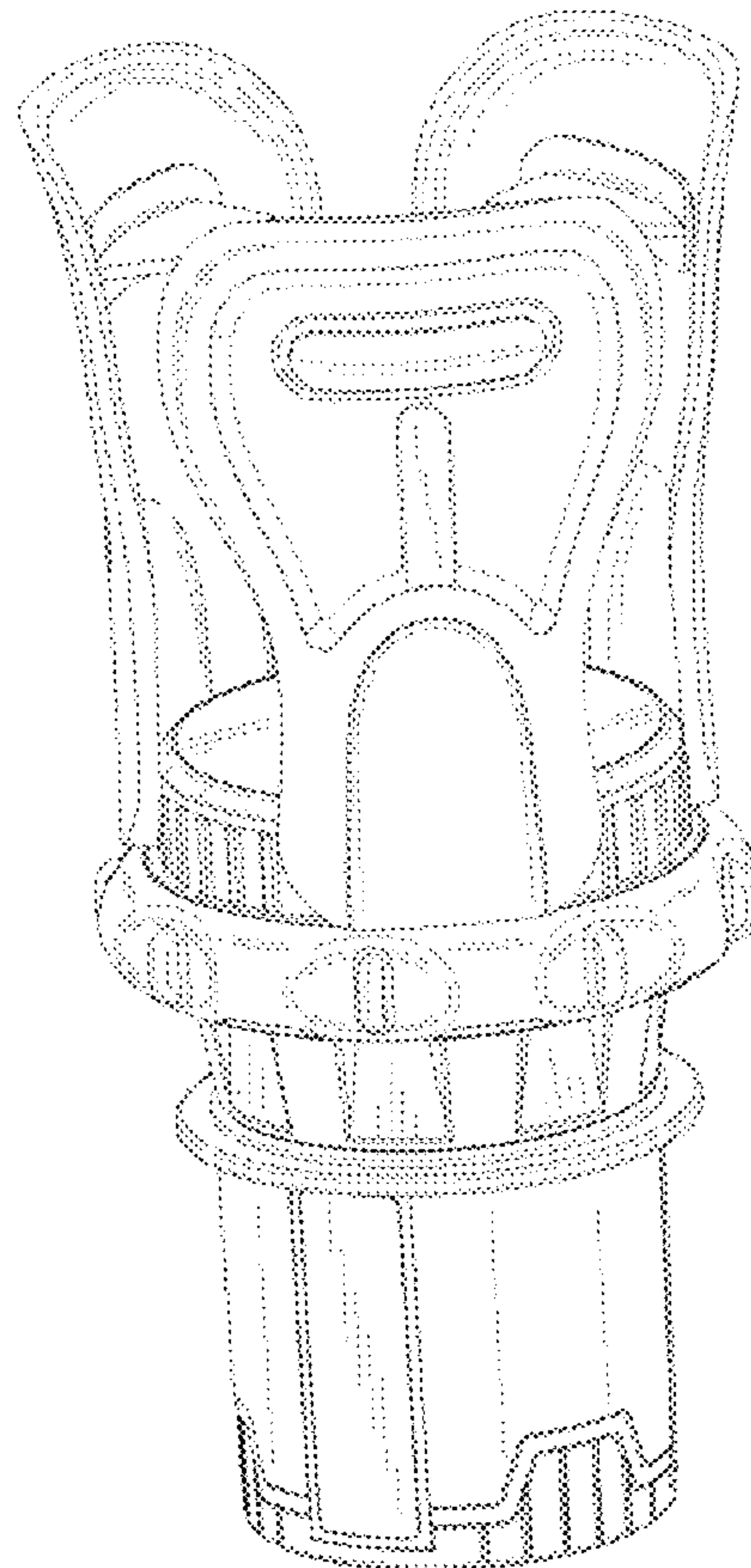
(57) **CLAIM**

The ornamental design for a multi-functional car water cup holder, as shown and described.

DESCRIPTION

FIG. 1 is a front, top and right side perspective view of a multi-functional car water cup holder, showing my new design;
FIG. 2 is a front view thereof;
FIG. 3 is a rear view thereof;
FIG. 4 is a left side view thereof;
FIG. 5 is a right side view thereof;
FIG. 6 is a top view thereof; and,
FIG. 7 is a bottom view thereof.

1 Claim, 7 Drawing Sheets



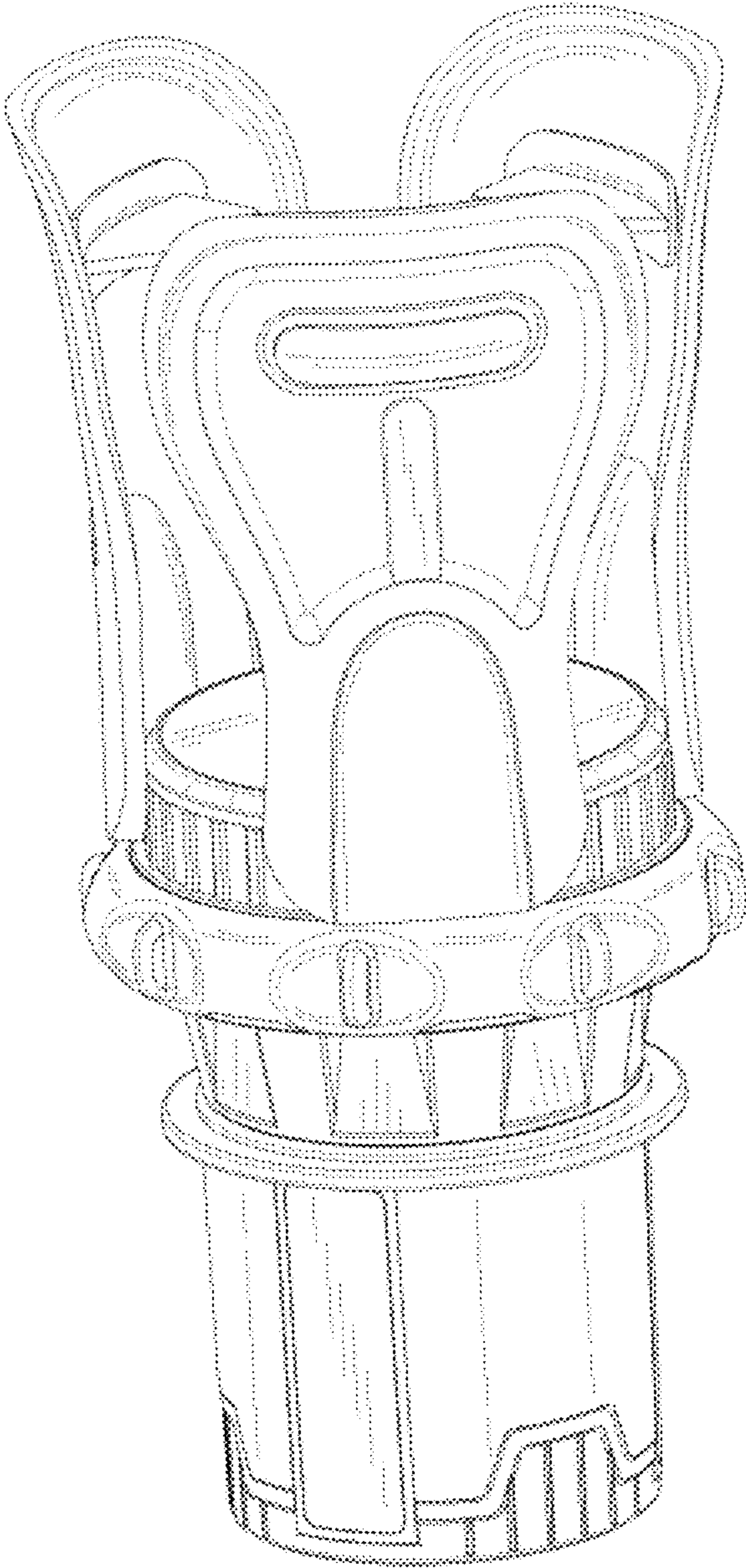


FIG. 1

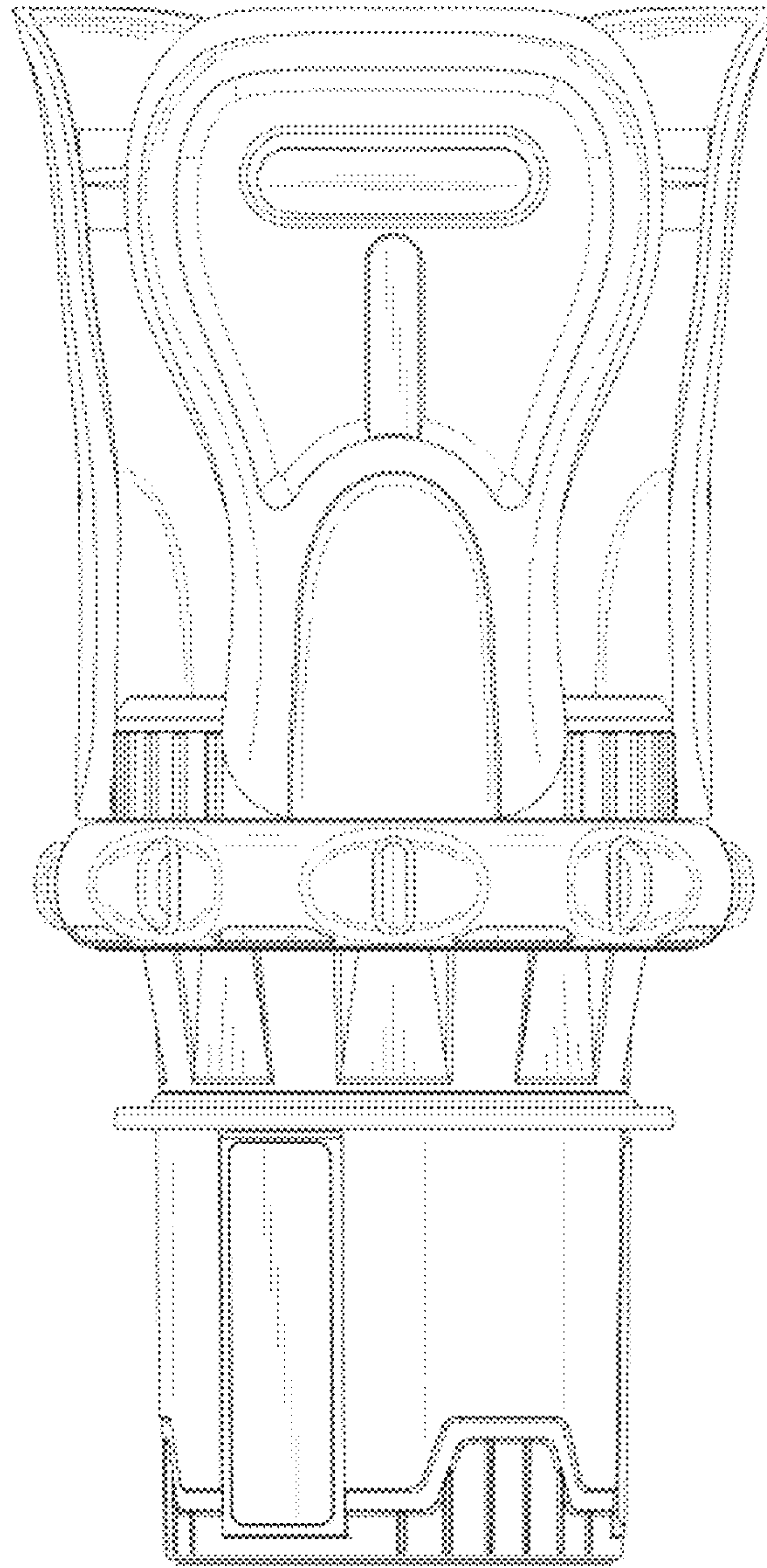


FIG. 2

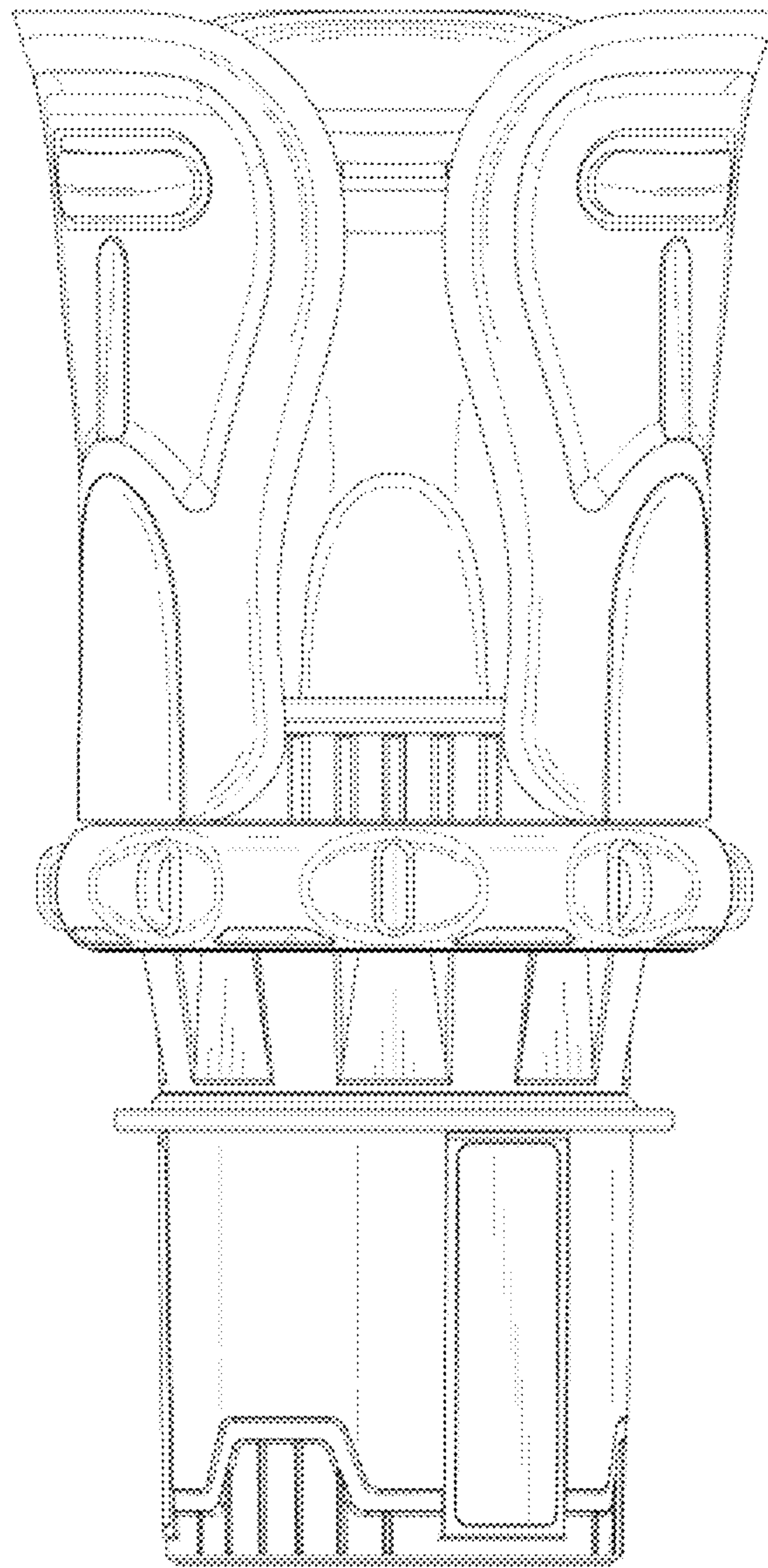


FIG. 3

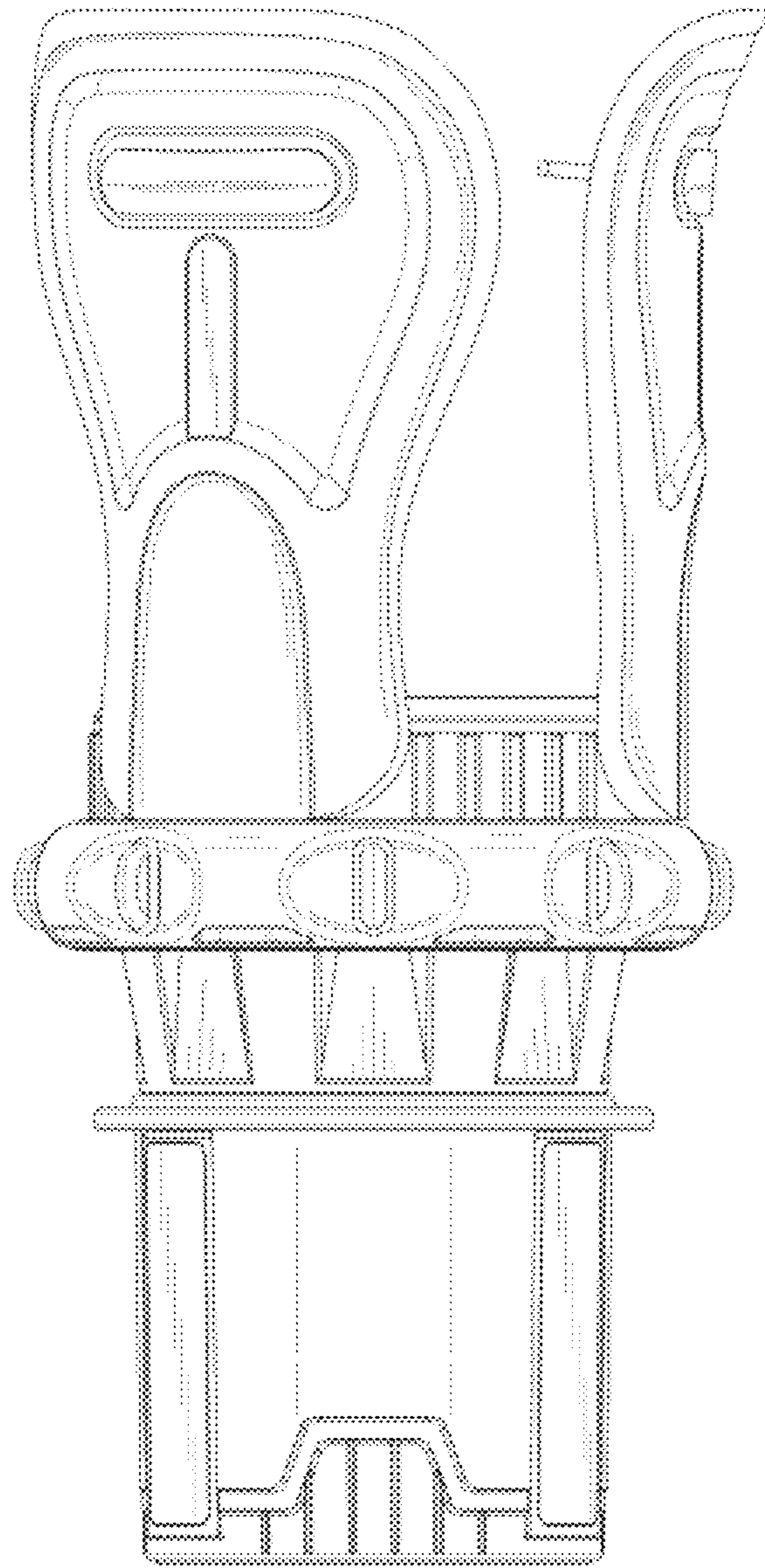


FIG. 4

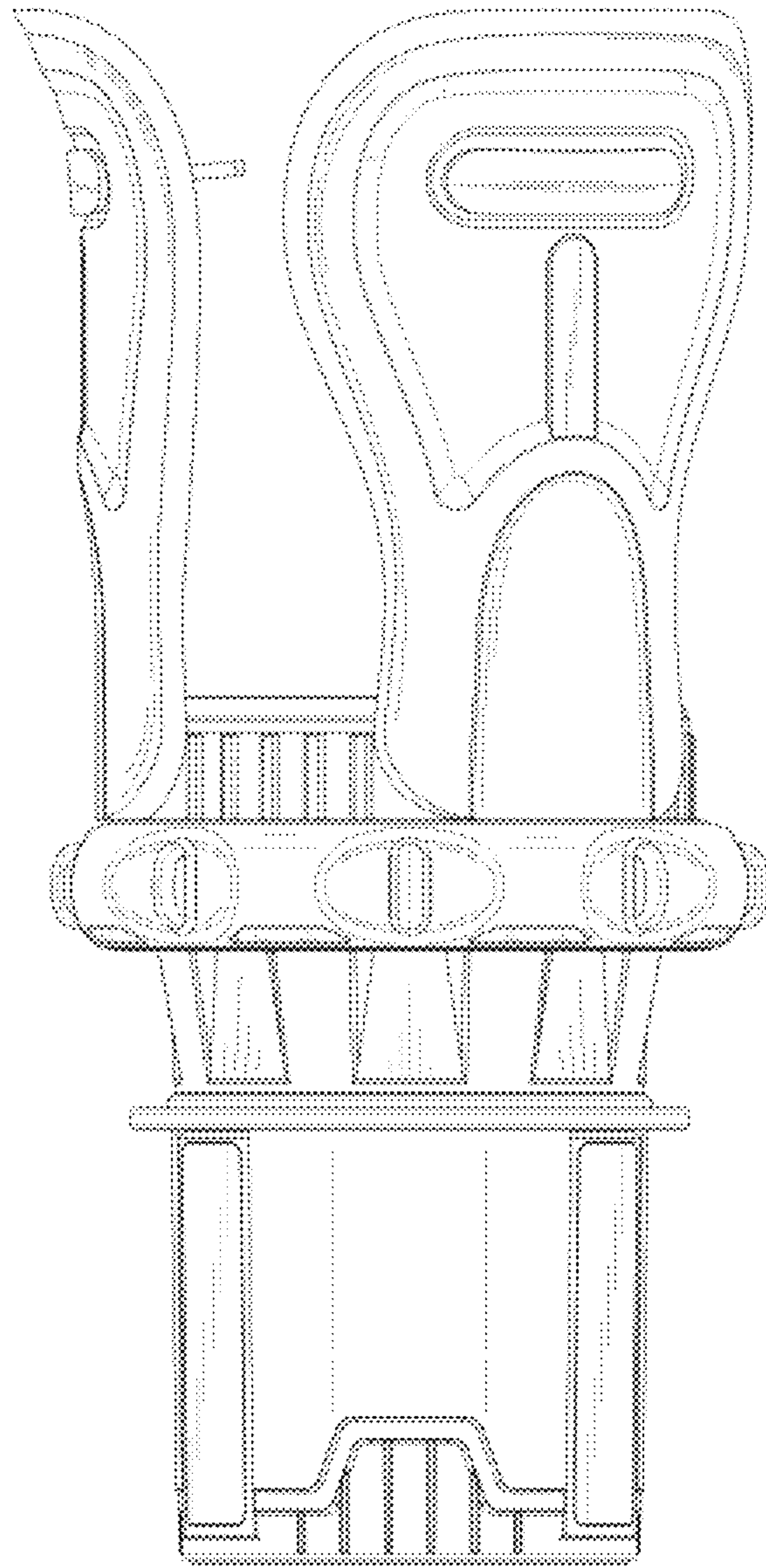


FIG. 5

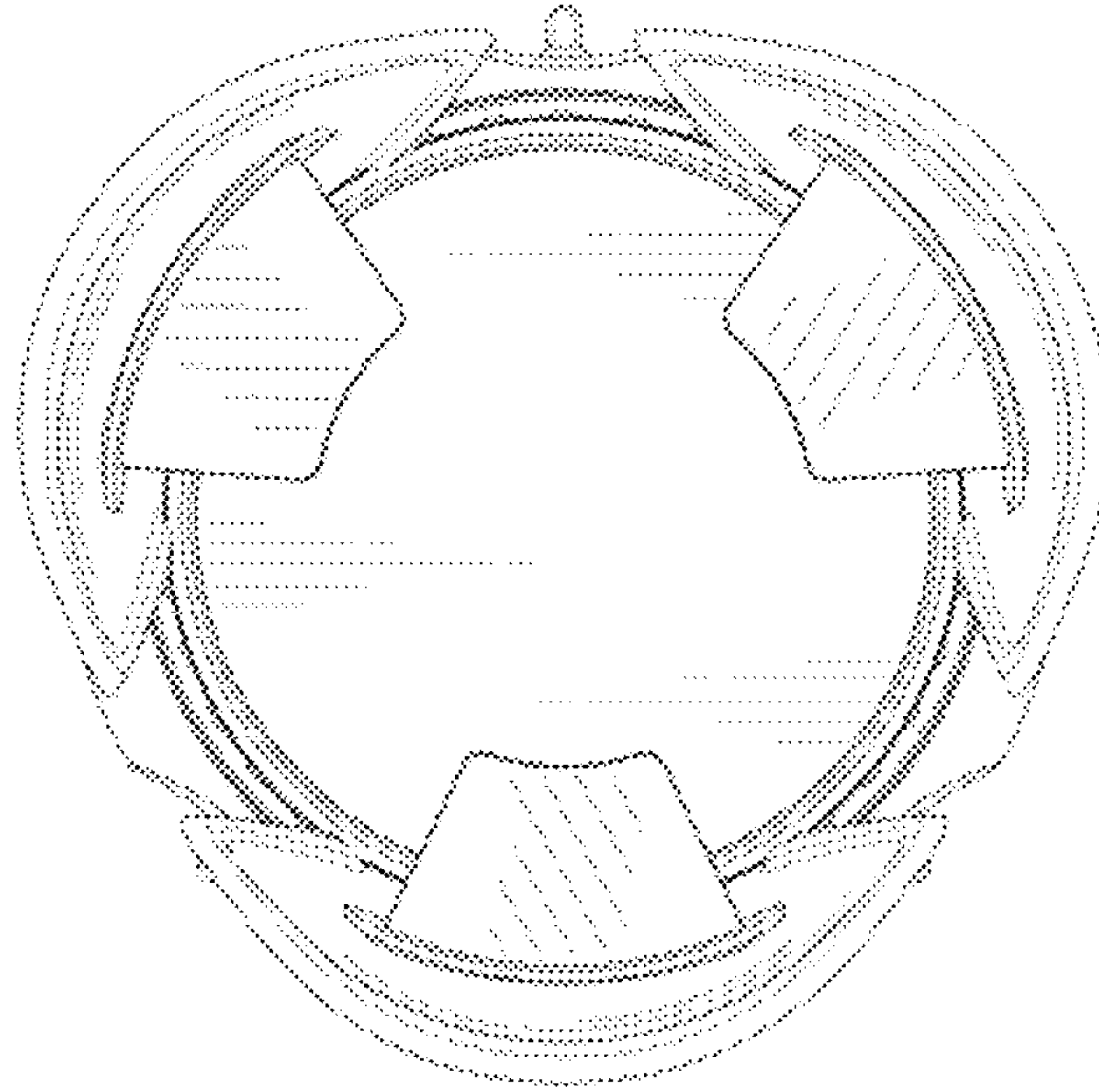


FIG. 6

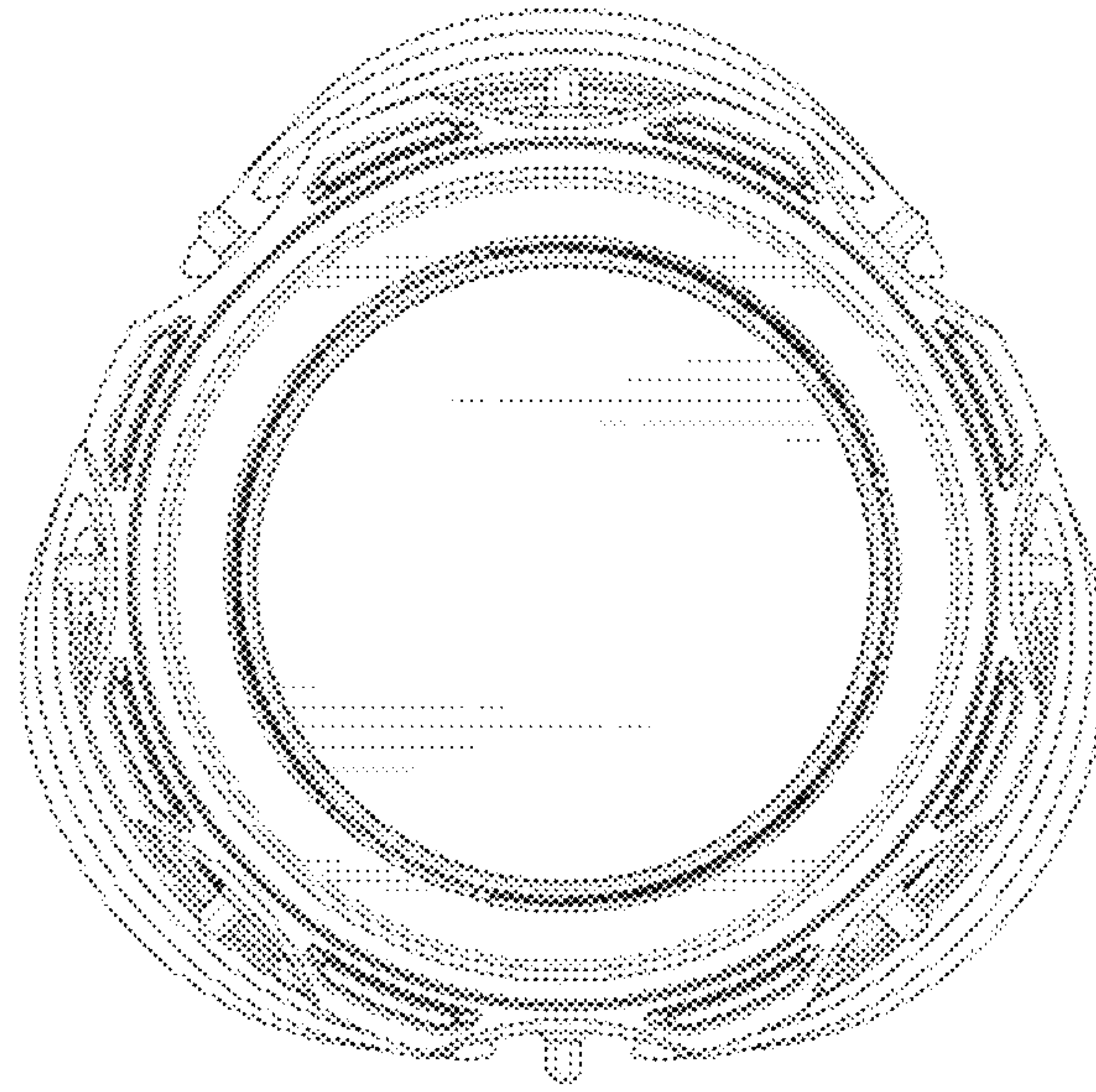


FIG. 7