

US00D966994S

(12) **United States Design Patent**
Chen

(10) **Patent No.:** **US D966,994 S**

(45) **Date of Patent:** **** Oct. 18, 2022**

(54) **MOSQUITO NET FOR BABY CAR SEAT**

(71) Applicant: **LIANYUNGANG WILSTON CHILD PRODUCTS CO., LTD**, Lianyungang (CN)

(72) Inventor: **Shi Xuan Chen**, Lianyungang (CN)

(73) Assignee: **LIANYUNGANG WILSTON CHILD PRODUCTS CO., LTD**, Lianyungang (CN)

(**) Term: **15 Years**

(21) Appl. No.: **29/808,369**

(22) Filed: **Sep. 18, 2021**

(51) **LOC (13) Cl.** **12-16**

(52) **U.S. Cl.**
USPC **D12/403**

(58) **Field of Classification Search**
USPC D12/401-406; D6/610, 611, 596, 601, D6/602, 603, 615, 617, 621; D7/332, D7/334-337

CPC B65D 85/68; B65D 31/16; B65D 33/02; B60R 5/04; B60R 5/045; B60P 7/04

See application file for complete search history.

(56) **References Cited**

U.S. PATENT DOCUMENTS

D333,646 S *	3/1993	Levy	D12/403
D337,979 S *	8/1993	Napieraj	D21/834
D503,143 S *	3/2005	Napieraj	D12/403
D583,746 S *	12/2008	Napieraj	D12/403
D583,747 S *	12/2008	Napieraj	D12/403
D691,941 S *	10/2013	Knight	D12/403
D796,420 S *	9/2017	Abrams	D12/403

D847,080 S *	4/2019	Jameson	D12/403
D905,615 S *	12/2020	Patrech	D12/403
D935,378 S *	11/2021	Chen	D12/403
D938,340 S *	12/2021	Yan	D12/403

OTHER PUBLICATIONS

“Enovoe Mosquito Net for Stroller—Durable Baby Stroller Mosquito Net—Perfect Bug Net for Strollers, Bassinets, Cradles, Playards, Pack N Plays and Portable Mini Crib”, Retrieved Sep. 18, 2021]. Retrieved from Internet, <https://www.amazon.com/Enovoe-Baby-Mosquito-Net-Stroller/dp/B084YRGZJP>.

“2 Pack Mosquito Cover for Stroller, Bug Net for Car Seat, Portable Durable, No Harmful Chemicals, Long-Lasting Infant Insect Shield Netting, White (M+L)”, Retrieved Sep. 18, 2021]. Retrieved from Internet, <https://www.amazon.com/Mosquito-Strollers-Universal-Lasting-Netting/dp/B07Q6SKMYV>.

* cited by examiner

Primary Examiner — Katrina A Betton

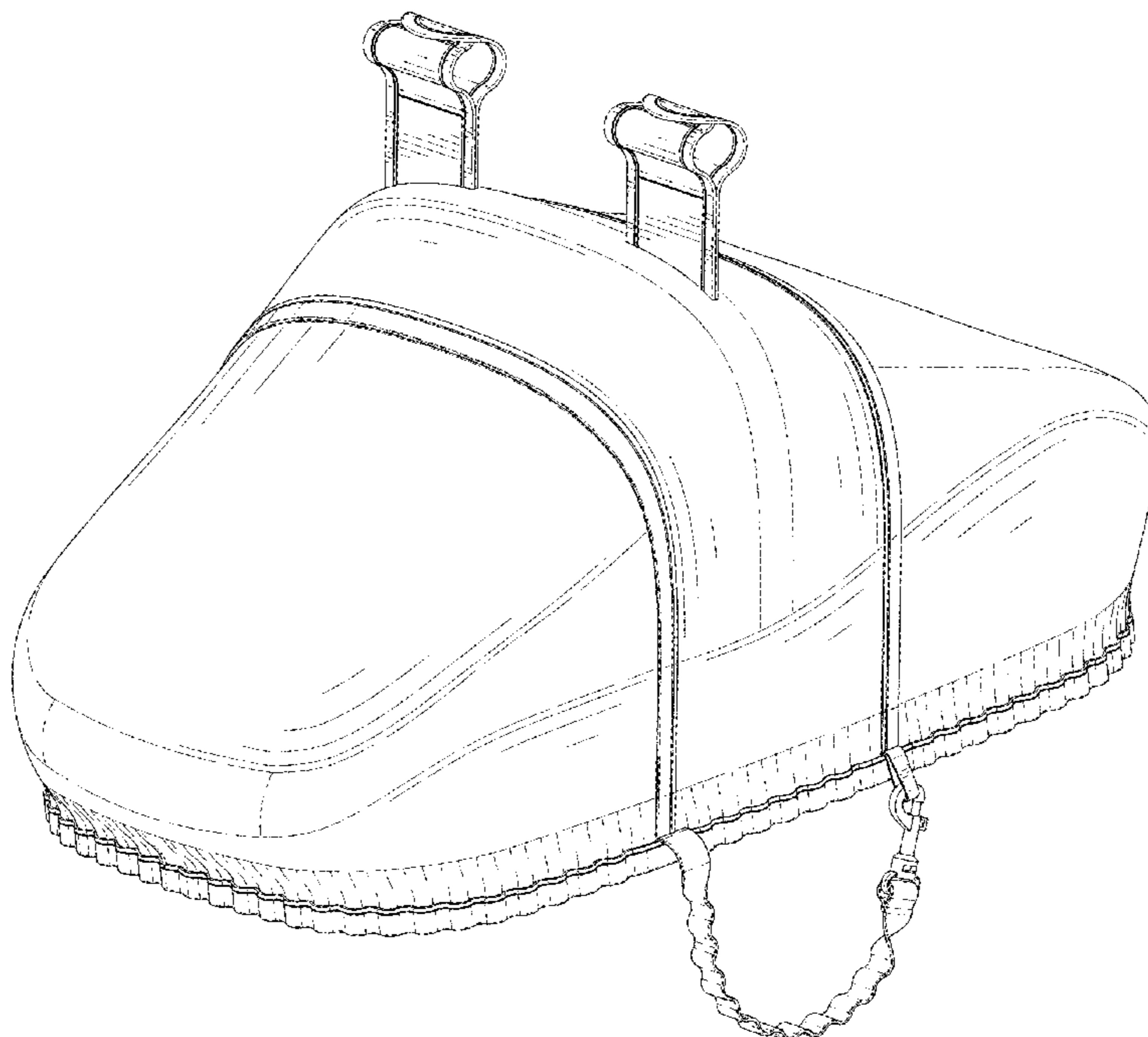
(57) **CLAIM**

The ornamental design for a mosquito net for baby car seat, as shown and described.

DESCRIPTION

FIG. 1 is a perspective view of a mosquito net for baby car seat showing my new design; FIG. 2 is another perspective view thereof; FIG. 3 is a front elevational view thereof; FIG. 4 is a rear elevational view thereof; FIG. 5 is a left side elevational view thereof; FIG. 6 is a right side elevational view thereof; FIG. 7 is a top plan view thereof; and, FIG. 8 is a bottom plan view thereof.

1 Claim, 8 Drawing Sheets



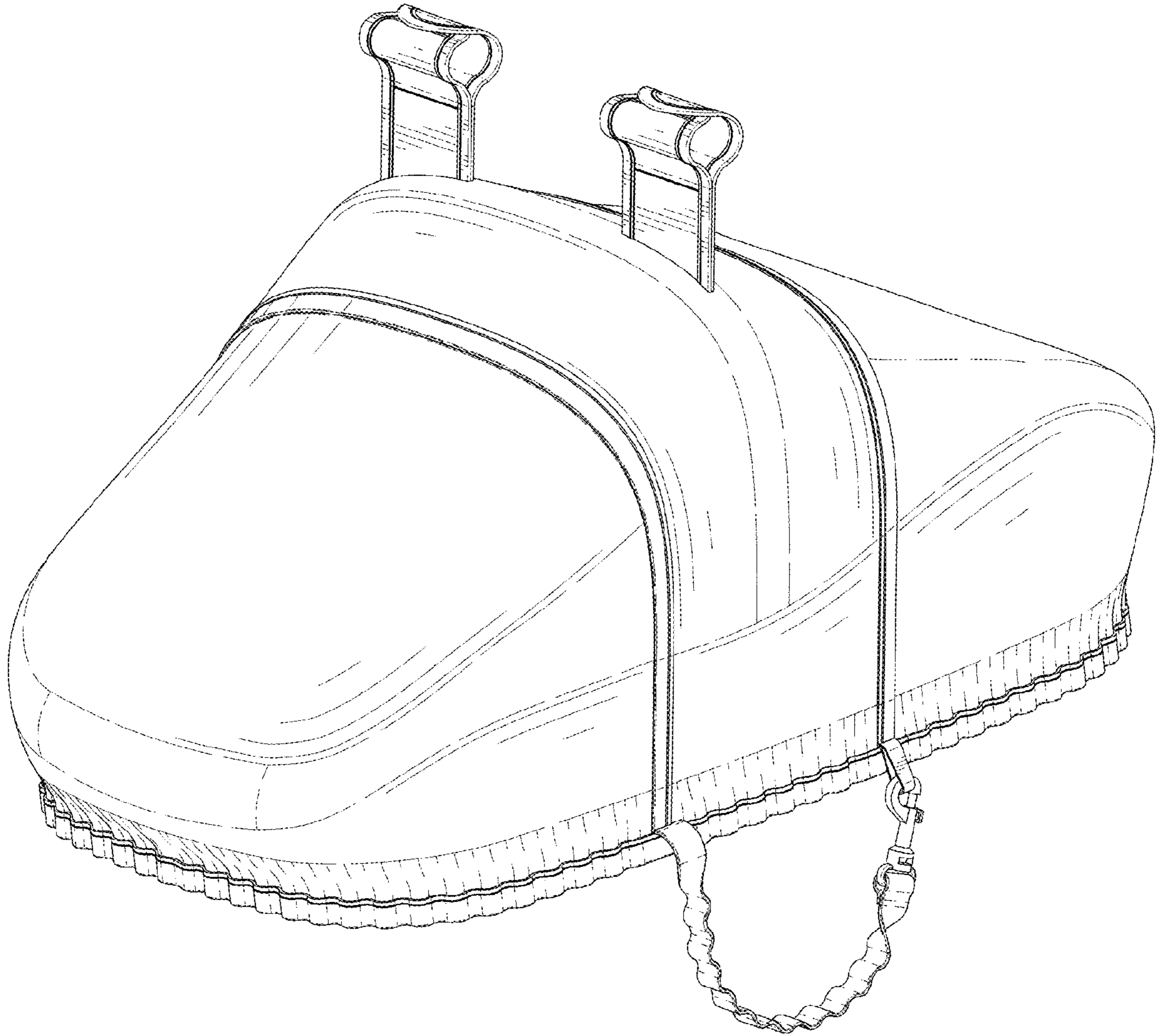


FIG. 1

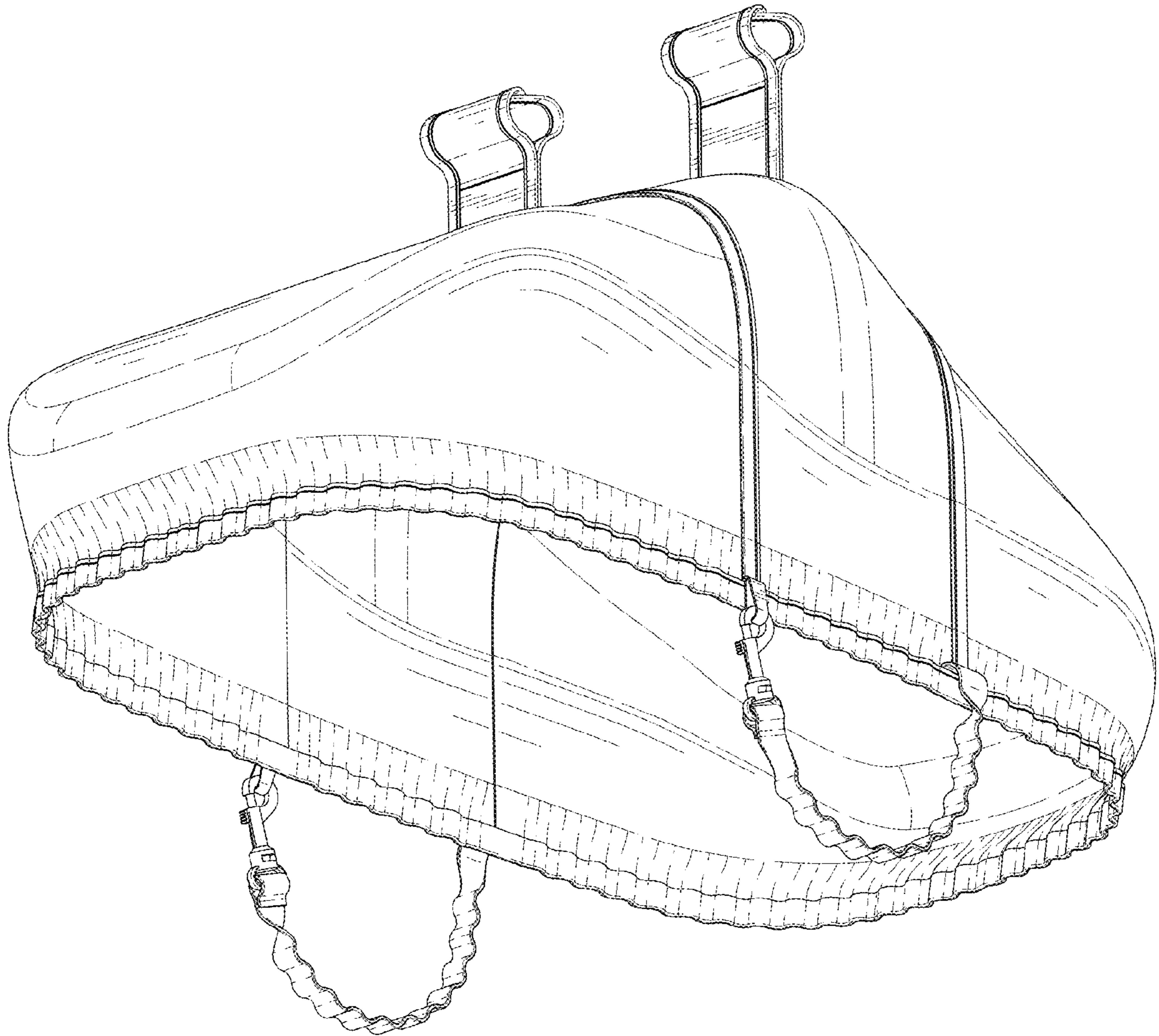


FIG. 2

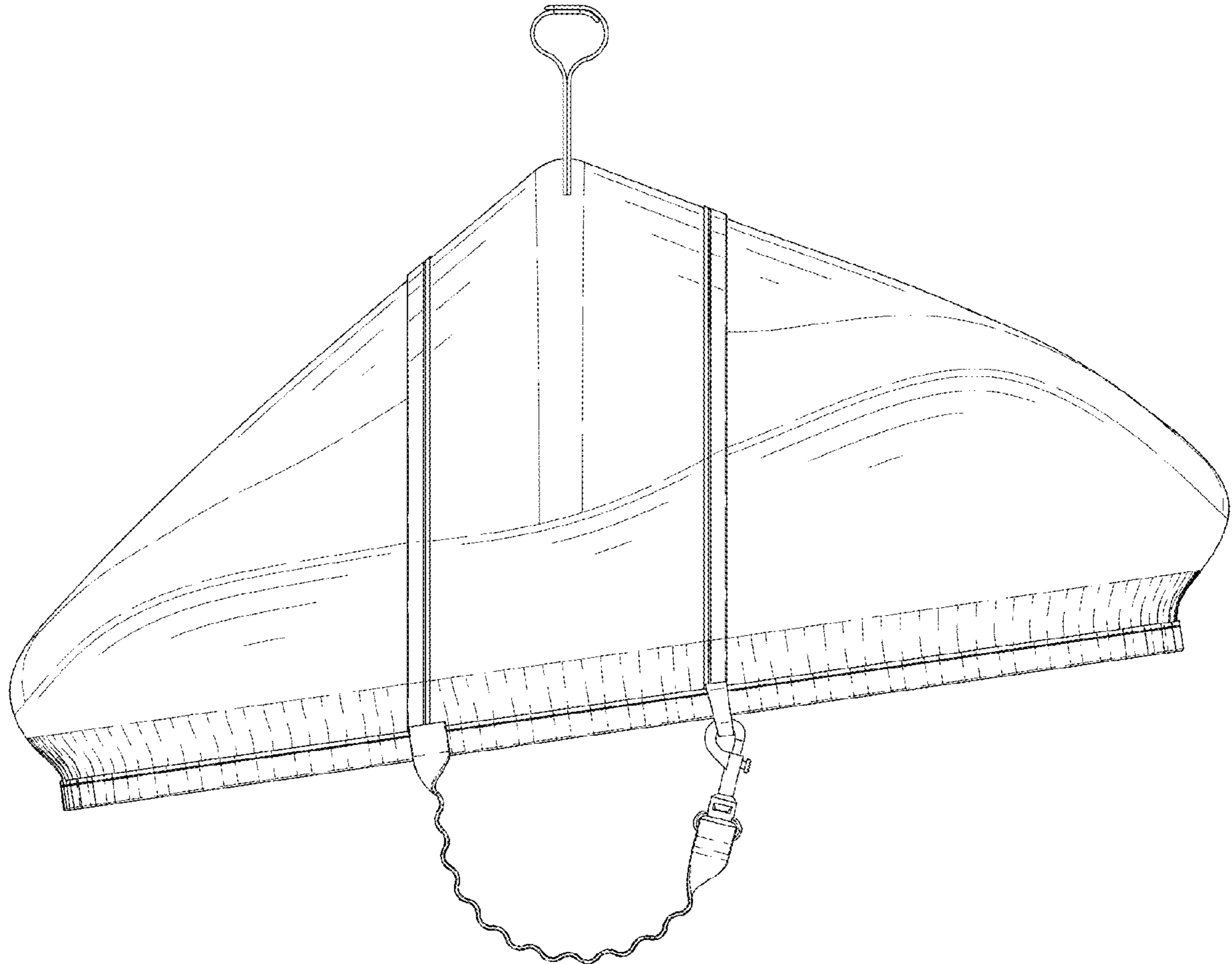


FIG. 3

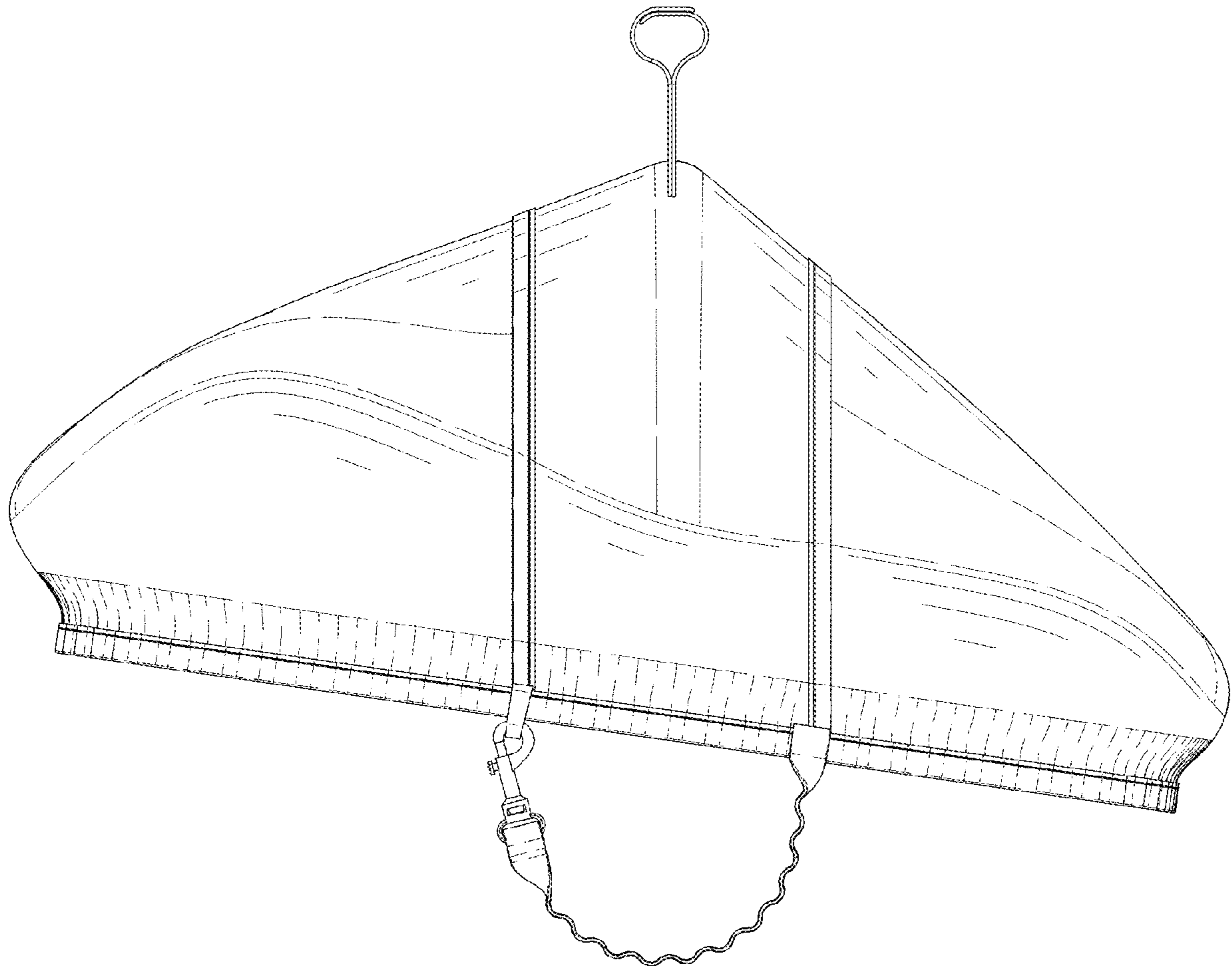


FIG. 4

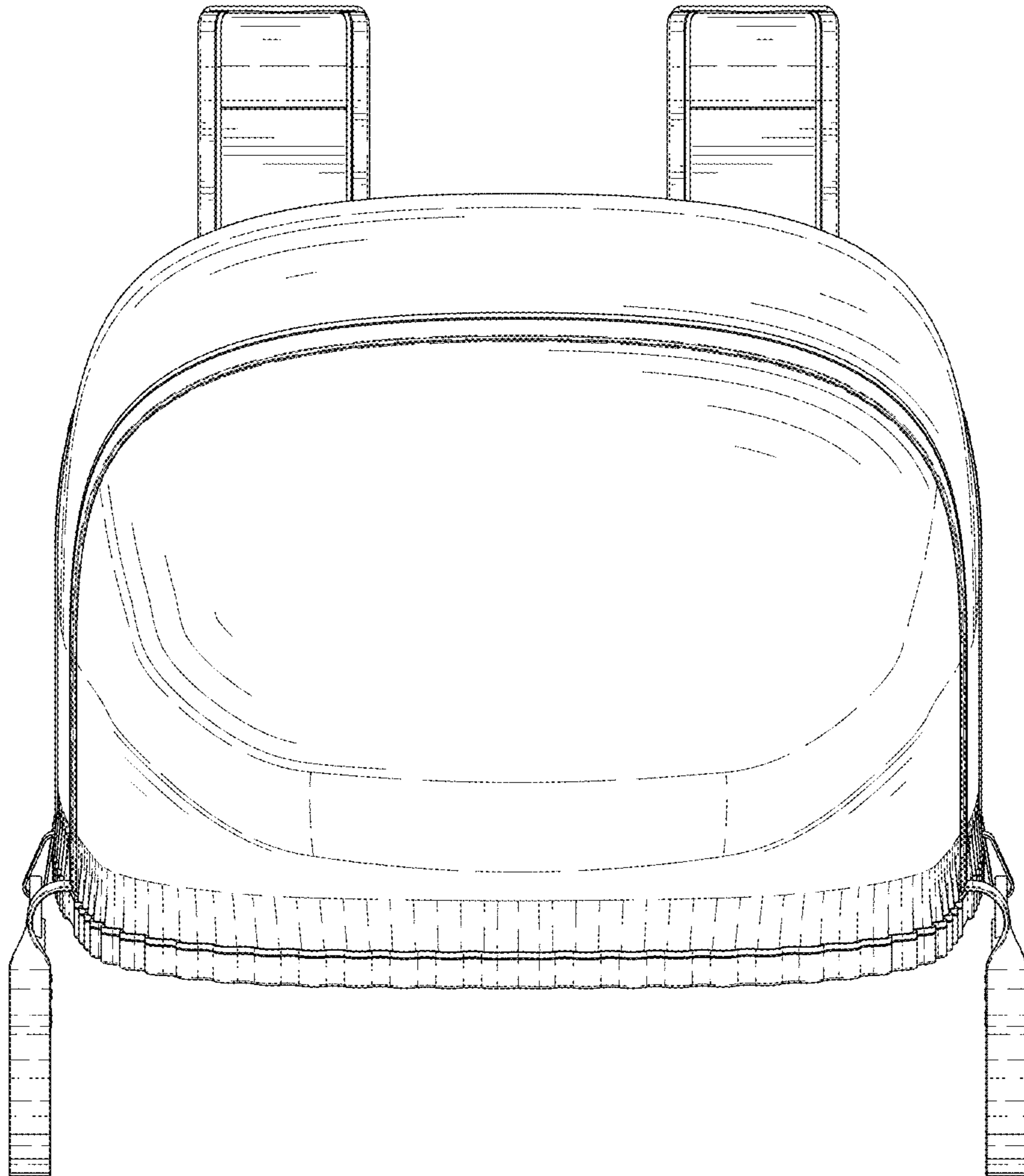


FIG. 5

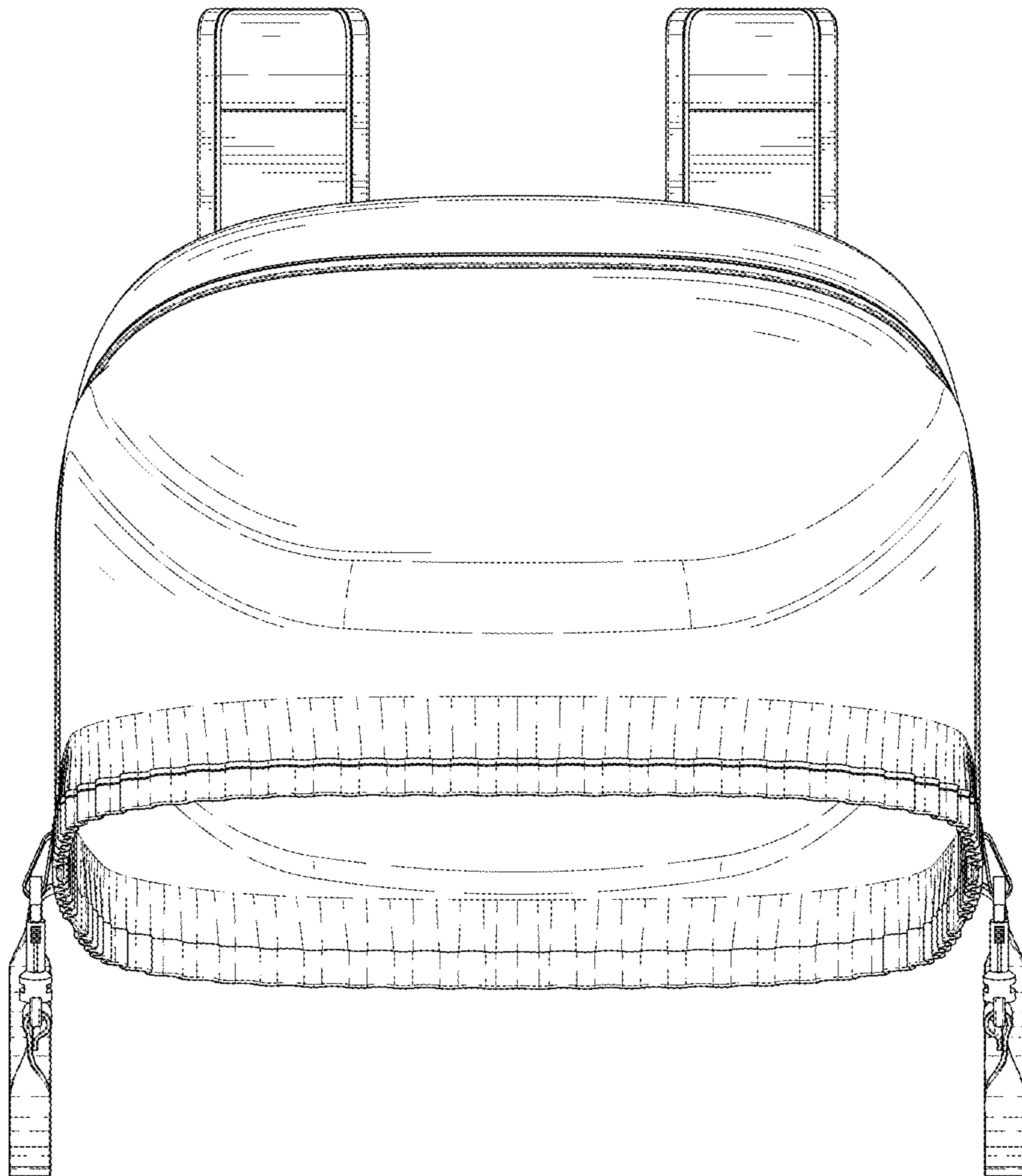


FIG. 6

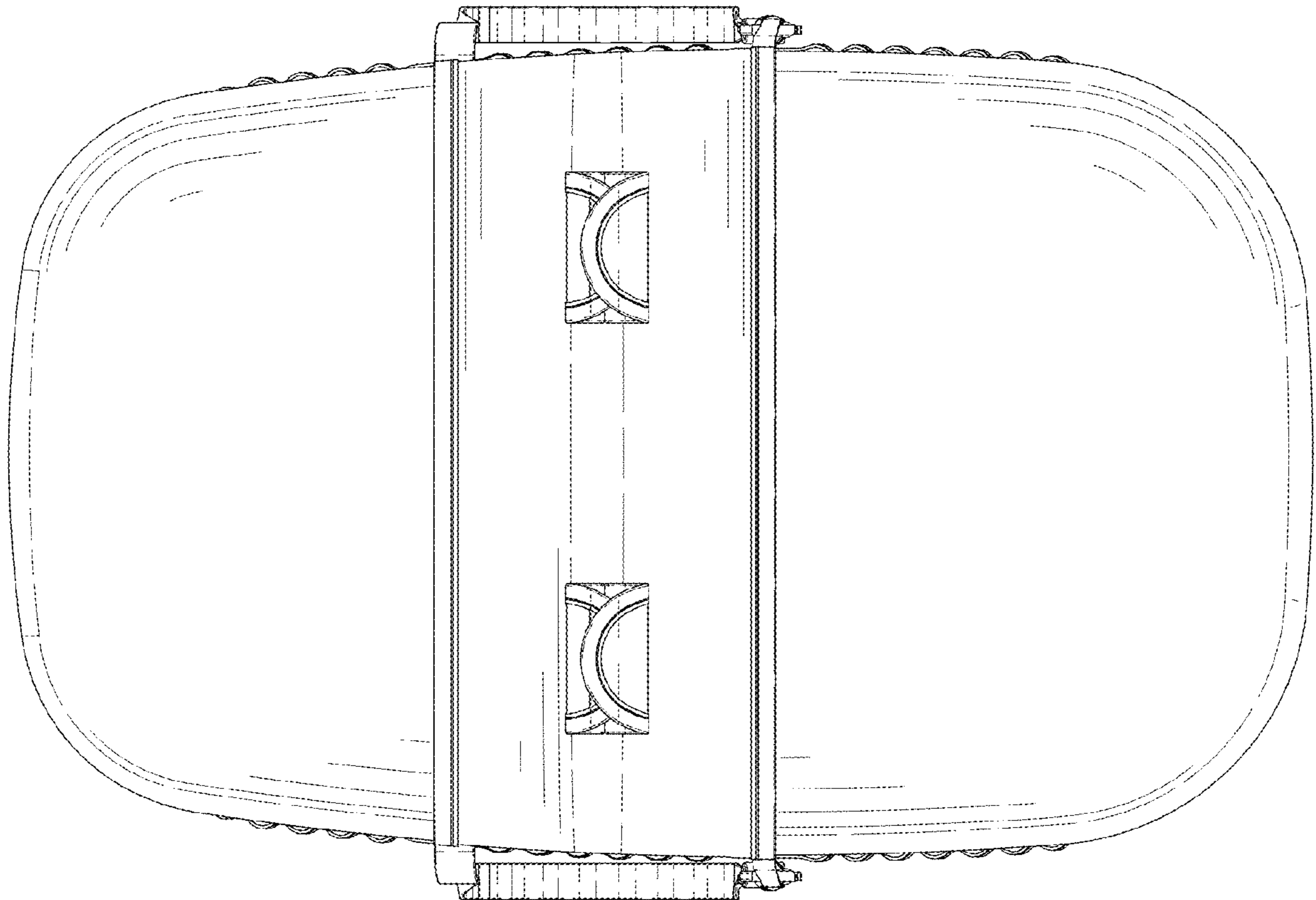


FIG. 7

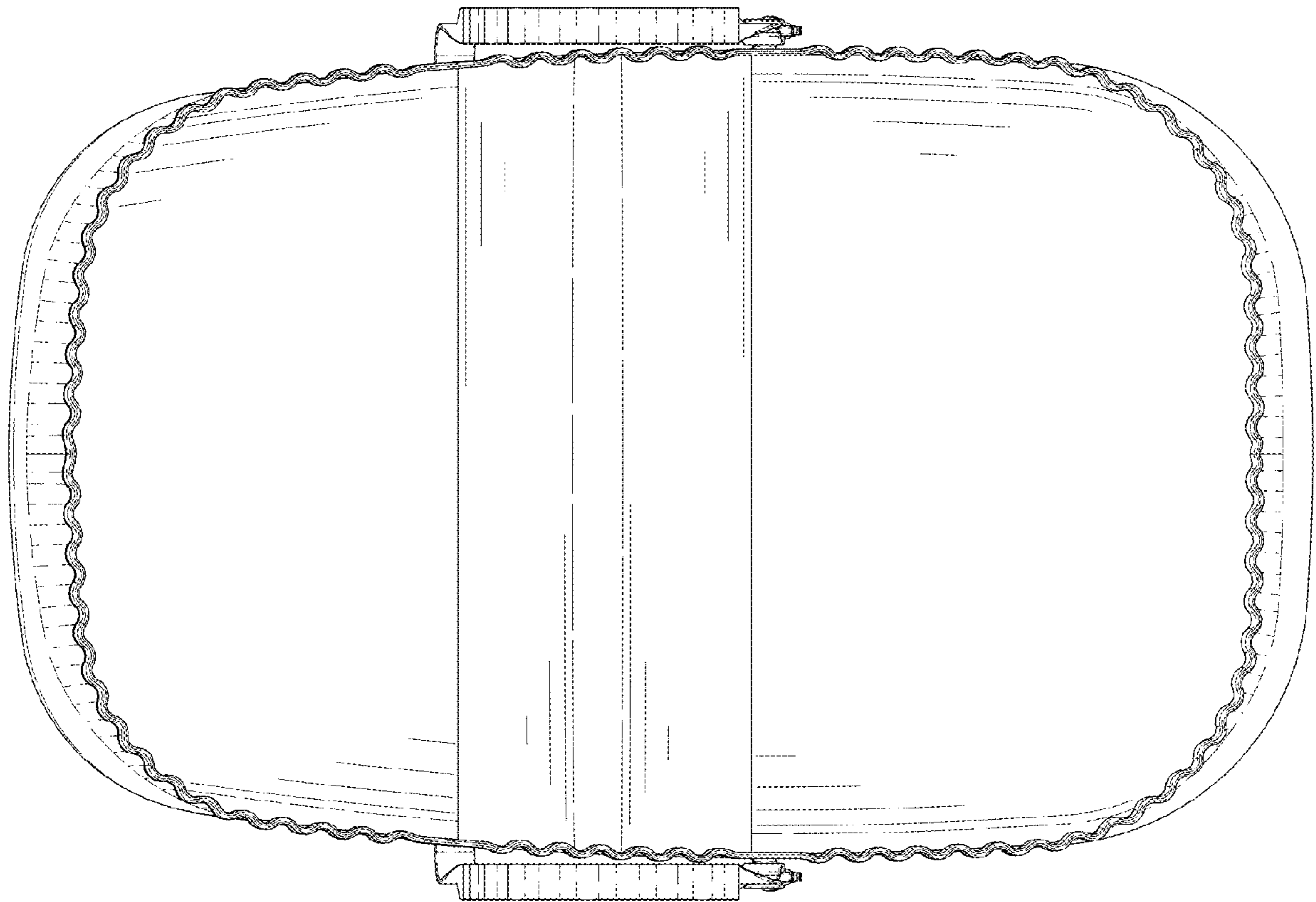


FIG. 8