

US00D966993S

(12) **United States Design Patent** (10) **Patent No.:** **US D966,993 S**
Davis, Jr. (45) **Date of Patent:** **** Oct. 18, 2022**

(54) **VEHICLE ROOF TOP TENT SHELL**

(71) Applicant: **Hotbodies Racing, Inc.**, Poway, CA (US)

(72) Inventor: **Roger George Lee Davis, Jr.**, Poway, CA (US)

(73) Assignee: **Hot Bodies Racing, Inc.**, Poway, CA (US)

(**) Term: **15 Years**

(21) Appl. No.: **29/775,667**

(22) Filed: **Mar. 24, 2021**

(51) **LOC (13) Cl.** **12-16**

(52) **U.S. Cl.**
USPC **D12/403**

(58) **Field of Classification Search**
USPC D12/401-405, 413, 181, 100-106, 111, D12/112, 156
CPC E04H 15/54; B60R 9/045
See application file for complete search history.

(56) **References Cited**

U.S. PATENT DOCUMENTS

D306,569 S *	3/1990	Walz	D12/401
D306,570 S *	3/1990	Lomonaco	D12/401
D808,886 S *	1/2018	Verachtert	D12/404
D820,192 S *	6/2018	Currid	D12/403
D829,154 S *	9/2018	Verachtert	D12/404
D829,155 S *	9/2018	Verachtert	D12/404
D829,156 S *	9/2018	Verachtert	D12/404

(Continued)

Primary Examiner — Susan E Krakower
Assistant Examiner — Jerry Shiuan-Hua Hsu
(74) *Attorney, Agent, or Firm* — Procopio Cory Hargreaves and Savitch LLP

(57) **CLAIM**

The ornamental design for a vehicle roof top tent shell, as shown and described.

DESCRIPTION

FIG. 1 is a perspective view of a first embodiment of the vehicle roof top tent shell shown on a vehicle.

FIG. 2 is a perspective view of the vehicle roof top tent shell. FIG. 3 is a front elevational view of the vehicle roof top tent shell.

FIG. 4 is a rear elevational view of the vehicle roof top tent shell.

FIG. 5 is a left side elevational view of the vehicle roof top tent shell.

FIG. 6 is a right side elevational view of the vehicle roof top tent shell.

FIG. 7 is a top plan view of the vehicle roof top tent shell.

FIG. 8 is a bottom plan view of the vehicle roof top tent shell.

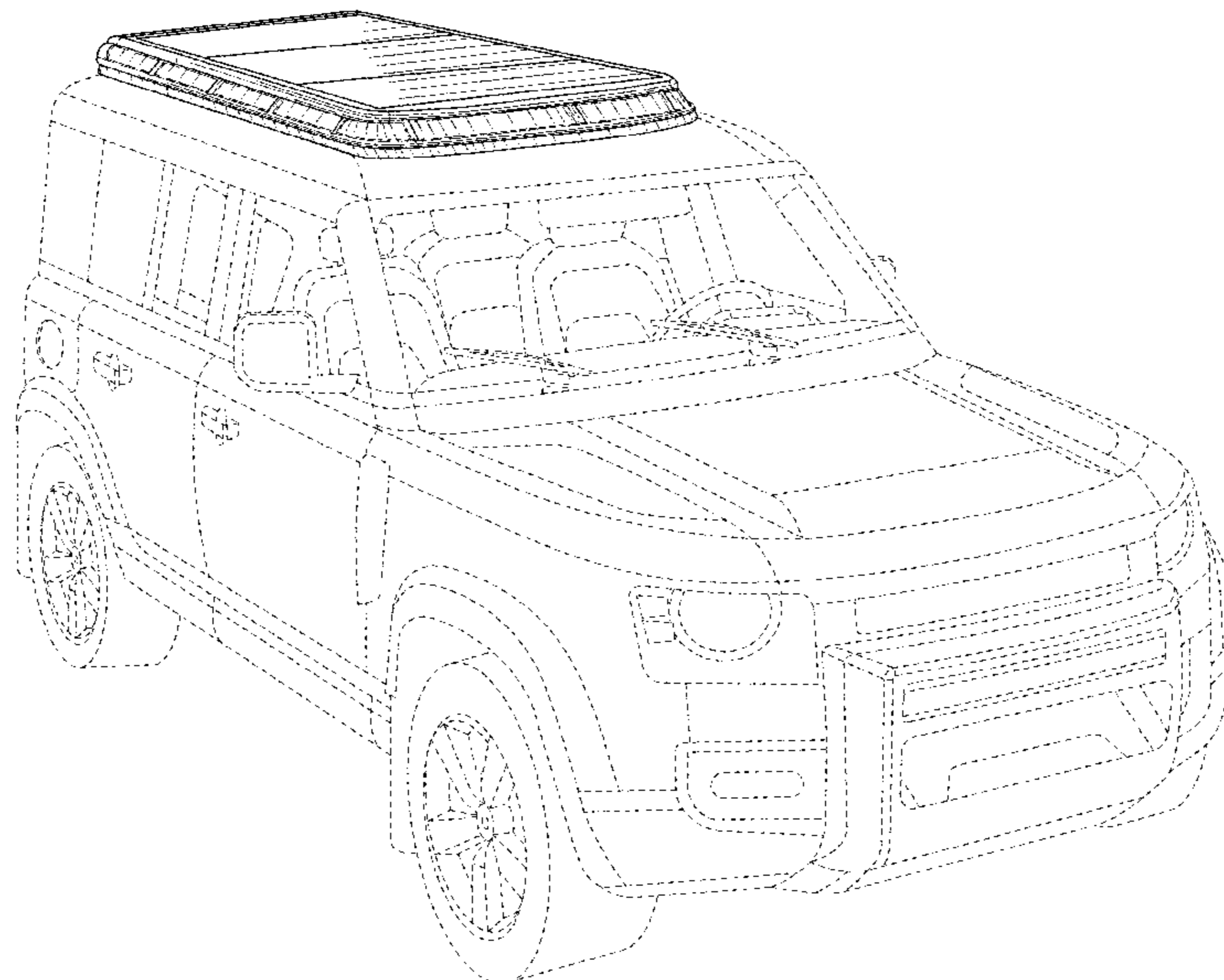
FIG. 9 is a top plan view of a second embodiment of the vehicle roof top tent shell, the front elevational view, the rear elevational view, the left side elevational view, the right side elevational view and the bottom plan view being the same as shown in FIGS. 3-6 and 8.

FIG. 10 is a top plan view of a third embodiment of the vehicle roof top tent shell, the front elevational view, the rear elevational view, the left side elevational view, the right side elevational view and the bottom plan view being the same as shown in FIGS. 3-6 and 8; and,

FIG. 11 is a top plan view of a fourth embodiment of the vehicle roof top tent shell, the front elevational view, the rear elevational view, the left side elevational view, the right side elevational view and the bottom plan view being the same as shown in FIGS. 3-6 and 8.

The broken lines illustrate portions of the vehicle roof top tent shell which form no part of the claimed design. The broken lines showing a vehicle in FIG. 1 depicts environmental structure which forms no part of the claimed design.

1 Claim, 9 Drawing Sheets



(56)

References Cited

U.S. PATENT DOCUMENTS

10,077,574	B1 *	9/2018	Currid	B60R 9/045
D829,635	S *	10/2018	Verachtert	D12/404
D859,285	S *	9/2019	Terpin	D12/413
D928,693	S *	8/2021	Lettl	D12/401
11,105,112	B2 *	8/2021	Montesalvo	E04H 15/54
D936,521	S *	11/2021	Zhang	D12/103
D951,848	S *	5/2022	Gozzi	D12/401

* cited by examiner

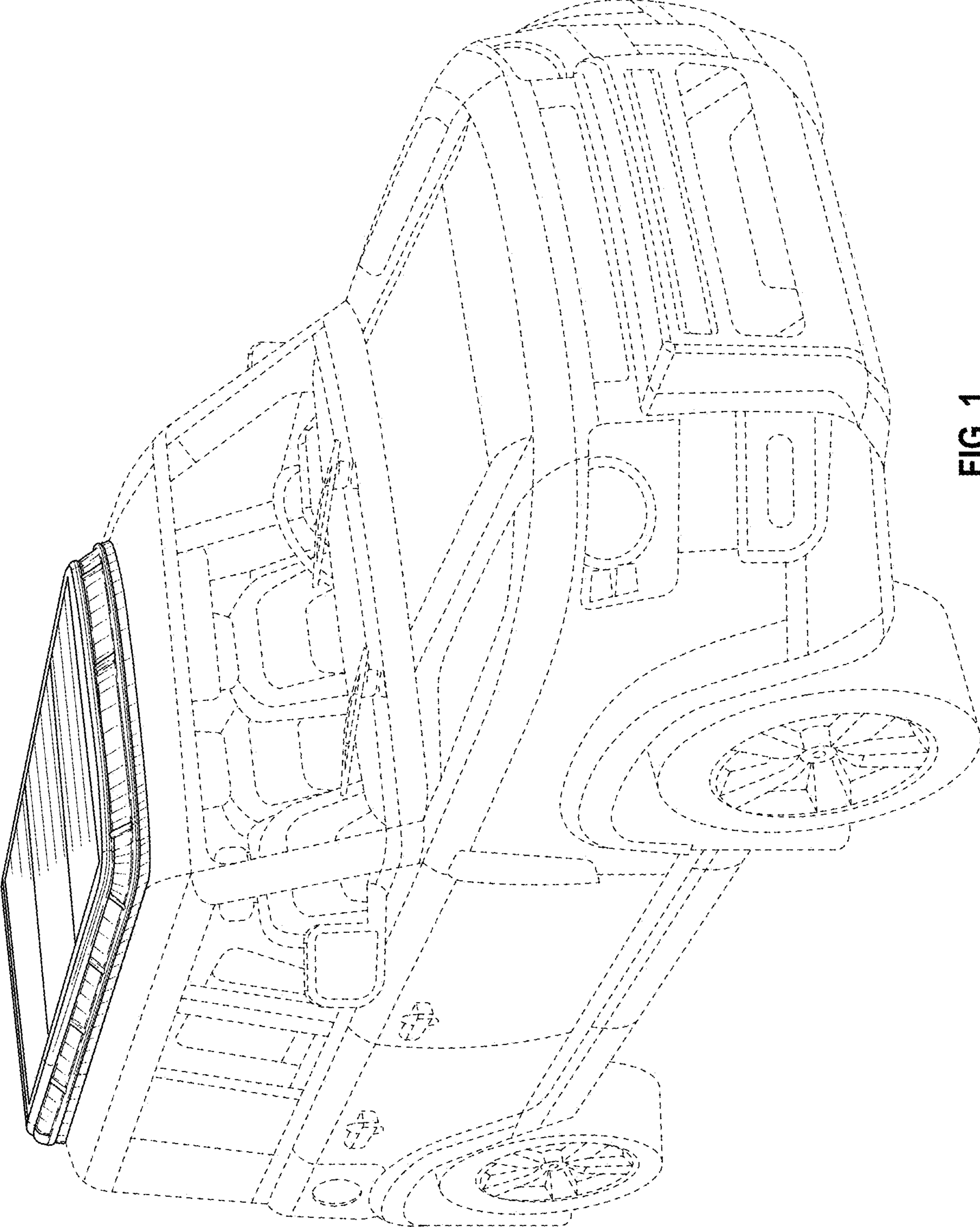


FIG. 1

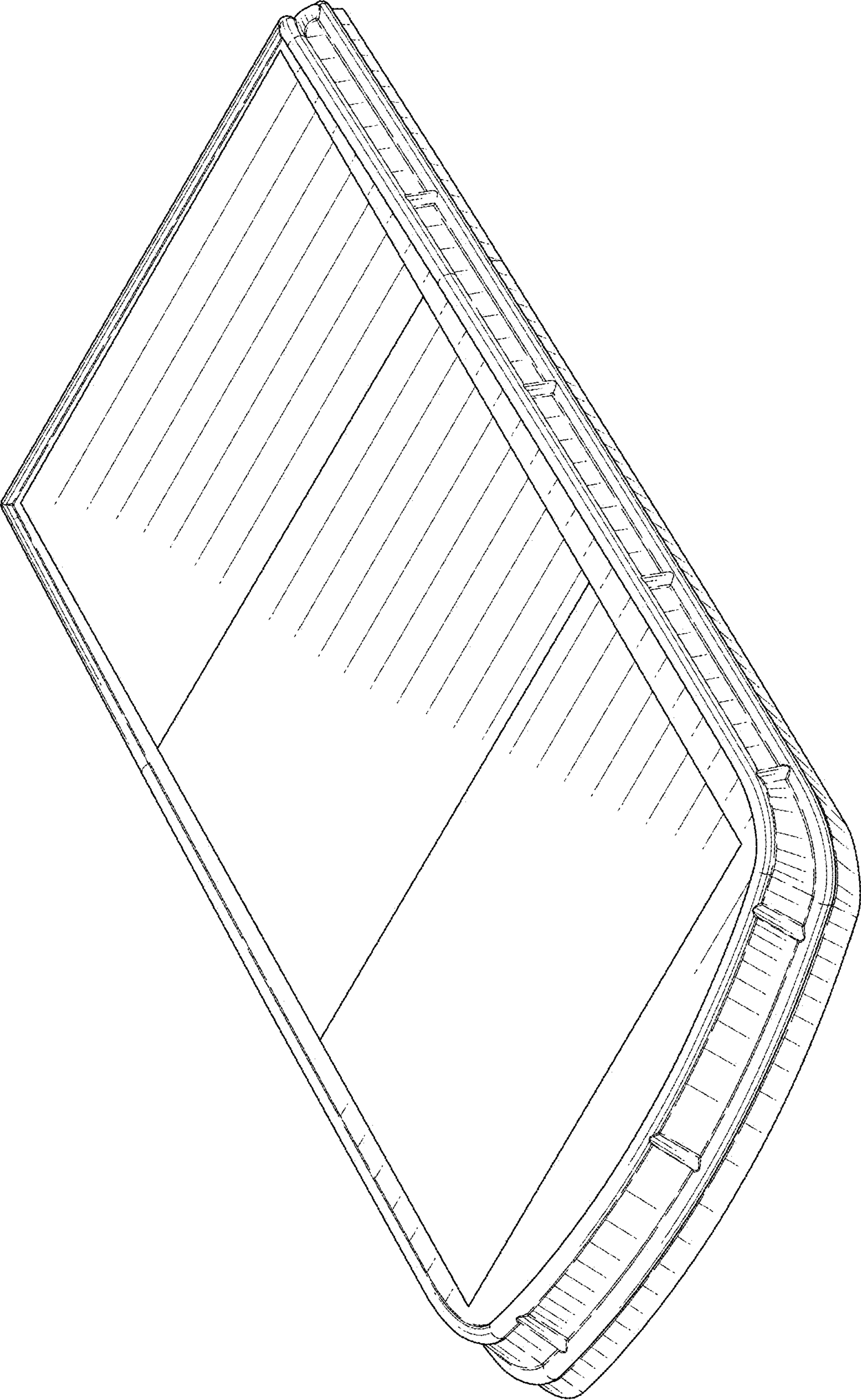


FIG. 2

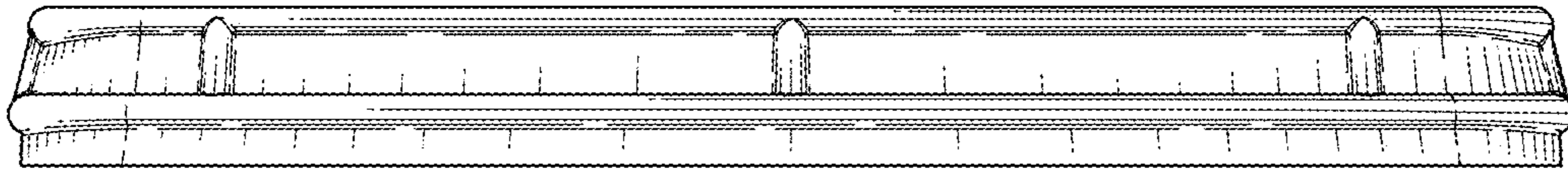


FIG. 3

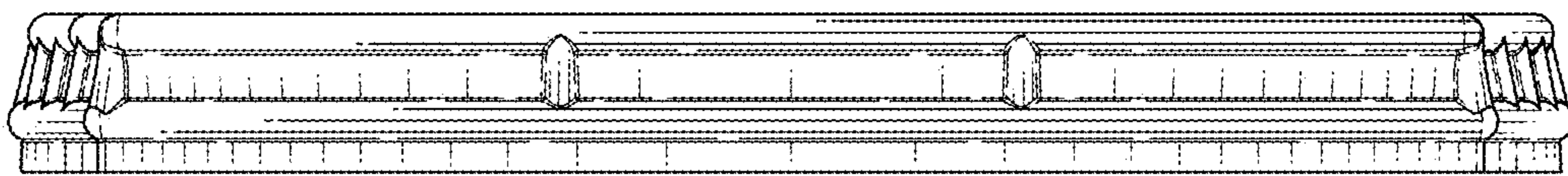


FIG. 4

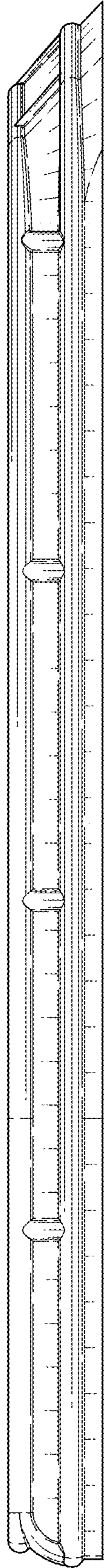


FIG. 5

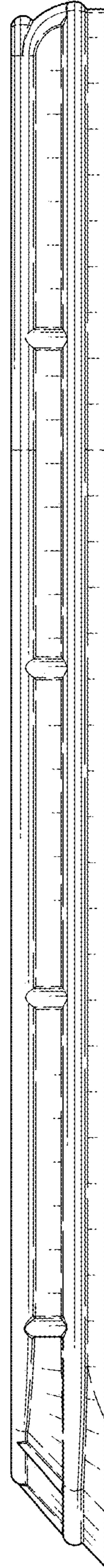


FIG. 6

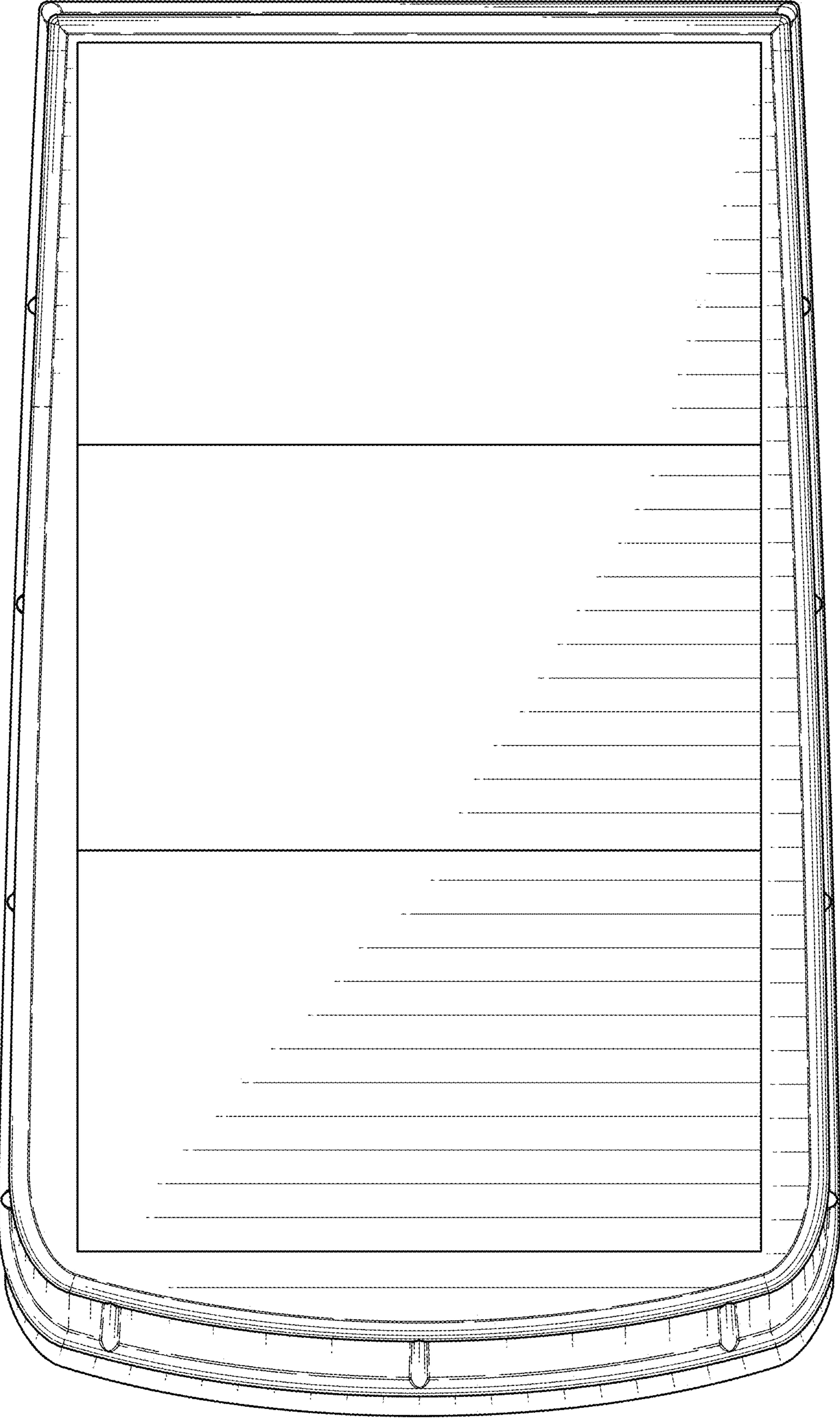


FIG. 7

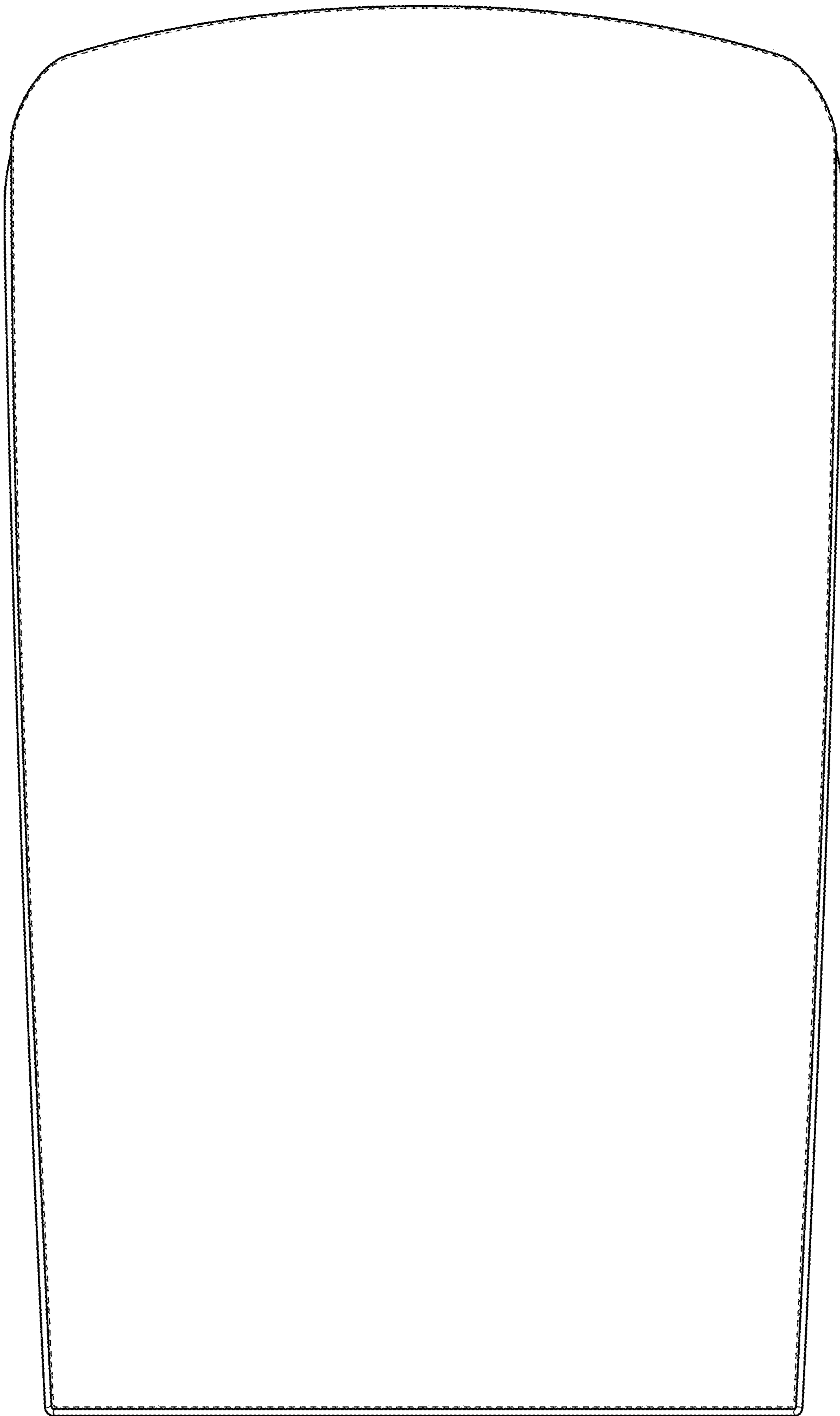


FIG. 8

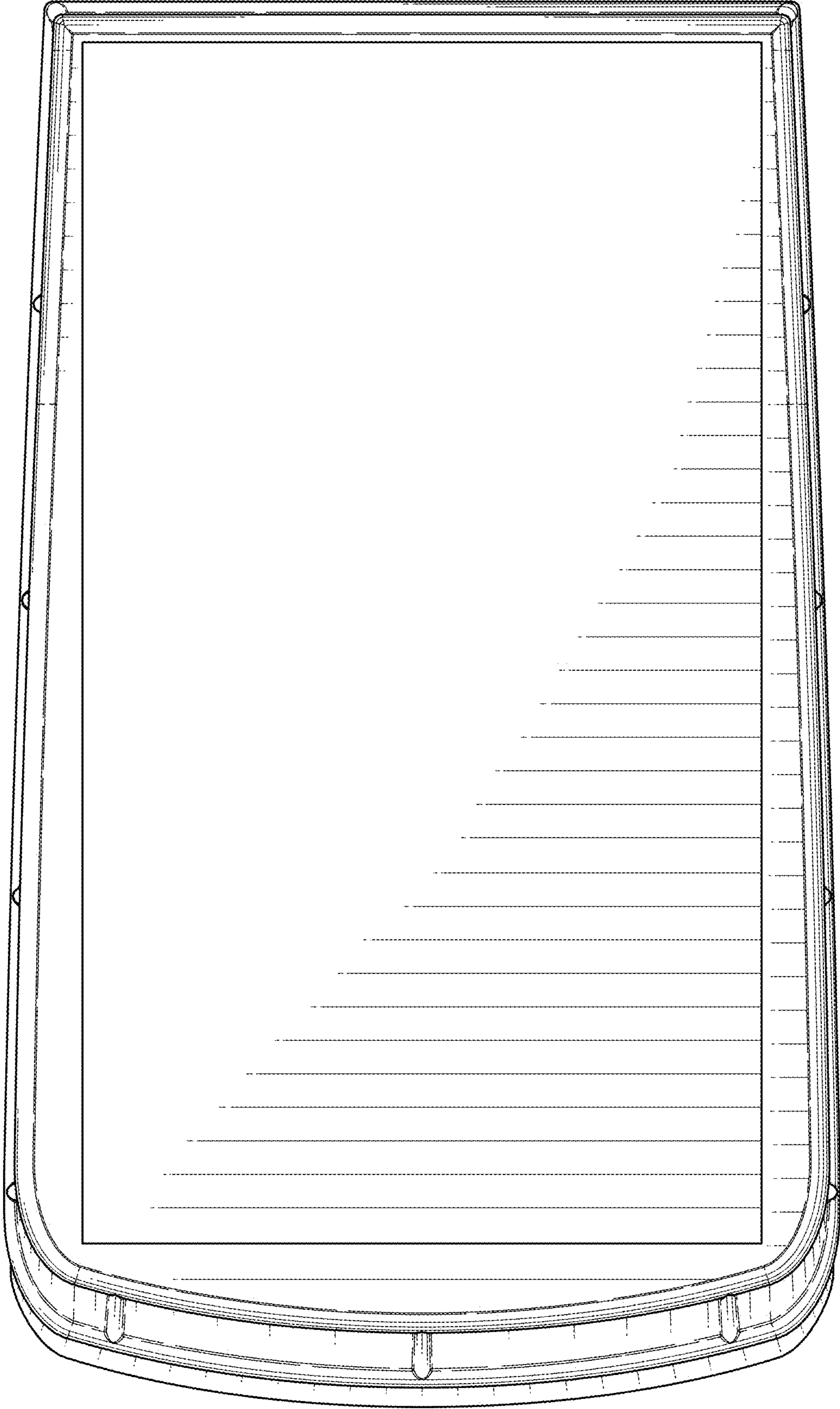


FIG. 9

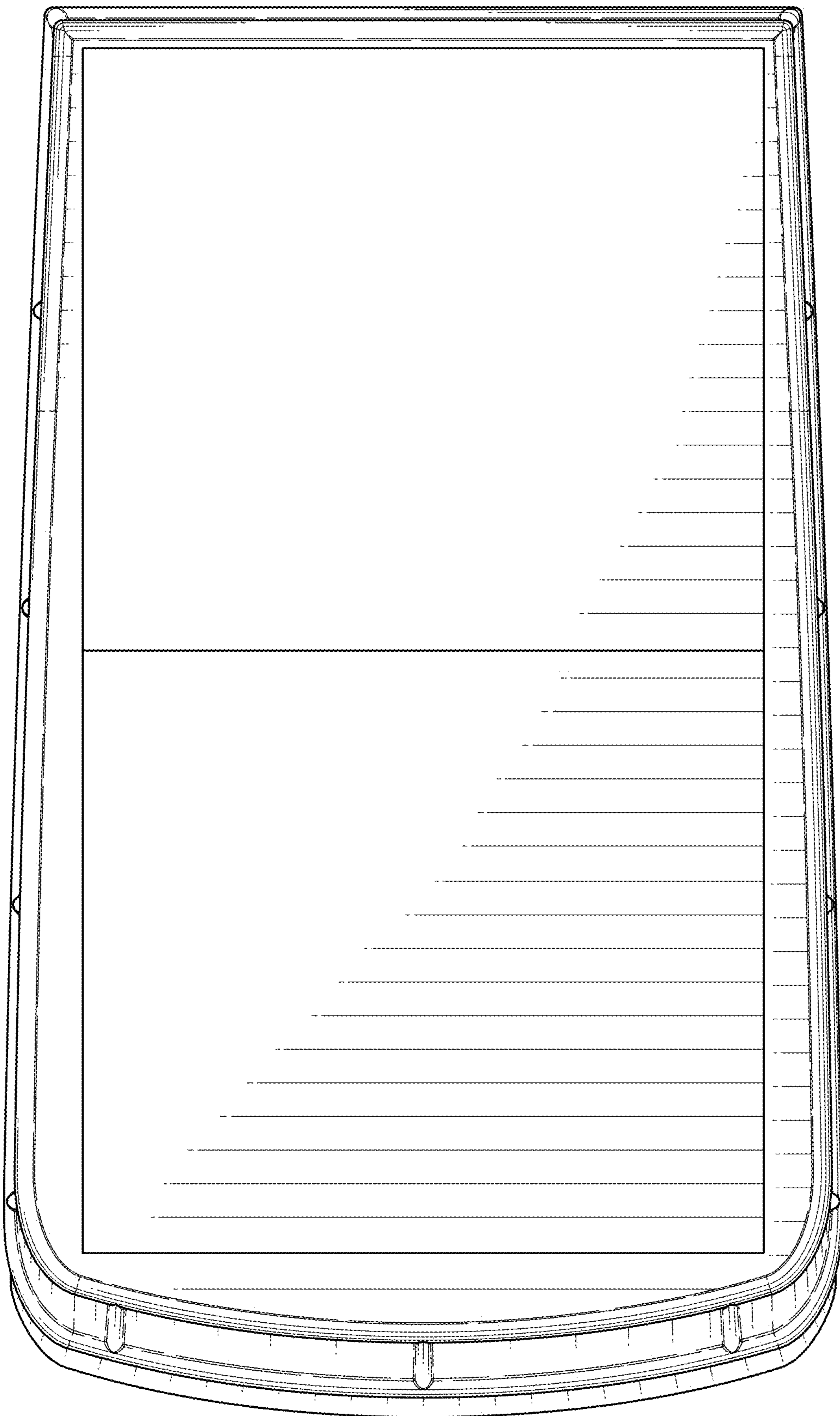


FIG. 10

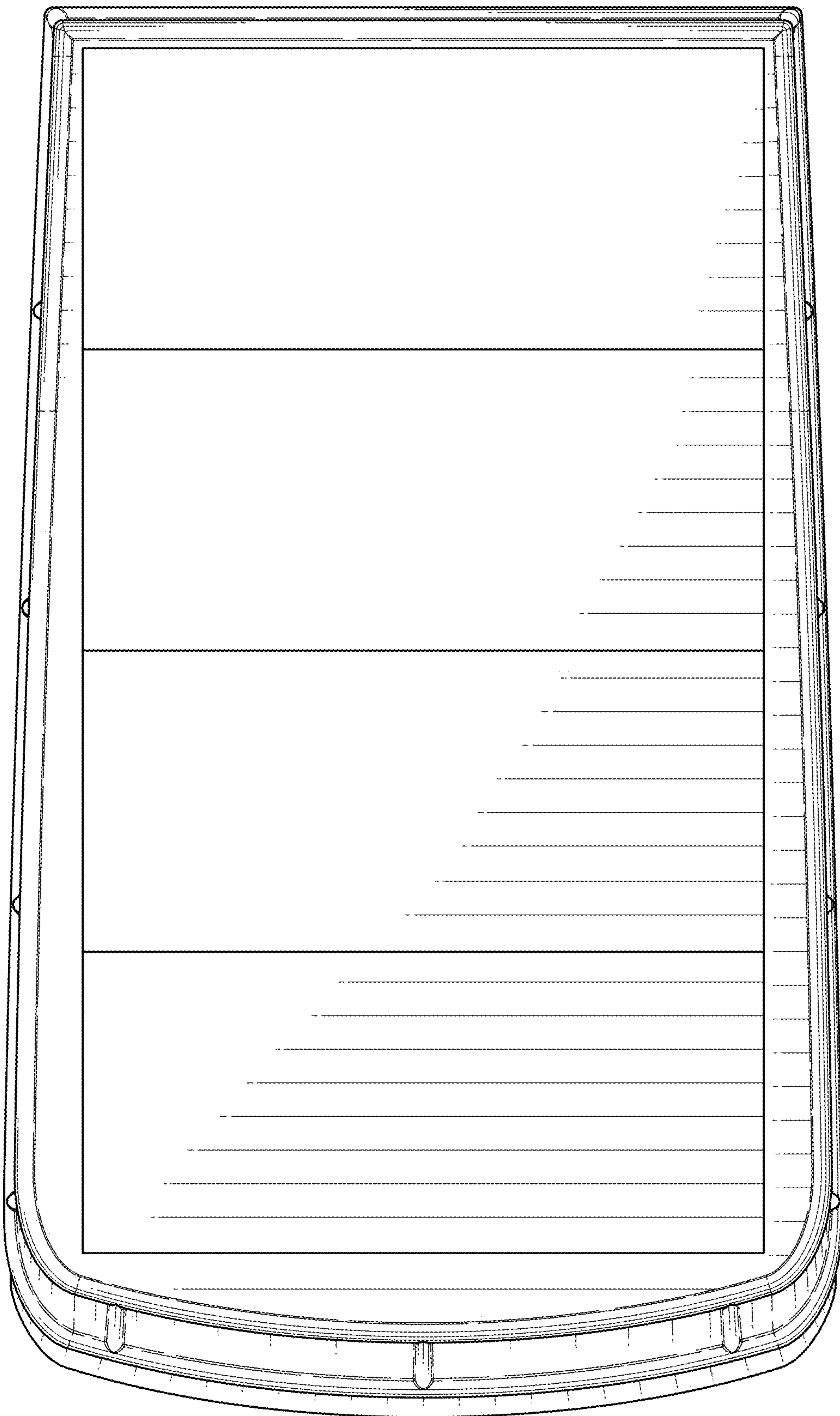


FIG. 11