

US00D966991S

(12) **United States Design Patent** (10) **Patent No.:** **US D966,991 S**  
**Omran et al.** (45) **Date of Patent:** **\*\* Oct. 18, 2022**

(54) **WHEEL CHOCK**  
(71) Applicants: **Taryn Omran**, Denver, CO (US); **Shai Omran**, Denver, CO (US)  
(72) Inventors: **Taryn Omran**, Denver, CO (US); **Shai Omran**, Denver, CO (US)

D321,498 S \* 11/1991 Jones ..... D30/129  
5,090,517 A 2/1992 Doughty  
5,210,903 A 5/1993 Horning  
5,383,639 A 1/1995 Byard  
5,456,336 A 10/1995 Bopp  
5,465,986 A 11/1995 MacRae  
(Continued)

(\*\*) Term: **15 Years**

**FOREIGN PATENT DOCUMENTS**

(21) Appl. No.: **29/746,532**

WO 1998046469 A1 10/1998

(22) Filed: **Aug. 14, 2020**

**OTHER PUBLICATIONS**

(51) **LOC (13) Cl.** ..... **12-16**

Hoxwell 2pcs Wheel Dock, availble in amazon.com, date first available [Jul. 5, 2021], site visited [May 27, 2022], Available from internet, URL:https://www.amazon.com/HOXWELL-Durable-Trailer-Stopper-Transport/dp (Year: 2021).\*

(52) **U.S. Cl.**

USPC ..... **D12/217**

(58) **Field of Classification Search**

USPC ..... D8/217, 400, 406; D12/214, 215, 217, D12/223; D34/31, 34

CPC ..... B60T 3/00; B60P 3/077; B65G 69/005; B64F 1/16; B61D 45/001; B61D 3/188

See application file for complete search history.

(Continued)

*Primary Examiner* — Marissa J Cash

*Assistant Examiner* — Pravin Giri

(74) *Attorney, Agent, or Firm* — Elevated IP, LLC

(56) **References Cited**

(57) **CLAIM**

**U.S. PATENT DOCUMENTS**

The ornamental design for a wheel chock, as shown and described.

- 1,861,095 A \* 5/1932 Schacht ..... A47B 91/12 248/346.11
- 2,844,909 A \* 7/1958 Perchinsky ..... A47B 91/12 248/346.11
- 2,915,850 A \* 12/1959 Goodfellow ..... A47B 91/12 248/346.11
- 3,217,839 A 11/1965 Watkins et al.
- 3,391,760 A \* 7/1968 Gonser ..... B60T 3/00 188/32
- 3,495,688 A 2/1970 Isaacks
- 3,695,071 A 10/1972 West
- 3,831,209 A \* 8/1974 Clingman ..... A47K 3/001 248/346.11
- D283,022 S \* 3/1986 Cameron ..... D12/217
- 4,609,075 A 9/1986 Snedeker
- 5,046,587 A \* 9/1991 Jones ..... B60T 3/00 248/346.11

**DESCRIPTION**

FIG. 1 is a top perspective view of an ornamental design for a wheel chock;

FIG. 2 is a front plan view thereof;

FIG. 3 is a back plan view thereof;

FIG. 4 is a right side view thereof;

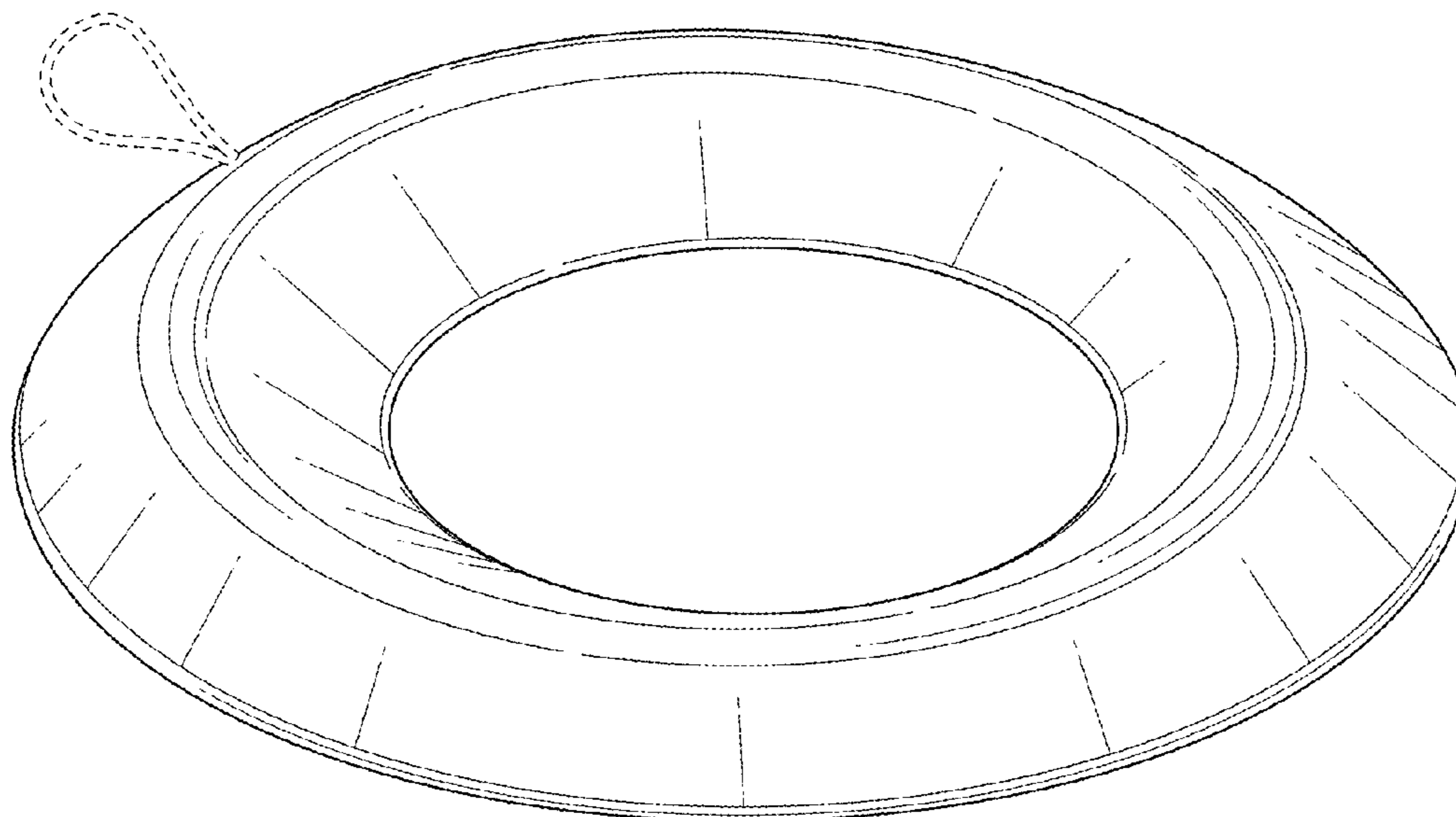
FIG. 5 is a left side view thereof;

FIG. 6 is a top plan view thereof; and,

FIG. 7 is a bottom plan view thereof.

The broken lines are for purposes of illustrating environmental structure and form no part of the claimed design.

**1 Claim, 5 Drawing Sheets**



(56)

References Cited

U.S. PATENT DOCUMENTS

D365,078 S \* 12/1995 Ziaylek ..... D12/217  
 5,513,727 A 5/1996 Belanger  
 5,630,600 A 5/1997 Pasillas  
 5,687,516 A 11/1997 Sheehan et al.  
 5,855,359 A \* 1/1999 Chipperfield ..... B66F 7/065  
 254/122  
 D439,720 S \* 3/2001 Lemon ..... D34/27  
 6,199,878 B1 3/2001 Masserant et al.  
 D444,441 S \* 7/2001 Bennett, Jr. .... D12/217  
 6,742,752 B1 6/2004 Fenyves et al.  
 7,395,902 B2 7/2008 D'Arca et al.  
 D612,564 S 3/2010 Comley  
 8,127,389 B1 3/2012 Hannam  
 D660,136 S \* 5/2012 Jarowenko ..... D8/374  
 8,678,335 B2 \* 3/2014 Barja ..... A47B 91/12  
 248/346.11  
 D728,353 S \* 5/2015 Sharratt ..... D8/374  
 9,566,926 B1 2/2017 Dubas  
 9,586,562 B1 \* 3/2017 Noonan ..... B60T 3/00  
 9,717,336 B1 \* 8/2017 Apple ..... A47C 3/04  
 10,035,499 B2 7/2018 Lovelady  
 D837,910 S \* 1/2019 Norcross ..... D30/129  
 D838,173 S \* 1/2019 Holmes ..... D9/454  
 D851,488 S \* 6/2019 Tartock ..... D9/454  
 D863,947 S \* 10/2019 Krake ..... D8/402  
 D879,599 S \* 3/2020 Cantwell ..... D8/402  
 D953,233 S \* 5/2022 Liang ..... D12/217  
 2001/0050260 A1 12/2001 Graham  
 2005/0034934 A1 2/2005 Horton

2005/0082775 A1 4/2005 Slager  
 2005/0189463 A1 9/2005 Fenyves et al.  
 2012/0118680 A1 5/2012 Giglio  
 2013/0223048 A1 8/2013 Jeong  
 2014/0014445 A1 1/2014 Talynn  
 2015/0175187 A1 \* 6/2015 Hocker ..... B62B 5/049  
 188/32  
 2015/0369420 A1 12/2015 Poynter  
 2018/0162329 A1 6/2018 Grosz  
 2021/0046908 A1 \* 2/2021 Omran ..... B60T 3/00  
 2021/0291718 A1 9/2021 Thompson  
 2022/0118956 A1 4/2022 LaMar et al.

OTHER PUBLICATIONS

Cameo Heavy Duty Wheel Dock, available in amazon.com, date first available [Sep. 14, 2005], site visited [May 27, 2022], Available from internet, URL:<https://www.amazon.com/Camco-Heavy-Duty-Wheel> (Year: 2005).  
 Screen capture from [www.chainstoreage.com/news/self-braking-shopping-cart](http://www.chainstoreage.com/news/self-braking-shopping-cart), accessed Aug. 10, 2020.  
 Screen capture from [www.ebay.com/itm/Cart-Stay-Shopping-Cart-Safety-Device-FREE-SHIPPING-in-U-S-Lifetime-Warranty/152683967026?hash=item238cac7232:g:6Q8AAOSwXvNZpvkR](http://www.ebay.com/itm/Cart-Stay-Shopping-Cart-Safety-Device-FREE-SHIPPING-in-U-S-Lifetime-Warranty/152683967026?hash=item238cac7232:g:6Q8AAOSwXvNZpvkR), accessed Aug. 10, 2020.  
 Screen capture from [www.rockinmama.net/stop-those-runaway-carts-with-the-cart-stopper/](http://www.rockinmama.net/stop-those-runaway-carts-with-the-cart-stopper/), accessed Aug. 10, 2020.  
 Screen capture from [www.shoppingcartstopper.com](http://www.shoppingcartstopper.com), accessed Aug. 10, 2020.

\* cited by examiner

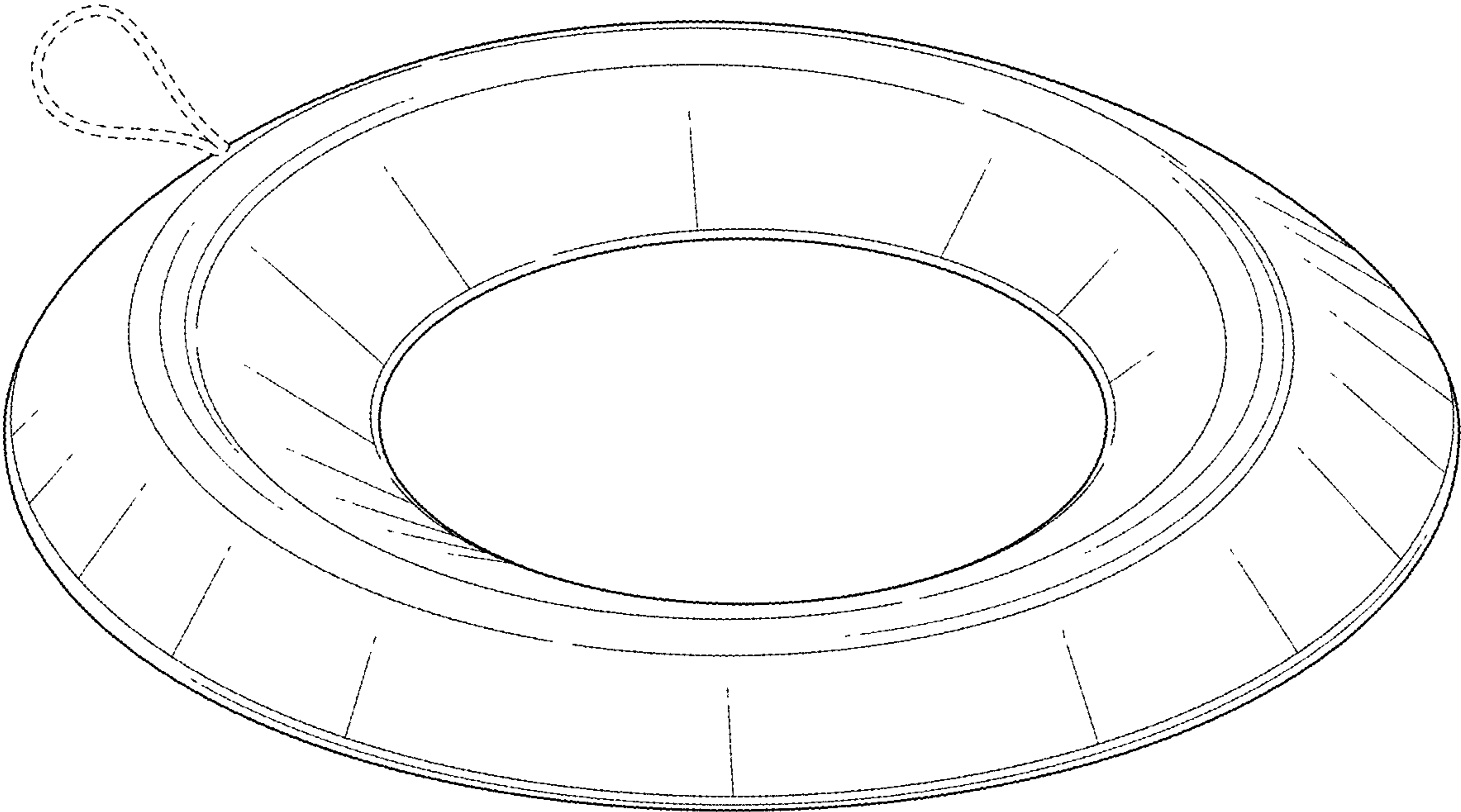


FIG. 1

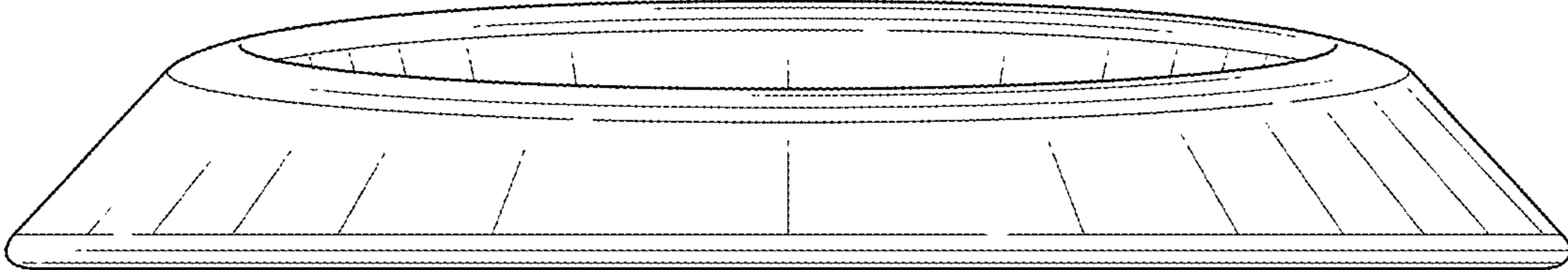


FIG. 2

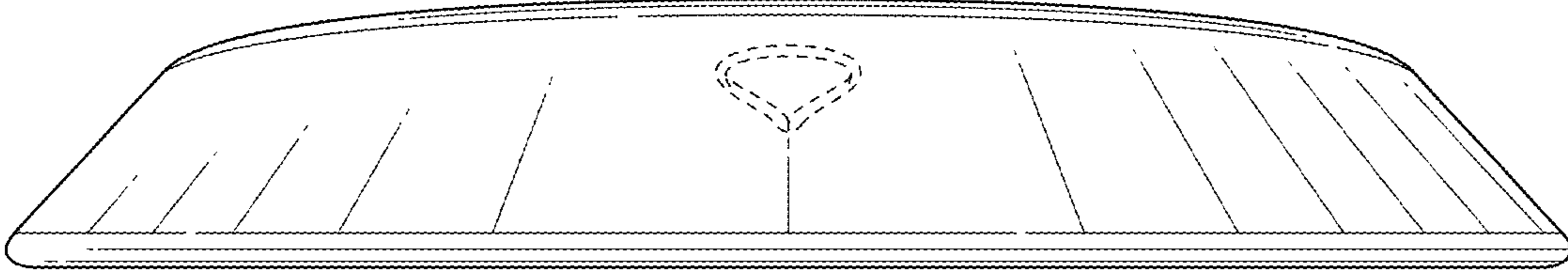


FIG. 3

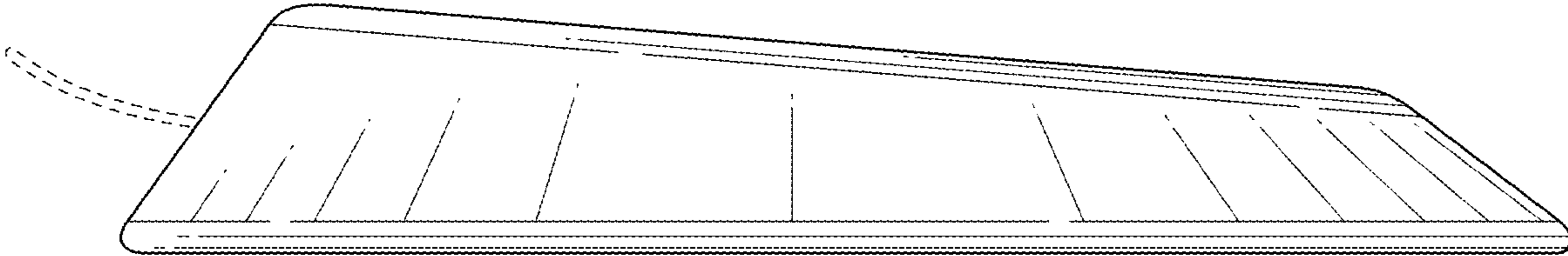


FIG. 4

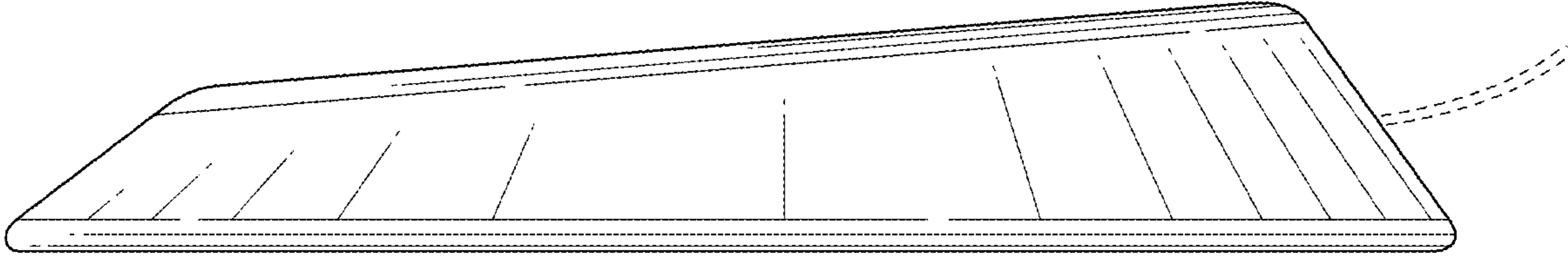


FIG. 5

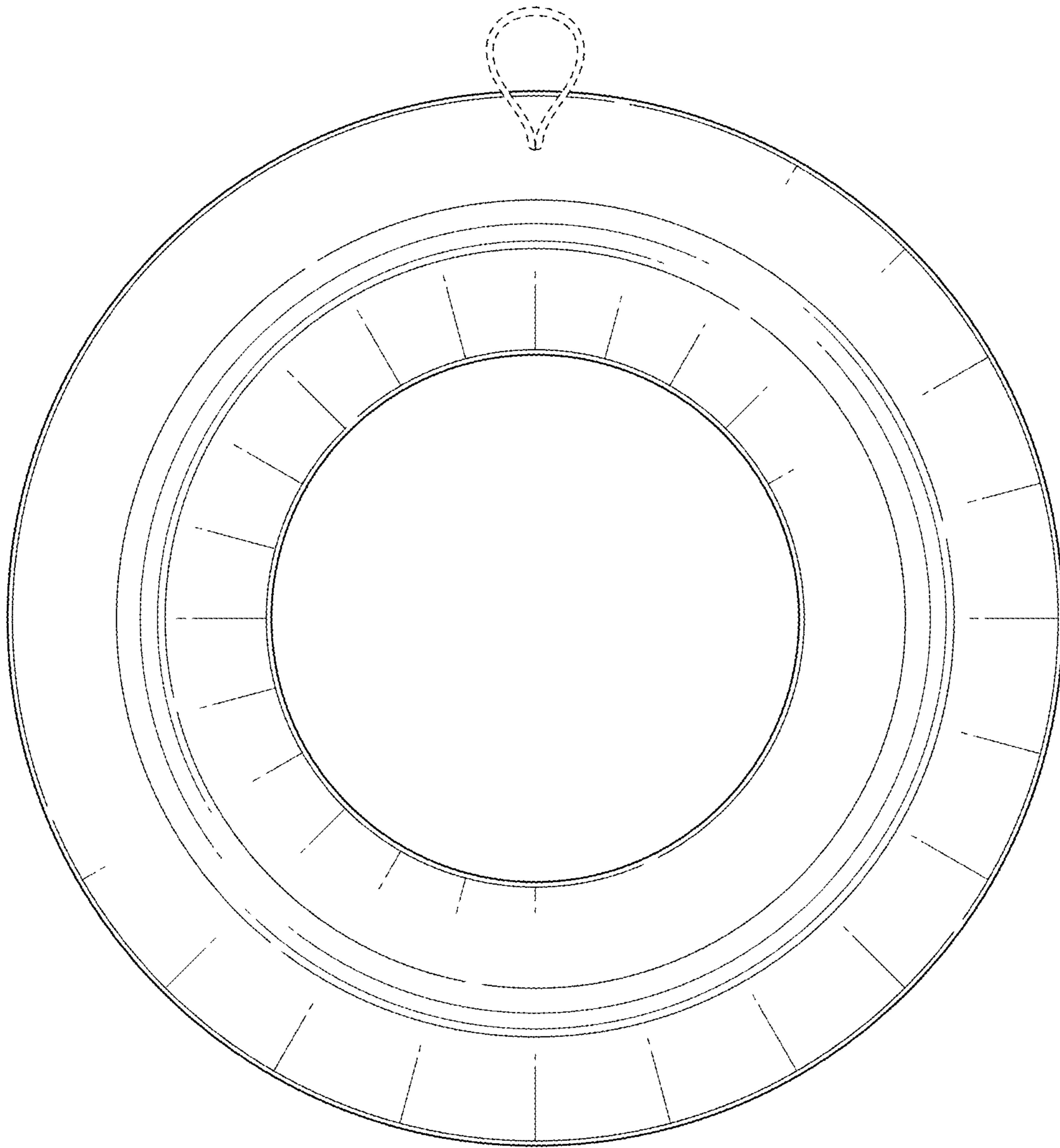


FIG. 6

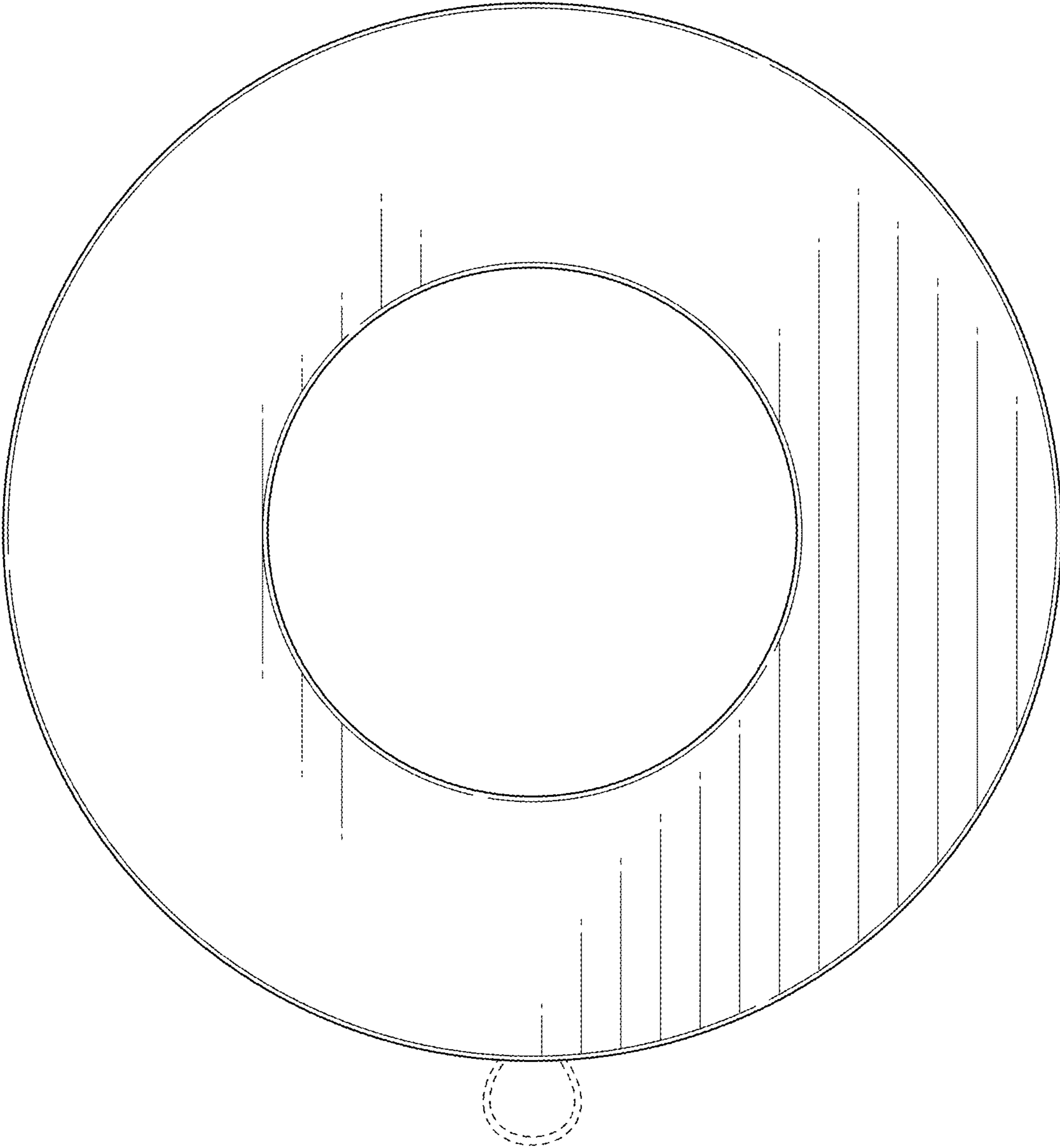


FIG. 7