

US00D966990S

(12) **United States Design Patent** (10) **Patent No.:** **US D966,990 S**
Lickliter (45) **Date of Patent:** **** Oct. 18, 2022**

(54) **CAP**
(71) Applicant: **Wheel Pros, LLC**, Greenwood Village, CO (US)
(72) Inventor: **Hans Lickliter**, Canyon Country, CA (US)
(73) Assignee: **Wheel Pros, LLC**, Greenwood Vlg, CO (US)
(**) Term: **15 Years**
(21) Appl. No.: **29/729,817**
(22) Filed: **Mar. 30, 2020**
(51) **LOC (13) Cl.** **12-16**
(52) **U.S. Cl.**
USPC **D12/213**
(58) **Field of Classification Search**
USPC D12/114, 115, 204–215, 217, 223;
D21/563
CPC B60B 3/02; B60B 3/10; B60B 1/08; B60B 2900/311; B60B 3/06; B60B 1/06; B60B 1/14; B60B 3/041; B60B 7/02; B60B 1/00; B60B 1/10
See application file for complete search history.

D651,150 S 12/2011 Blewer
D651,151 S 12/2011 Blewer
D662,869 S * 7/2012 Ballard D12/213
D682,762 S 5/2013 Hale, Jr.
D702,174 S * 4/2014 Gordon D12/213
D714,205 S 9/2014 Hale, Jr.
D715,211 S 10/2014 Gotschke
D749,482 S 2/2016 Schroeder
9,266,386 B2 2/2016 Wang
D791,667 S 7/2017 Prasad
D799,393 S 10/2017 Caldwell
D803,137 S * 11/2017 Platto D12/213
D807,805 S 1/2018 Caldwell
D808,876 S 1/2018 Caldwell
D831,554 S 10/2018 Caldwell
D838,228 S 1/2019 Chung
D860,905 S 9/2019 Tran
D871,999 S 1/2020 Hale, Jr.
D904,965 S * 12/2020 Horlick D12/213
D911,246 S * 2/2021 Lickliter D12/213
D918,700 S 5/2021 Ricehouse
D918,701 S 5/2021 Ricehouse
D926,660 S 8/2021 Ricehouse
D937,744 S * 12/2021 Lickliter D12/213
D937,745 S * 12/2021 Lickliter D12/213

(Continued)

Primary Examiner — Marissa J Cash
Assistant Examiner — Pravin Giri
(74) *Attorney, Agent, or Firm* — Eric Hanscom

(56) **References Cited**

U.S. PATENT DOCUMENTS

5,676,430 A 10/1997 Wright
D462,043 S * 8/2002 Choi D12/213
D498,198 S * 11/2004 Buma D12/213
D535,601 S 1/2007 Beigel
D536,726 S 3/2007 Wright
D538,727 S 3/2007 Wright
D583,290 S 12/2008 Wang
D585,801 S 2/2009 Wang
D627,697 S 11/2010 Wang
D629,731 S * 12/2010 Wang D12/207

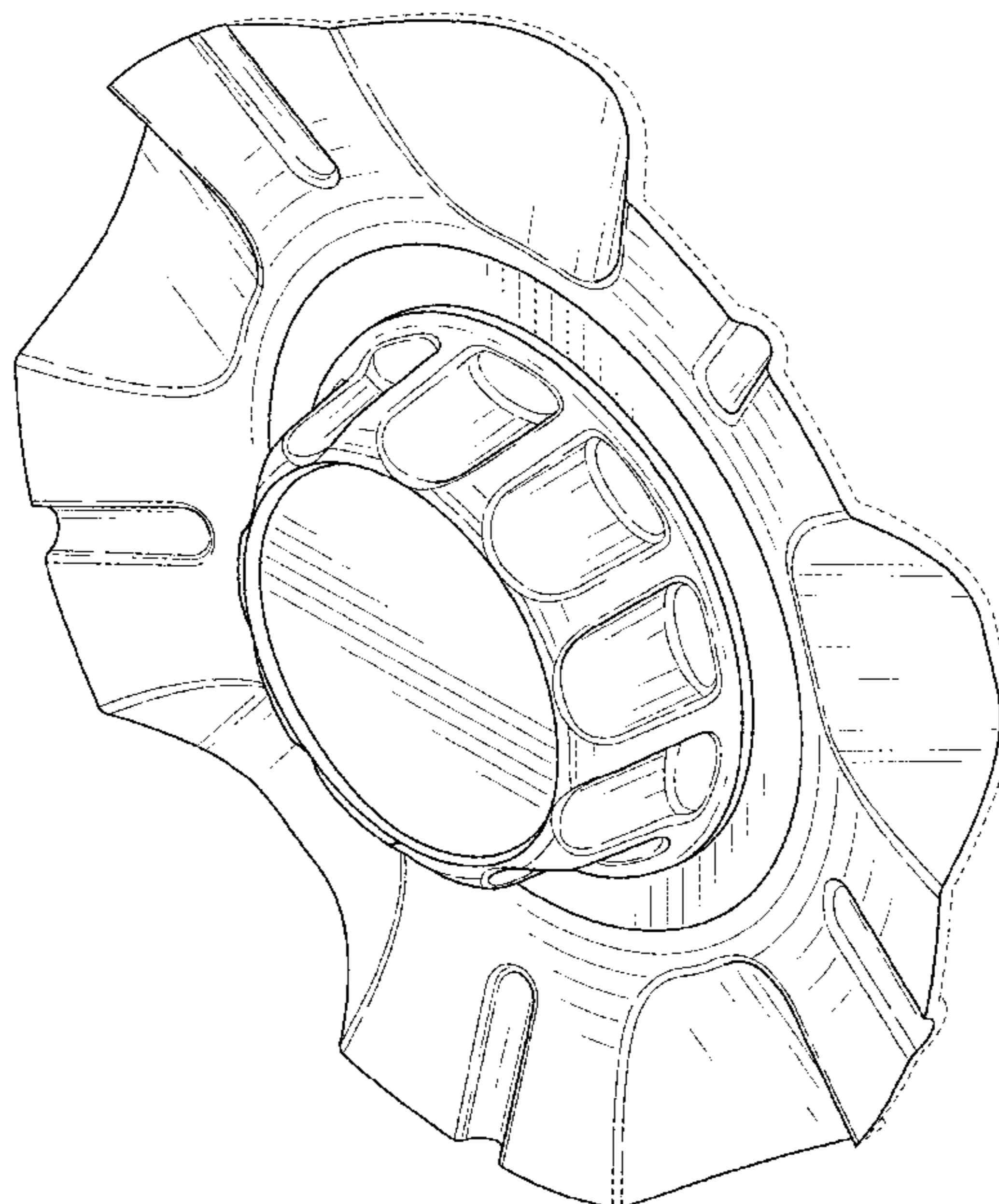
(57) **CLAIM**

The ornamental design for a cap, as shown and described.

DESCRIPTION

FIG. 1 is a perspective view of a cap showing my new design; and,
FIG. 2 is a front view thereof.
In the drawings, broken lines shown in the drawings depict environmental subject matter only and form no part of the claimed design.

1 Claim, 2 Drawing Sheets



(56)

References Cited

U.S. PATENT DOCUMENTS

D941,222	S	*	1/2022	Milani	D12/213
D941,223	S	*	1/2022	Milani	D12/213
D941,735	S	*	1/2022	Milani	D12/213
D949,083	S	*	4/2022	Jansen	D12/213
D951,845	S	*	5/2022	Lopez	D12/213

* cited by examiner

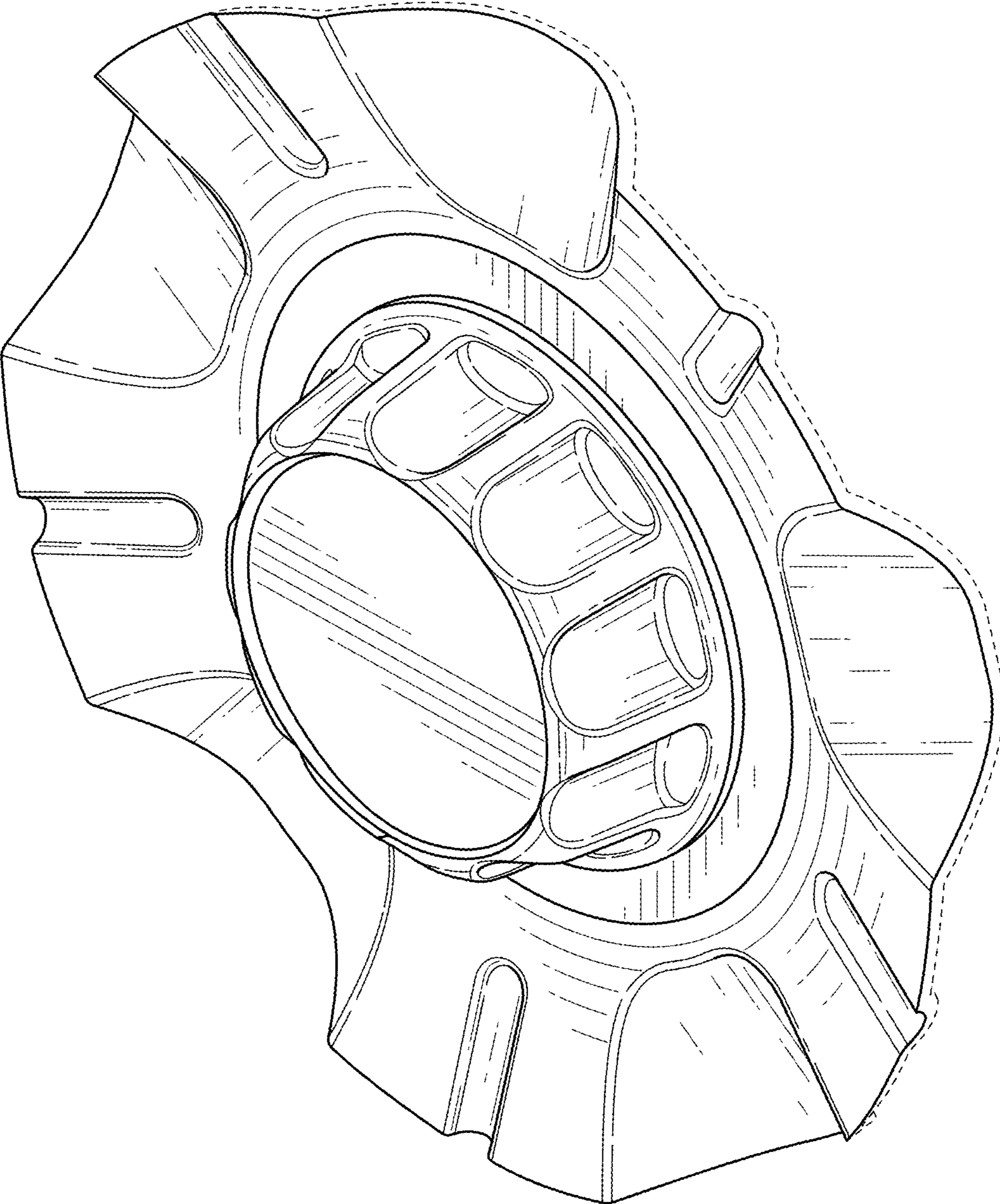


FIG. 1

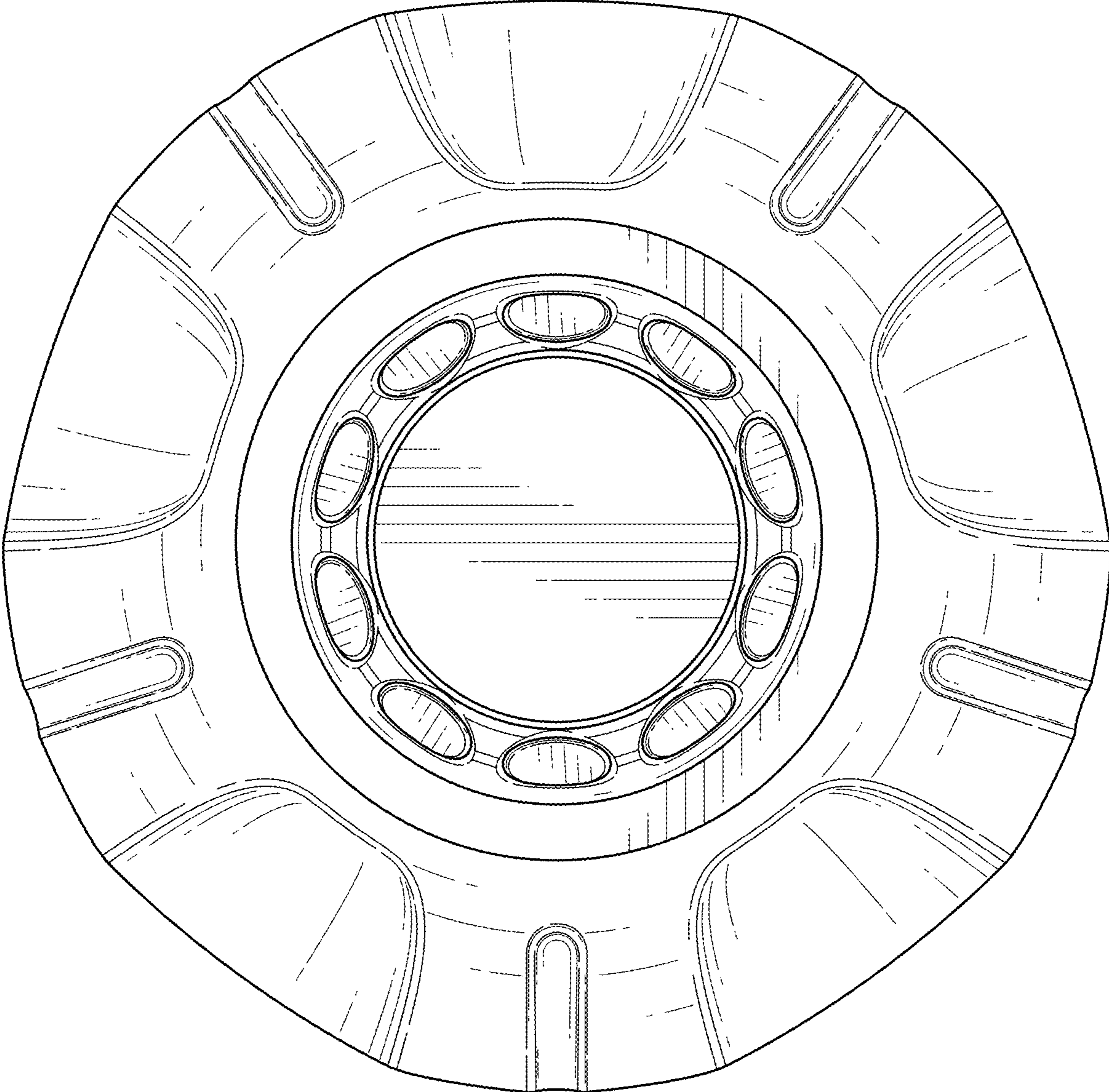


FIG. 2